



US00D487394S

(12) **United States Design Patent**
Romita

(10) **Patent No.:** **US D487,394 S**

(45) **Date of Patent:** **** Mar. 9, 2004**

(54) **BRACEHEAD**

D252,365 S * 7/1979 Durham, III D8/382
D392,555 S * 3/1998 Glickman et al. D8/382

(75) Inventor: **Len T. Romita**, Concord (CA)

* cited by examiner

(73) Assignee: **Len Star Welding & Fabricators Limited**, Concord (CA)

Primary Examiner—Holly Baynham
(74) *Attorney, Agent, or Firm*—Riches, McKenzie & Herbert LLP

(**) Term: **14 Years**

(21) Appl. No.: **29/180,677**

(57) **CLAIM**

(22) Filed: **Apr. 30, 2003**

I claim the ornamental design for a bracehead, as shown.

(30) **Foreign Application Priority Data**

DESCRIPTION

Nov. 1, 2002 (CA) 101094

FIG. 1—is a perspective view of a new bracehead showing my new design.

(51) **LOC (7) Cl.** **08-08**

FIG. 2—is side elevational view thereof.

(52) **U.S. Cl.** **D8/382**

FIG. 3—is front elevational view thereof.

(58) **Field of Search** D8/382; D25/68;
403/403, 205, 231, 170, 172

FIG. 4—is side elevational view thereof being the opposite side of FIG. 2.

(56) **References Cited**

FIG. 5—is a rear elevational view thereof.

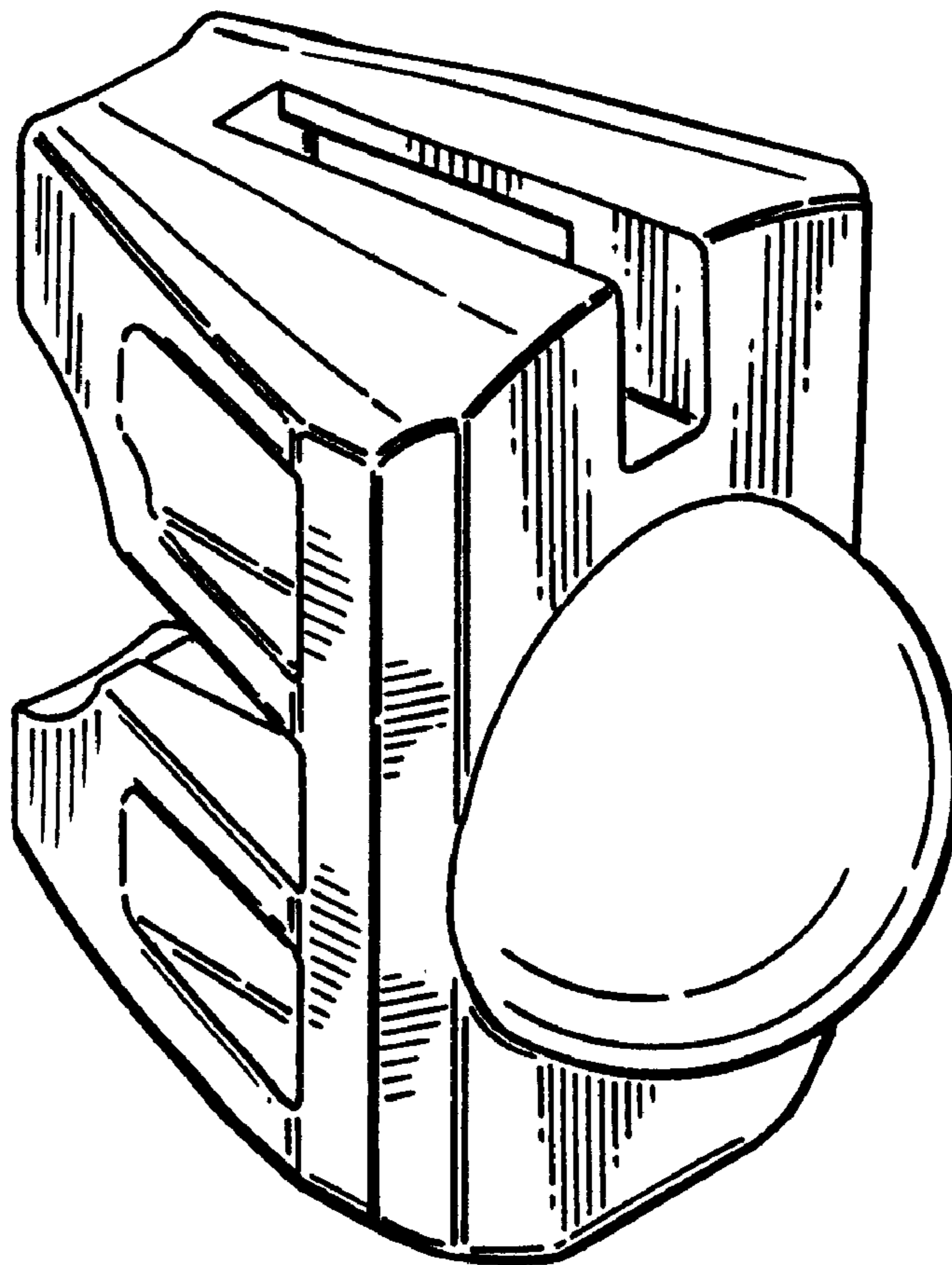
U.S. PATENT DOCUMENTS

FIG. 6—is a bottom view thereof; and,

3,901,609 A * 8/1975 Gostling 403/49

FIG. 7—is a top view thereof.

1 Claim, 2 Drawing Sheets



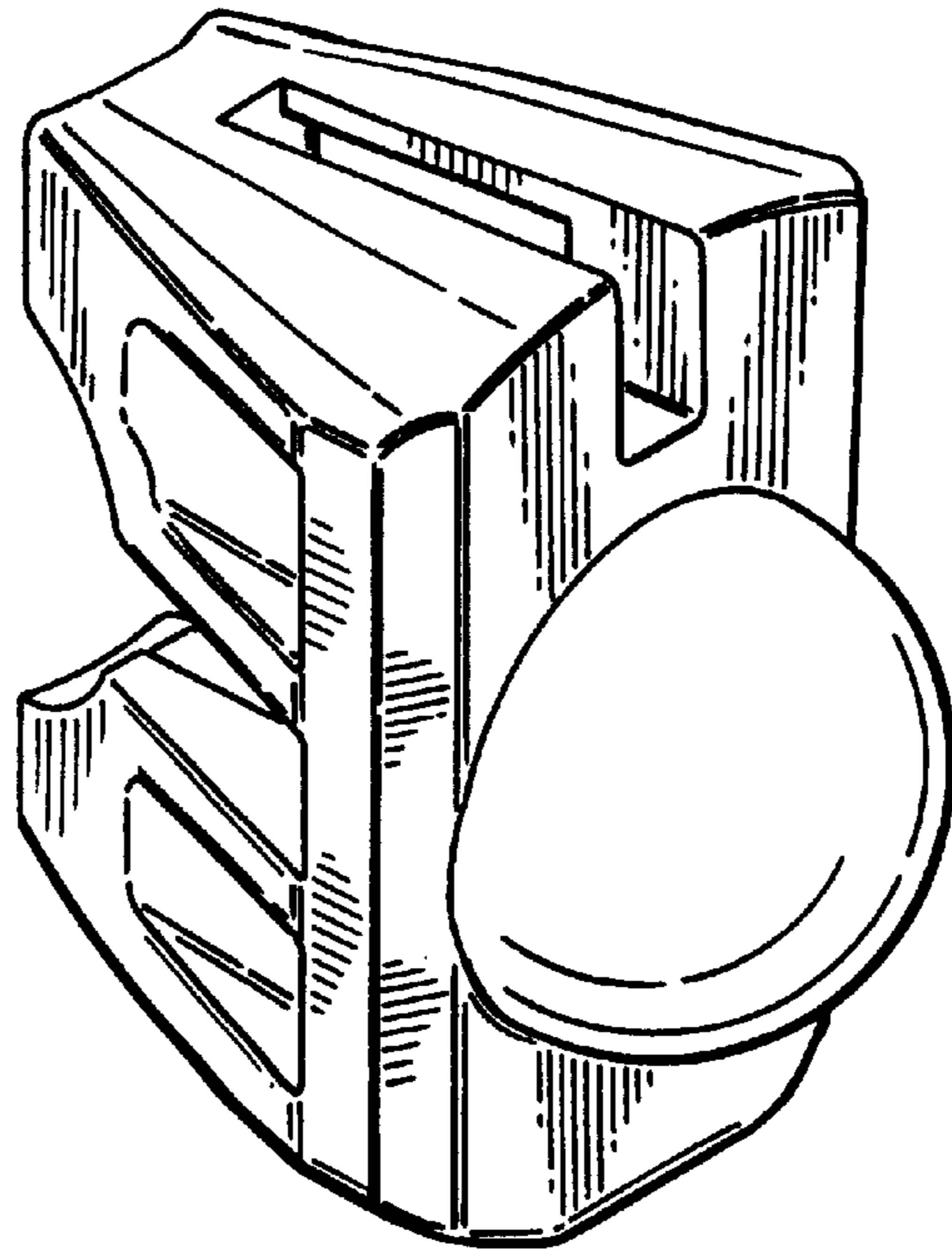


FIG. 1.

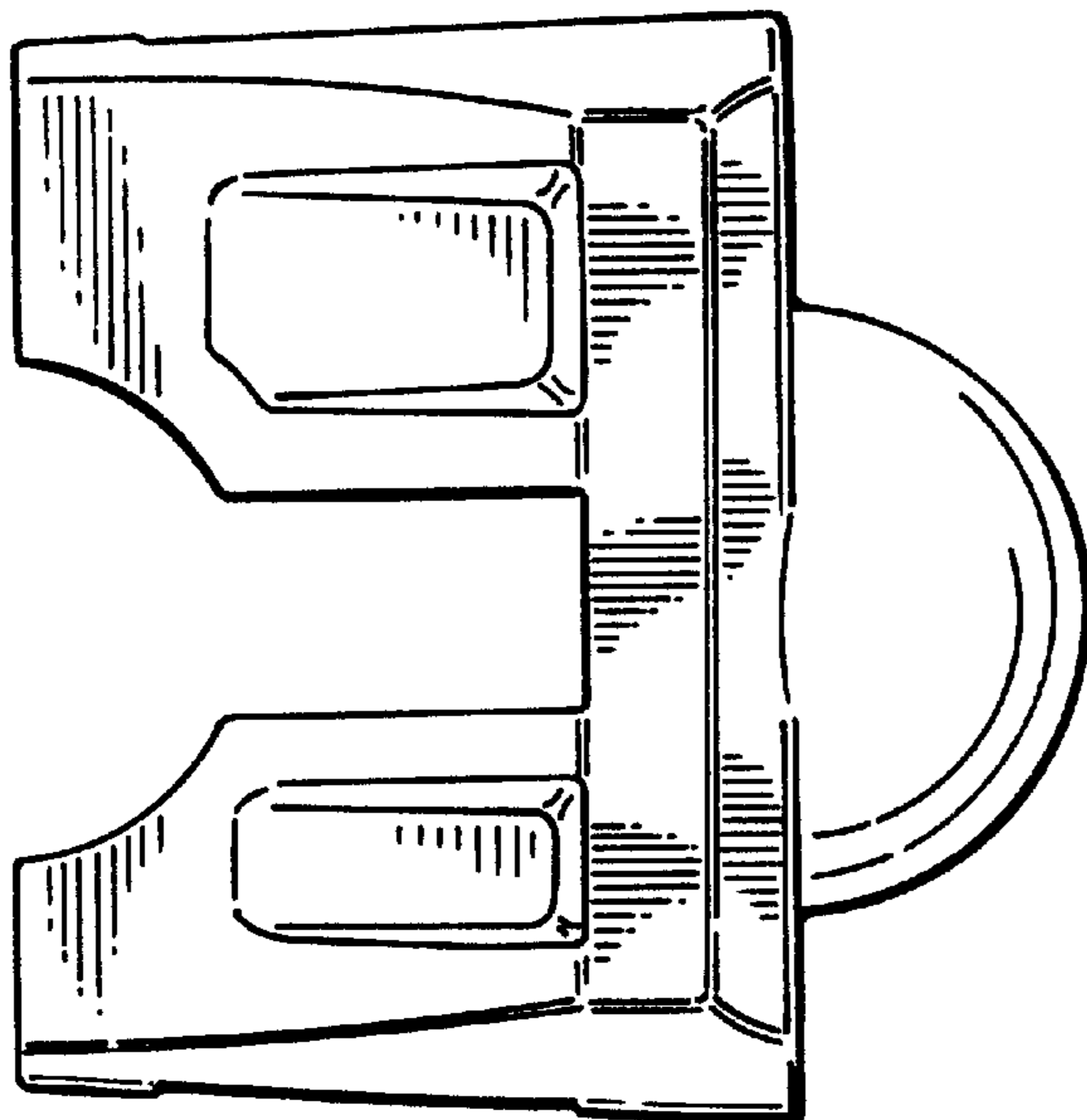


FIG. 2.

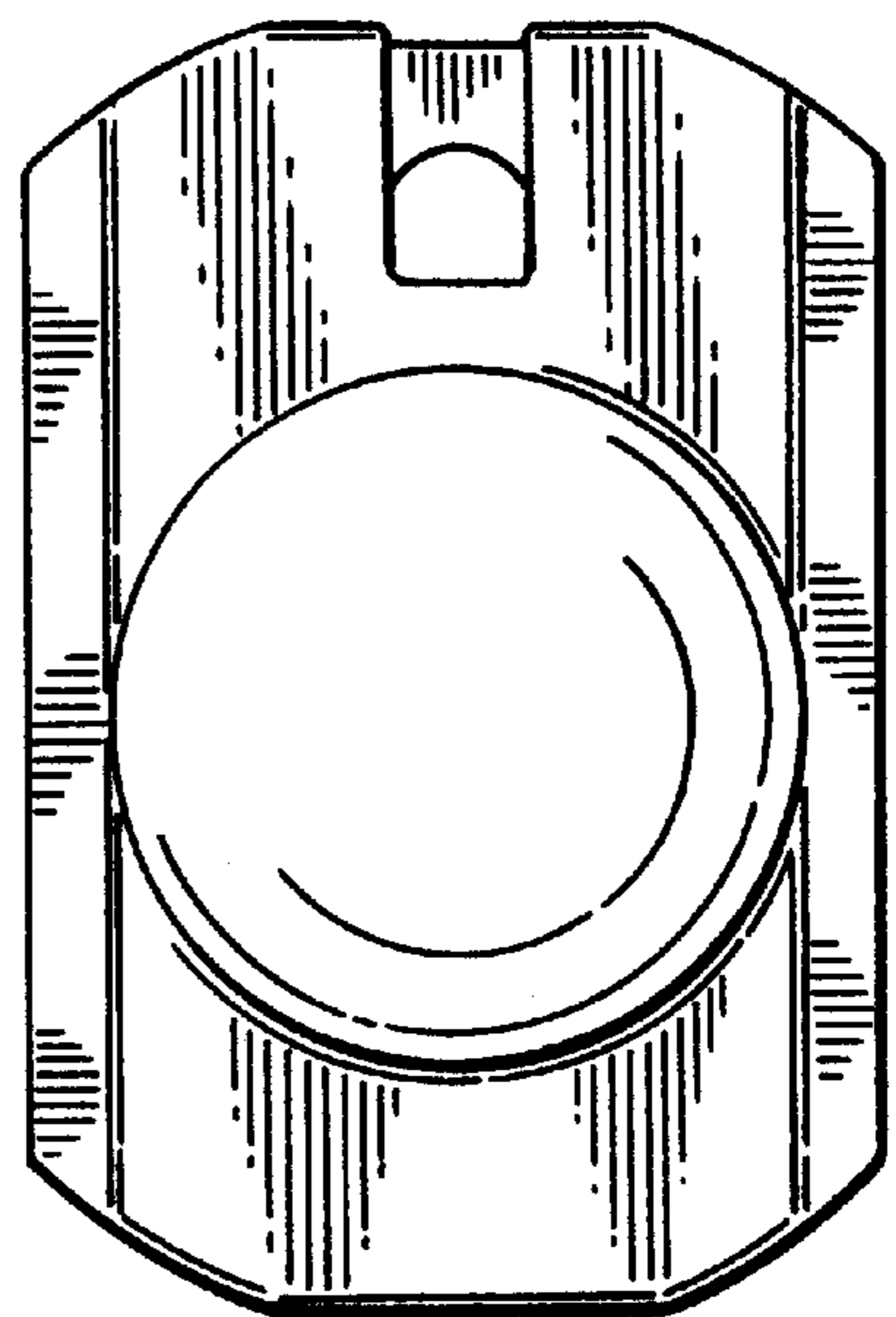


FIG. 3.

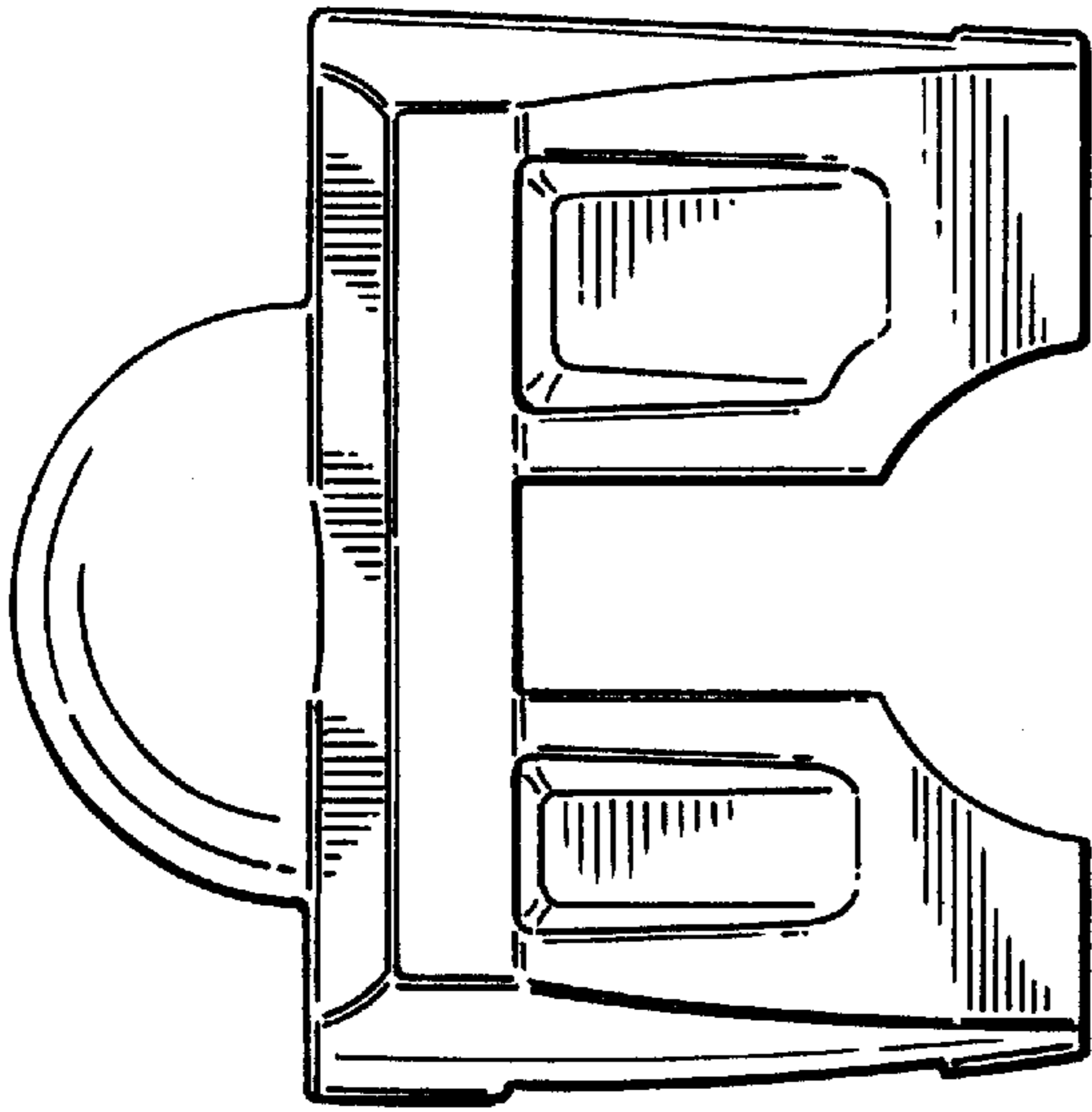


FIG. 4.

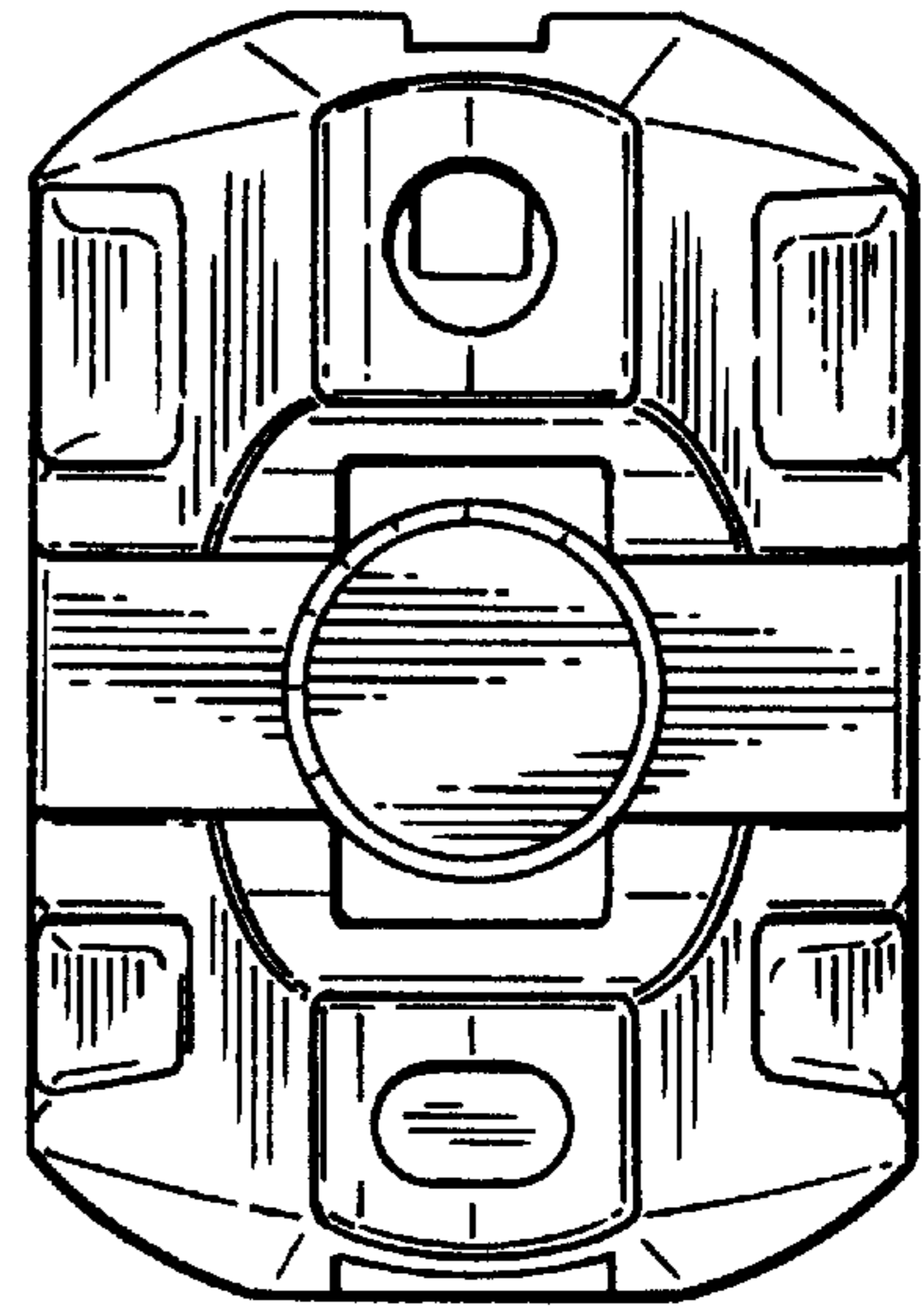


FIG. 5.

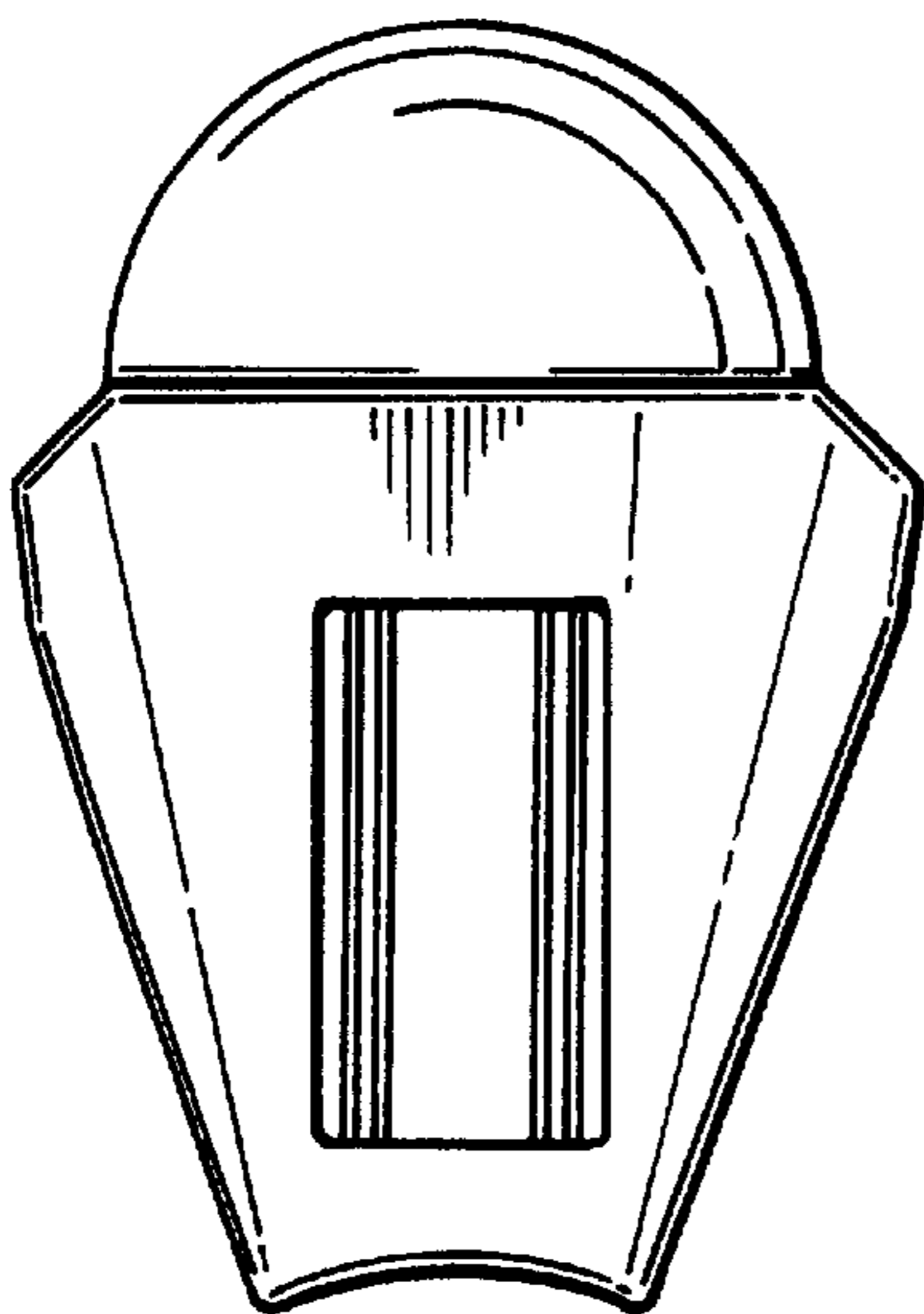


FIG. 6.

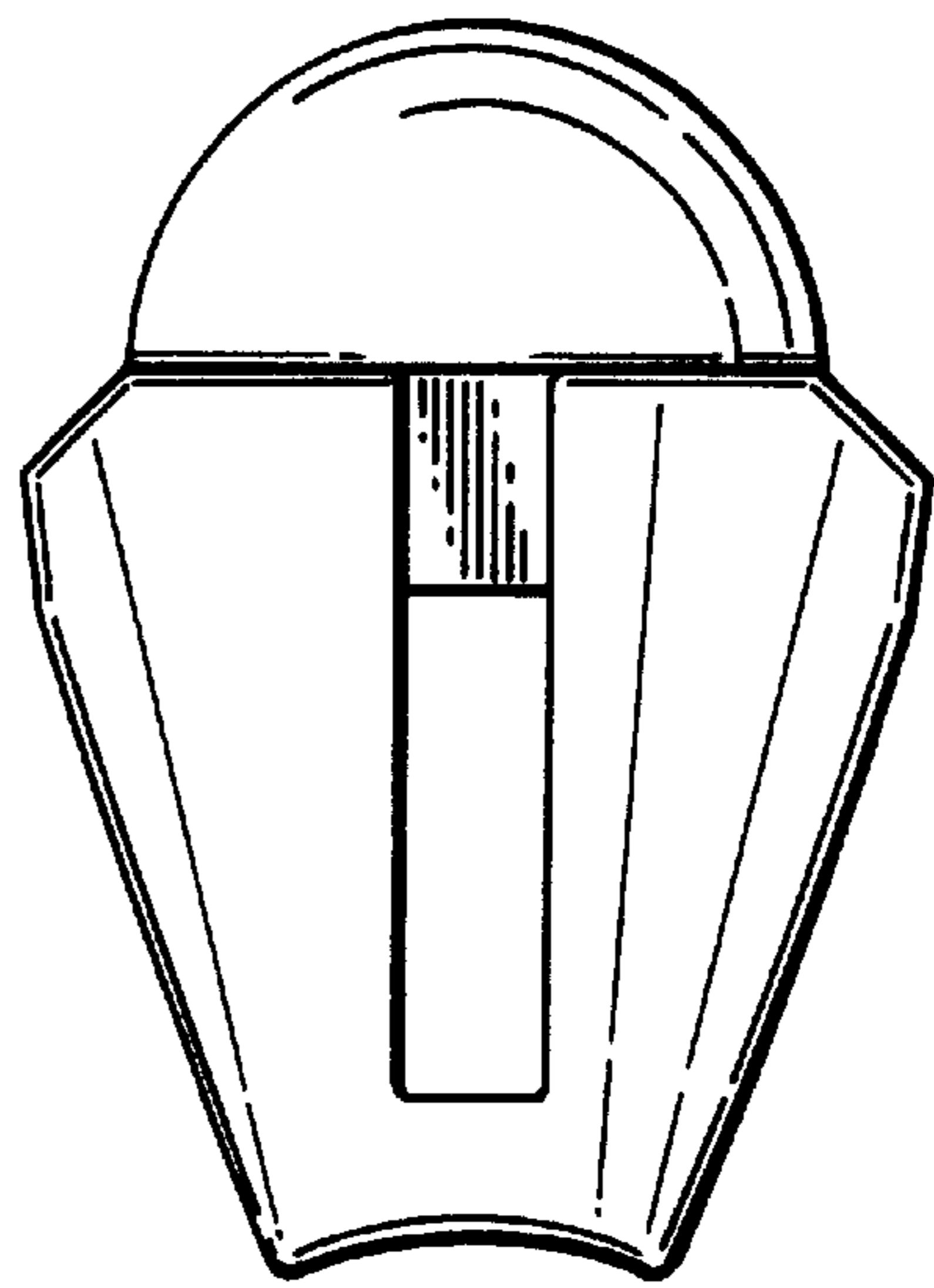


FIG. 7.