



US00D487393S

(12) **United States Design Patent**  
**Blackstone**

(10) **Patent No.:** **US D487,393 S**

(45) **Date of Patent:** **\*\* Mar. 9, 2004**

(54) **CARPET ROD BRACKET—FINIAL ASSEMBLY**

(74) *Attorney, Agent, or Firm*—James J. Murphy, Esq.; Winstead Sechrest & Minick, P.C.

(76) **Inventor:** **Warren Blackstone**, 1401 Oak Lawn Ave., Dallas, TX (US) 75207

(57) **CLAIM**

The ornamental design for a carpet rod bracket-finial assembly, as shown and described.

(\*\*) **Term:** **14 Years**

**DESCRIPTION**

(21) **Appl. No.:** **29/177,428**

FIG. 1 is a perspective view of a carpet rod bracket-finial assembly suitable for engaging a carpet rod, according to one embodiment of the inventive ornamental design; FIG. 2 is a front elevational view of the assembly of FIG. 1; FIG. 3 is a side elevational view of a first side of the assembly of FIG. 1; FIG. 4 is a side elevational view of a second side of the assembly of FIG. 1; FIG. 5 is a bottom plan view of the assembly of FIG. 1; FIG. 6 is a top plan view of the assembly of FIG. 1; and, FIG. 7 is a bottom plan view of a first alternate embodiment of the bracket-finial assembly ornamental design according to the invention.

(22) **Filed:** **Mar. 10, 2003**

(51) **LOC (7) Cl.** ..... **08-05**

(52) **U.S. Cl.** ..... **D8/380; D8/378**

(58) **Field of Search** ..... **D8/378, 376, 380; 16/12**

The broken line showing of a portion of a stair and a rod is for illustrative purposes only and forms no part of the claimed design.

(56) **References Cited**

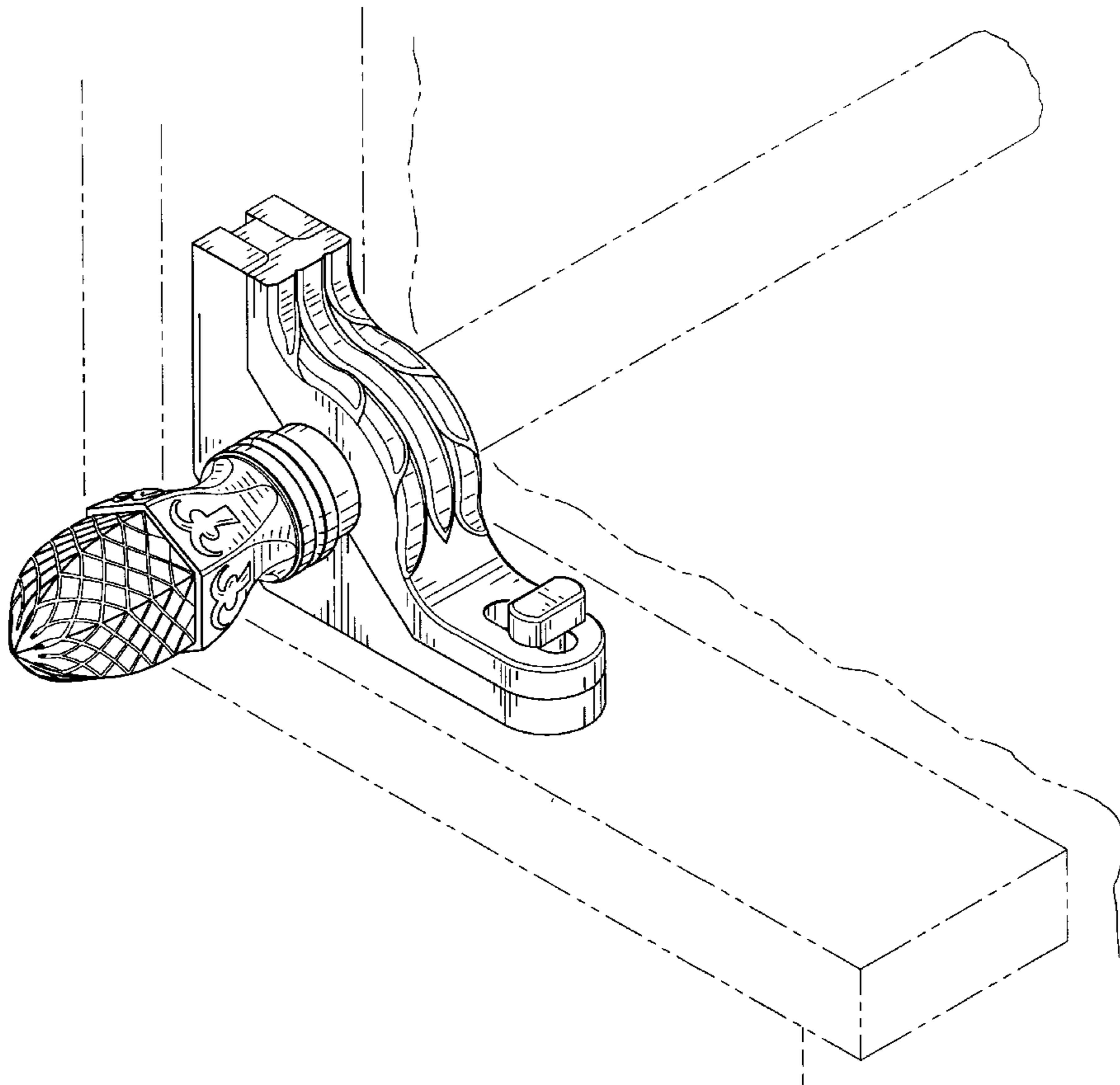
**U.S. PATENT DOCUMENTS**

D230,950 S	*	3/1974	Moon	.....	D8/378
D342,437 S	*	12/1993	Prezner	.....	D8/380
D389,039 S	*	1/1998	Smiley et al.	.....	D8/376
D404,993 S	*	2/1999	Jaggi	.....	D8/378
5,960,516 A	*	10/1999	Zoroufy et al.	.....	16/12

\* cited by examiner

*Primary Examiner*—Holly Baynham

**1 Claim, 3 Drawing Sheets**



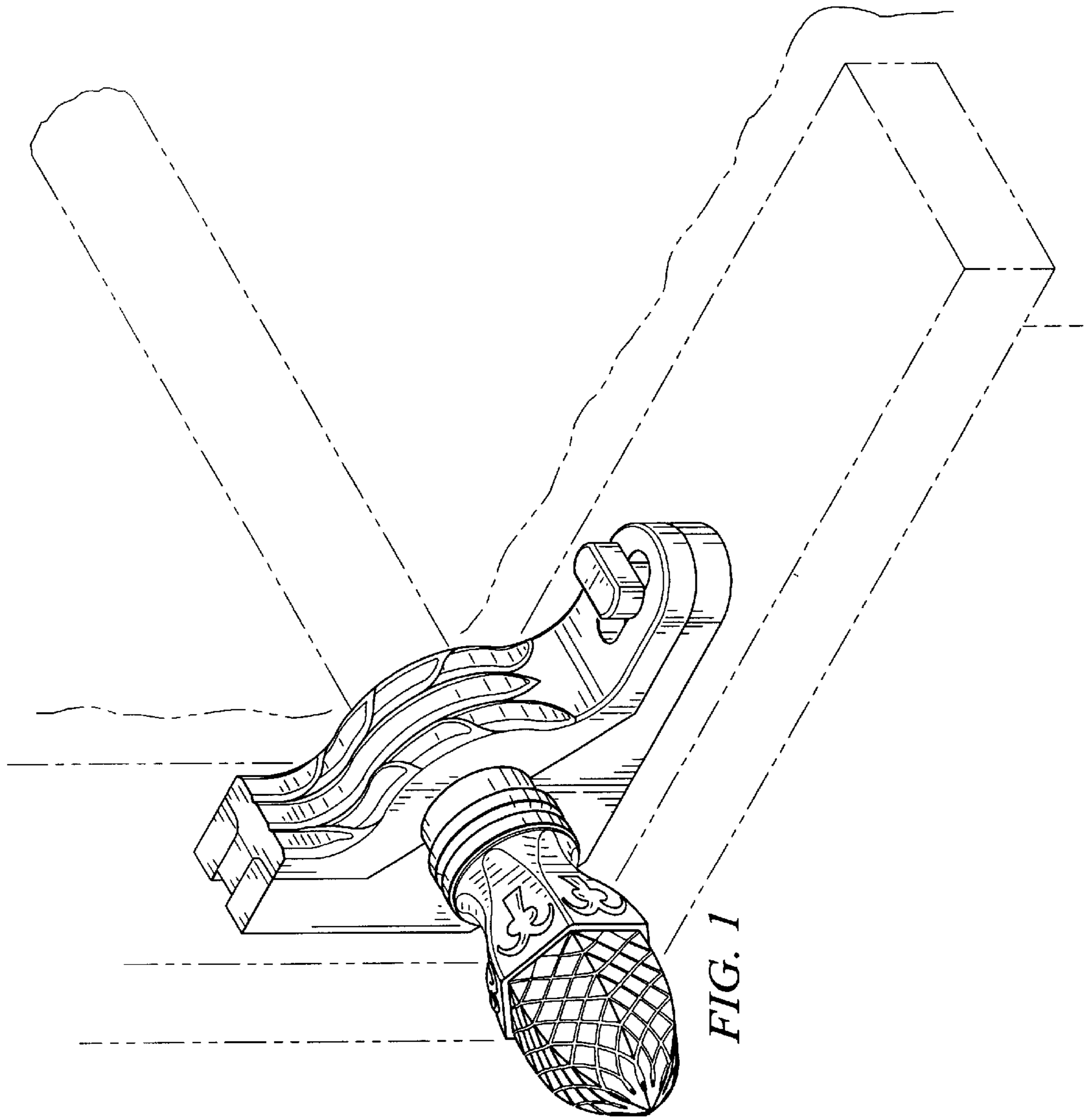


FIG. 1

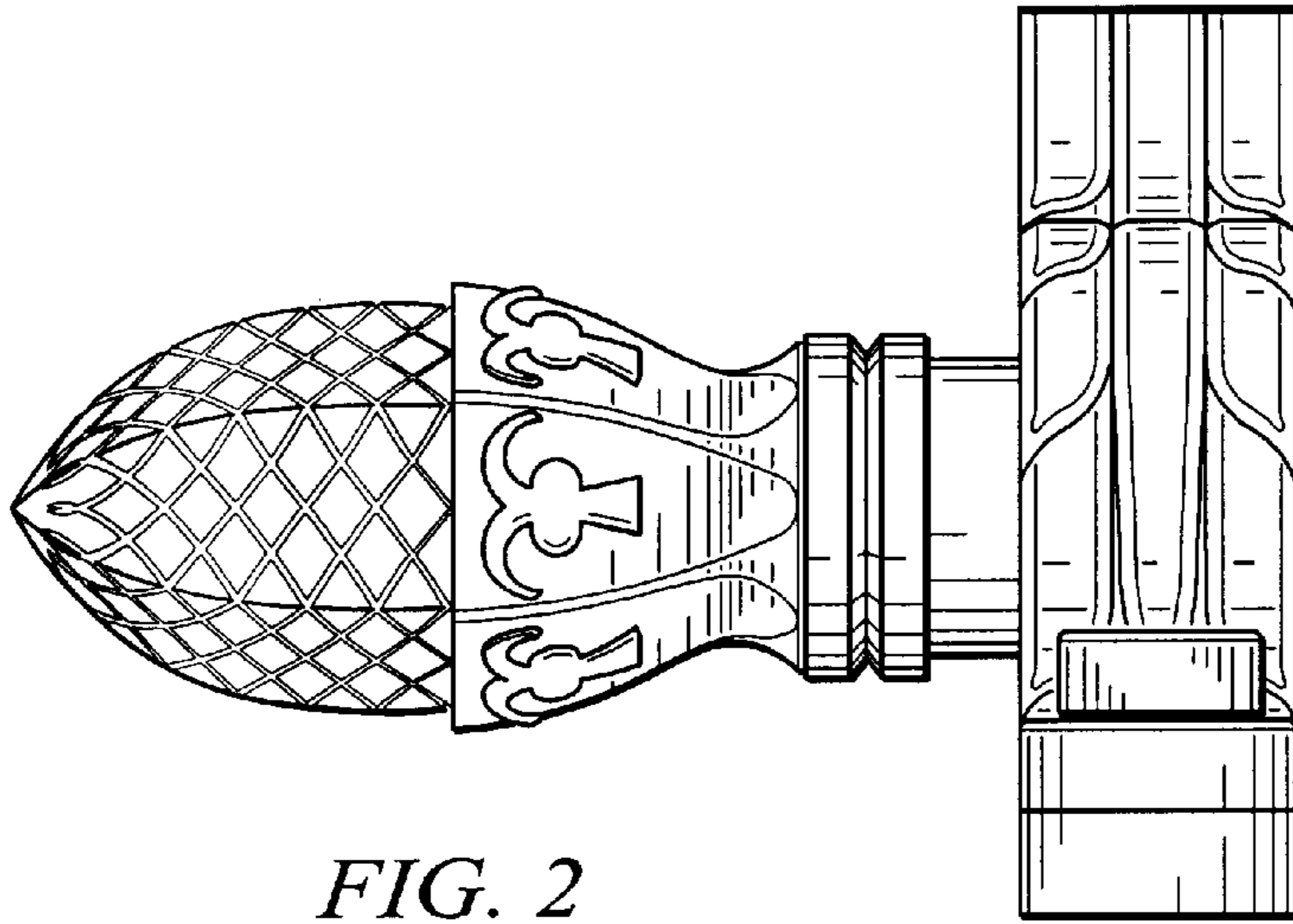


FIG. 2

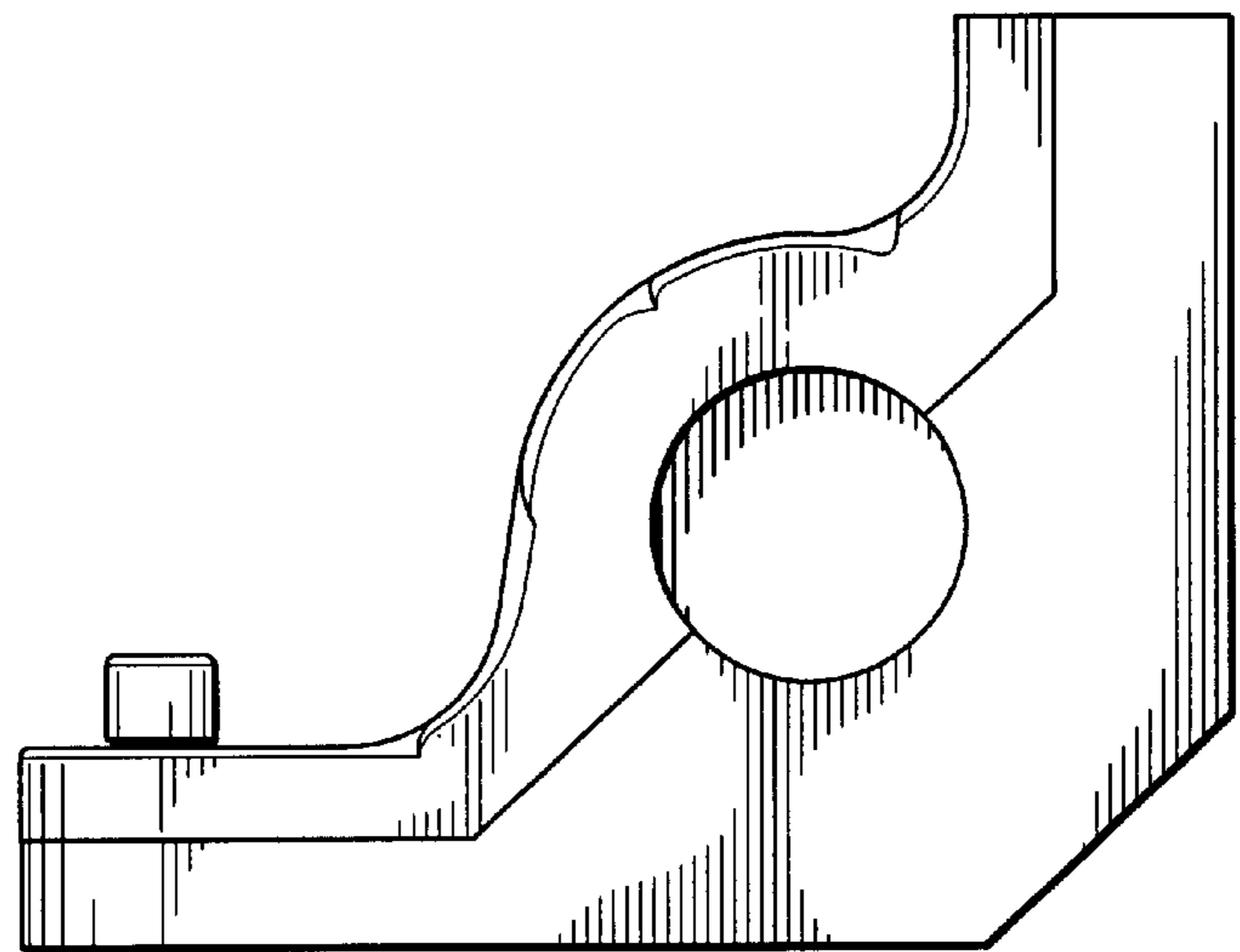


FIG. 3

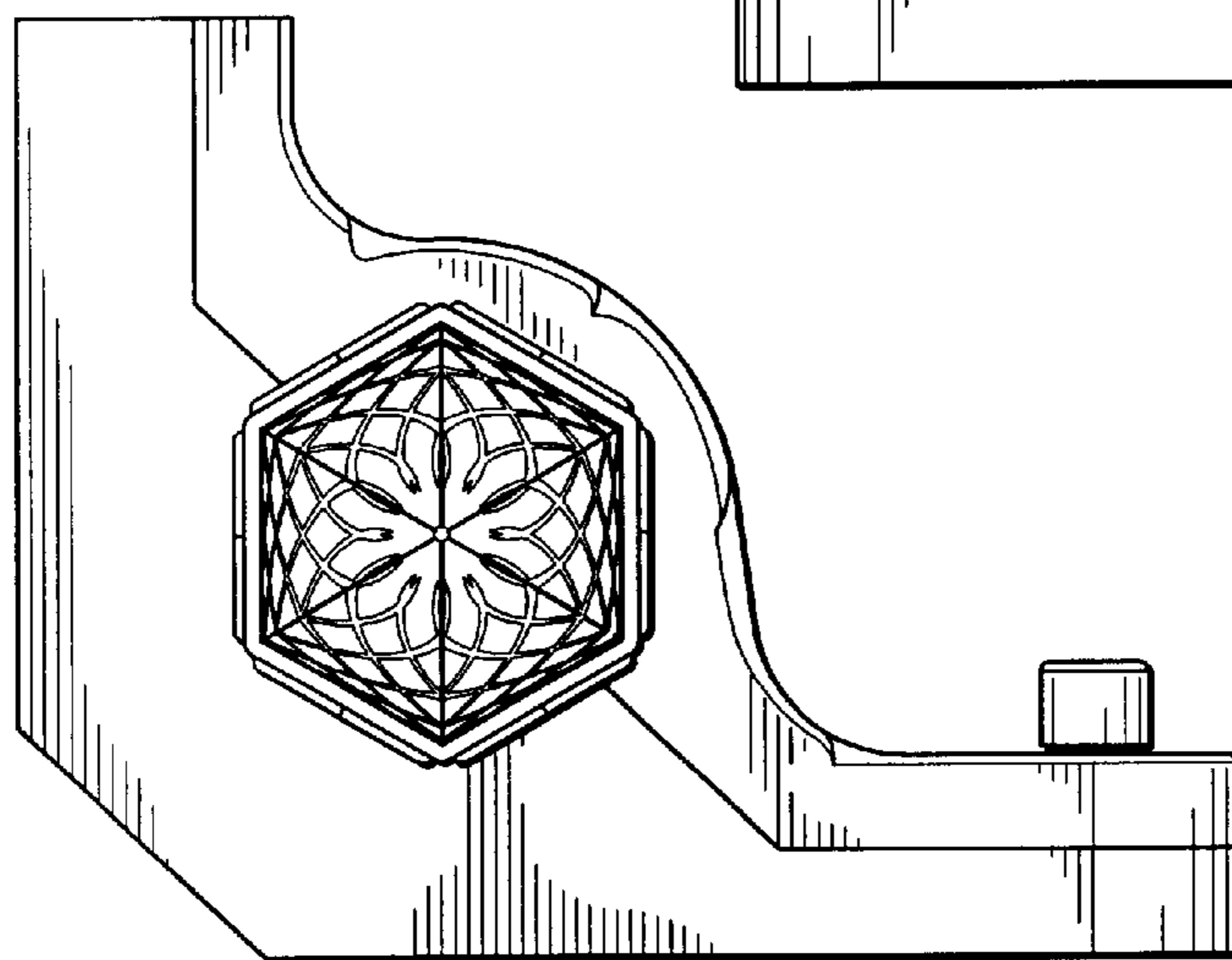


FIG. 4

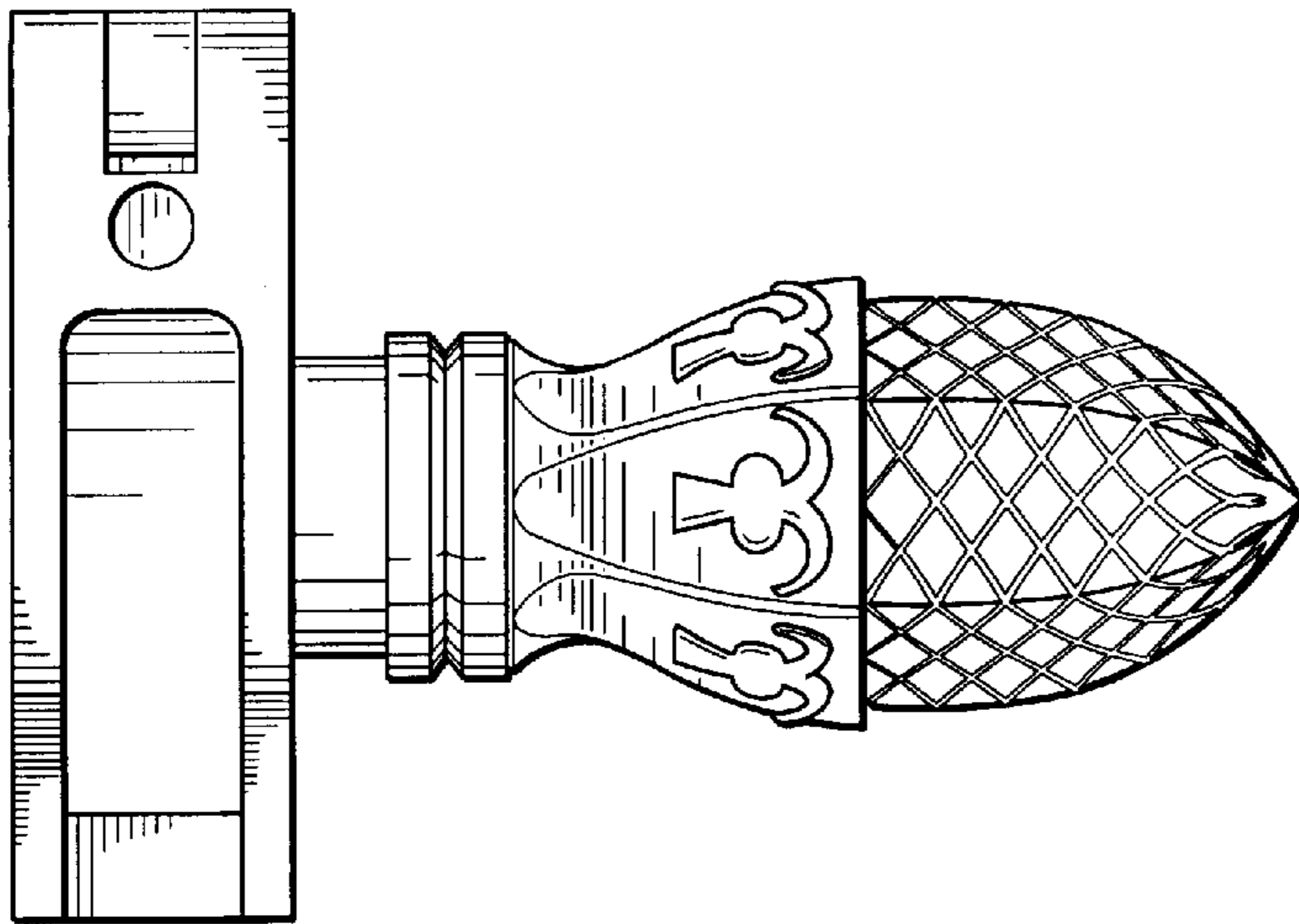


FIG. 5

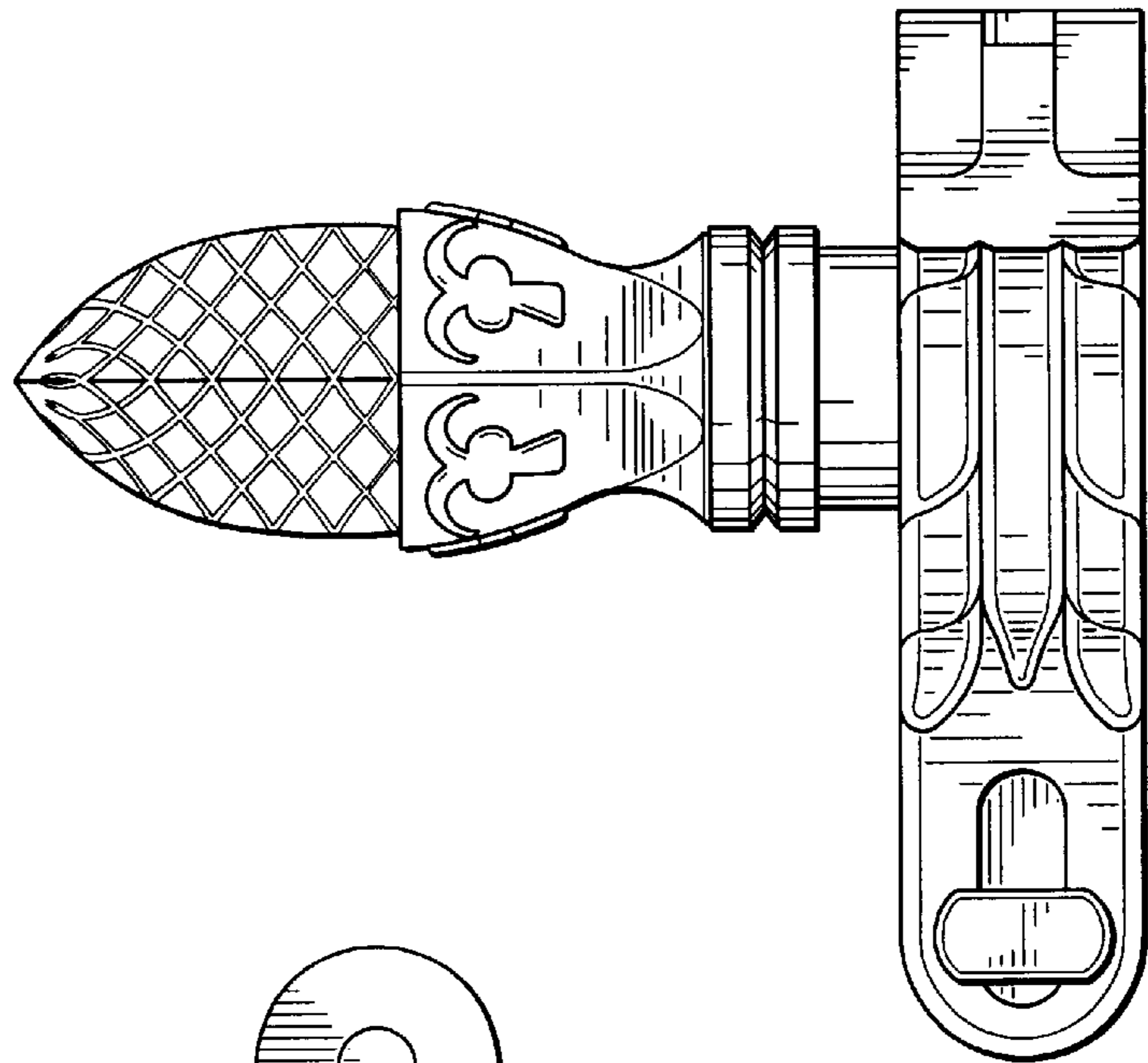


FIG. 6

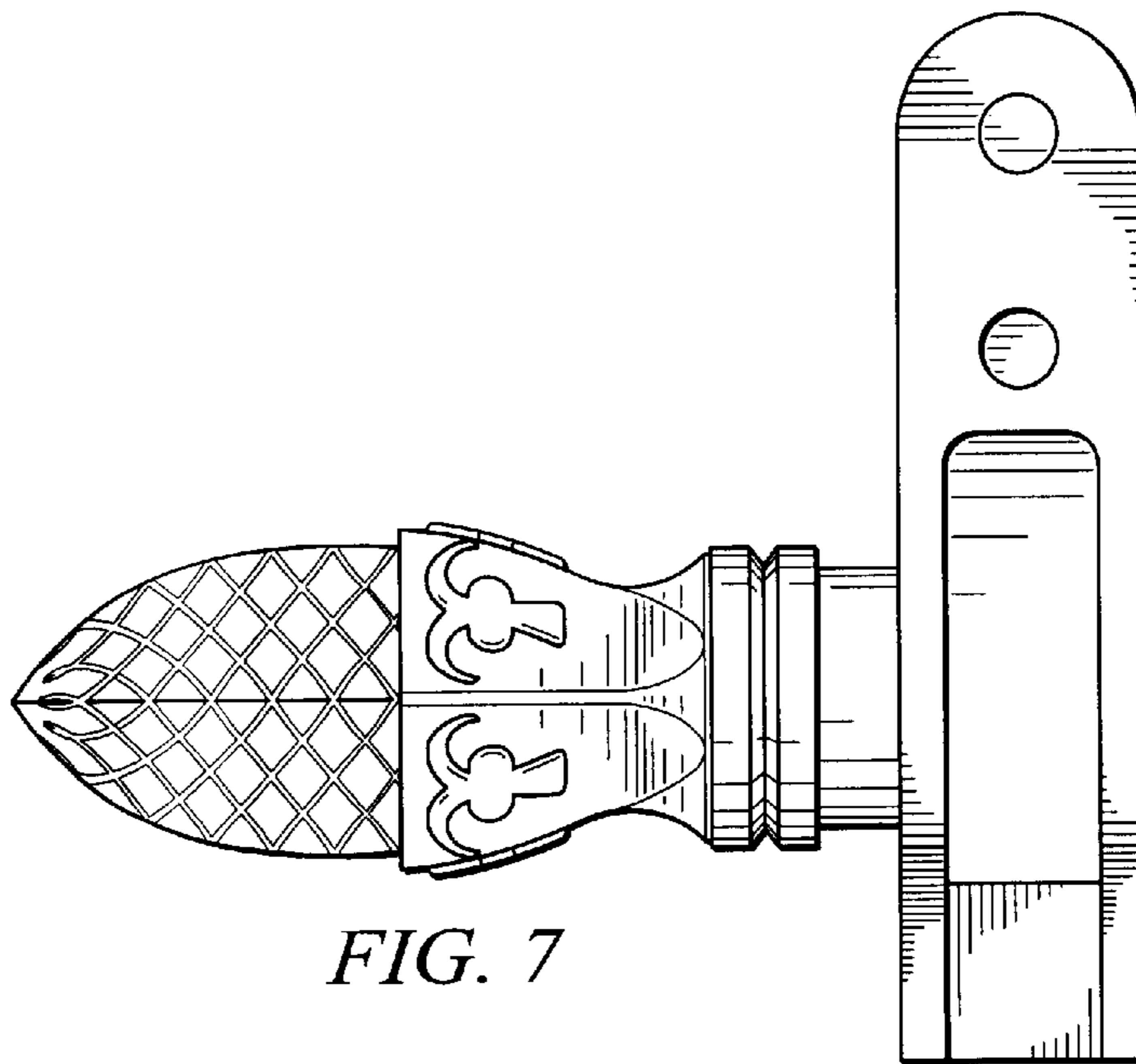


FIG. 7