



US00D487389S

(12) **United States Design Patent**
Doustou, Jr.

(10) **Patent No.:** **US D487,389 S**
(45) **Date of Patent:** **** Mar. 9, 2004**

(54) **AUTOMOBILE HUBCAP ANTI-THEFT DEVICE**

(76) **Inventor:** **Steven J. Doustou, Jr.**, 198 Peacedale St., Bristol, CT (US) 06010

(**) **Term:** **14 Years**

(21) **Appl. No.:** **29/172,404**

(22) **Filed:** **Dec. 12, 2002**

(51) **LOC (7) Cl.** **08-07**

(52) **U.S. Cl.** **D8/343**; D8/499

(58) **Field of Search** D8/330, 331, 343-346, D8/349, 356, 499; 70/14, 30, 57.1, 57, 51, 52, 49, 225, 258, 259, 260, 431

(56) **References Cited**

U.S. PATENT DOCUMENTS

1,403,385 A	1/1922	Burt	
1,592,785 A *	7/1926	Soley	70/260
1,662,294 A *	3/1928	Bettinardi	70/260
2,568,430 A	9/1951	Casabianca	
2,695,195 A	11/1954	O'Day	
3,004,798 A	10/1961	Tylle	
4,792,191 A	12/1988	Farmer	
4,947,151 A	8/1990	Rosenberger	
4,969,342 A *	11/1990	Marchiori	70/259
5,333,477 A	8/1994	Davis	
5,410,897 A	5/1995	Edmondson	
5,552,759 A	9/1996	Stoyka	

5,598,142 A	1/1997	Winner, Jr.	
5,856,782 A *	1/1999	Sasagawa et al.	70/57.1
D447,404 S *	9/2001	Kim	D8/331
6,401,502 B1 *	6/2002	Yang	70/30
D476,223 S *	6/2003	Vito	D8/499
D477,989 S *	8/2003	Vito	D8/499

* cited by examiner

Primary Examiner—Prabhakar Deshmukh

(74) *Attorney, Agent, or Firm*—Donald R. Schoonover

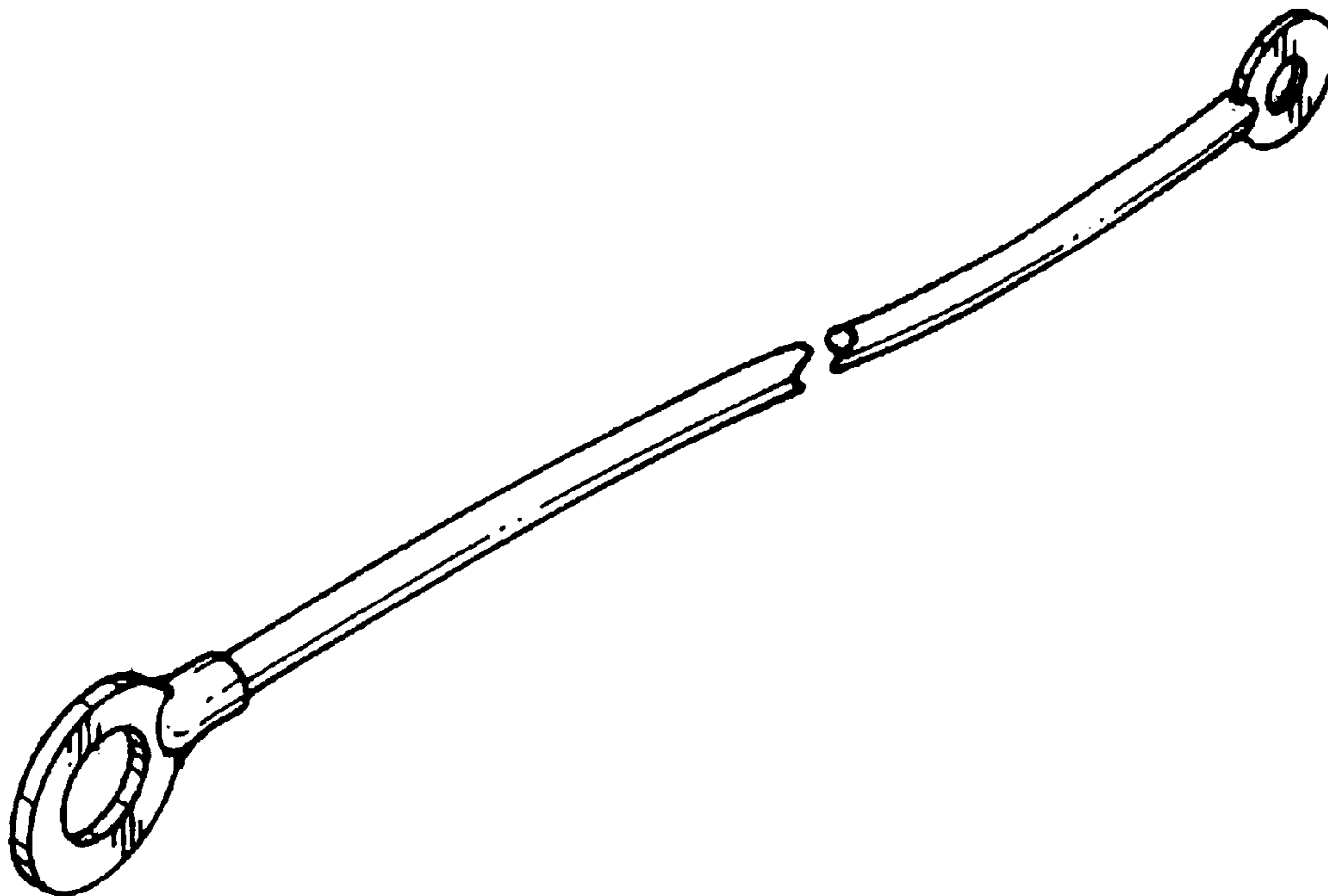
(57) **CLAIM**

The ornamental design for an automobile hubcap anti-theft device, as shown and described.

DESCRIPTION

FIG. 1 is a perspective view of an automobile hubcap anti-theft device showing my new design; FIG. 2 is a top plan view thereof, the bottom plan view being a mirror image thereof; FIG. 3 is an end elevational view thereof; FIG. 4 is an elevational view of the opposite end thereof; FIG. 5 is a side elevational view thereof, the opposite side elevational view being a mirror image thereof; and, FIG. 6 is a reduced side elevational view showing the automobile hubcap anti-theft device in use; the broken lines show environmental structure for illustrative purposes only and form no part of the claimed design.

1 Claim, 2 Drawing Sheets



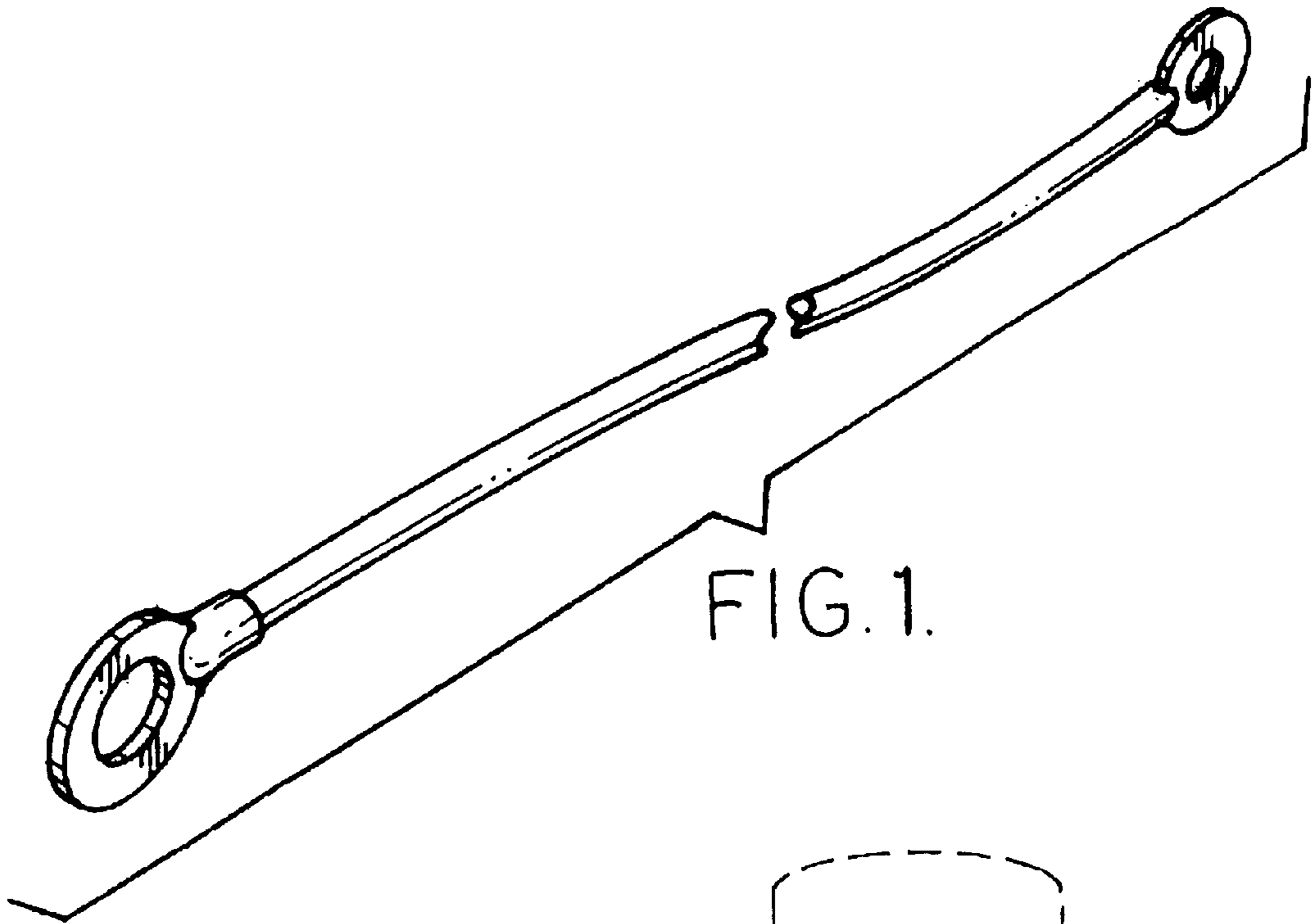
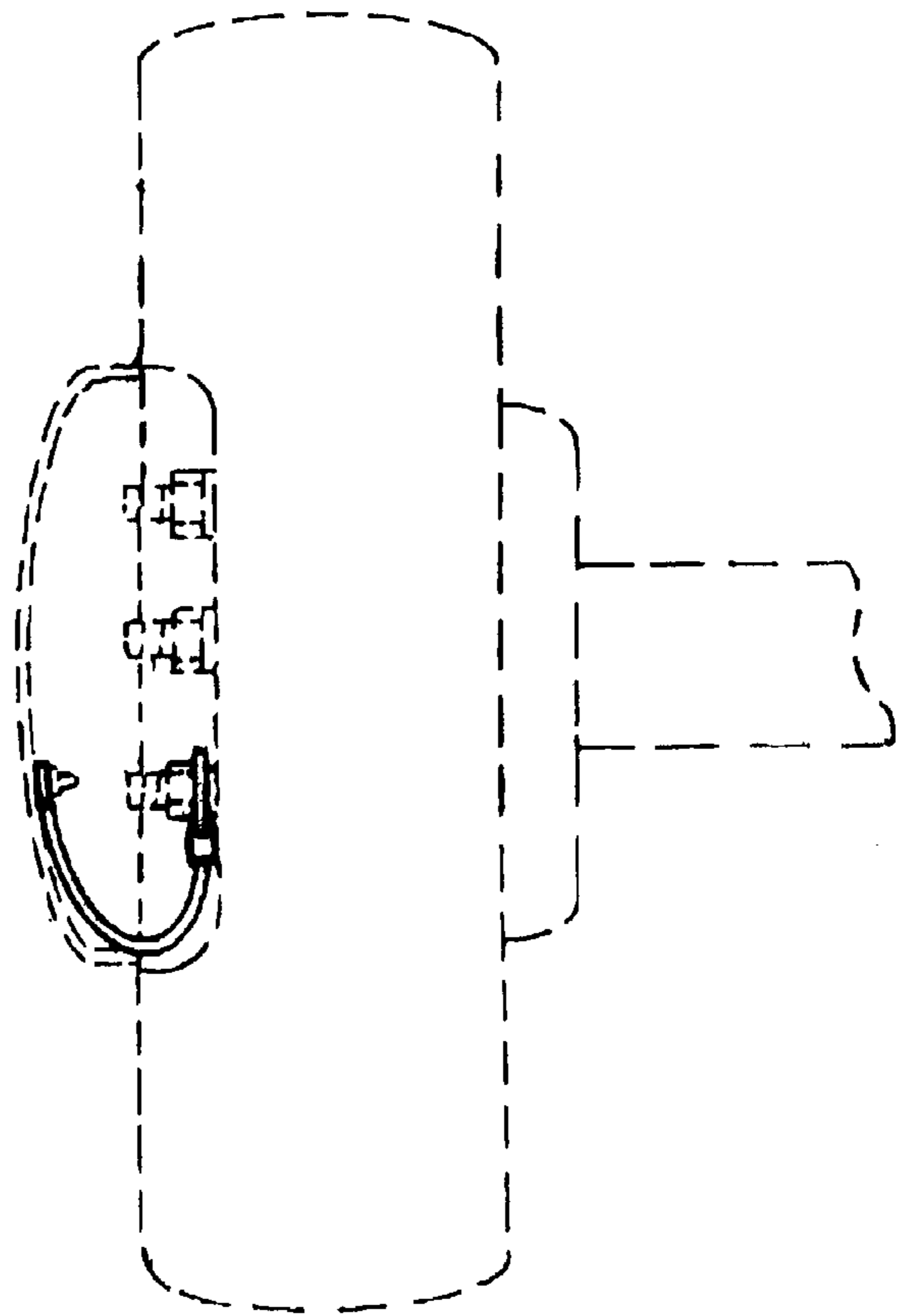


FIG. 6.



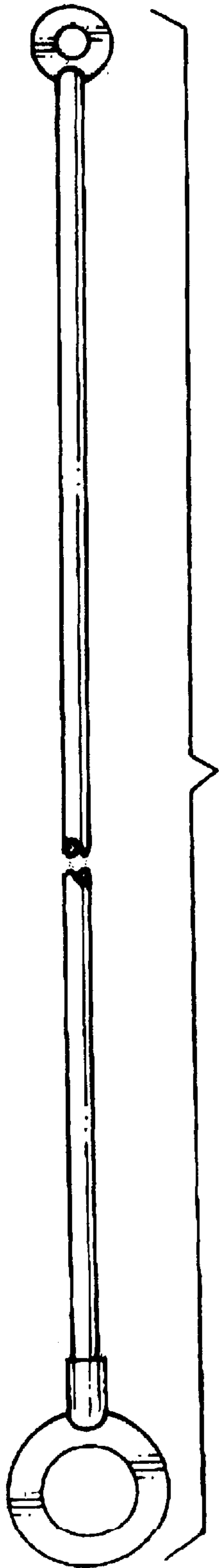


FIG. 2.



FIG. 5.



FIG. 4.



FIG. 3.