



US00D487386S

(12) **United States Design Patent**
Clivio

(10) **Patent No.:** **US D487,386 S**
(45) **Date of Patent:** **** Mar. 9, 2004**

(54) **CUTTING HEAD**

D443,806 S * 6/2001 Fladgard et al. D8/61
D464,542 S * 10/2002 Clivio D8/5

(75) **Inventor:** **Franco Clivio**, Erlenbach (CH)

(73) **Assignee:** **Gardena Manufacturing GmbH** (DE)

(**) **Term:** **14 Years**

(21) **Appl. No.:** **29/155,743**

(22) **Filed:** **Feb. 15, 2002**

(30) **Foreign Application Priority Data**

Aug. 17, 2001 (DE) 4 01 07 246

(51) **LOC (7) Cl.** **08-03**

(52) **U.S. Cl.** **D8/70; D8/5**

(58) **Field of Search** D8/70, 5.57, 61,
D8/68, 69, 107; 7/135; 30/145, 215, 223,
225, 228, 232, 252, 253, 254, 262; 452/149

(56) **References Cited**

U.S. PATENT DOCUMENTS

2,490,086 A	*	12/1949	Page	D8/61
2,631,369 A	*	3/1953	Carnesecca, Jr.	30/228
D197,987 S	*	4/1964	Docken	D8/68
D209,442 S	*	11/1967	Greene	D8/69
D217,705 S	*	6/1970	Glaus	30/228
D221,128 S	*	7/1971	Current	D8/61
D223,987 S	*	6/1972	Gamble	30/228
3,676,928 A	*	7/1972	Herr et al.	30/228
D226,055 S	*	1/1973	Sumida	D8/61
D248,534 S	*	7/1978	Backstrom et al.	D8/57
D308,809 S	*	6/1990	Kawabata	D8/61
D388,300 S	*	12/1997	Jeltsch	D8/61
D397,923 S	*	9/1998	Herrmann et al.	D8/70
D415,400 S	*	10/1999	Mizutani et al.	D8/69

OTHER PUBLICATIONS

Page 13 from a catalog published by Fiskars Deutschland GmbH, Germany for the years 1997/1988.

Page 8 from a catalog published by Felco SA, Switzerland, Jul. 1998 for the years 1998/1999.

Page 21 from a catalog published by Wolf-Garten GmbH & Co. KG, Germany, Nov. 1999 for the year 2000.

Pages 6-7 and 28-29 from a catalog published by Corona Clipper, Inc., USA, 2000.

Two pages from a catalog published by Fiskars Deutschland GmbH, Germany for the years 2001.

* cited by examiner

Primary Examiner—Doris V. Coles

Assistant Examiner—T. Chase Nelson

(74) *Attorney, Agent, or Firm*—Akerman Senterfitt

(57) **CLAIM**

The ornamental design for a cutting head, as shown and described.

DESCRIPTION

FIG. 1: is a side perspective view of a culting head showing my new design;

FIG. 2: is a top plan view thereof;

FIG. 3: is a side elevation view thereof;

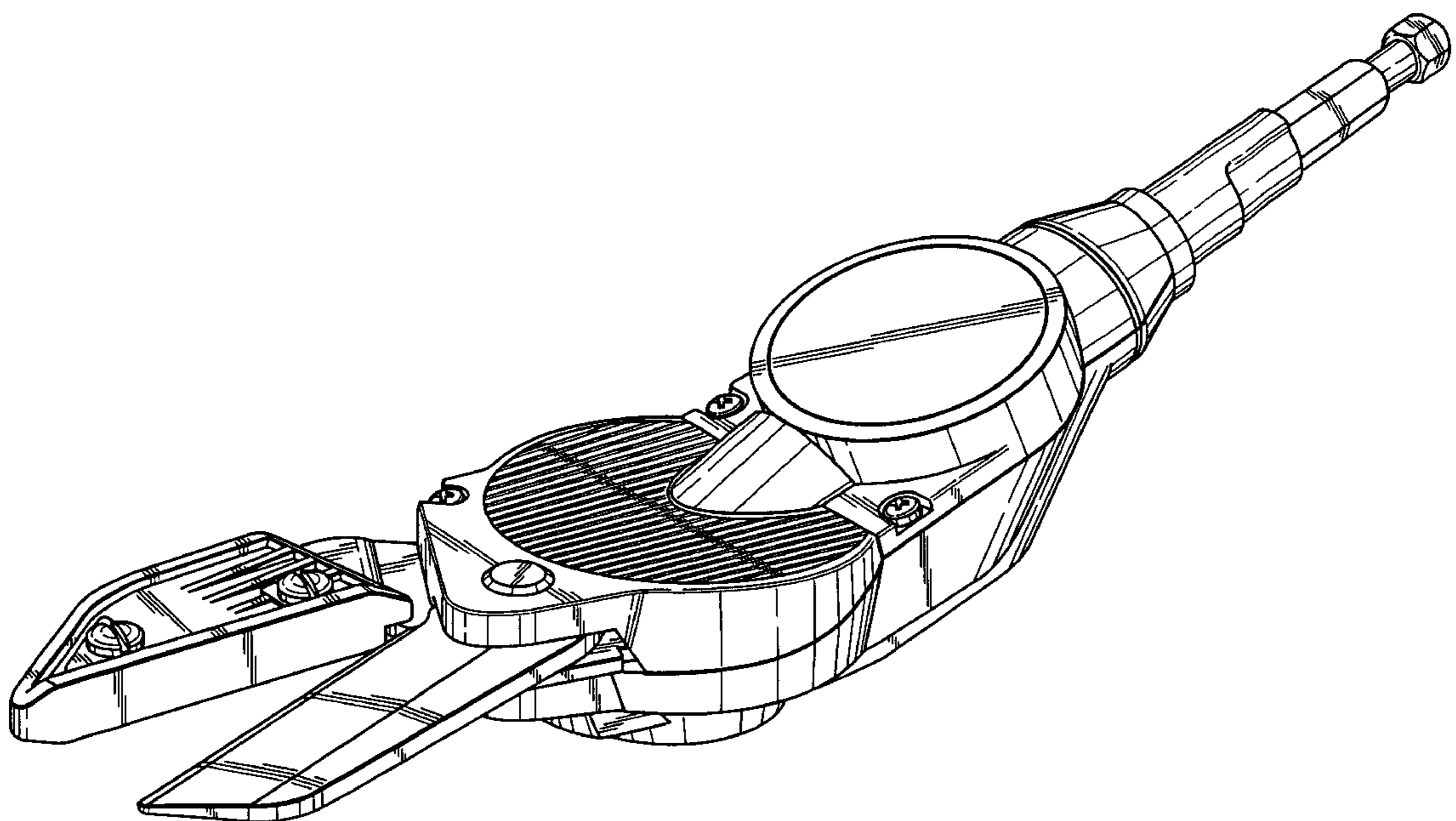
FIG. 4: is a bottom plan view thereof;

FIG. 5: is the opposite side elevation view thereof;

FIG. 6: is a front view thereof; and,

FIG. 7: is a rear elevation view thereof.

1 Claim, 4 Drawing Sheets



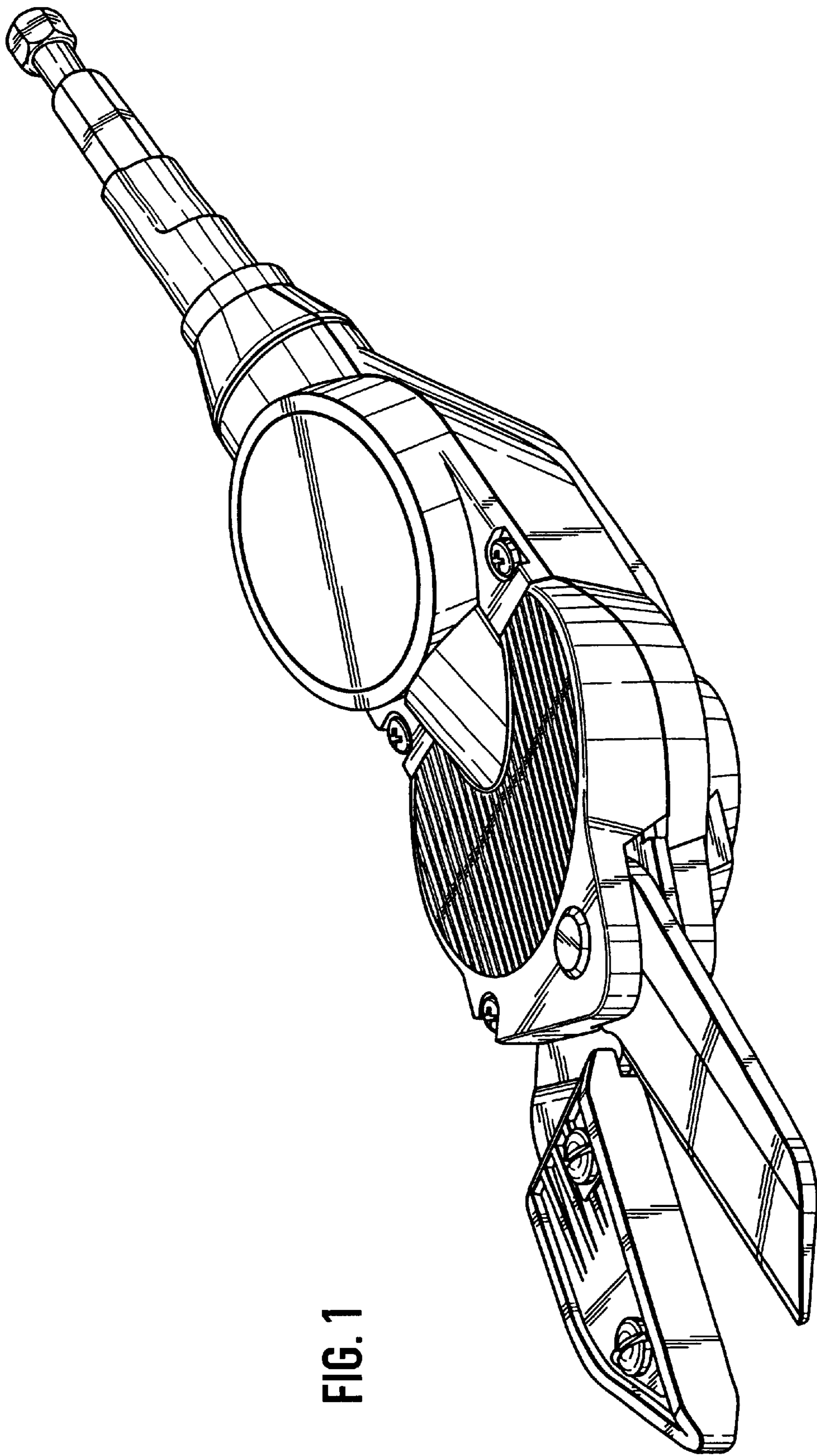


FIG. 1

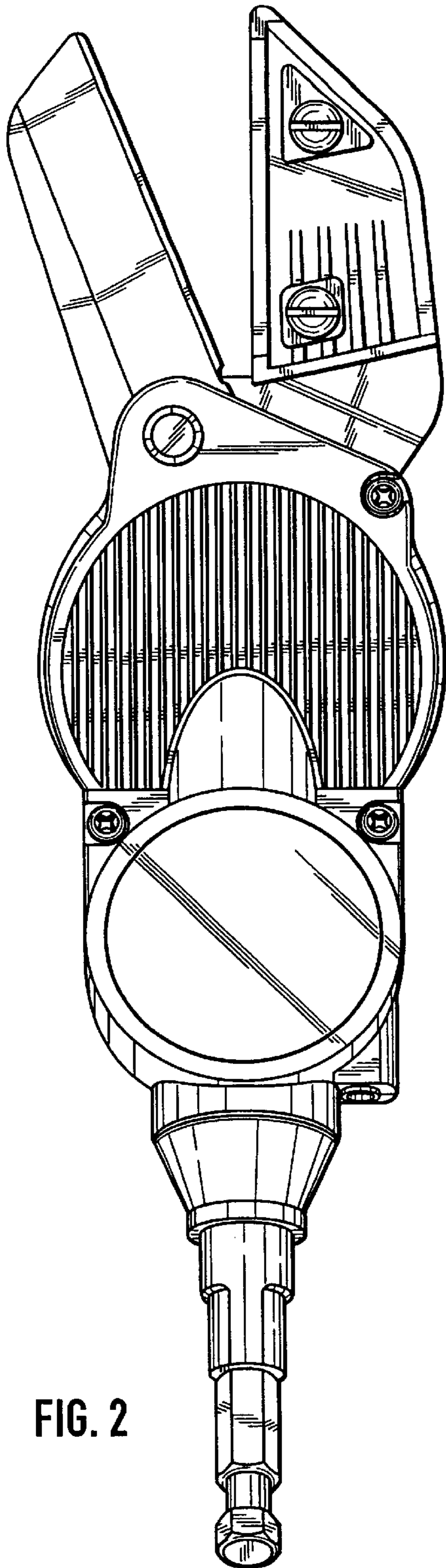


FIG. 2

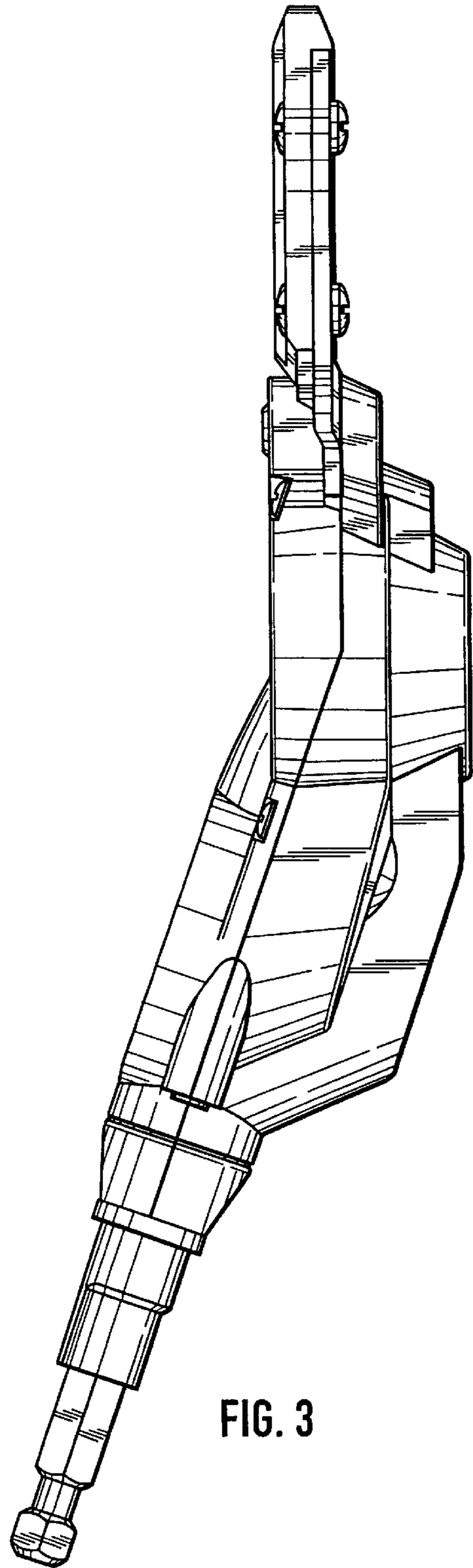


FIG. 3

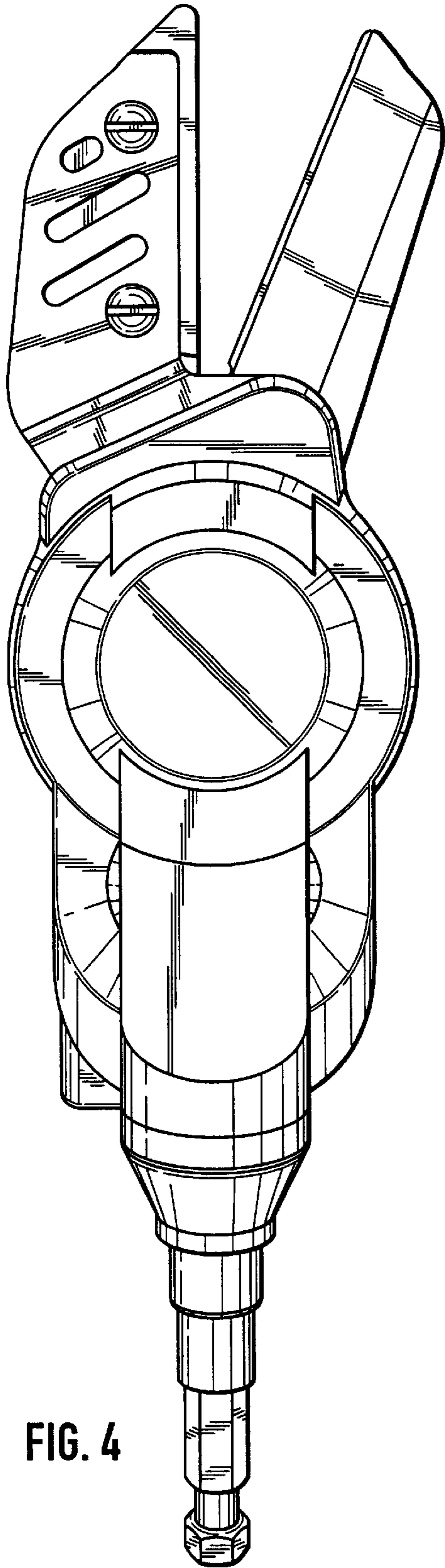


FIG. 4

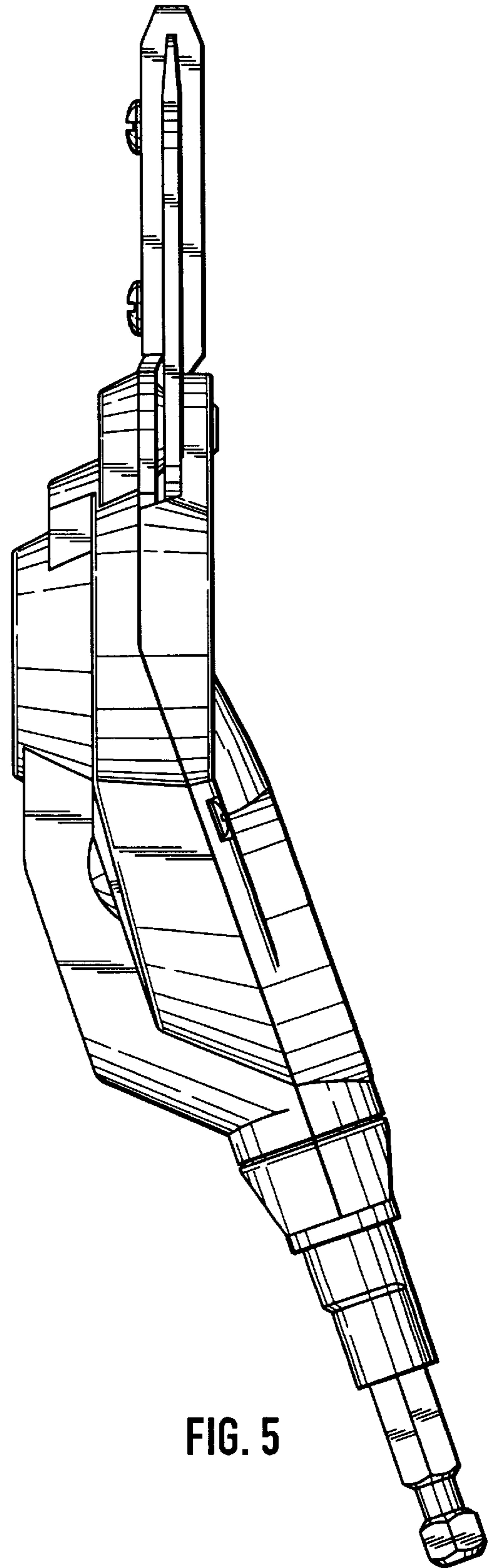


FIG. 5

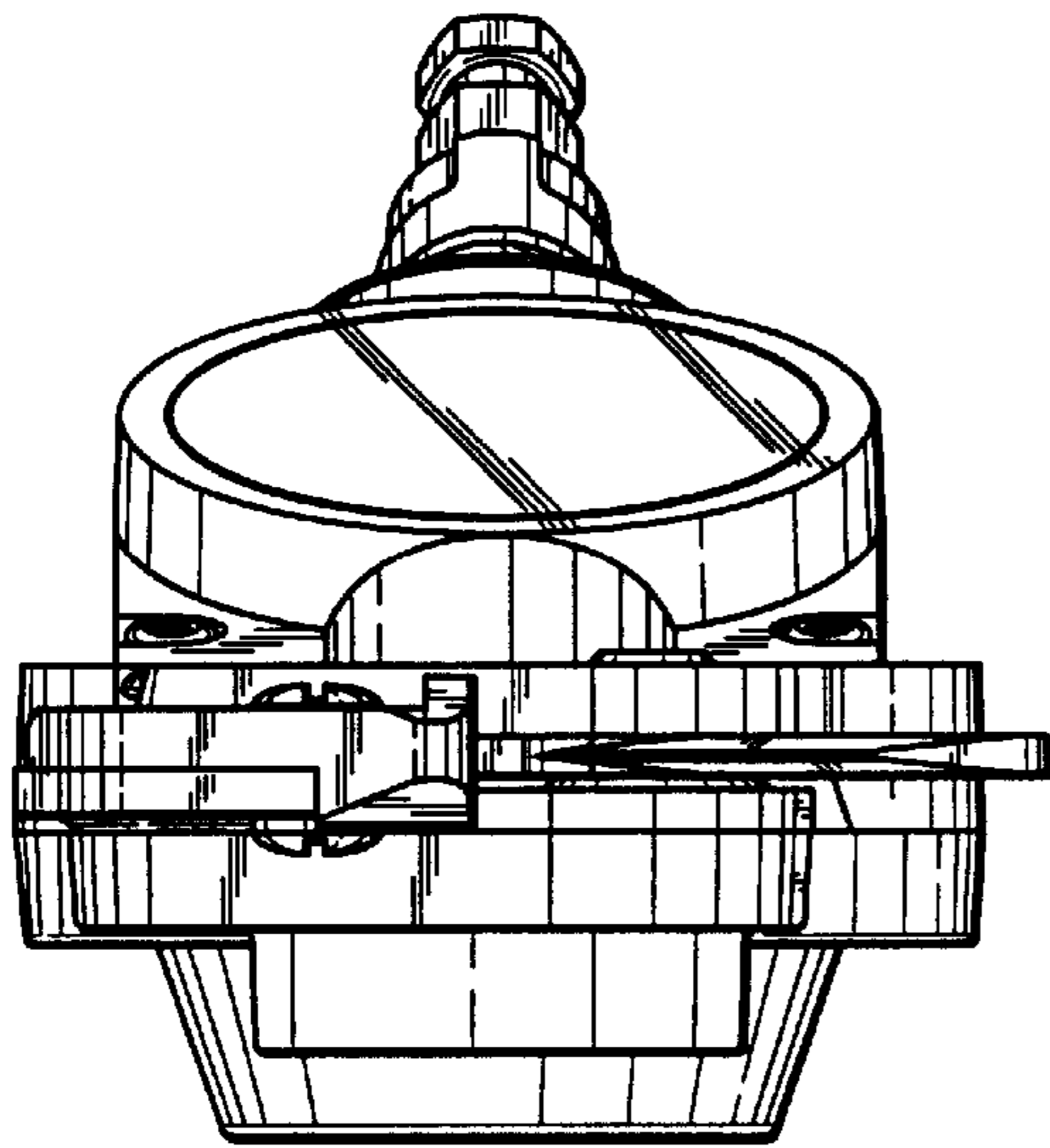


FIG. 6

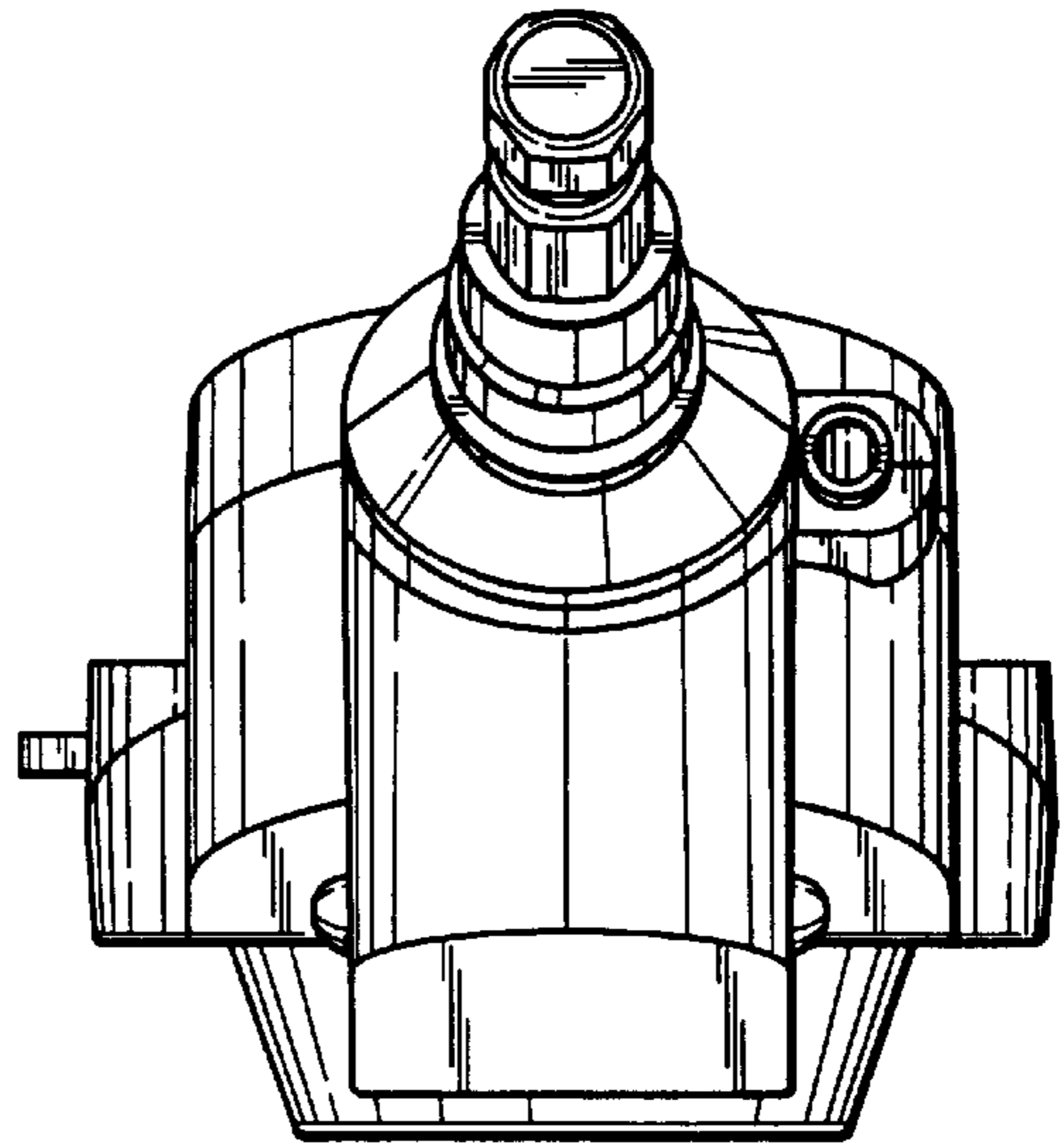


FIG. 7