



US00D487385S

(12) **United States Design Patent**  
**Zemlok et al.**

(10) **Patent No.:** **US D487,385 S**

(45) **Date of Patent:** **\*\* Mar. 9, 2004**

(54) **CIRCULAR SAW HANDLE**  
  
(75) Inventors: **Michael A. Zemlok**, Towson, MD (US); **Keith Moore**, Owings Mills, MD (US); **Weston J. Van Wambeke**, Baltimore, MD (US); **James B. Watson**, Fallston, MD (US); **Sean Flickinger**, Felton, PA (US); **Christofer E. Beam**, Mount Airy, MD (US)  
  
(73) Assignee: **Black & Decker Inc.**, Newark, DE (US)  
  
(\*\*) Term: **14 Years**

JP 58-222803 12/1983  
JP 58-222804 12/1983  
JP 59-167202 9/1984  
JP 61-53922 11/1986  
JP 61-54561 11/1986  
JP 61-57161 12/1986  
JP 62-35362 8/1987  
JP 2-45561 10/1990  
JP 2-48232 12/1990  
JP 2-303776 12/1990  
JP 3-38961 6/1991  
JP 3-503986 9/1991  
JP 05004201 A 1/1993  
JP 05031701 A 2/1993

(List continued on next page.)

(21) Appl. No.: **29/178,695**  
(22) Filed: **Mar. 28, 2003**

**OTHER PUBLICATIONS**

Reg. 49811851, Germany.  
Reg. 49911612, Germany.

**Related U.S. Application Data**

(63) Continuation-in-part of application No. 29/162,063, filed on Jun. 7, 2002.  
(51) **LOC (7) Cl.** ..... **08-03**  
(52) **U.S. Cl.** ..... **D8/66**  
(58) **Field of Search** ..... D8/61-68; 30/166.3, 30/374-377, 388-397; 83/397, 699.21; 409/180-182

*Primary Examiner*—Brian N. Vinson  
(74) *Attorney, Agent, or Firm*—Harness, Dickey & Pierce, P.L.C.

(57) **CLAIM**

The ornamental design for a circular saw handle, as shown and described.

(56) **References Cited**

**U.S. PATENT DOCUMENTS**

2,962,062 A 11/1960 Winkler et al.  
3,262,472 A 7/1966 McCarty et al.

(List continued on next page.)

**FOREIGN PATENT DOCUMENTS**

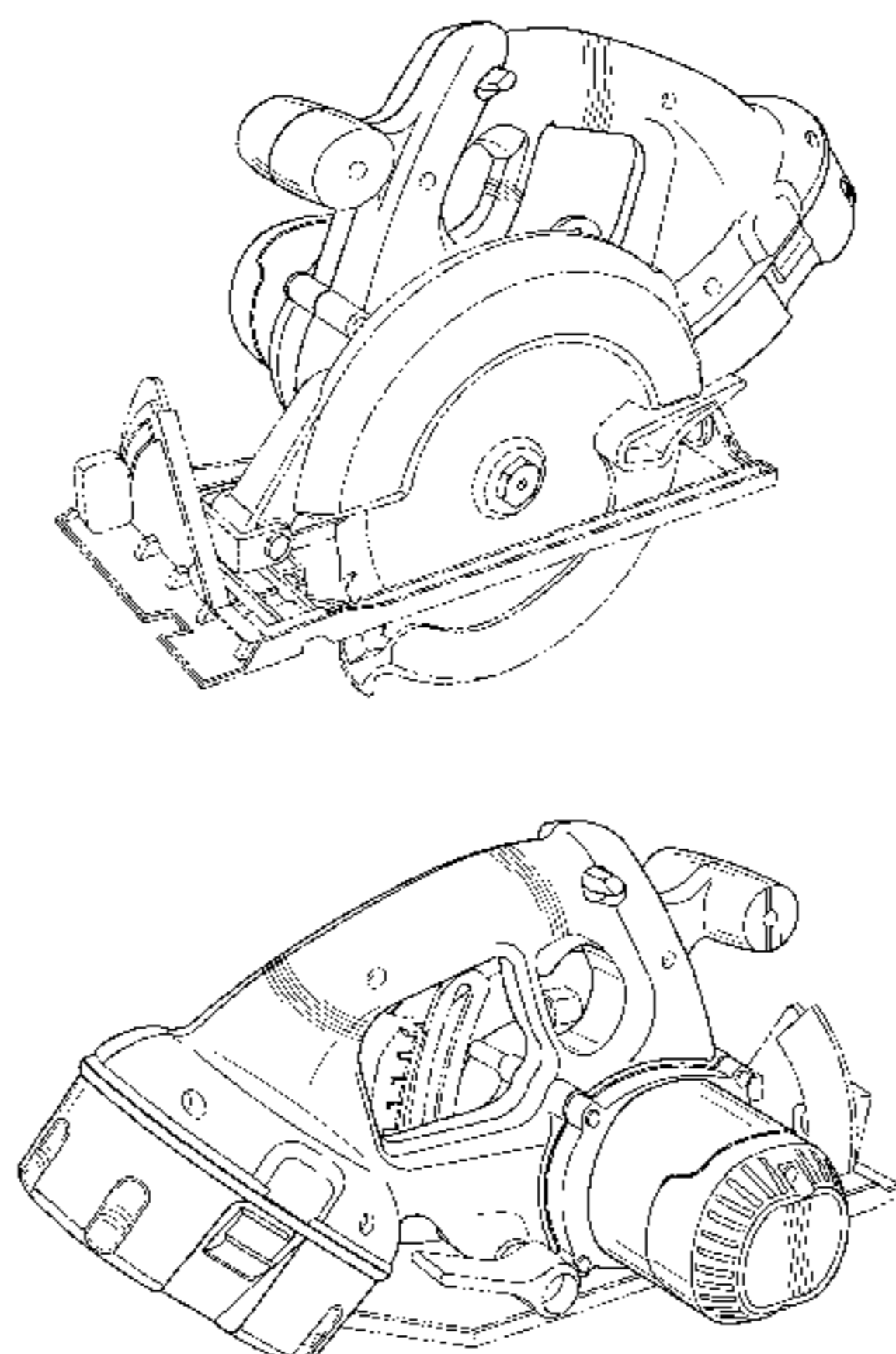
DE 3318507 C2 11/1985  
DE 3429095 C2 1/1987  
DE G9115492.8 4/1992  
DE 4040091 C2 7/1995  
DE 4403189 A1 8/1995  
DE 29513330 U1 2/1997  
EP 0466294 B1 10/1995  
JP 57-207003 12/1982

**DESCRIPTION**

FIG. 1 is a front perspective view of a circular saw handle; FIG. 2 is a rear perspective view thereof; FIG. 3 is a rear view thereof; FIG. 4 is a front view thereof; FIG. 5 is a right side view thereof; FIG. 6 is a left side view thereof; FIG. 7 is a top view thereof; and, FIG. 8 is a bottom view thereof.

The broken line showings in the above figures are for illustrative purposes only and do not form part of the claimed design.

**1 Claim, 8 Drawing Sheets**



# US D487,385 S

Page 2

## U.S. PATENT DOCUMENTS

3,730,239 A 5/1973 Kaman et al.  
3,757,194 A 9/1973 Weber et al.  
4,221,051 A 9/1980 Glass  
4,224,855 A 9/1980 Des Roches  
D262,772 S 1/1982 Glass et al.  
4,516,324 A 5/1985 Heining, Jr. et al.  
4,555,849 A 12/1985 Ando et al.  
4,847,513 A 7/1989 Katz et al.  
4,856,394 A 8/1989 Clowers  
4,870,758 A 10/1989 Fushiya  
4,876,797 A 10/1989 Zapata  
5,023,999 A 6/1991 Looper et al.  
5,090,126 A 2/1992 Higgins  
D329,363 S 9/1992 Sasaki et al.  
D335,433 S 5/1993 Schultz et al.  
5,433,008 A 7/1995 Barger, Jr. et al.  
D363,656 S 10/1995 Gierke  
D375,439 S 11/1996 Niwa et al.  
D390,081 S 2/1998 Price et al.  
5,856,715 A 1/1999 Peot et al.  
5,881,823 A 3/1999 Kabatnik et al.  
5,902,080 A 5/1999 Kopras  
D411,425 S 6/1999 Sugimoto et al.  
D417,648 S 12/1999 Clowers et al.  
6,007,939 A 12/1999 Clowers  
D421,702 S \* 3/2000 Sakai et al. .... D8/66  
D427,872 S 7/2000 Snider  
D427,874 S 7/2000 Hayakawa et al.

D428,318 S 7/2000 Gallagher et al.  
D428,319 S 7/2000 Gallagher  
D429,133 S 8/2000 Lui  
6,108,916 A 8/2000 Zeiler et al.  
D432,077 S 10/2000 Zurwelle et al.  
6,161,293 A 12/2000 Watson  
D449,503 S \* 10/2001 Tsuzuki et al. .... D8/66  
D453,099 S \* 1/2002 Welsh ..... D8/66  
2001/0000552 A1 5/2001 Watson

## FOREIGN PATENT DOCUMENTS

JP 05318403 A 12/1993  
JP 6-278101 10/1994  
JP 07052067 A 2/1995  
JP 7-161340 6/1995  
JP 7-67681 7/1995  
JP 7-232301 9/1995  
JP 8-281603 10/1996  
JP 9-141602 6/1997  
JP 9-141603 6/1997  
JP 9-164501 6/1997  
JP 10-34564 2/1998  
JP 11-170203 6/1999  
JP 2000-15602 A 1/2000  
JP 2000-176908 A 6/2000  
JP 3098801 8/2000  
WO WO 00/51772 9/2000

\* cited by examiner

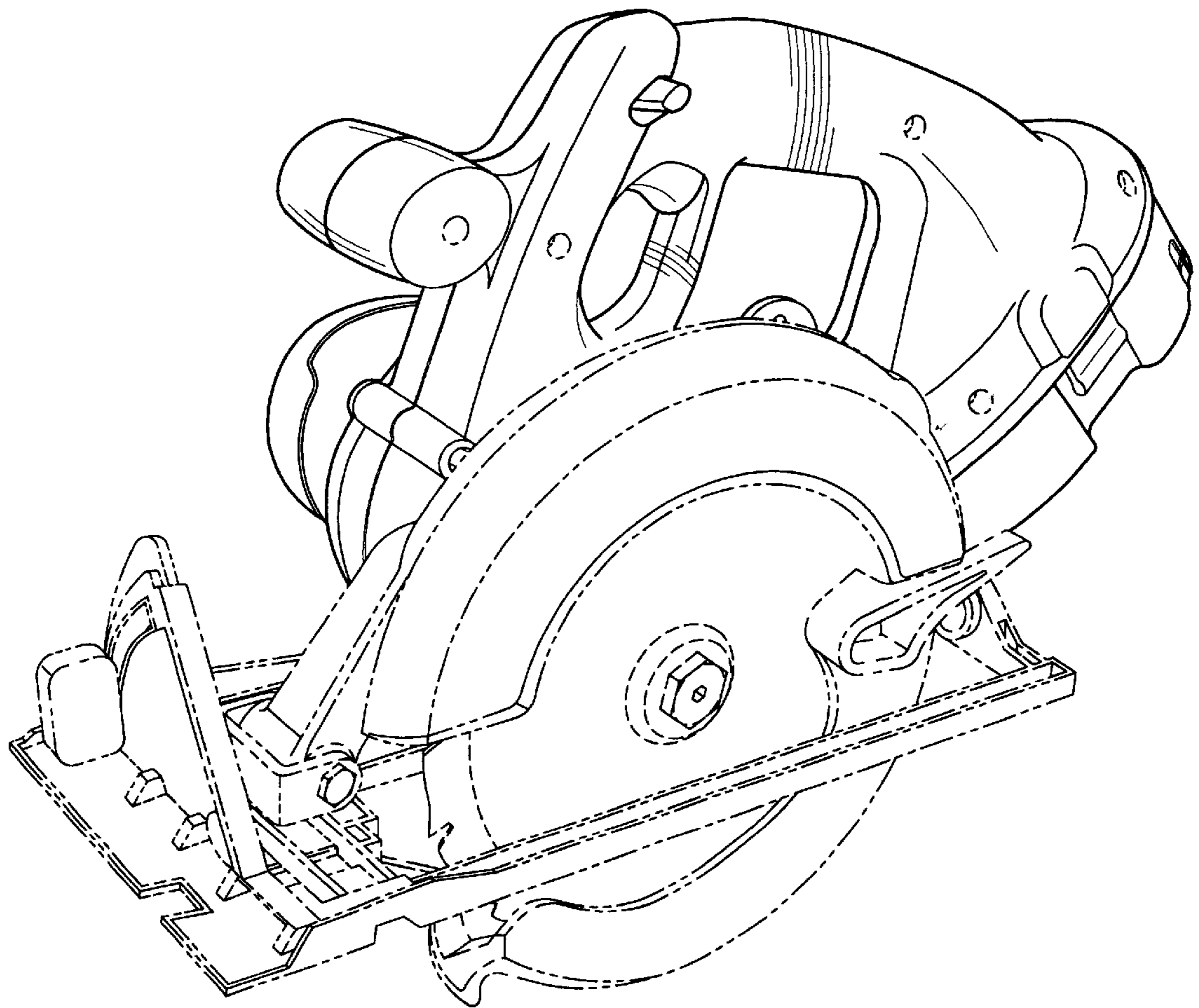


Fig-1

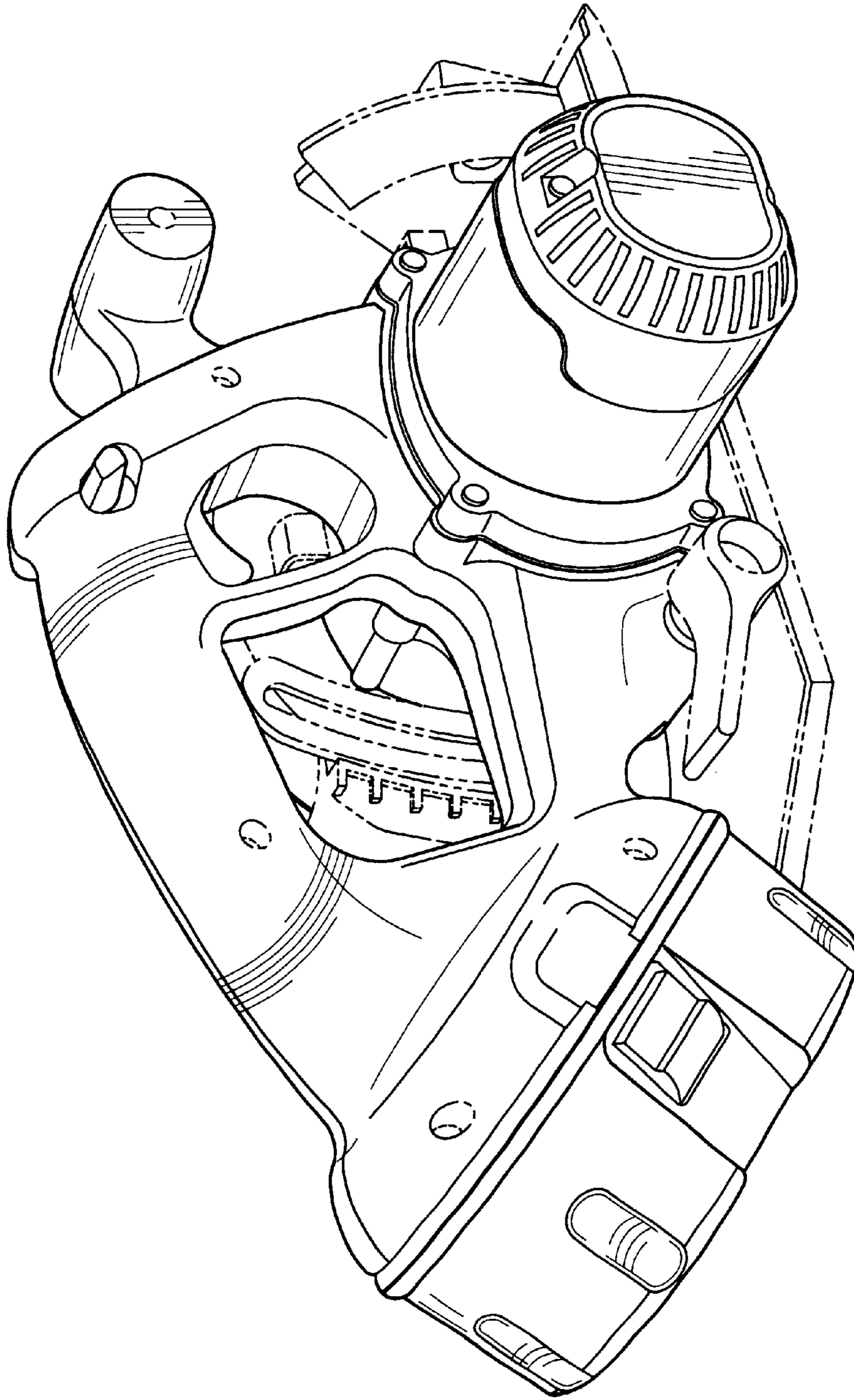


Fig-2

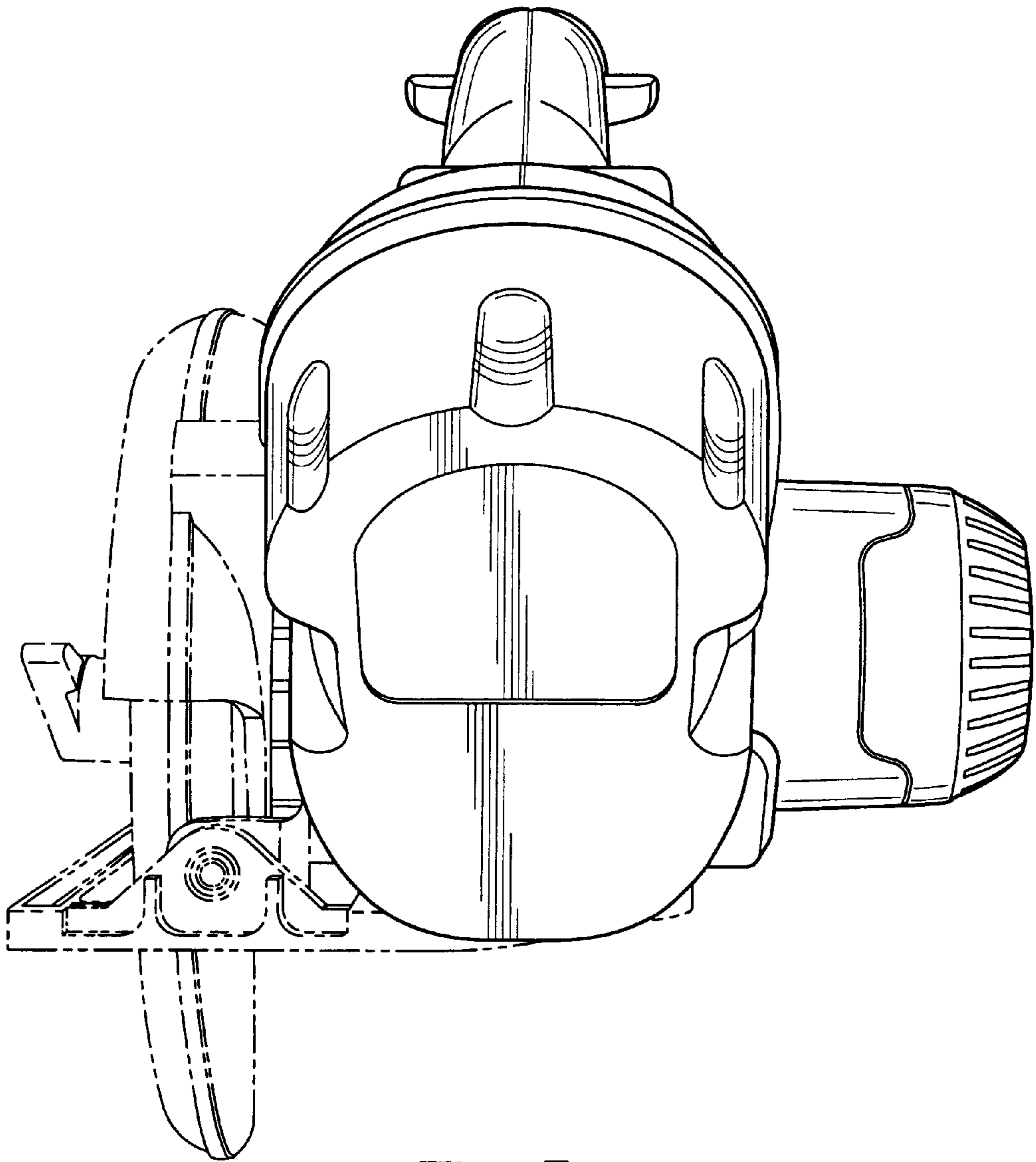


Fig-3

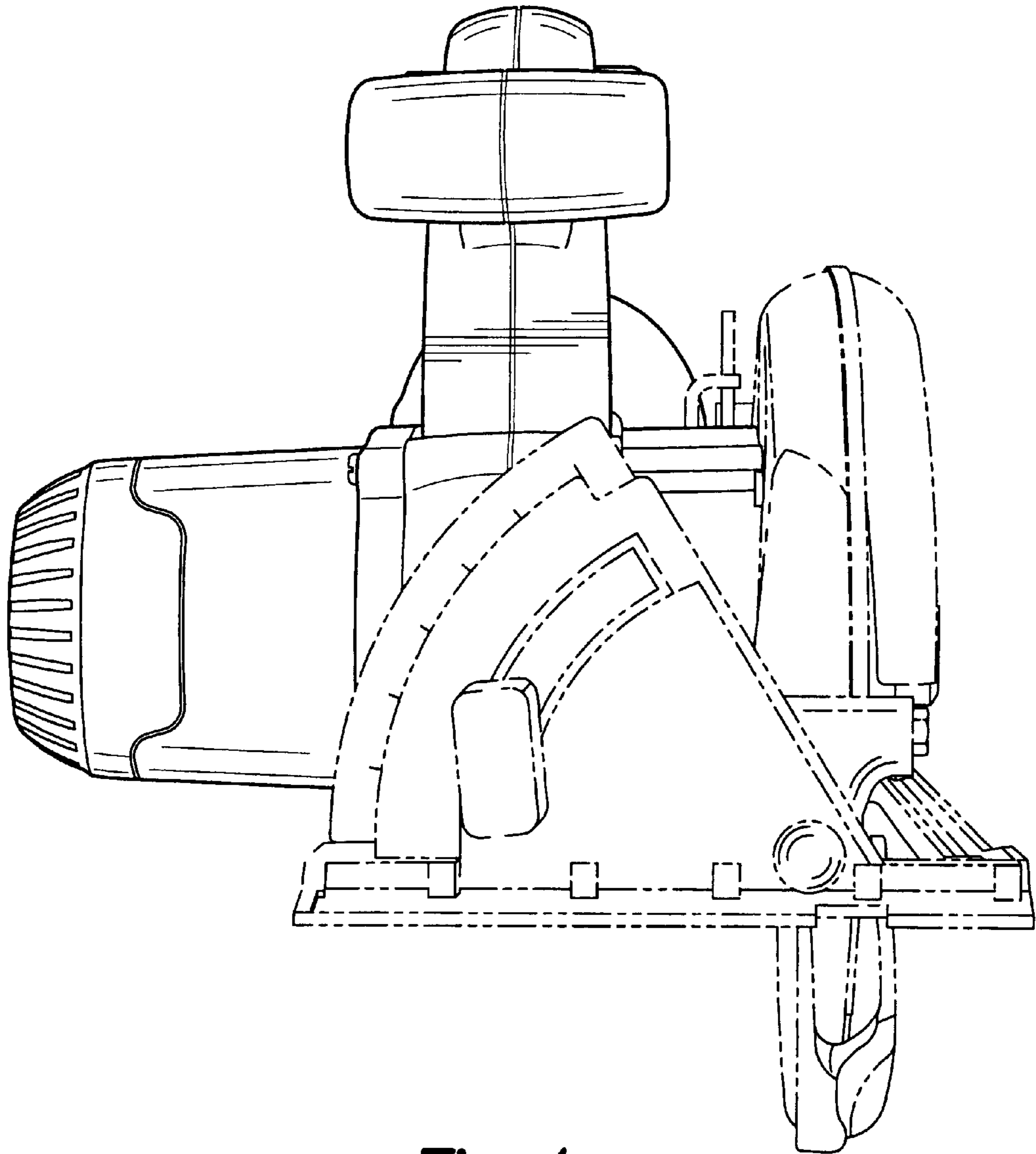


Fig-4

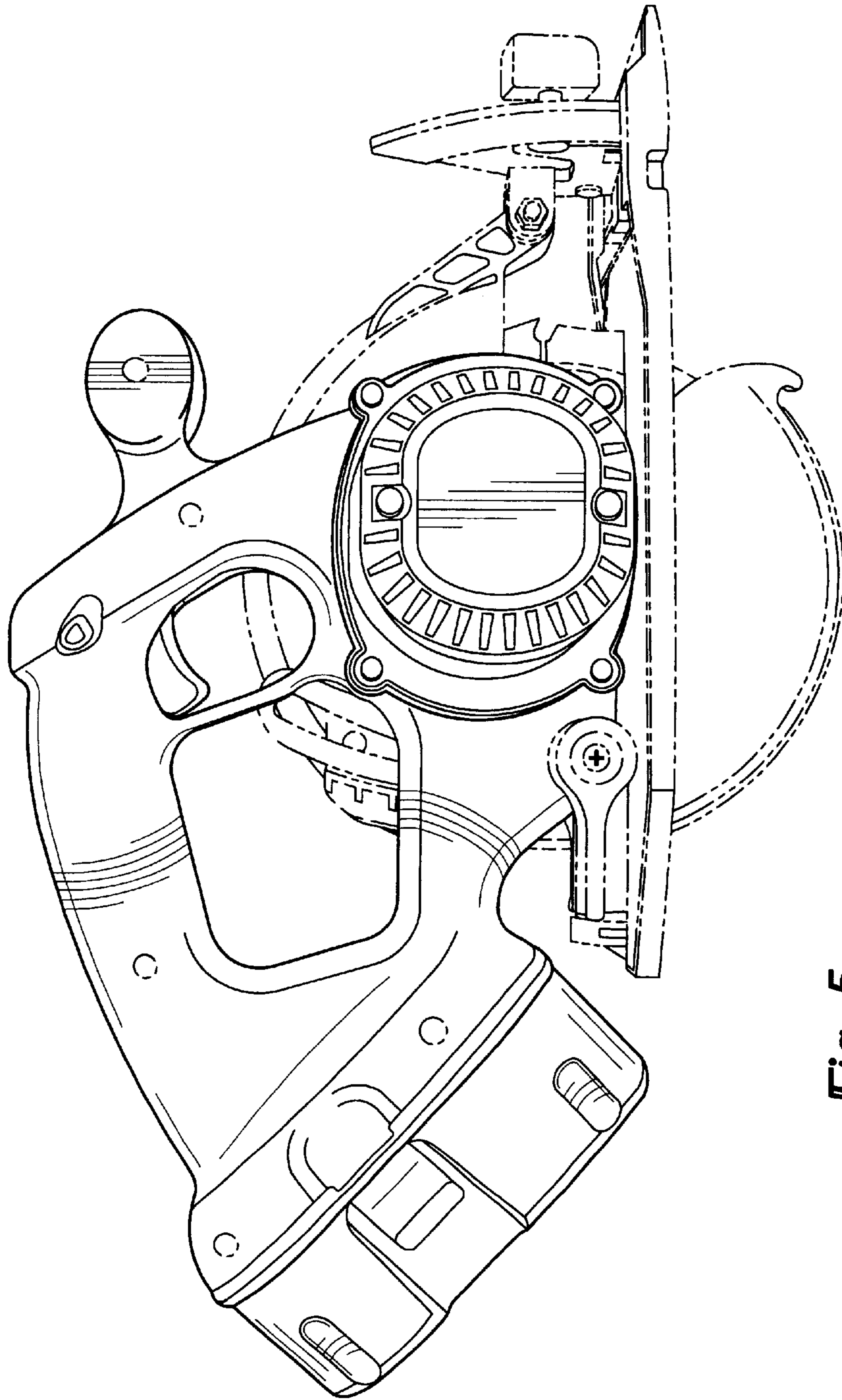


Fig-5

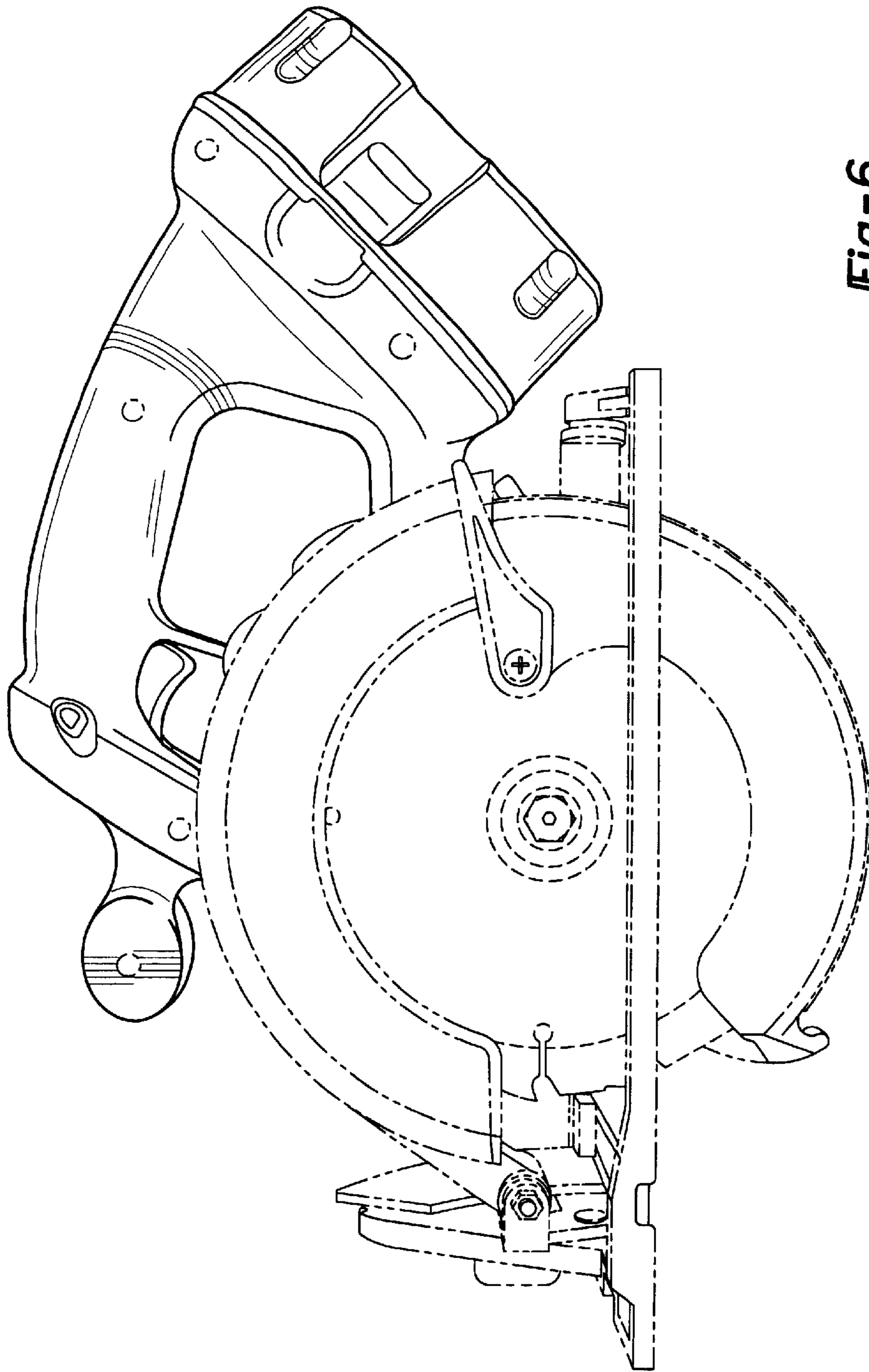


Fig-6



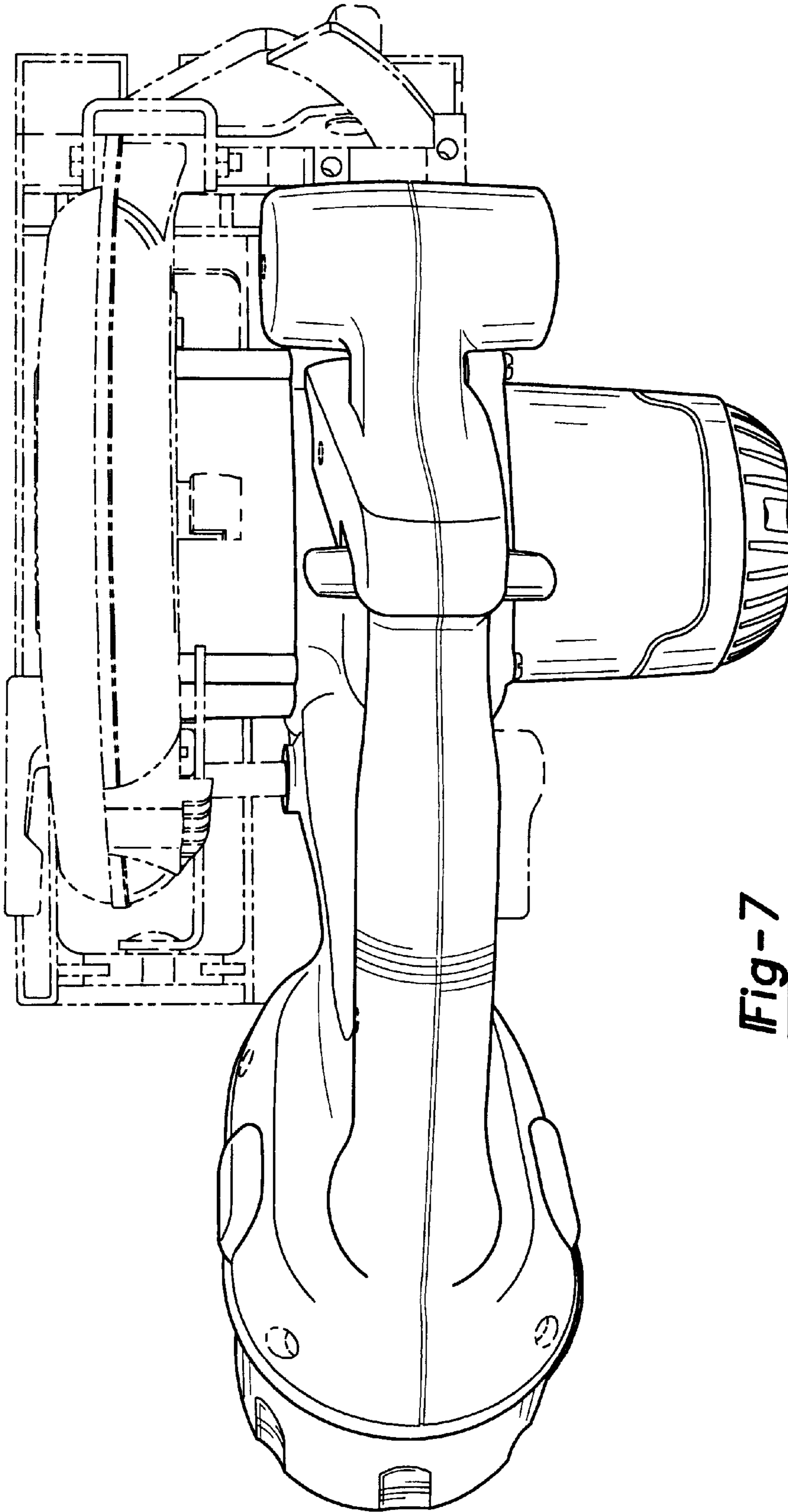


Fig-7

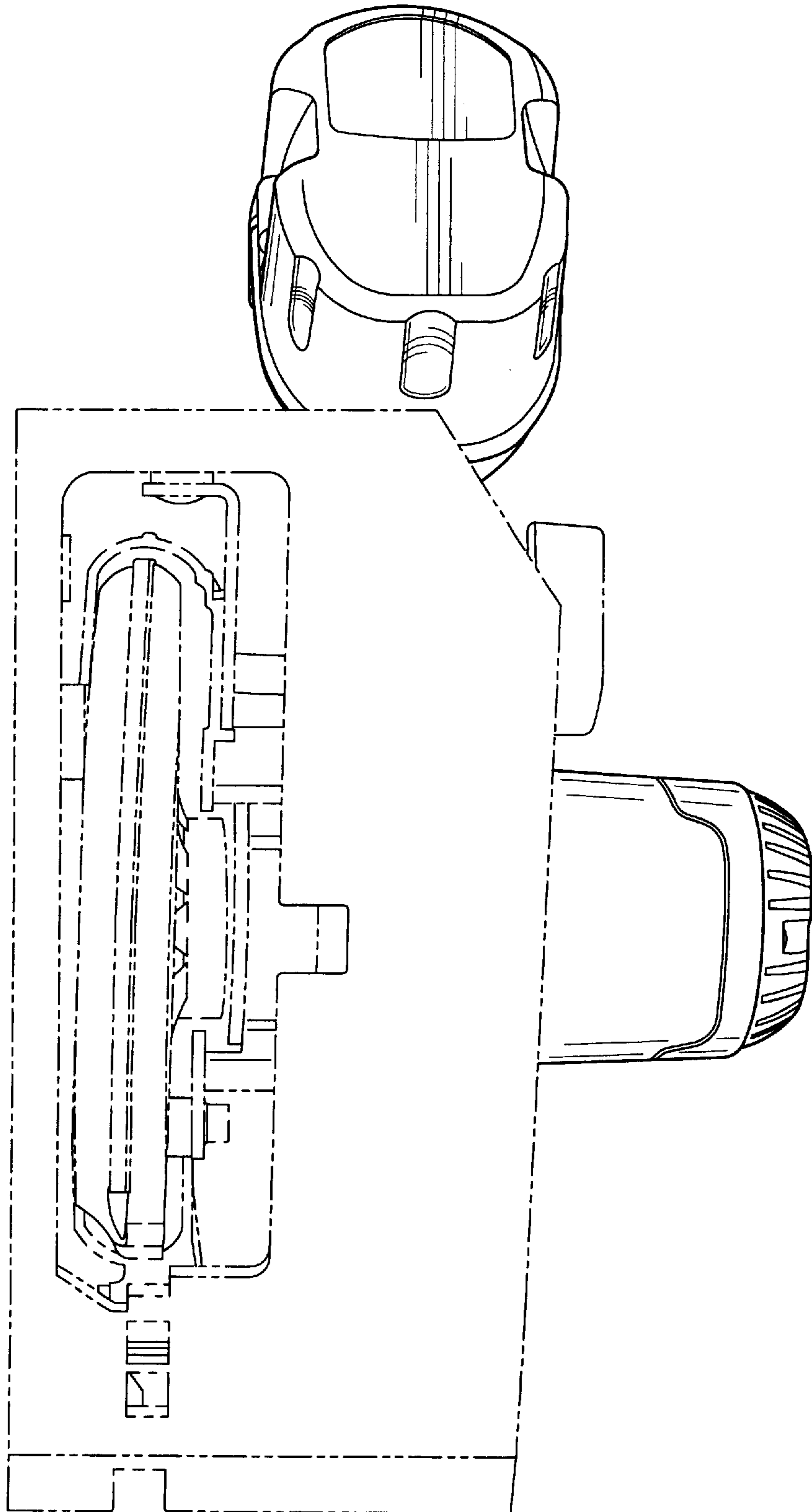


Fig-8