



US00D487382S

(12) **United States Design Patent**
Kaposi

(10) **Patent No.:** **US D487,382 S**

(45) **Date of Patent:** **** Mar. 9, 2004**

(54) **KITCHEN TOOL**

1,213,561 A * 1/1917 Wwalker 416/70 R
5,947,595 A * 9/1999 Eurisch et al. 366/129

(75) **Inventor:** **Sascha Kaposi**, Tacoma, WA (US)

* cited by examiner

(73) **Assignee:** **Progressive International Corporation**, Kent, WA (US)

Primary Examiner—Terry A. Wallace

(74) *Attorney, Agent, or Firm*—Black Lowe and Graham

(**) **Term:** **14 Years**

(57) **CLAIM**

(21) **Appl. No.:** **29/178,611**

I claim the ornamental design for the kitchen tool, as shown and described.

(22) **Filed:** **Mar. 27, 2003**

DESCRIPTION

(51) **LOC (7) Cl.** **07-04**

(52) **U.S. Cl.** **D7/692; D7/688**

(58) **Field of Search** D7/682–696; 15/141.1, 15/141.2; 16/110.1, 430, 431; D8/107; 366/129, 130, 342–344; 416/69, 70 R, 227 R

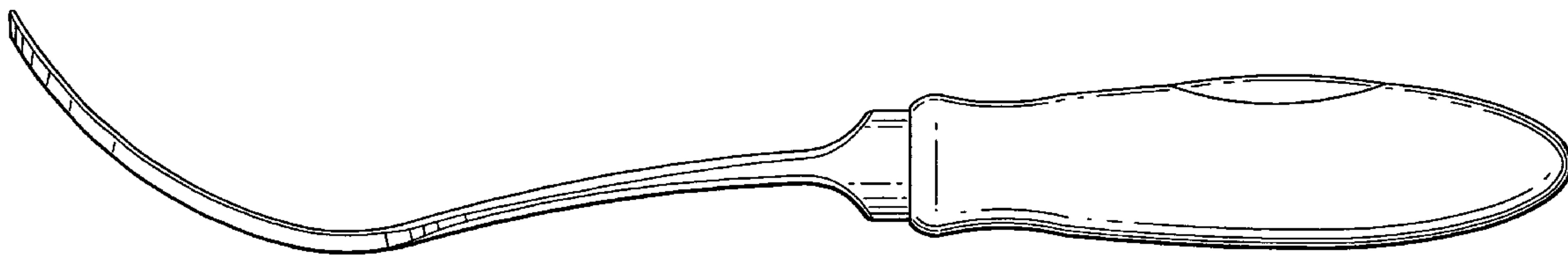
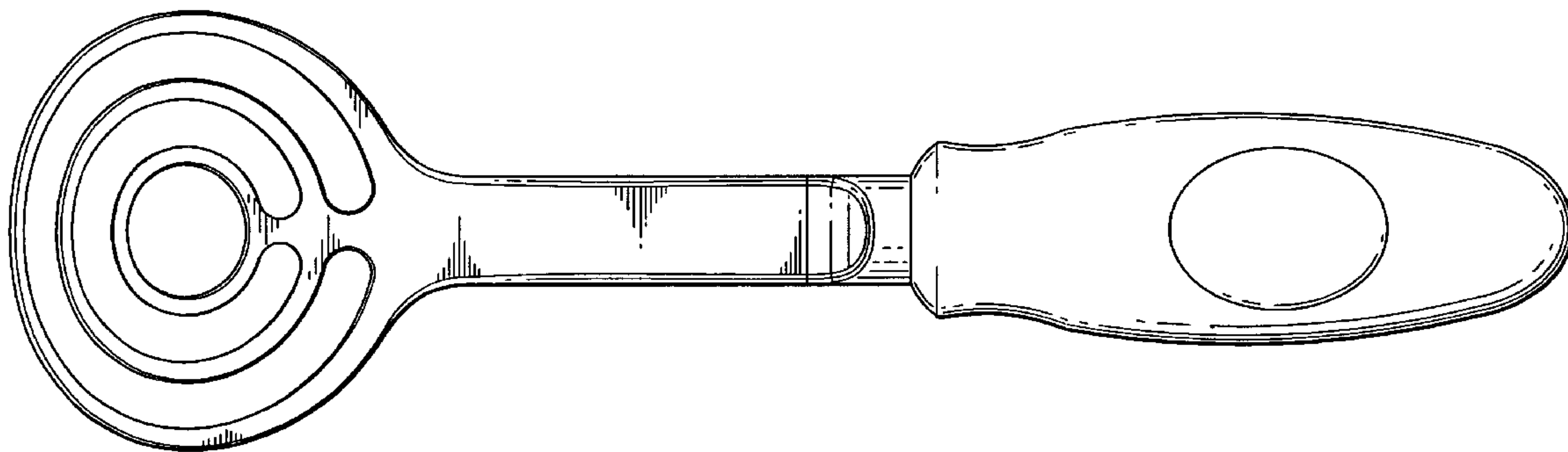
FIG. 1 is a front view of the kitchen tool;
FIG. 2 is a right side view of the kitchen tool, the left side view being the same as the right side view;
FIG. 3 is a back view of the kitchen tool;
FIG. 4 is a top view of the kitchen tool; and,
FIG. 5 is a bottom view of the kitchen tool.

(56) **References Cited**

U.S. PATENT DOCUMENTS

1,155,915 A * 10/1915 Cooley 137/460

1 Claim, 2 Drawing Sheets



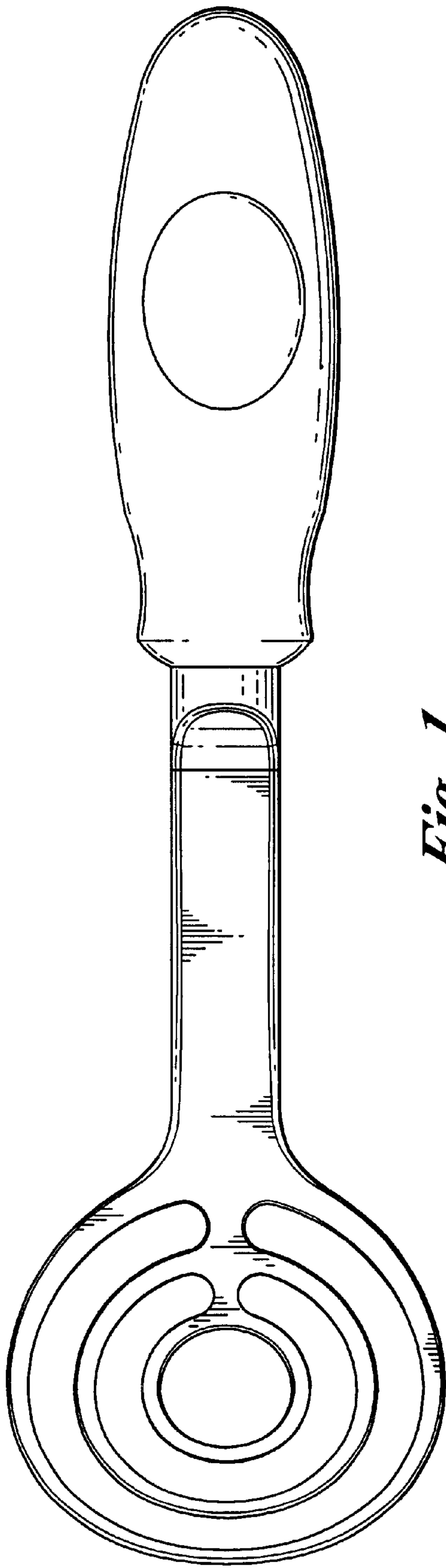


Fig. 1.

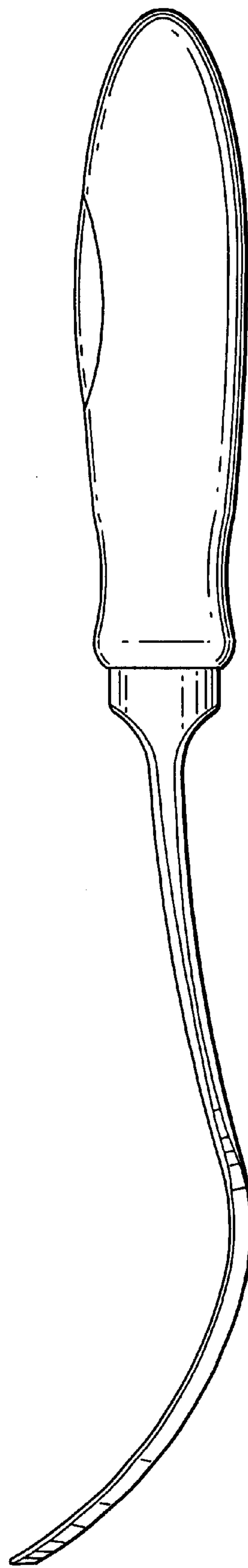


Fig. 2.

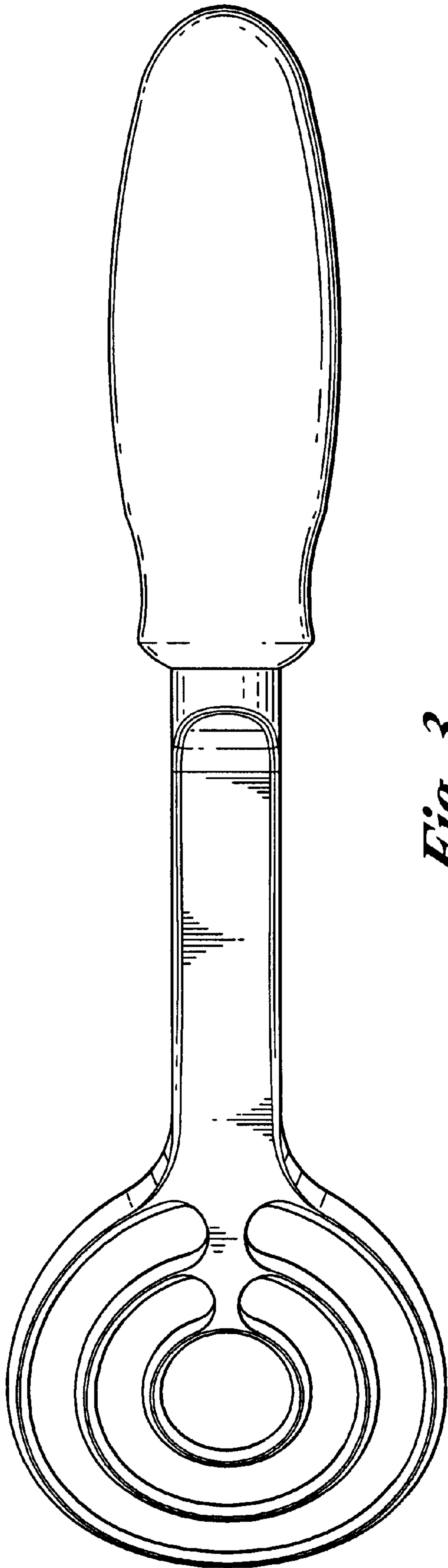


Fig. 3.

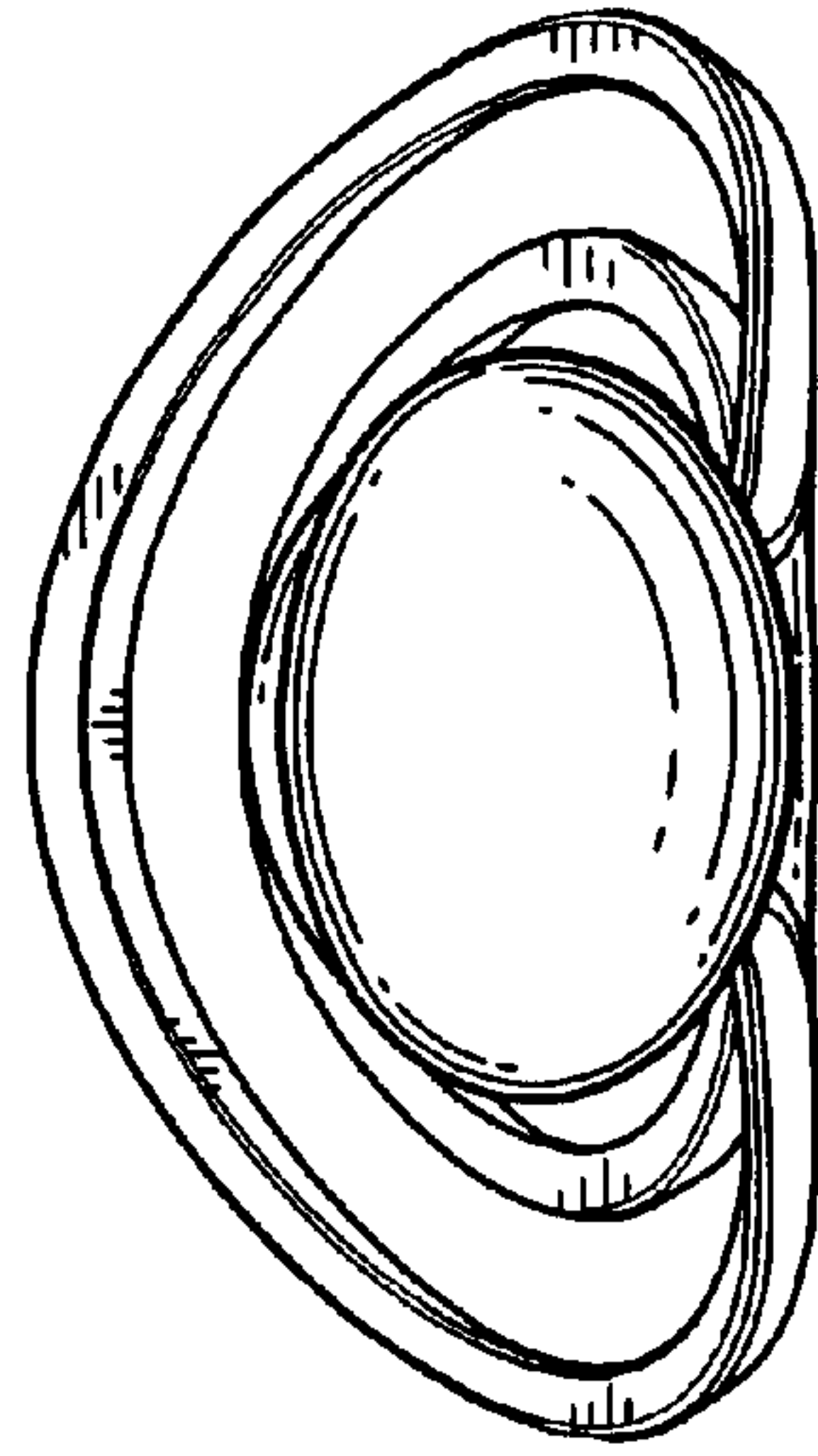


Fig. 5.

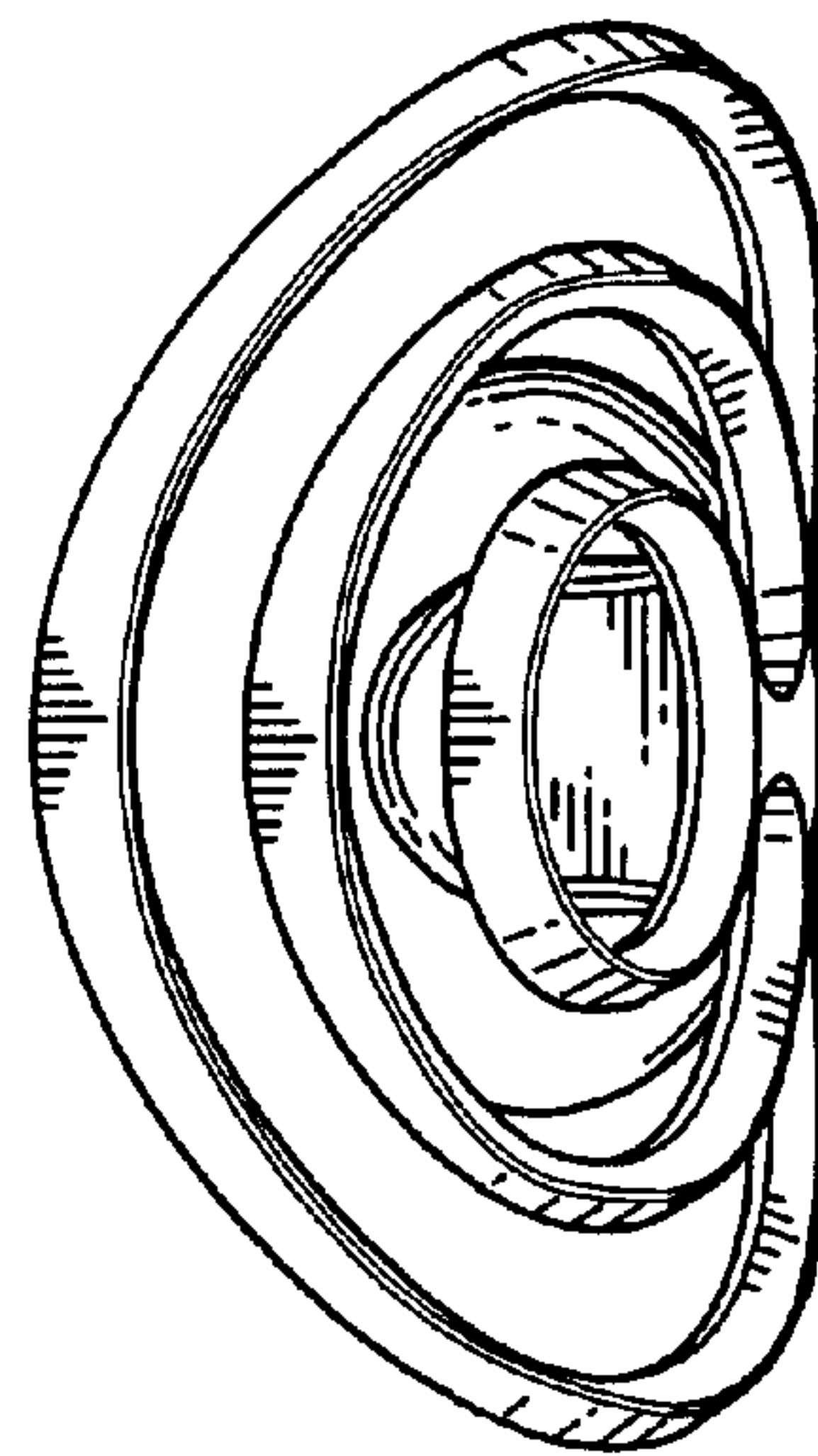


Fig. 4.