



US00D487377S

(12) **United States Design Patent**
McDougall et al.

(10) **Patent No.:** **US D487,377 S**

(45) **Date of Patent:** **** Mar. 9, 2004**

(54) **FLAVOR SHOT PUMP**

(75) **Inventors:** **Douglas McDougall**, Atlanta, GA (US);
Ronald J. Stark, Loveland, OH (US);
Peter S. Rohwer, Mason, OH (US);
Richard Clark, Alpharetta, GA (US)

(73) **Assignee:** **The Coca-Cola Company**, Atlanta, GA (US)

(**) **Term:** **14 Years**

(21) **Appl. No.:** **29/169,211**

(22) **Filed:** **Oct. 16, 2002**

(51) **LOC (7) Cl.** **07-99**

(52) **U.S. Cl.** **D7/398; D7/306; D7/397**

(58) **Field of Search** **D7/300, 305, 306, D7/307, 308, 398, 397; 222/183, 129.1-129.3, 156, 144.5, 30; 137/606, 901; 141/102; D15/7; D23/231, 284, 292, 293.1**

(56) **References Cited**

U.S. PATENT DOCUMENTS

D98,976 S	*	3/1936	Bernhardt	D23/231
D128,155 S	*	7/1941	Berg	D7/398
D137,115 S	*	1/1944	Booth	D7/398
D160,784 S	*	11/1950	Huffman	D7/305
D177,649 S	*	5/1956	Stanitz	D23/293.1
D202,327 S	*	9/1965	Reichow	D7/308
D203,963 S	*	3/1966	Frank	D7/306
3,355,068 A	*	11/1967	Harland	222/30

D234,199 S	*	1/1975	Stoires, Jr.	D23/293.1
D261,657 S	*	11/1981	Villa	D7/306
D350,870 S	*	9/1994	Hansen	D7/306
D351,529 S	*	10/1994	Scott, Jr.	D7/398
D352,200 S	*	11/1994	Hansen	D7/306
D365,491 S	*	12/1995	Hui	D7/311
D401,477 S	*	11/1998	Martindale	D7/590
D407,260 S	*	3/1999	Martindale	D7/306
D441,253 S	*	5/2001	Chen	D7/398
D455,597 S	*	4/2002	Lefroy-Brooks	D7/313
D457,773 S	*	5/2002	John et al.	D7/306
D473,293 S	*	4/2003	Piatt	D23/293.1

* cited by examiner

Primary Examiner—M. N. Pandozzi

(74) *Attorney, Agent, or Firm*—Michael V. Kruljac

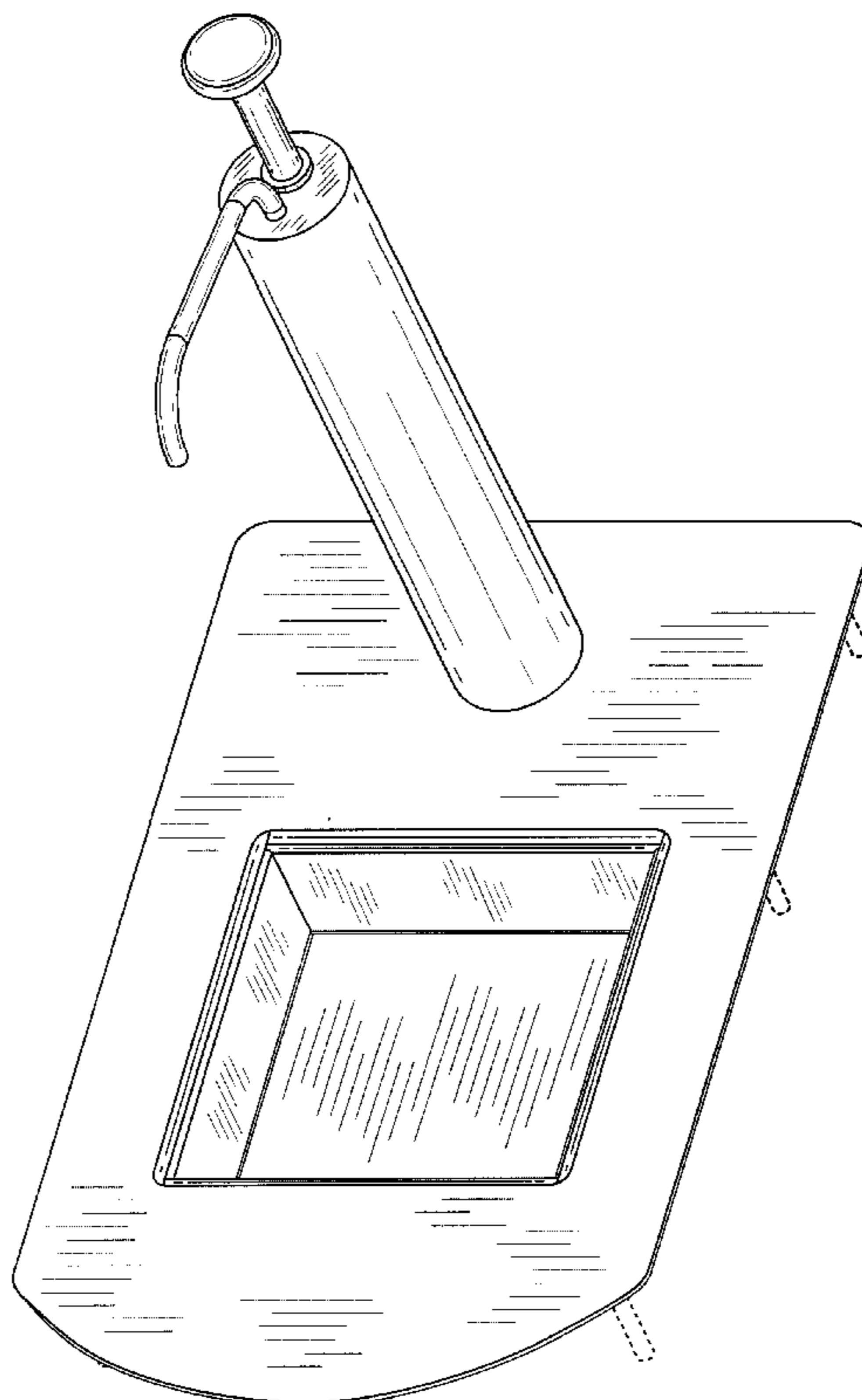
(57) **CLAIM**

We claim the ornamental design for a flavor shot pump, as shown.

DESCRIPTION

FIG. 1 is a top front left side perspective view of the first embodiment of a flavor shot pump showing our new design; FIG. 2 is a front elevational view thereof; FIG. 3 is a rear elevational view thereof; FIG. 4 is a left side elevational view thereof; FIG. 5 is a top plan view thereof; and, FIG. 6 is a top front left side perspective view of the second embodiment thereof.

1 Claim, 6 Drawing Sheets



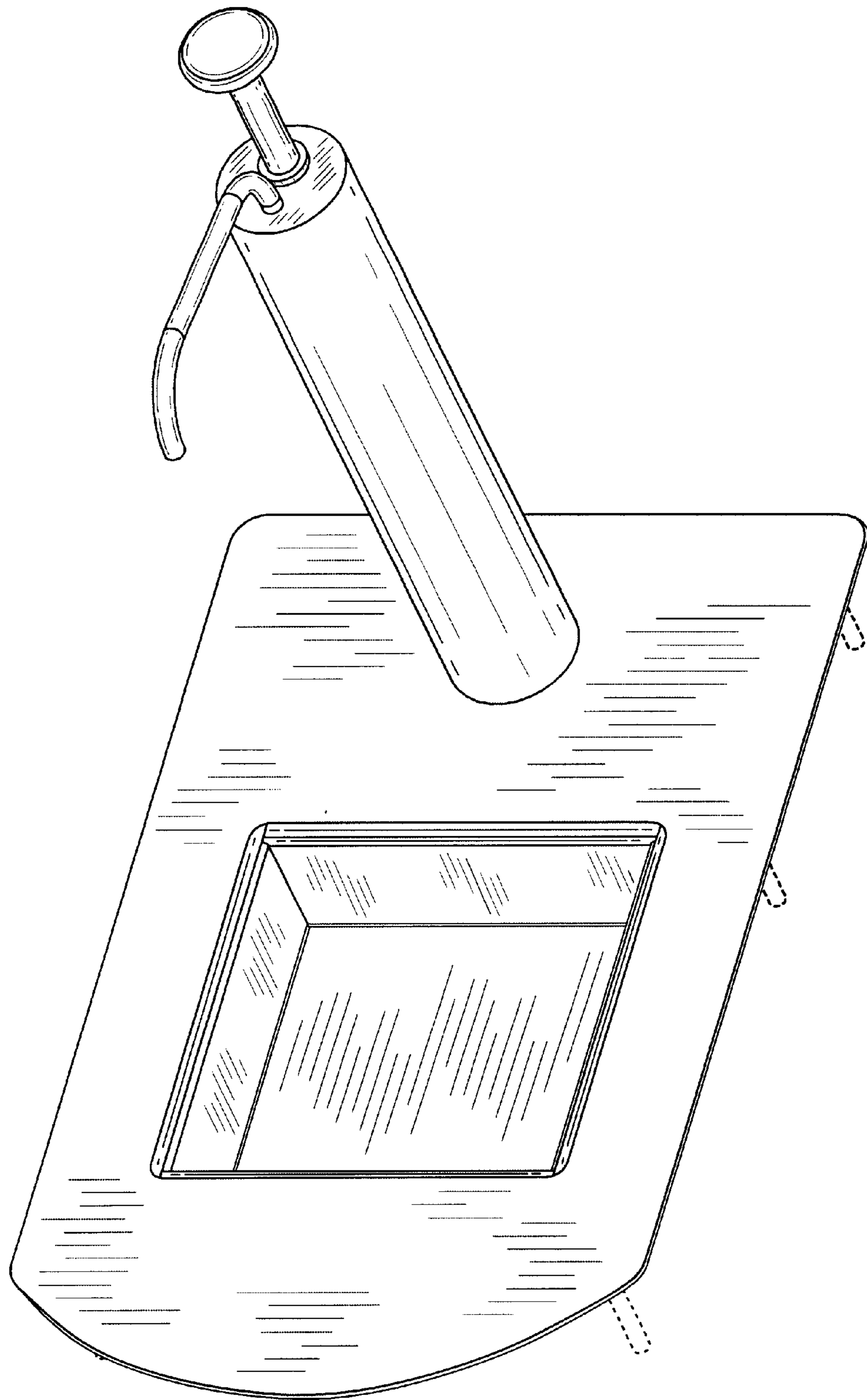


FIG. 1

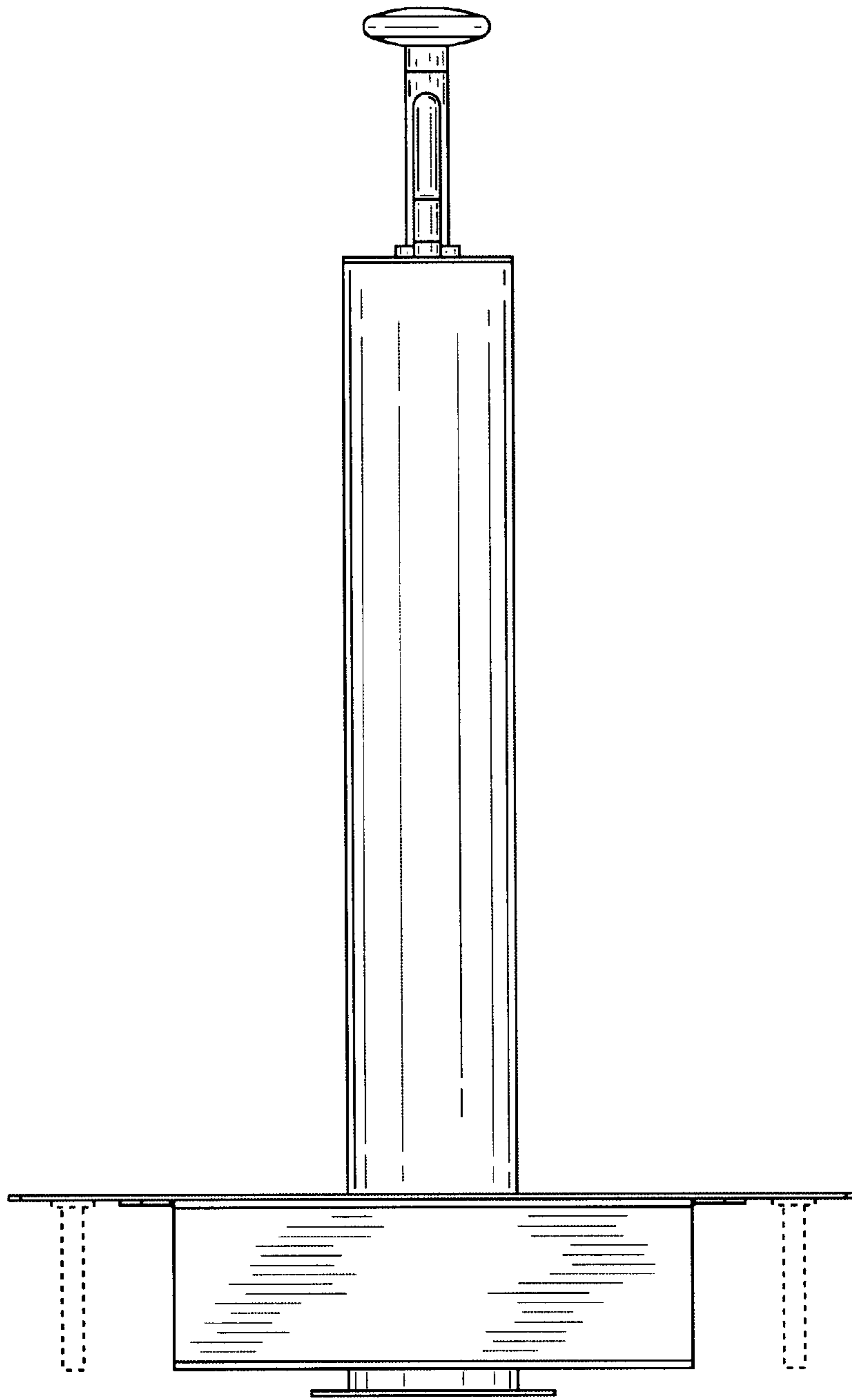


FIG. 2

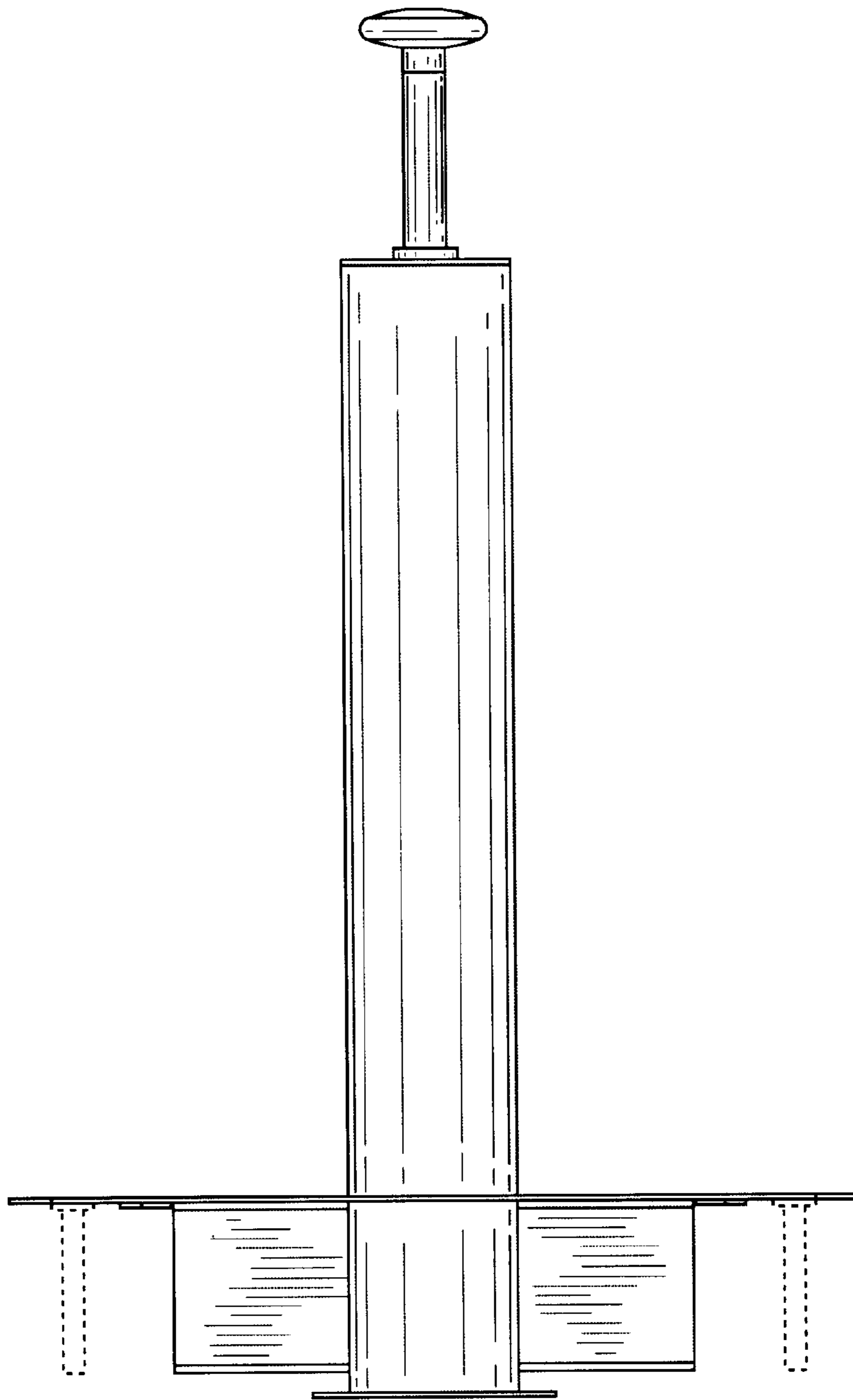


FIG. 3

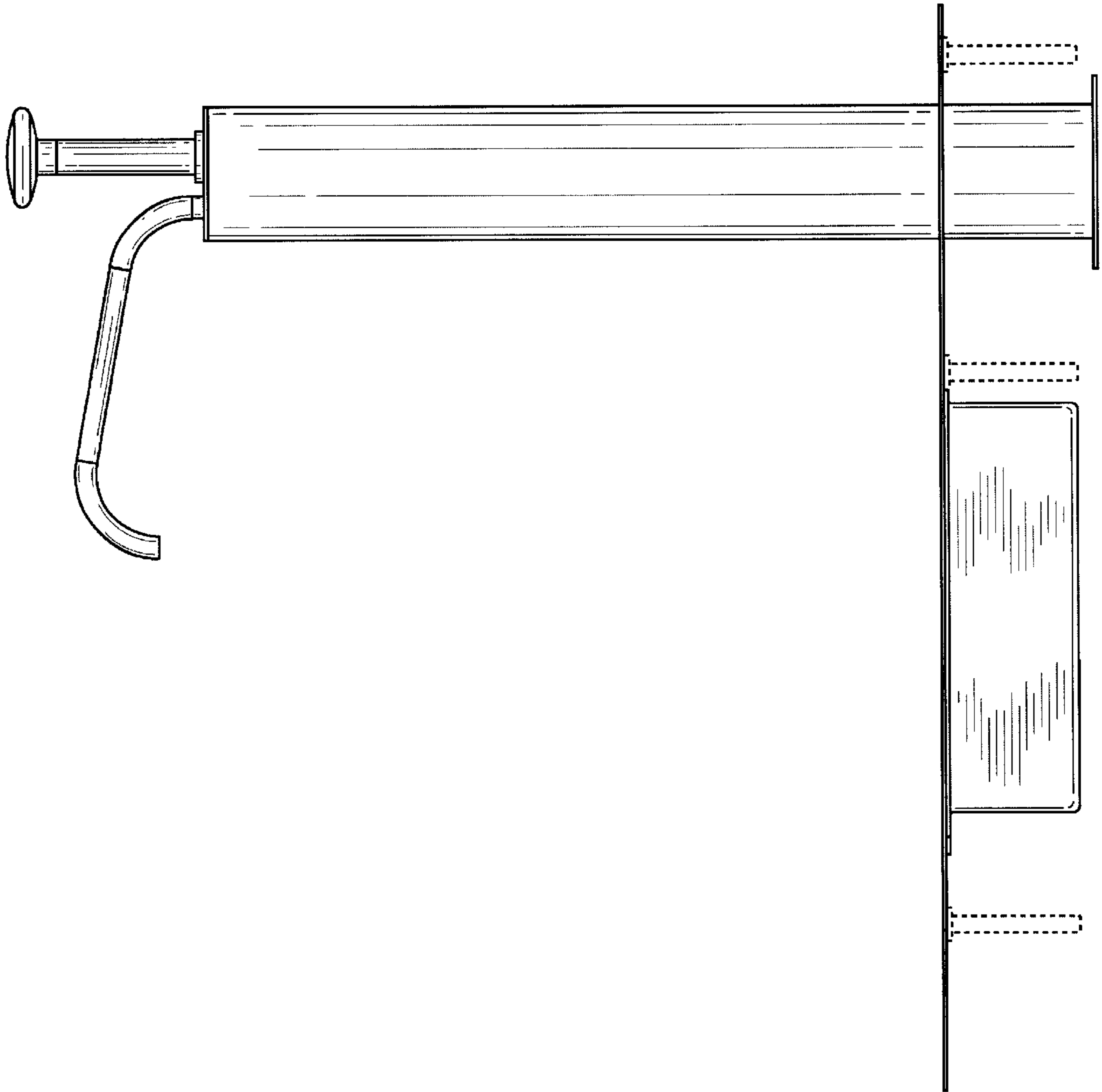


FIG. 4

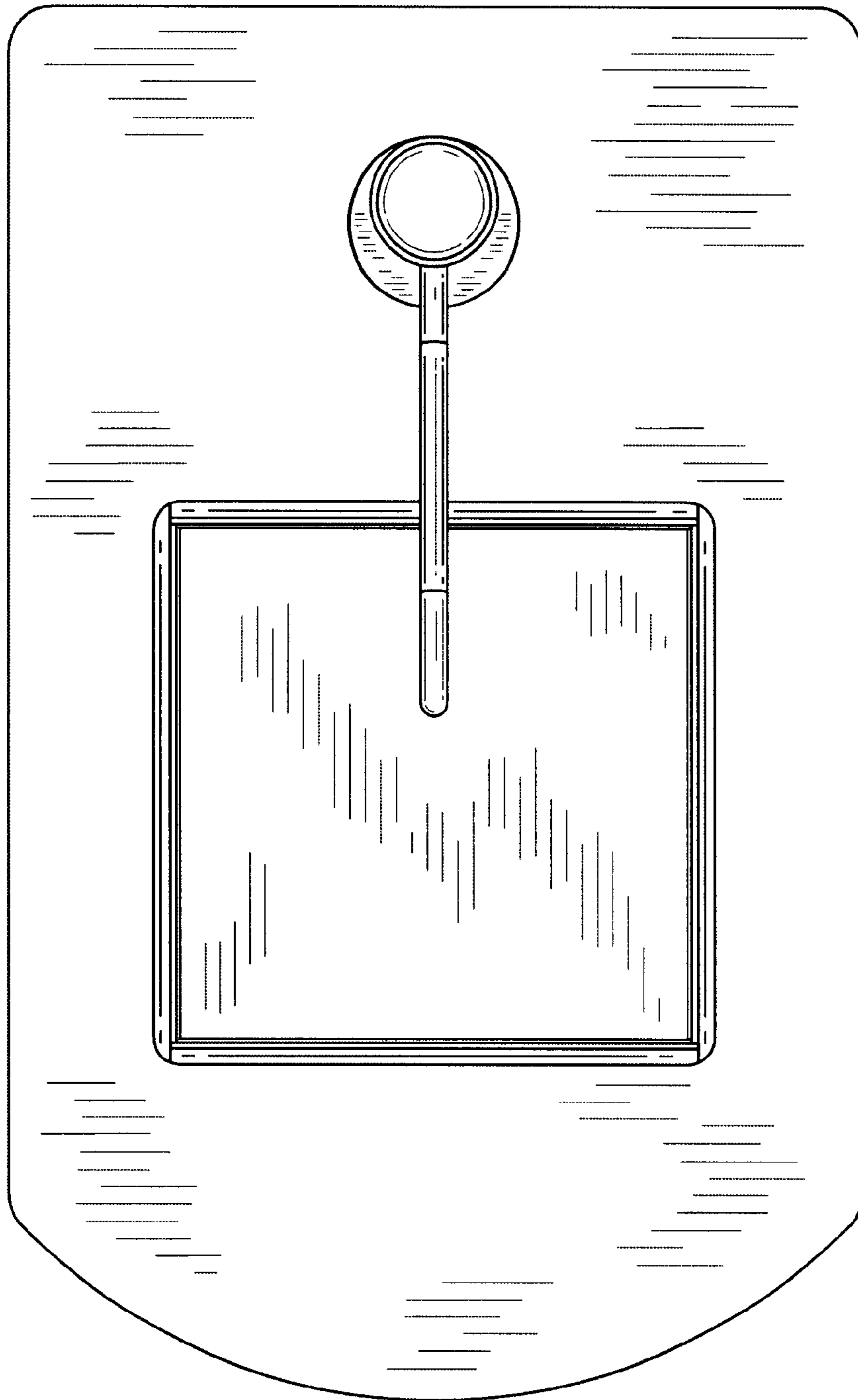


FIG. 5

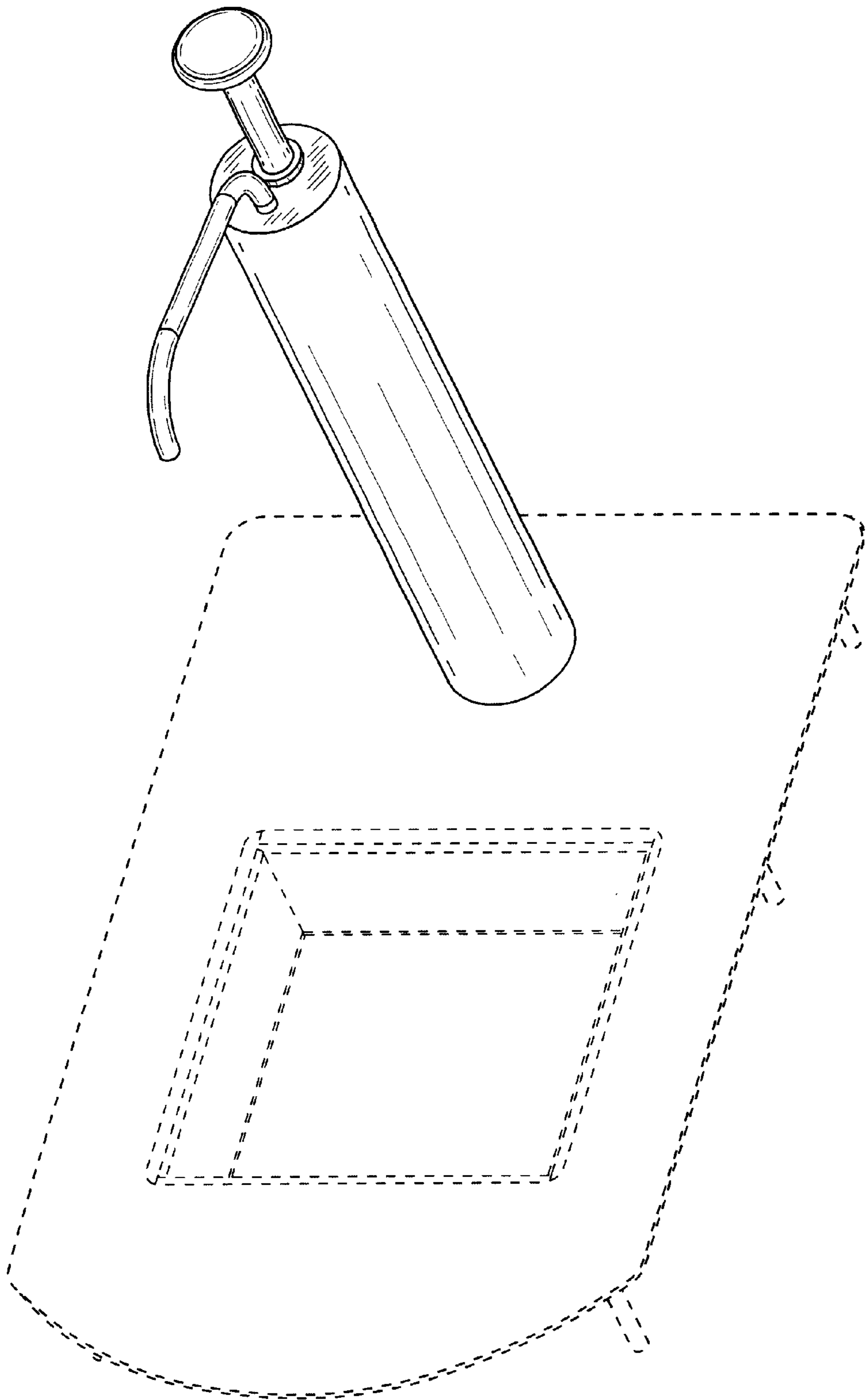


FIG. 6