



US00D487373S

(12) **United States Design Patent**  
**Ku**

(10) **Patent No.:** **US D487,373 S**

(45) **Date of Patent:** **\*\* Mar. 9, 2004**

(54) **INFLATABLE MAT**

(76) Inventor: **Tun-Jen Ku**, 16,Kuo Chung 2nd Rd,  
Da-Li City,Taichung (TW)

(\*\*) Term: **14 Years**

(21) Appl. No.: **29/177,057**

(22) Filed: **Mar. 1, 2003**

(51) **LOC (7) Cl.** ..... **06-09**

(52) **U.S. Cl.** ..... **D6/604**

(58) **Field of Search** ..... D6/595, 596, 601,  
D6/604, 605; D21/809; 5/15, 417, 419,  
420, 630, 631, 633, 634, 636, 644, 645,  
652, 653, 654, 655, 655.3, 706, 710, 713,  
727

(56) **References Cited**

**U.S. PATENT DOCUMENTS**

1,235,669	A	*	8/1917	Eggers	.....	5/710
D108,622	S	*	3/1938	Johnson	.....	D6/604
2,672,628	A	*	3/1954	Spanel	.....	5/706
D238,235	S	*	12/1975	Elgebrandt	.....	D6/596
4,234,977	A	*	11/1980	Snow	.....	5/419
4,234,978	A	*	11/1980	Snow	.....	5/419
D259,458	S	*	6/1981	Fuller et al.	.....	D6/596
D284,248	S	*	6/1986	Challen	.....	D6/601
4,712,258	A	*	12/1987	Eves	.....	5/652
D306,473	S	*	3/1990	Scheurer	.....	D21/809
D308,403	S	*	6/1990	LaForce, Jr.	.....	D21/809
5,103,514	A	*	4/1992	Leach	.....	5/655
D333,752	S	*	3/1993	Mason	.....	D6/596
D335,999	S	*	6/1993	Van Driessche	.....	D6/604

D342,855	S	*	1/1994	Butler, III	.....	D6/596
D357,595	S	*	4/1995	Roschacher	.....	D6/604
D370,584	S	*	6/1996	Treadwell et al.	.....	D6/596
D381,234	S	*	7/1997	Lupoff	.....	D6/601
5,652,981	A	*	8/1997	Singer-Leyton et al.	.....	5/631
5,855,033	A	*	1/1999	Frissen et al.	.....	5/706
5,974,608	A	*	11/1999	Haller et al.	.....	5/420
D419,495	S	*	1/2000	Muhanna	.....	5/706
6,138,306	A	*	10/2000	Muhanna	.....	5/706
D455,036	S	*	4/2002	Ku	.....	D6/604
6,393,639	B1	*	5/2002	Ohsner	.....	5/655
D463,701	S	*	10/2002	Borcharding et al.	.....	D6/601
D463,702	S	*	10/2002	Ku	.....	D6/604
6,463,605	B2	*	10/2002	Swagger, Jr.	.....	5/420

\* cited by examiner

*Primary Examiner*—Doris V. Coles  
*Assistant Examiner*—T. Chase Nelson  
(74) *Attorney, Agent, or Firm*—W. Wayne Liauh

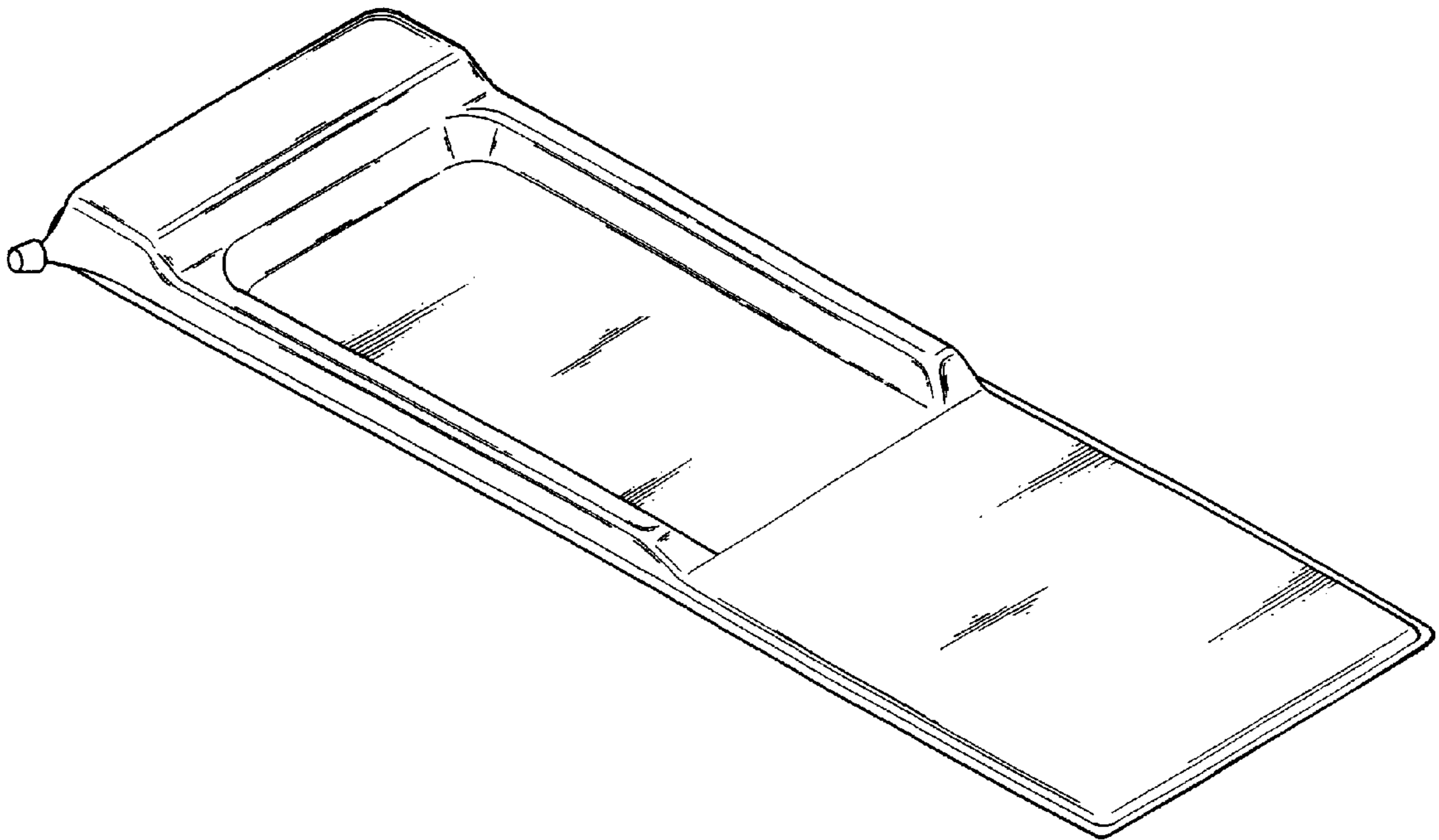
(57) **CLAIM**

The ornamental design for an inflatable mat, as shown and described.

**DESCRIPTION**

FIG. 1 is a perspective view of the inflatable mat of the present invention.  
FIG. 2 is a front elevational view thereof.  
FIG. 3 is a rear elevational view thereof.  
FIG. 4 is a left elevational view thereof.  
FIG. 5 is a right elevational view thereof.  
FIG. 6 is a top plan view thereof; and,  
FIG. 7 is a bottom plan view thereof.

**1 Claim, 6 Drawing Sheets**



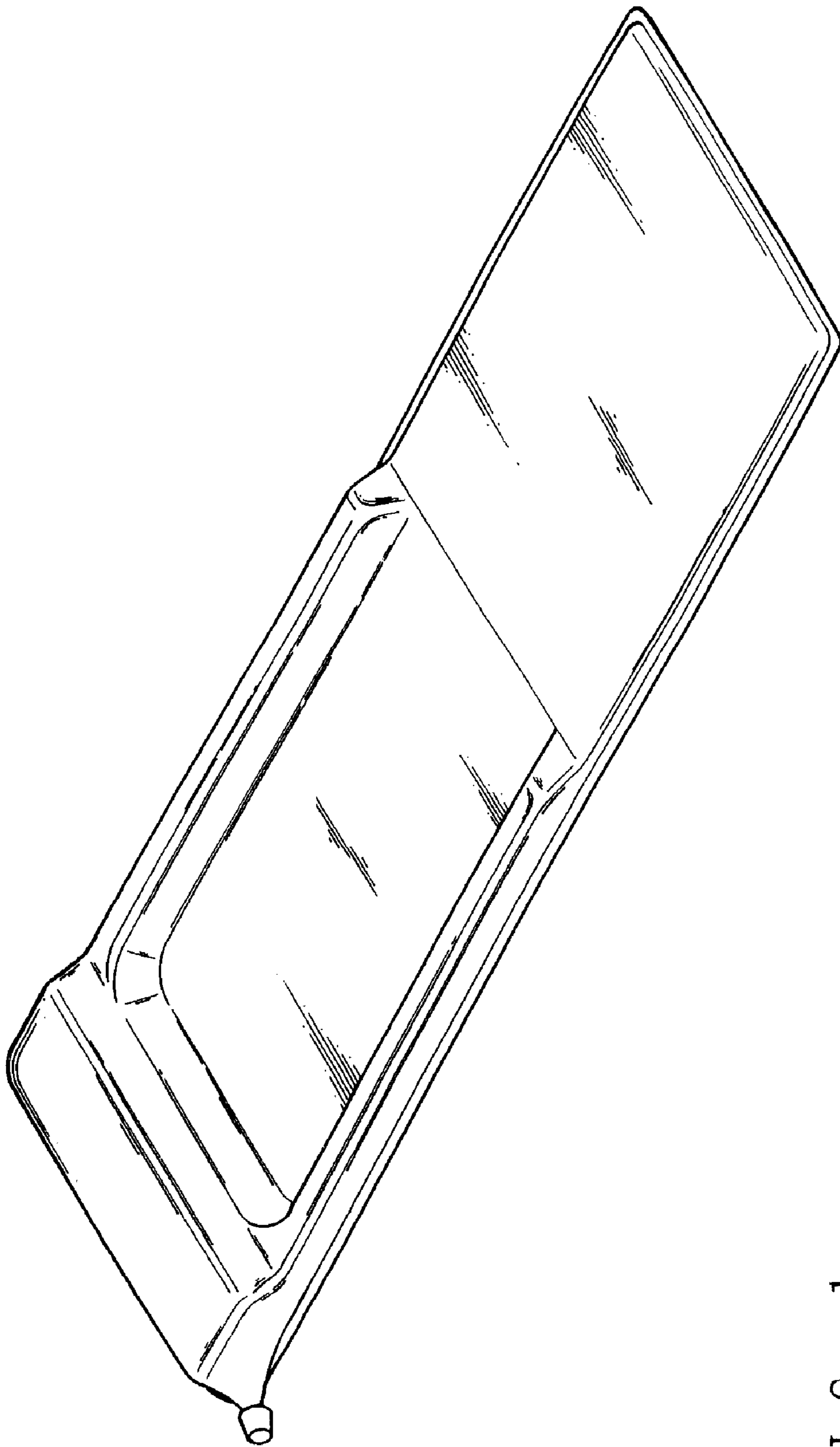


FIG. 1



FIG. 2



FIG. 3



FIG. 5



FIG. 4

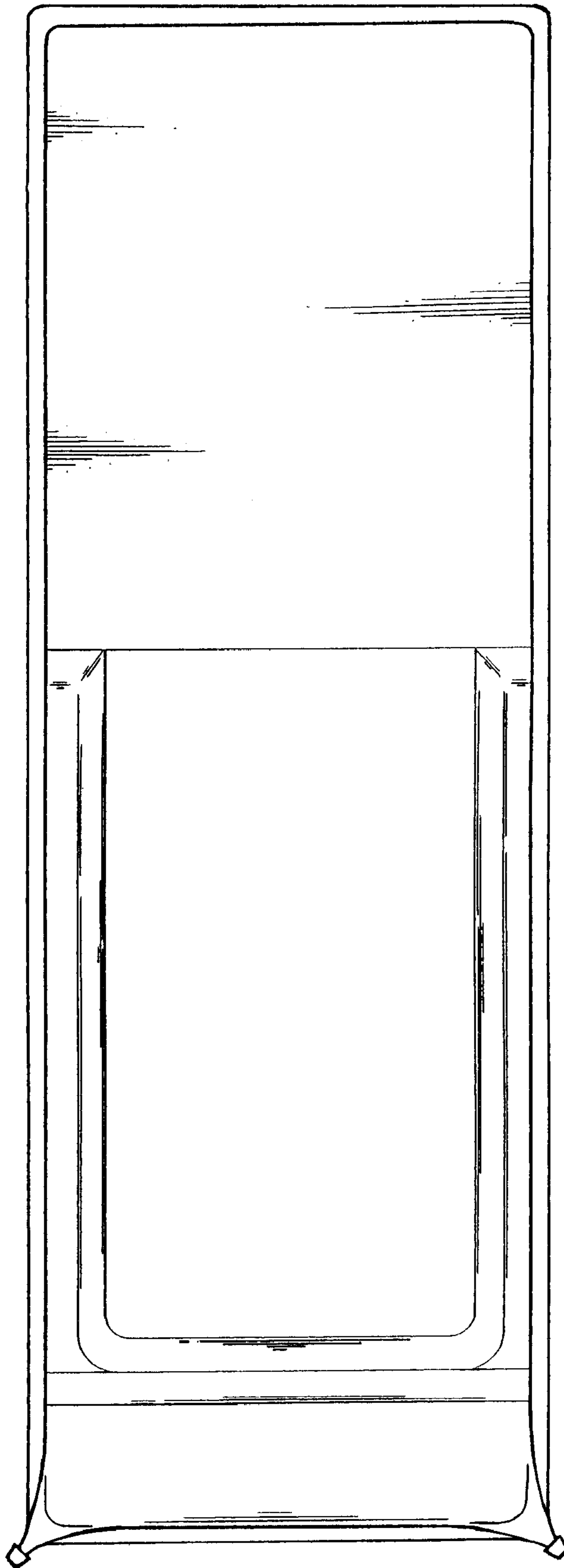


FIG. 6

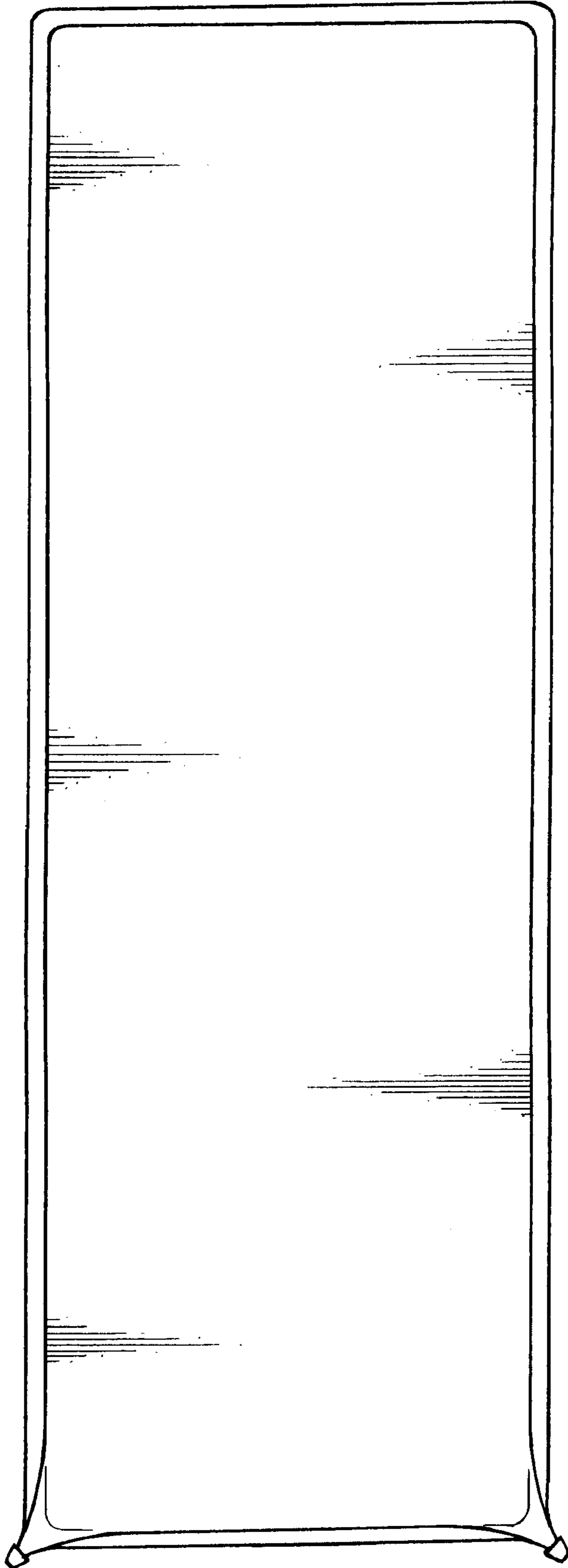


FIG. 7