



US00D487369S

(12) **United States Design Patent**  
**Miller et al.**

(10) **Patent No.:** **US D487,369 S**

(45) **Date of Patent:** **\*\* Mar. 9, 2004**

(54) **SHELVING**

(75) Inventors: **Michael Miller**, Fort Lee, NJ (US);  
**Jack Miller**, Englewood Cliffs, NJ  
(US); **David B. Jablow**, Warren, NJ  
(US); **Alan J. Kaufman**, Warren, NJ  
(US)

(73) Assignee: **Tube Technology, LLC**, Newark, NJ  
(US)

(\*\*) Term: **14 Years**

(21) Appl. No.: **29/173,600**

(22) Filed: **Dec. 31, 2002**

(51) **LOC (7) Cl.** ..... **06-04**

(52) **U.S. Cl.** ..... **D6/574**

(58) **Field of Search** ..... D6/511, 574; 108/54.1,  
108/102; 211/72, 86.01, 88.01, 88.02, 88.03,  
90.01, 90.02, 126.1, 134

(56) **References Cited**

**U.S. PATENT DOCUMENTS**

D105,885 S	*	8/1937	McDonald	.....	D6/566
D214,923 S	*	8/1969	Schier et al.	.....	D6/566
D282,995 S	*	3/1986	Beverly	.....	D6/566
D385,140 S	*	10/1997	Whitehead et al.	.....	D6/574
D455,585 S	*	4/2002	West	.....	D6/511

\* cited by examiner

*Primary Examiner*—Brian N. Vinson

(74) *Attorney, Agent, or Firm*—Warner Norcross & Judd  
LLP

(57) **CLAIM**

The ornamental design for shelving, as shown and  
described.

**DESCRIPTION**

FIG. 1 is a perspective view of the shelving embodying the  
new design;

FIG. 2 is a right side elevational view thereof, the left side  
being a mirror image thereof;

FIG. 3 is a top plan view thereof;

FIG. 4 bottom plan view thereof;

FIG. 5 is a front elevational view thereof;

FIG. 6 is a rear elevational view thereof;

FIG. 7 is a perspective view of a second embodiment of the  
shelving embodying the new design;

FIG. 8 is a right side elevational view thereof, the left side  
being a mirror image thereof;

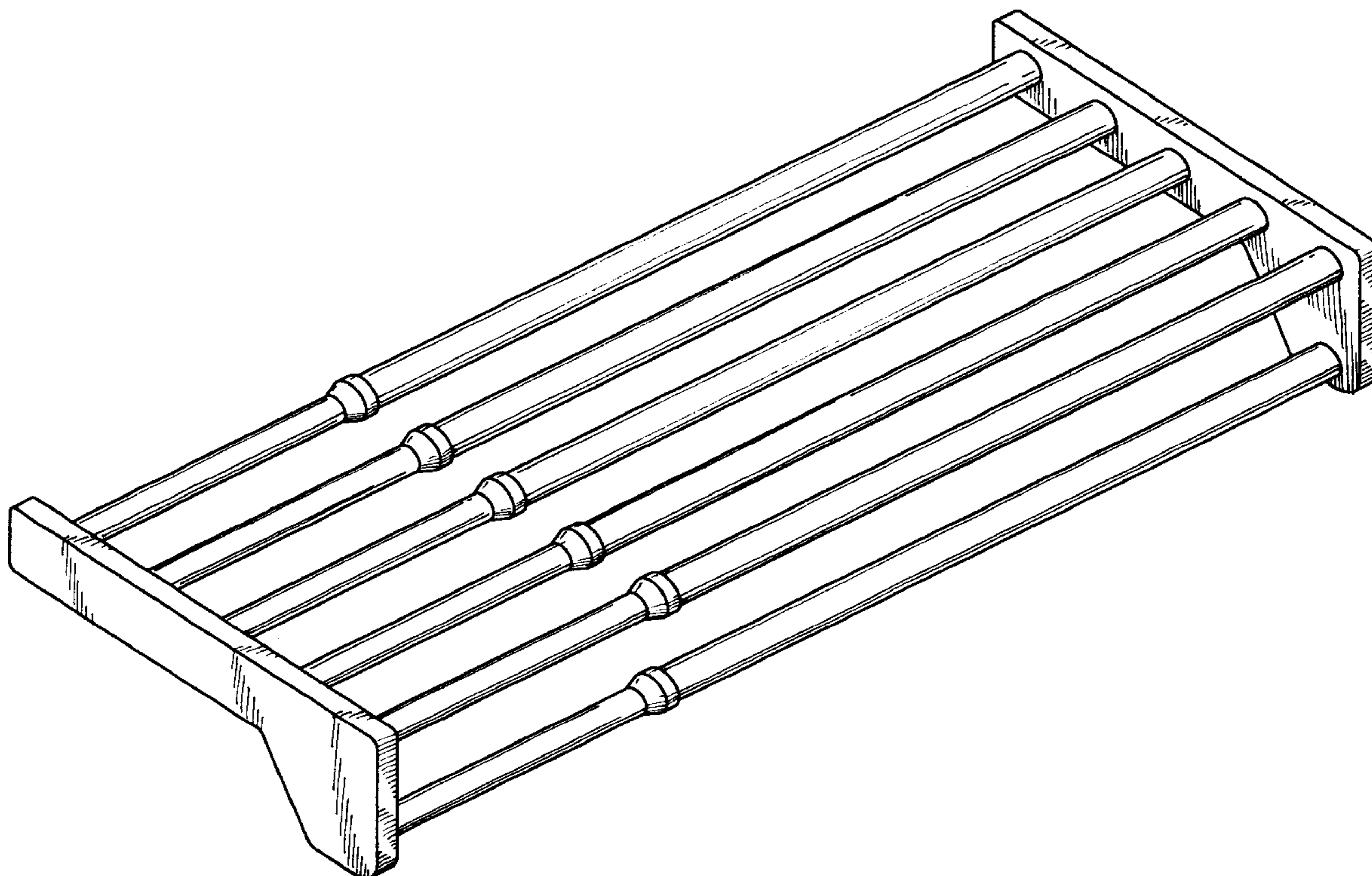
FIG. 9 is a top plan view thereof;

FIG. 10 bottom plan view thereof;

FIG. 11 is a front elevational view thereof; and,

FIG. 12 is a rear elevational view thereof.

**1 Claim, 8 Drawing Sheets**



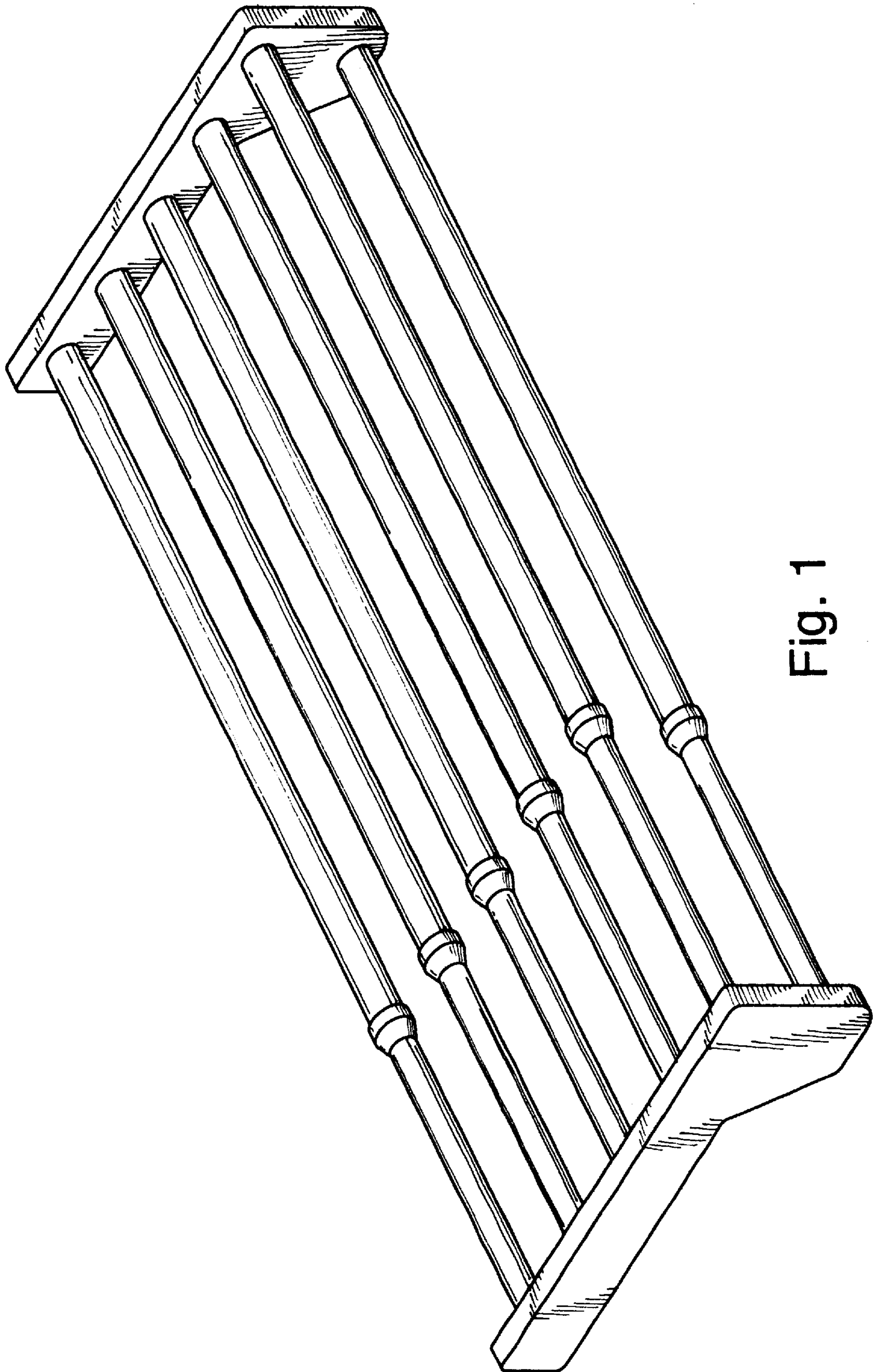


Fig. 1

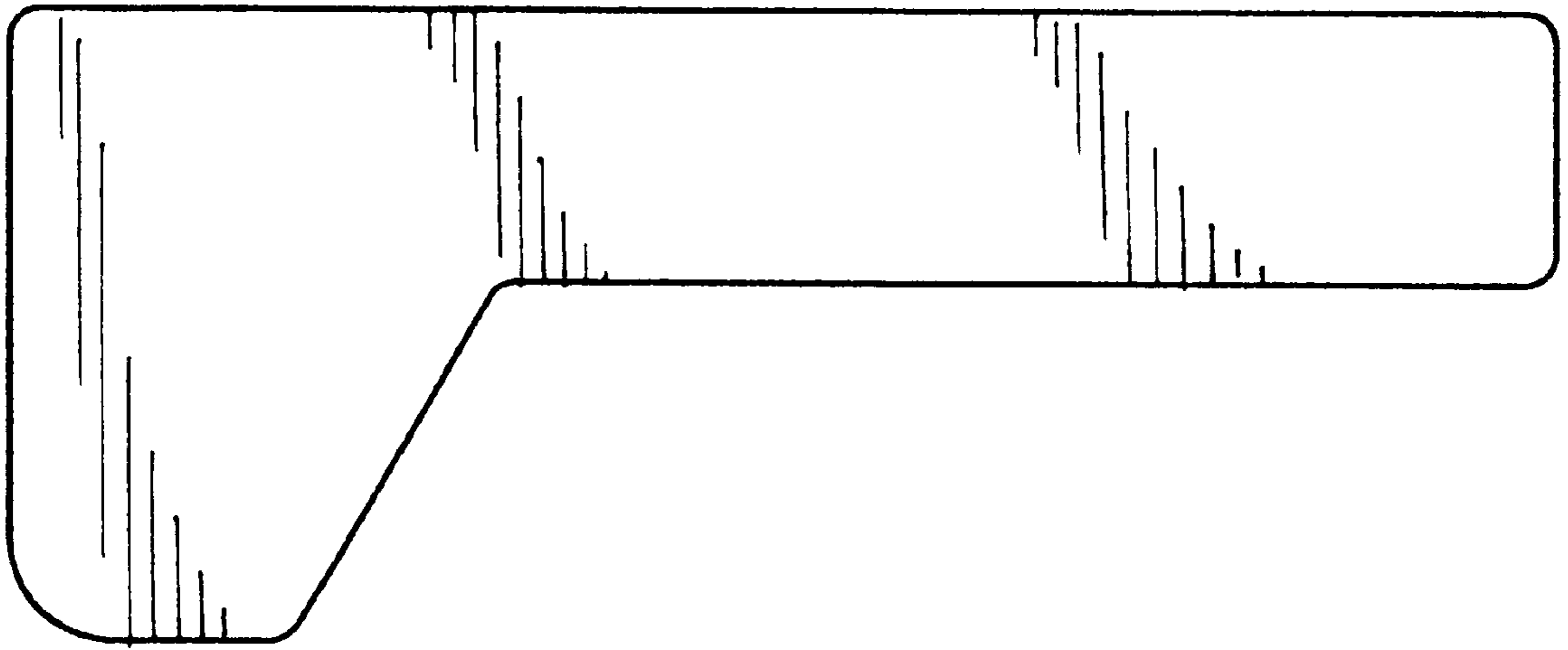


Fig. 2

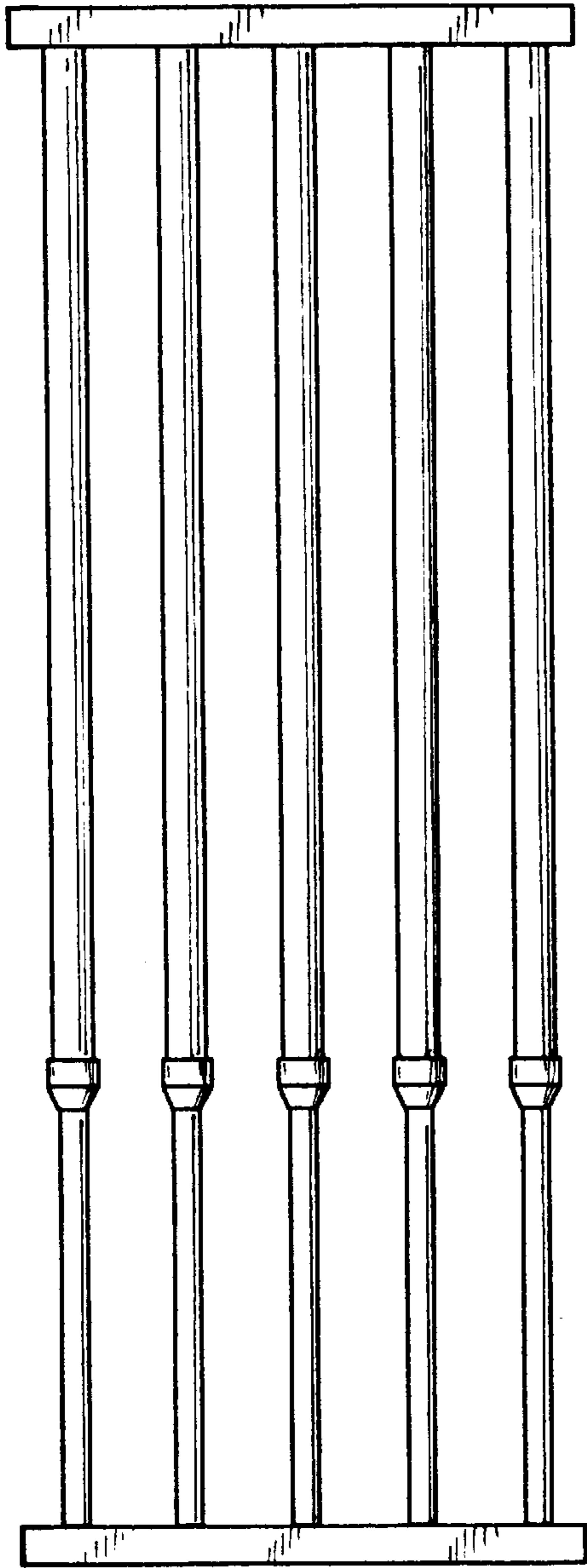


Fig. 3

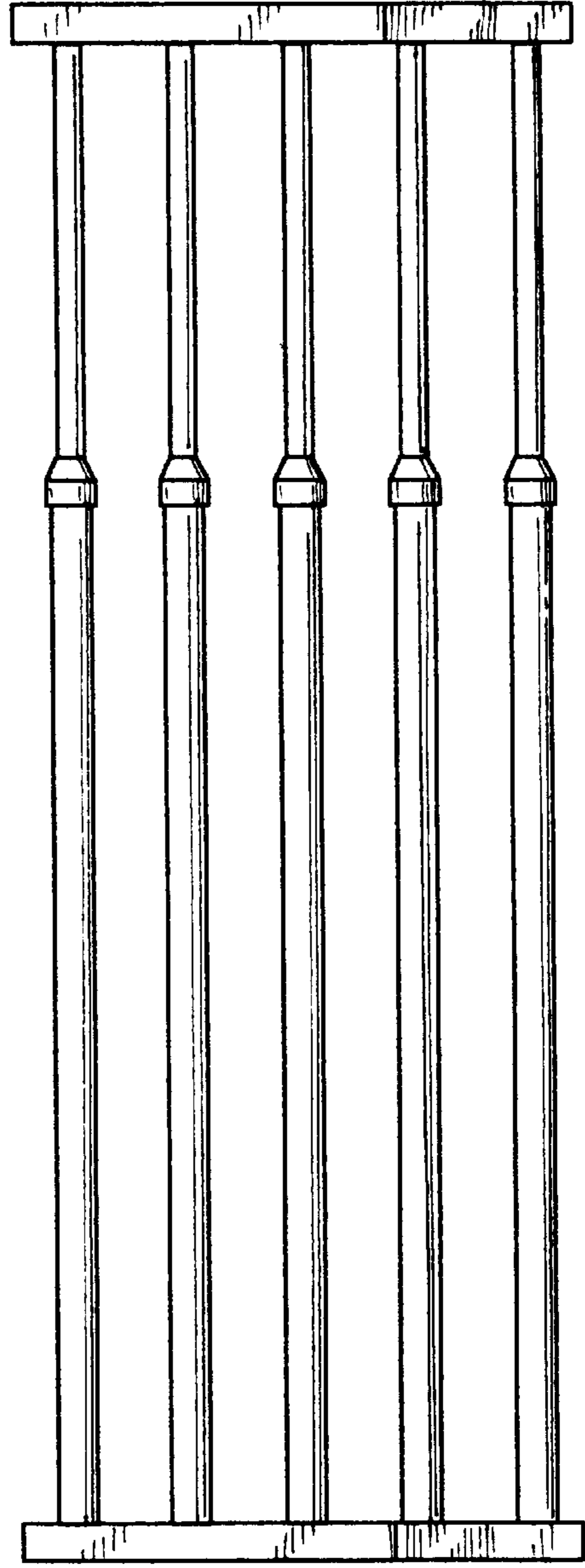


Fig. 4

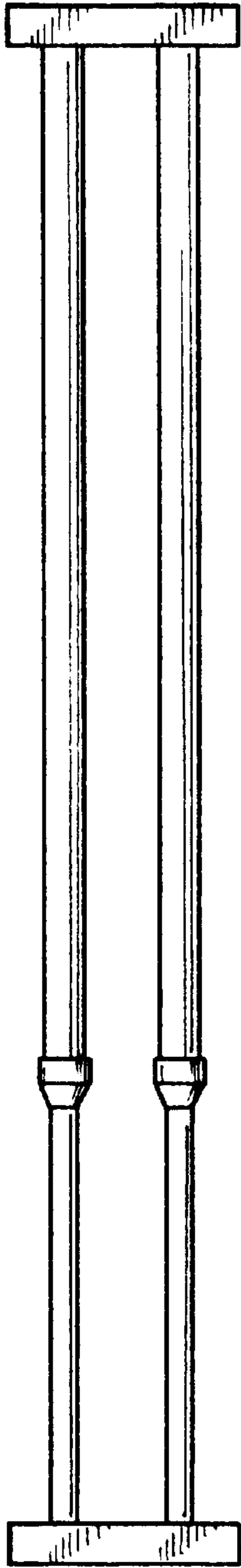


Fig. 5

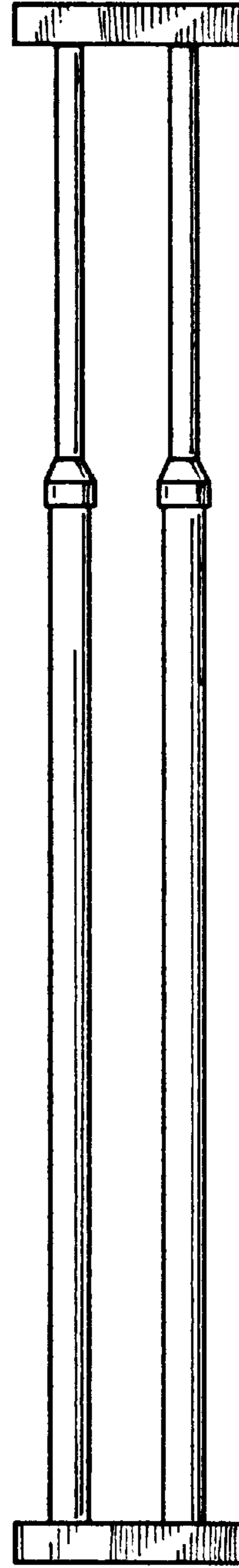


Fig. 6

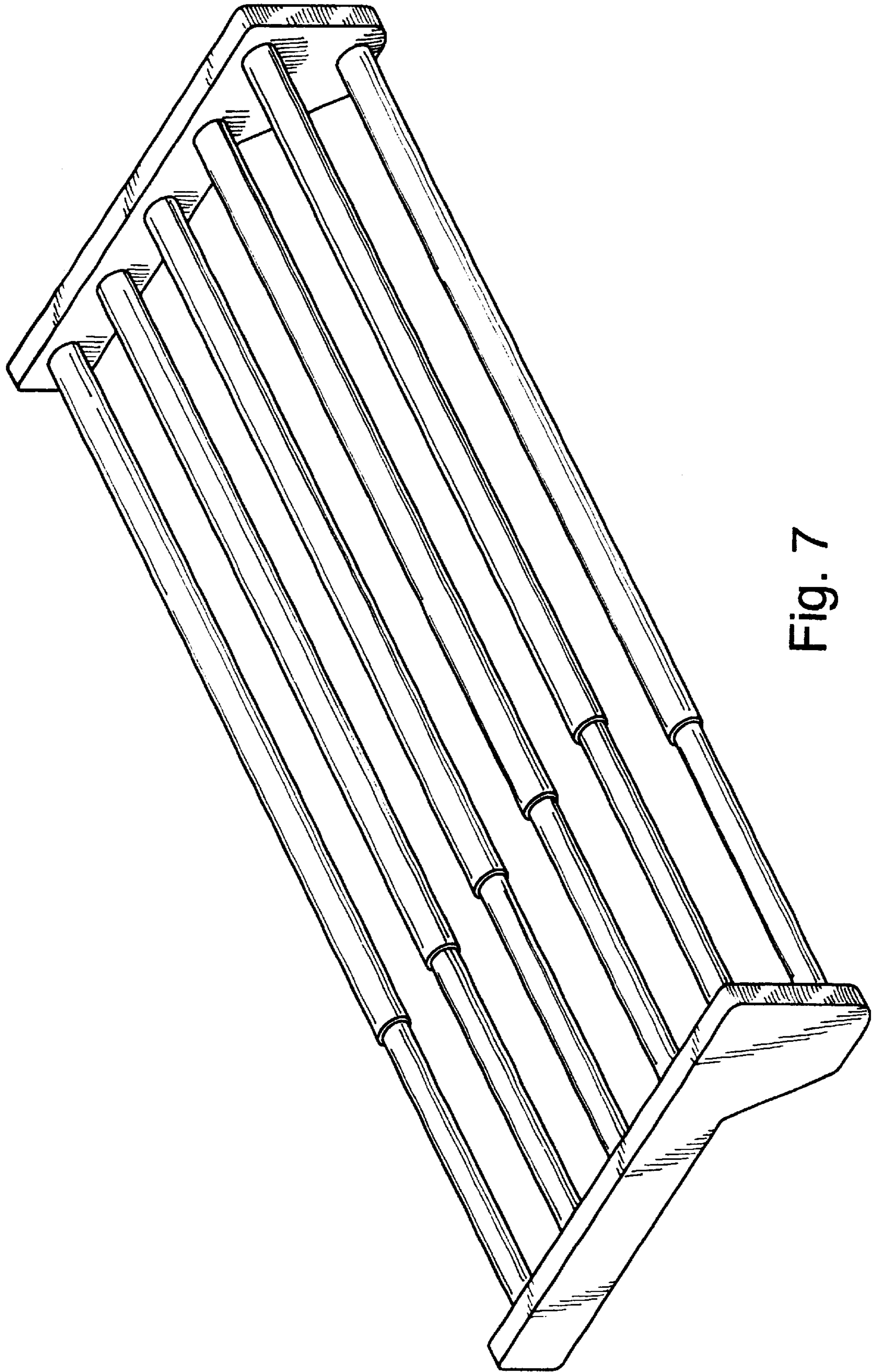


Fig. 7

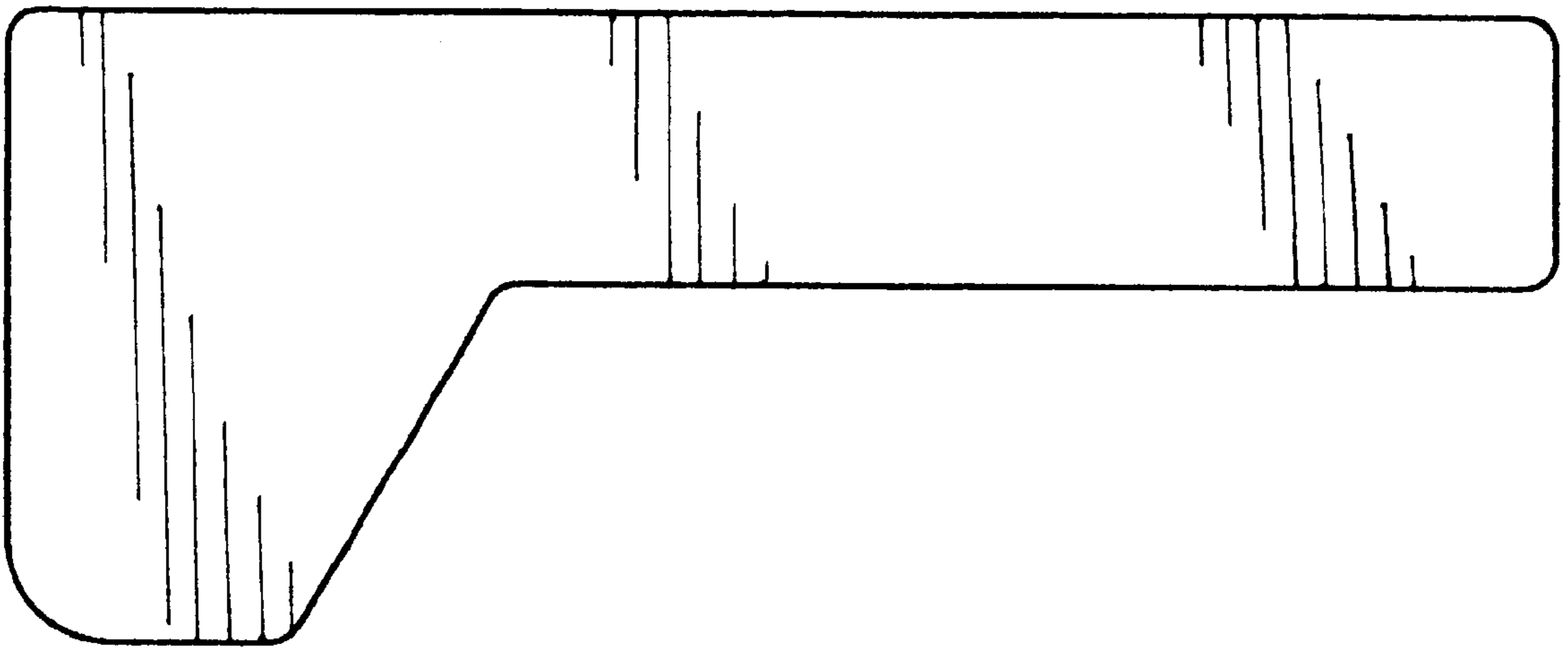


Fig. 8

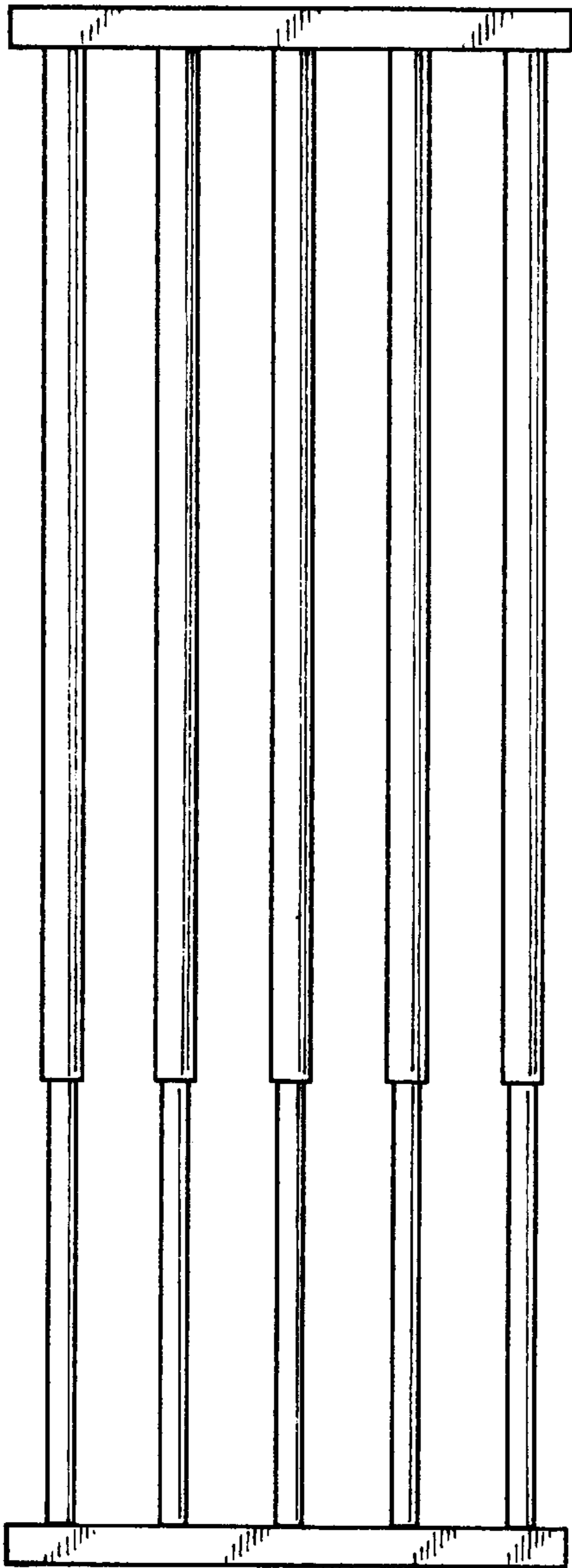


Fig. 9

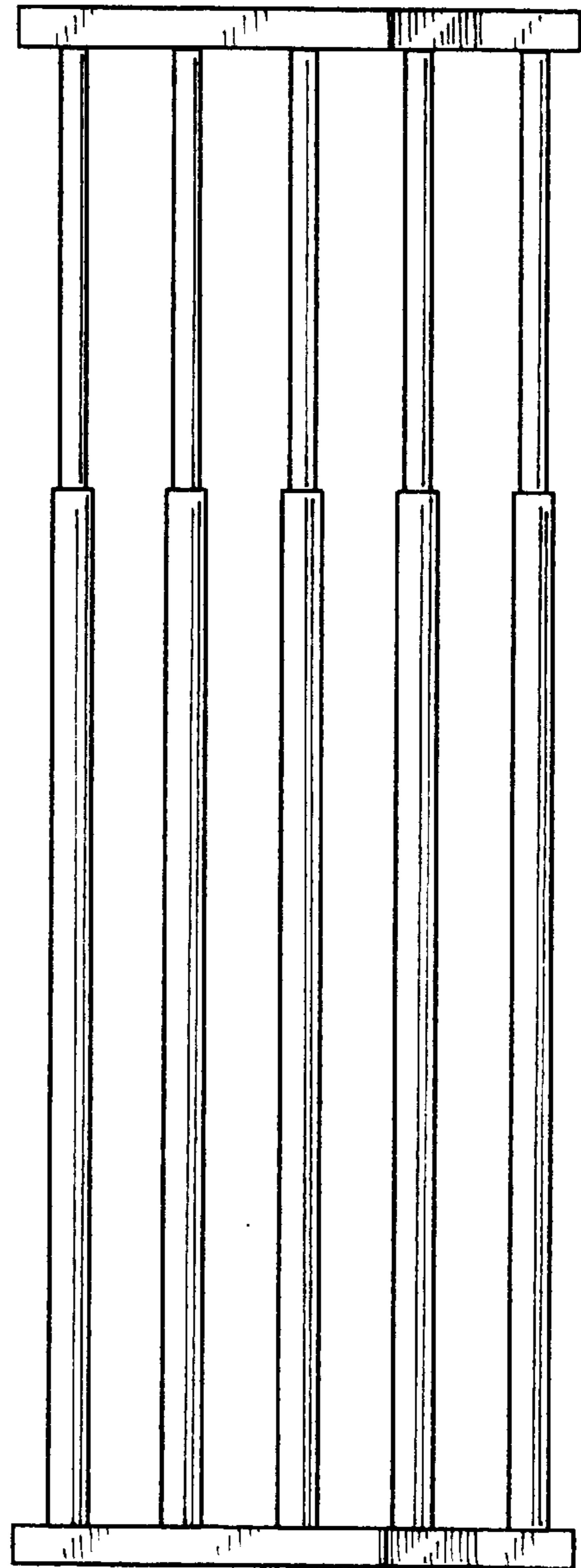


Fig. 10



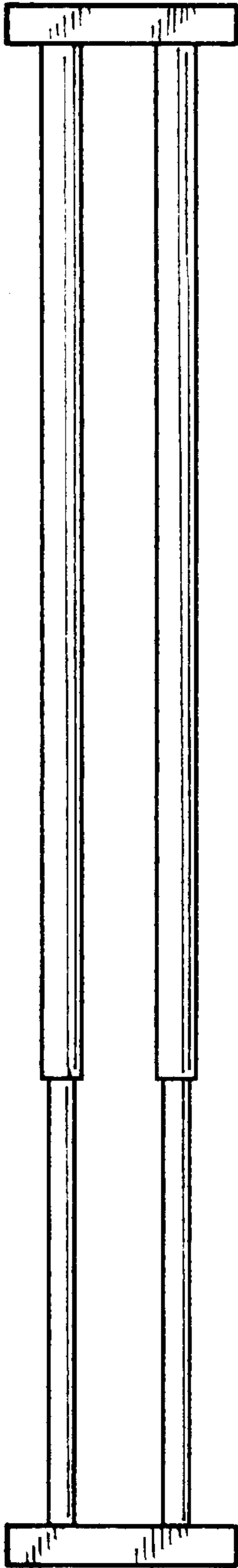


Fig. 11

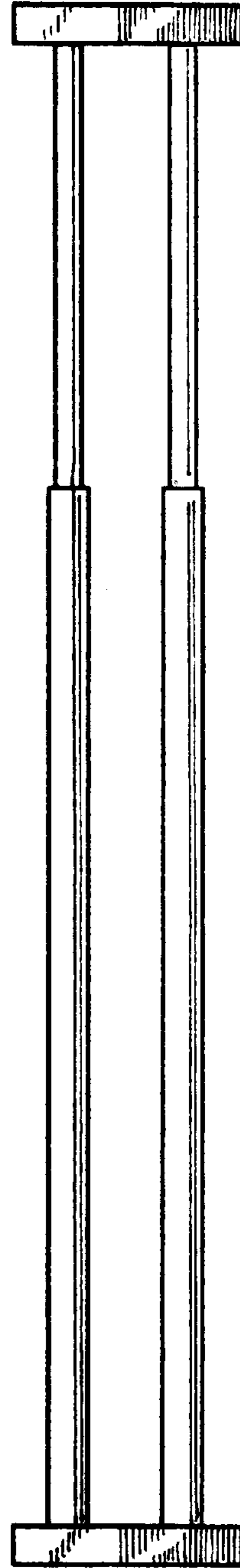


Fig. 12