



US00D487368S

(12) **United States Design Patent**  
**Hoernig**

(10) **Patent No.:** **US D487,368 S**

(45) **Date of Patent:** **\*\* Mar. 9, 2004**

(54) **TOWEL RING**

(75) Inventor: **Victor Hoernig**, Lowell, IN (US)

(73) Assignee: **Bath Unlimited, Inc.**, Fort Mill, SC (US)

(\*\*) Term: **14 Years**

(21) Appl. No.: **29/183,915**

(22) Filed: **Jun. 18, 2003**

(51) **LOC (7) Cl.** ..... **06-04**

(52) **U.S. Cl.** ..... **D6/546**

(58) **Field of Search** ..... D6/546-50, 518,  
D6/522-24; D8/300, 303, 315-21, 354,  
363, 373, 380; 108/28-29; 211/13.1, 16,  
60.1, 86.01, 87.01, 88.01, 88.04, 100, 105.1-105.2,  
119.003, 123, 126.1, 133.6, 134, 181.1,  
182; 248/175, 176.1, 200, 214, 251, 302,  
309.1; 16/110.1, 412, 415; 242/570, 590,  
595-598; 206/389, 557

(56) **References Cited**

**U.S. PATENT DOCUMENTS**

D336,726 S \* 6/1993 Paulin et al. .... D6/549

D417,576 S \* 12/1999 Ming-Hsiao ..... D6/549  
D439,091 S \* 3/2001 Milrud et al. .... D6/549  
D439,093 S \* 3/2001 Goodman et al. .... D6/549  
D465,954 S \* 11/2002 Chen ..... D6/549  
D466,743 S \* 12/2002 Ouyoung ..... D6/549  
D478,449 S \* 8/2003 Hoernig ..... D6/549

\* cited by examiner

*Primary Examiner*—Brian N. Vinson

(74) *Attorney, Agent, or Firm*—Edgar A. Zarins; Lloyd D. Doigan

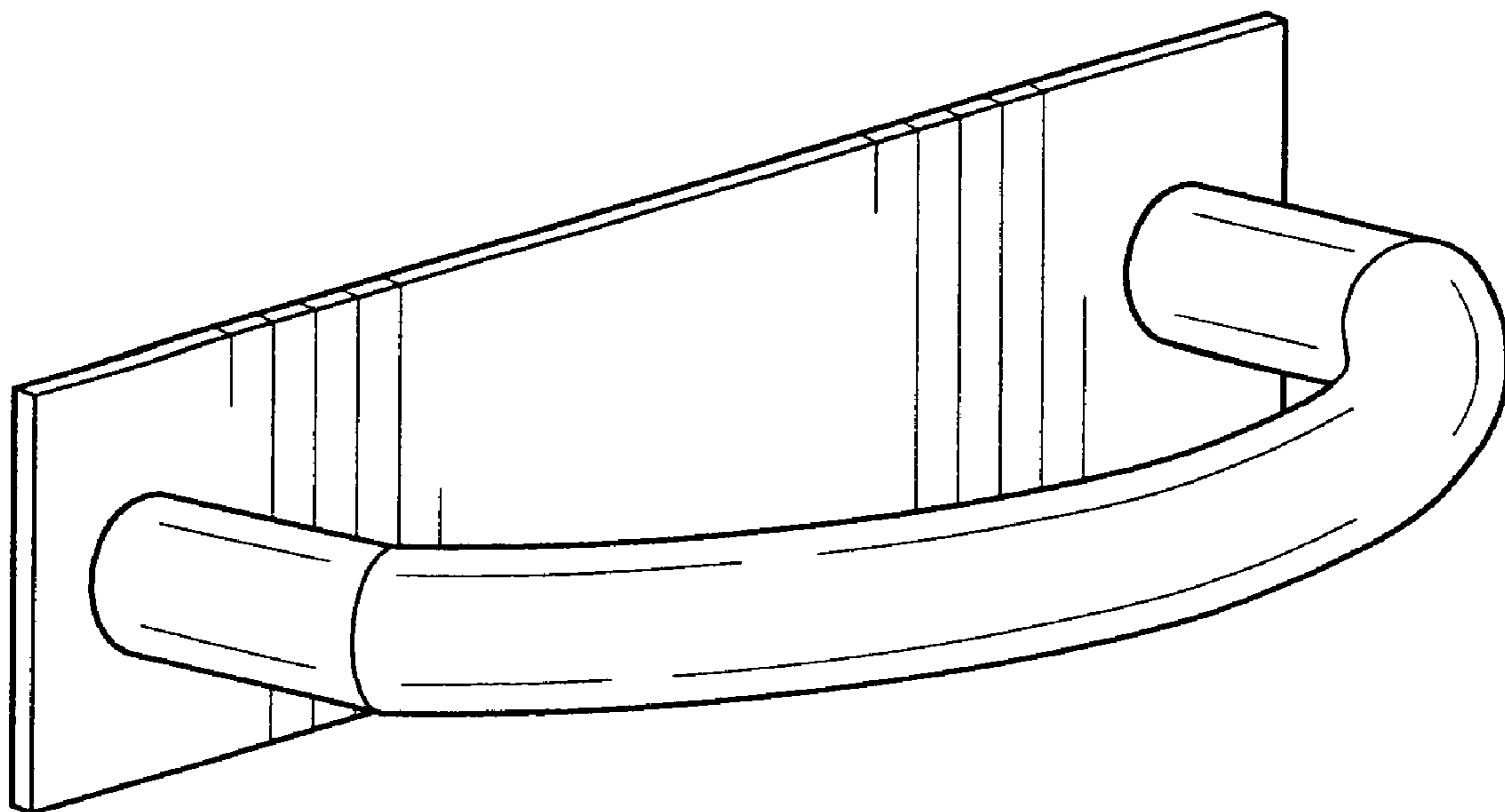
(57) **CLAIM**

The ornamental design for a towel ring, as shown and described.

**DESCRIPTION**

FIG. 1 is a perspective view of a towel ring showing my new design;  
FIG. 2 is an end view thereof, the opposite end being a mirror image of the end shown; and  
FIG. 3 is a front elevational view thereof; and,  
FIG. 4 is a top plan view thereof, the opposite side being a mirror image of the side shown.

**1 Claim, 1 Drawing Sheet**



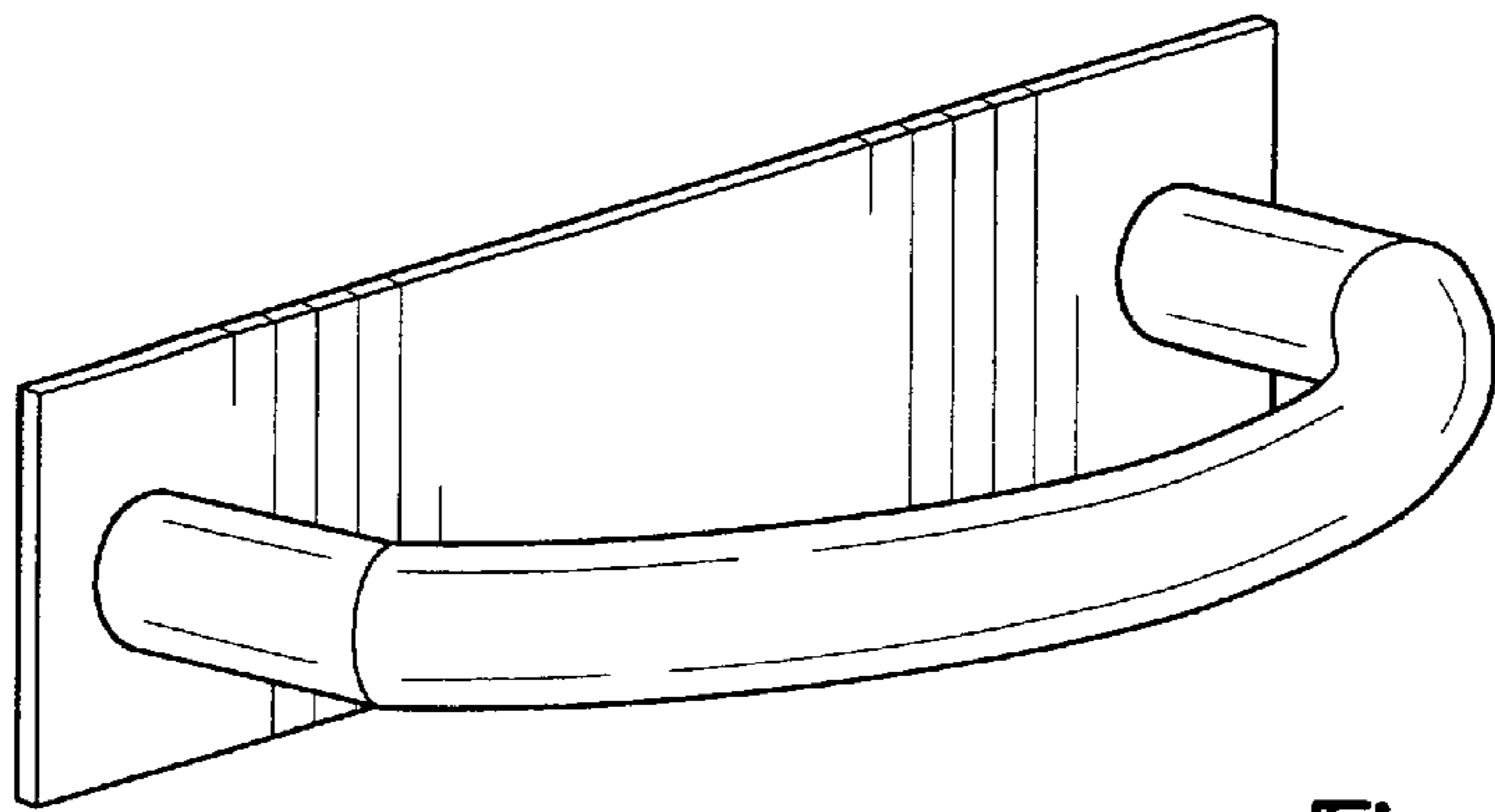


Fig-1

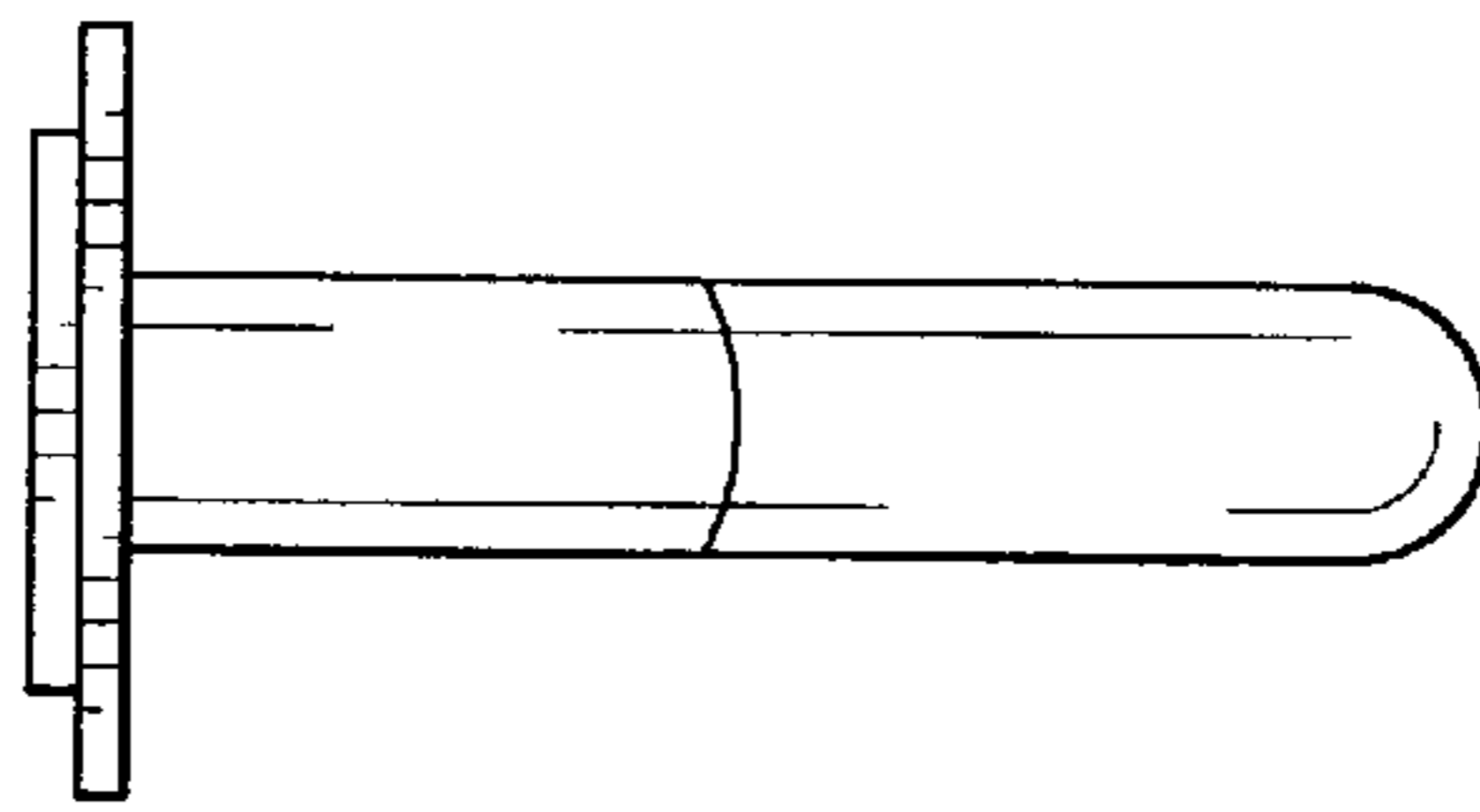


Fig-2

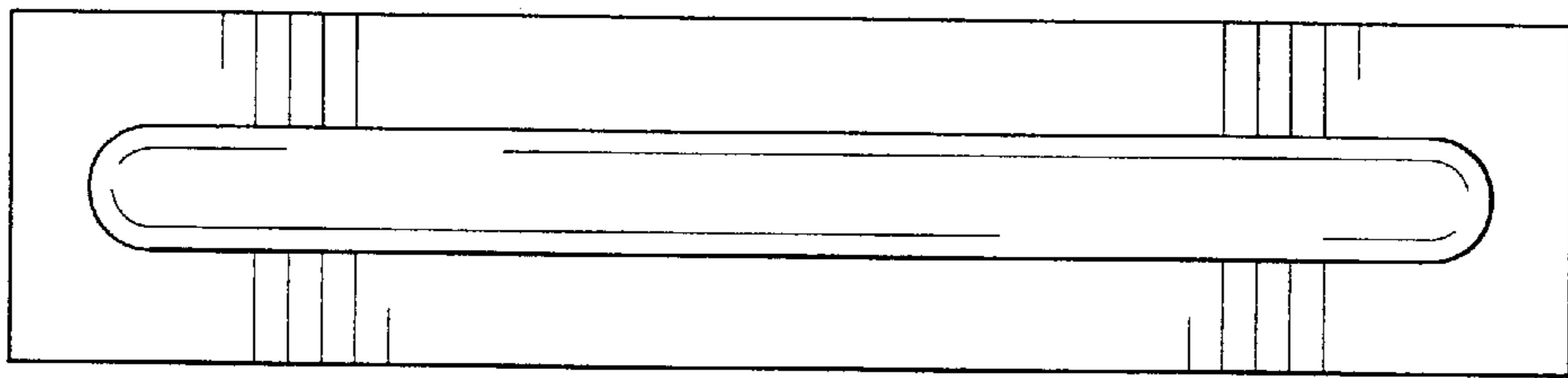


Fig-3

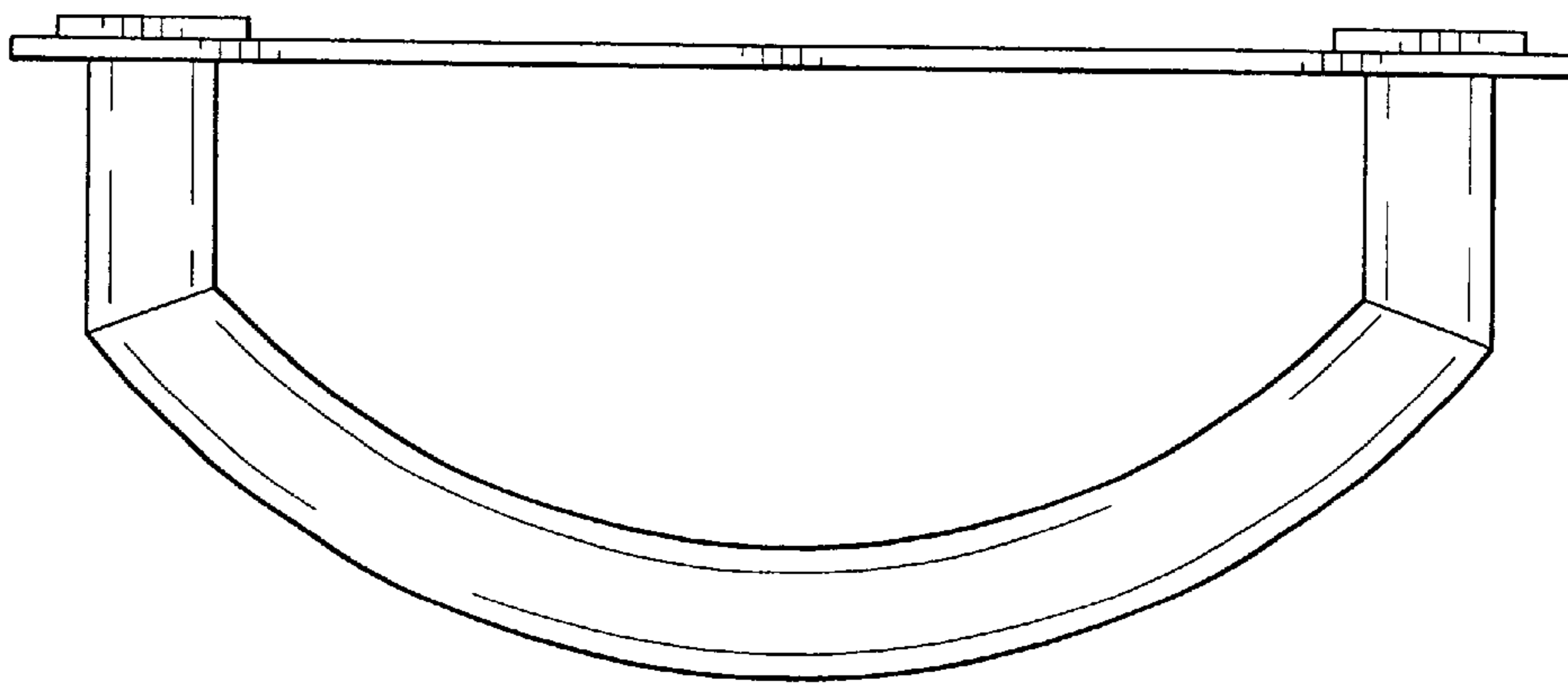


Fig-4