



US00D487366S

(12) **United States Design Patent**
Peyker

(10) **Patent No.:** **US D487,366 S**
(45) **Date of Patent:** **** Mar. 9, 2004**

(54) **OPTICAL DISPLAY CASE**

(75) Inventor: **Katharina Peyker**, Salzburg/Anif (AT)

(73) Assignee: **Silhouette International Schmied AG**,
Linz (AT)

(**) Term: **14 Years**

(21) Appl. No.: **29/162,810**

(22) Filed: **Jun. 21, 2002**

(30) **Foreign Application Priority Data**

Apr. 11, 2002 (AT) MU 1180/2002

(51) **LOC (7) Cl.** **06-04**

(52) **U.S. Cl.** **D6/467**

(58) **Field of Search** D6/457, 466-469;
108/103, 105, 139; 211/126.15, 163, 201,
88.01, 85.1, 85.23, 41.2, 41.7, 42, 51, 85.3,
70, 126.9, 131.1, 181.1, 205, 133.2

(56) **References Cited**

U.S. PATENT DOCUMENTS

D269,145 S	*	5/1983	Druiz et al.	D6/468
D269,833 S	*	7/1983	Chubb	D6/468
D366,974 S	*	2/1996	Nitlich	D6/468
D478,226 S	*	8/2003	Peyker	D6/467

* cited by examiner

Primary Examiner—Cathron C. Brooks

(74) *Attorney, Agent, or Firm*—Alston & Bird LLP

(57) **CLAIM**

The ornamental design for an optical display case, as shown and described.

DESCRIPTION

FIG. 1 is a side perspective view of an optical display case according to the present design;

FIG. 2 is a top plan view of the optical display case of FIG. 1;

FIG. 3 is a front elevation view of the optical display case of FIG. 1;

FIG. 4 is a right elevation view of the optical display case of FIG. 1, the left elevation view being a mirror image thereof;

FIG. 5 is a side perspective view of an alternative configuration of the optical display case of FIG. 1;

FIG. 6 is a top plan view of the optical display case of FIG. 5;

FIG. 7 is a front elevation view of the optical display case of FIG. 5;

FIG. 8 is a right elevation view of the optical display case of FIG. 5, the left elevation view being a mirror image thereof;

FIG. 9 is a side perspective view of an alternative embodiment of an optical display case according to the present design;

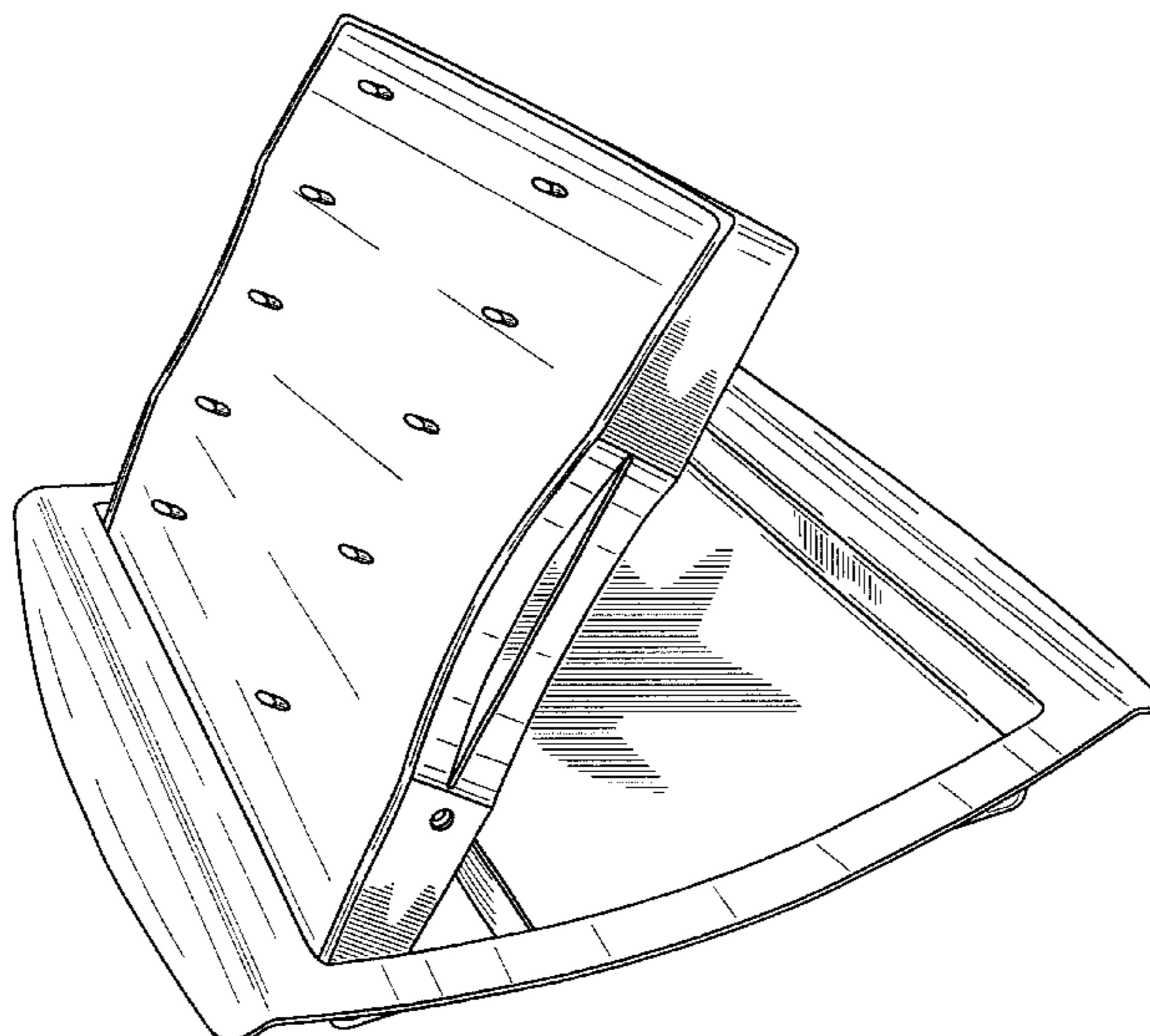
FIG. 10 is a top plan view of the optical display case of FIG. 9;

FIG. 11 is a front elevation view of the optical display case of FIG. 9; and,

FIG. 12 is a side elevation view of the optical display case of FIG. 9.

The broken lines shown herein are for illustrative purposes only and form no part of the claimed design.

1 Claim, 9 Drawing Sheets



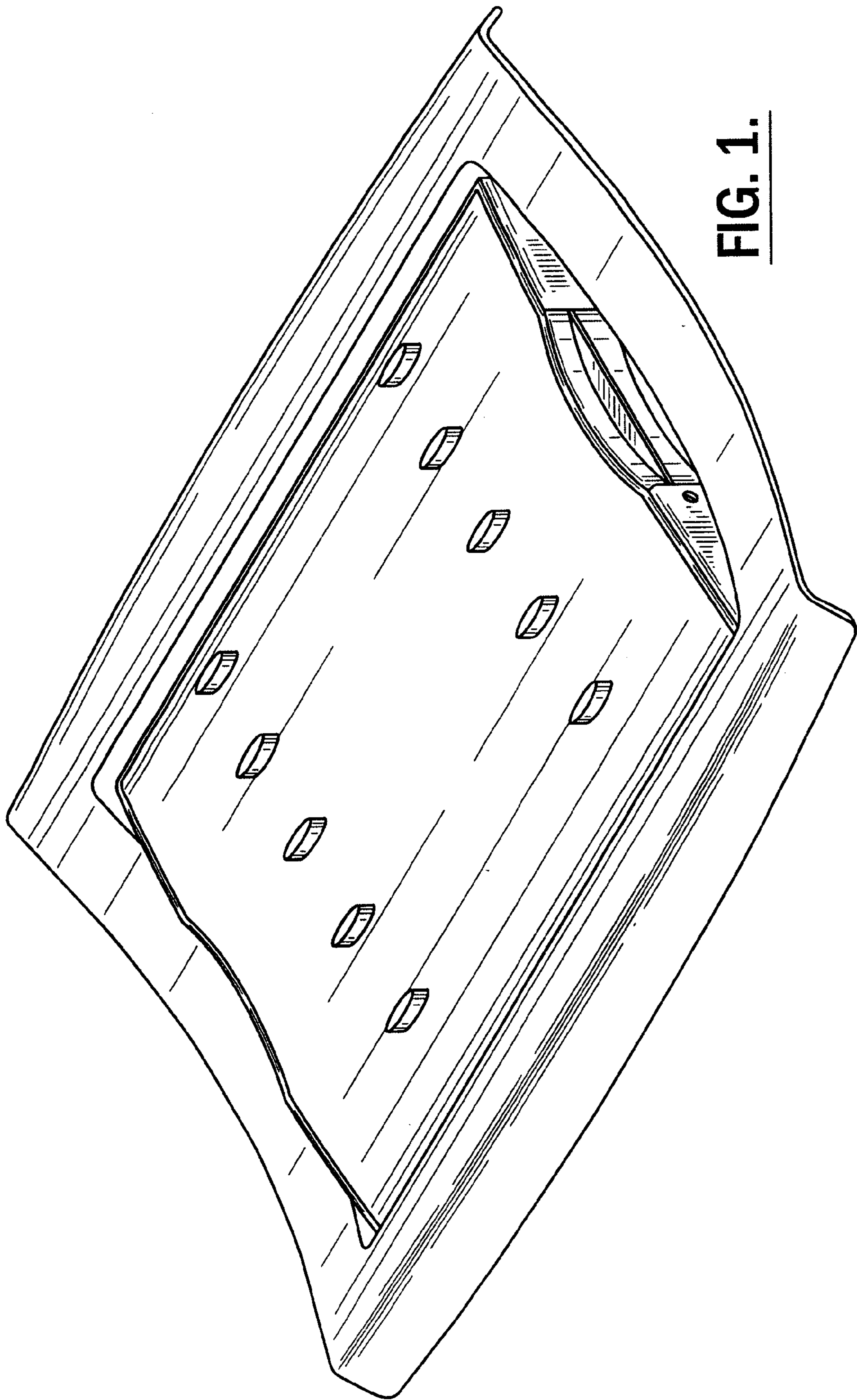


FIG. 1.

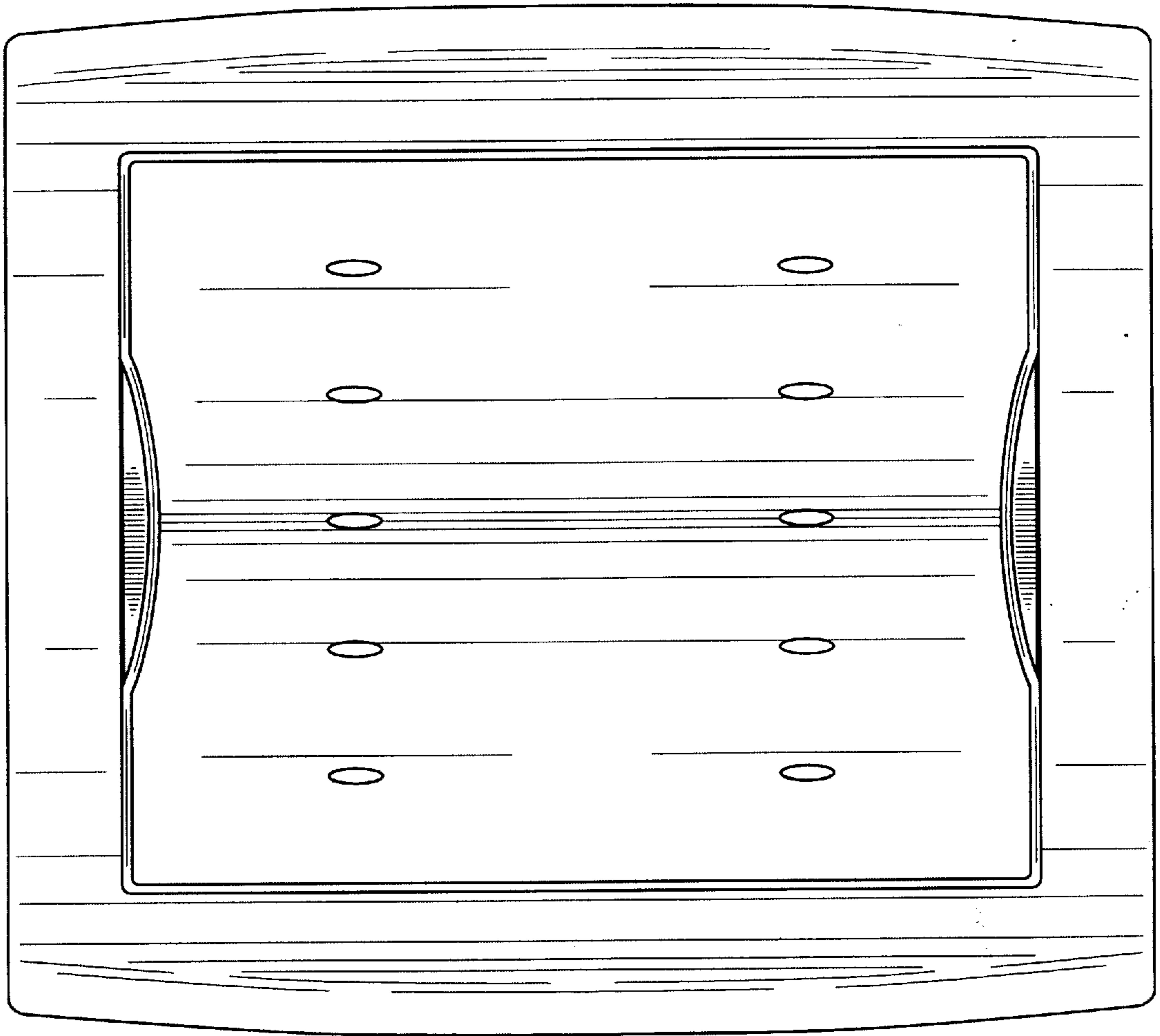


FIG. 2.

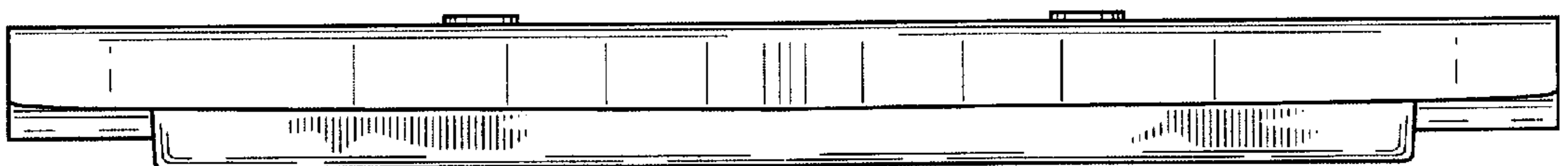


FIG. 3.

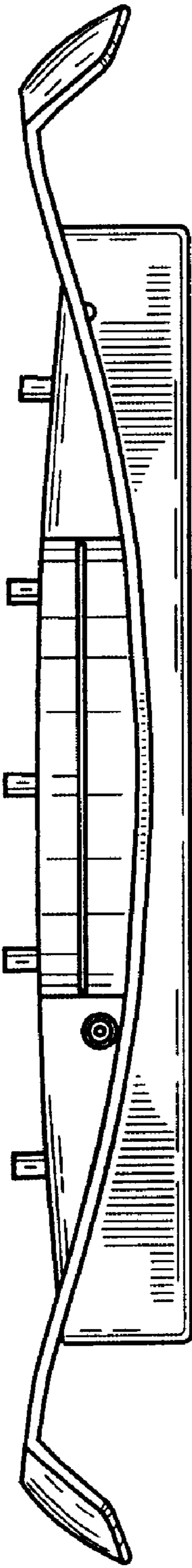


FIG. 4.

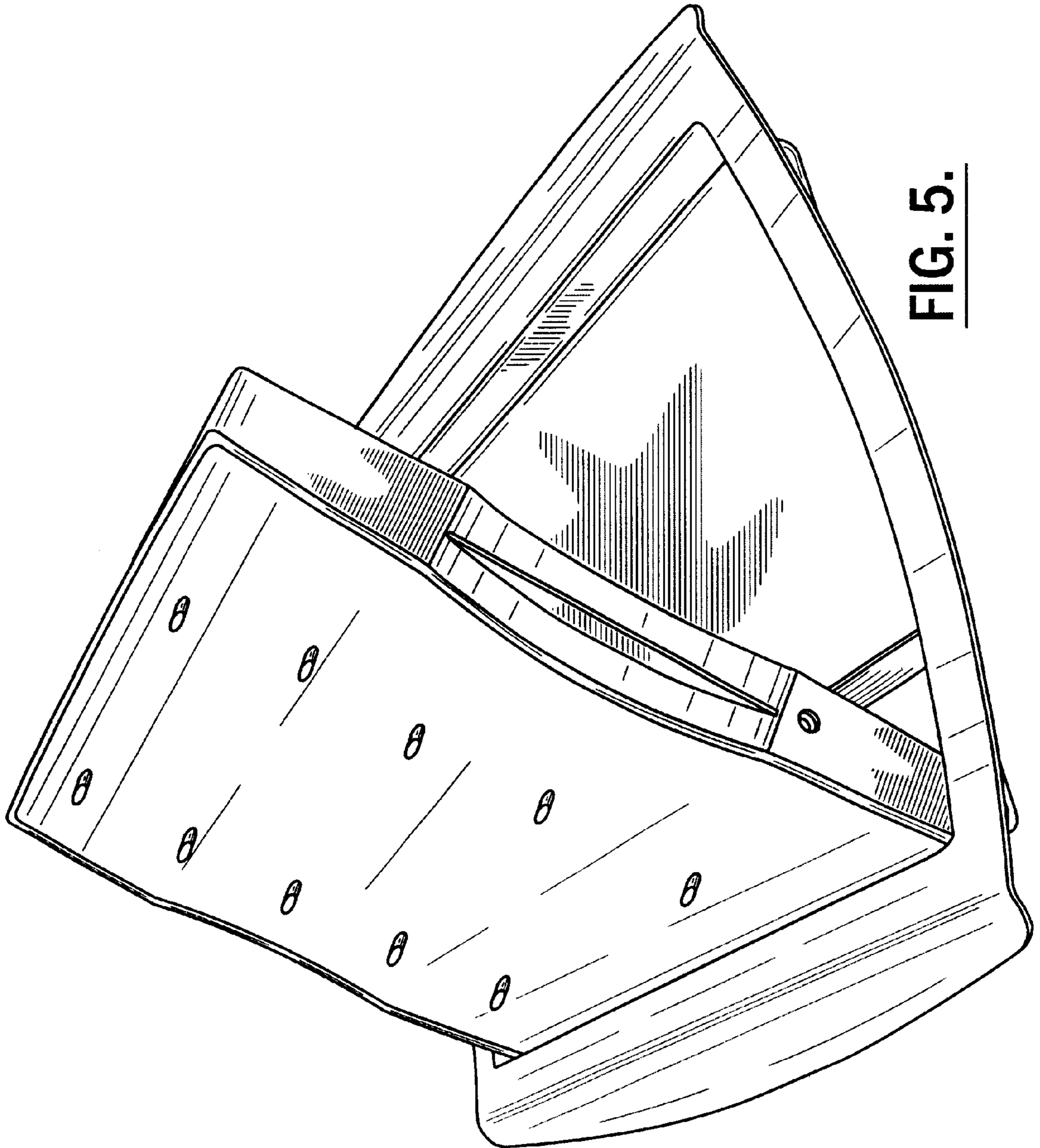


FIG. 5.

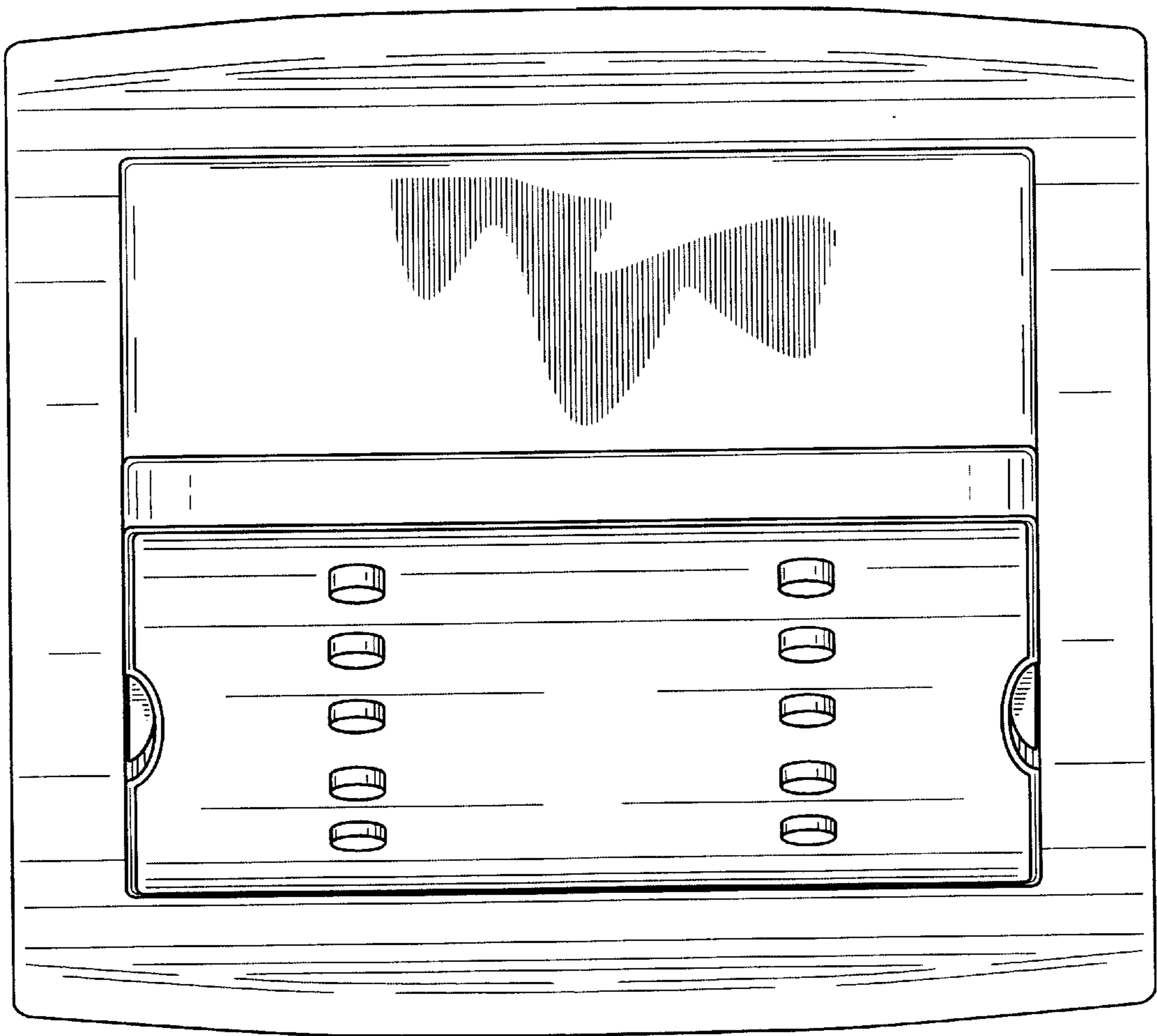


FIG. 6.

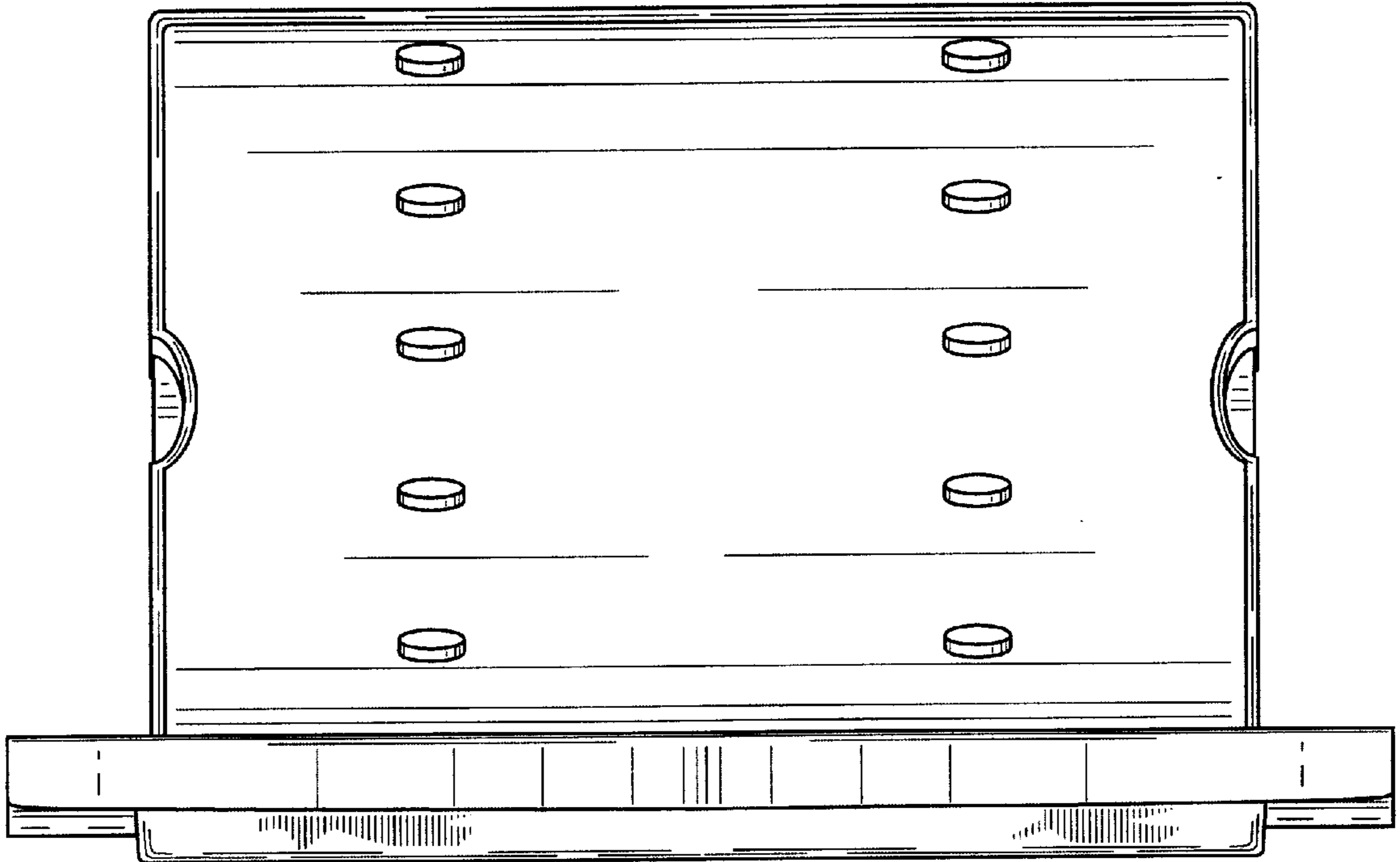


FIG. 7.

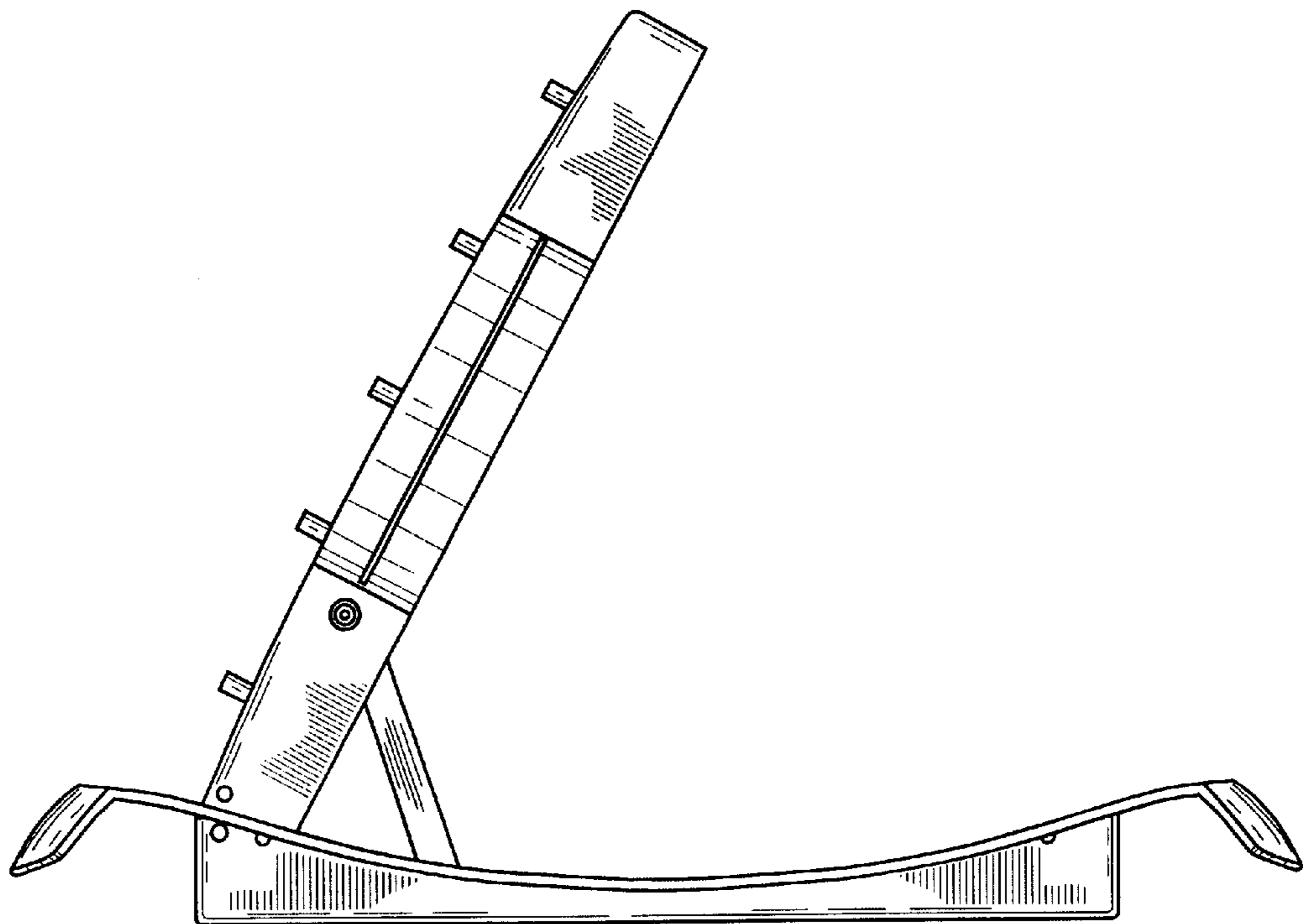


FIG. 8.

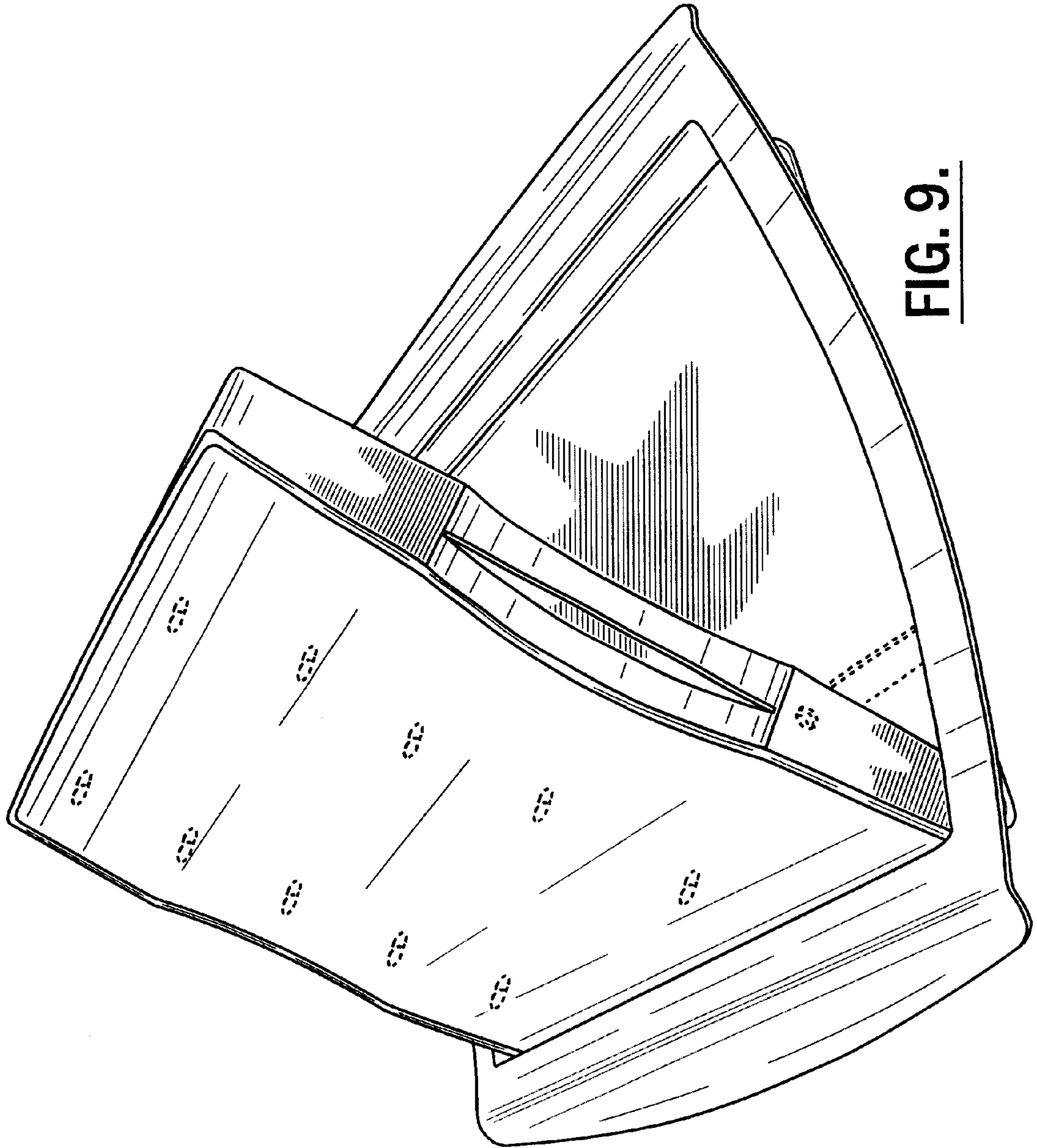


FIG. 9.

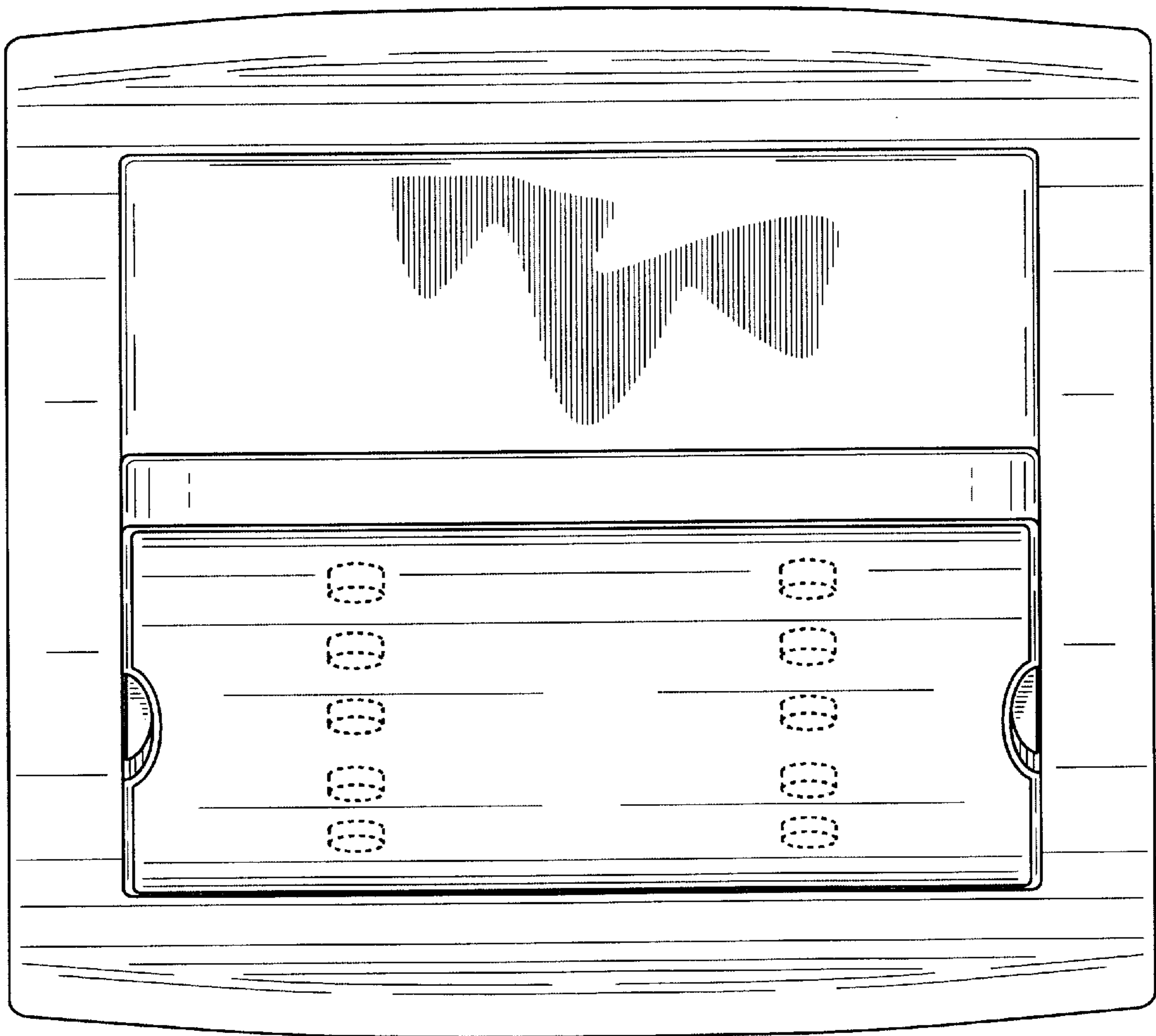


FIG. 10.

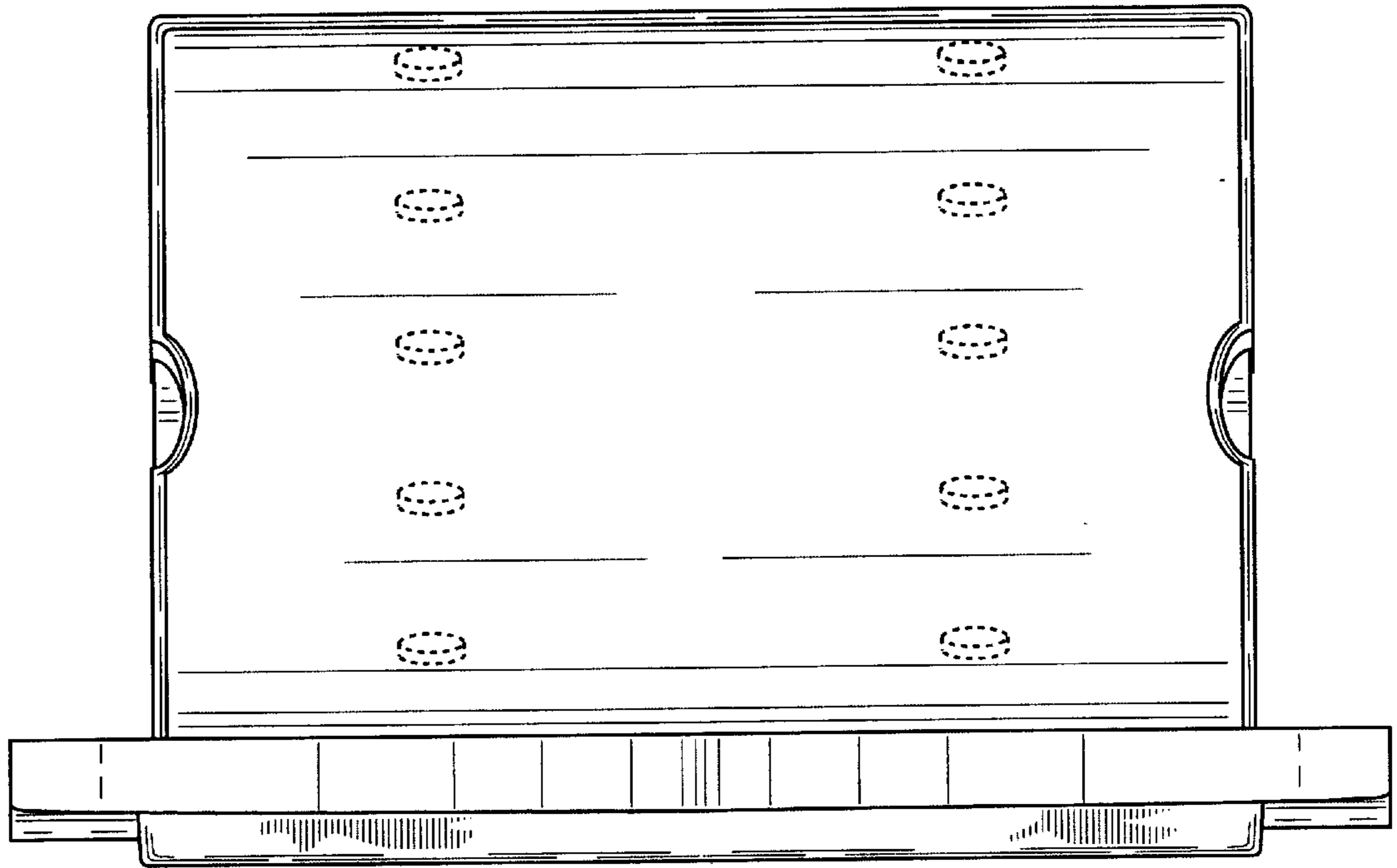


FIG. 11.

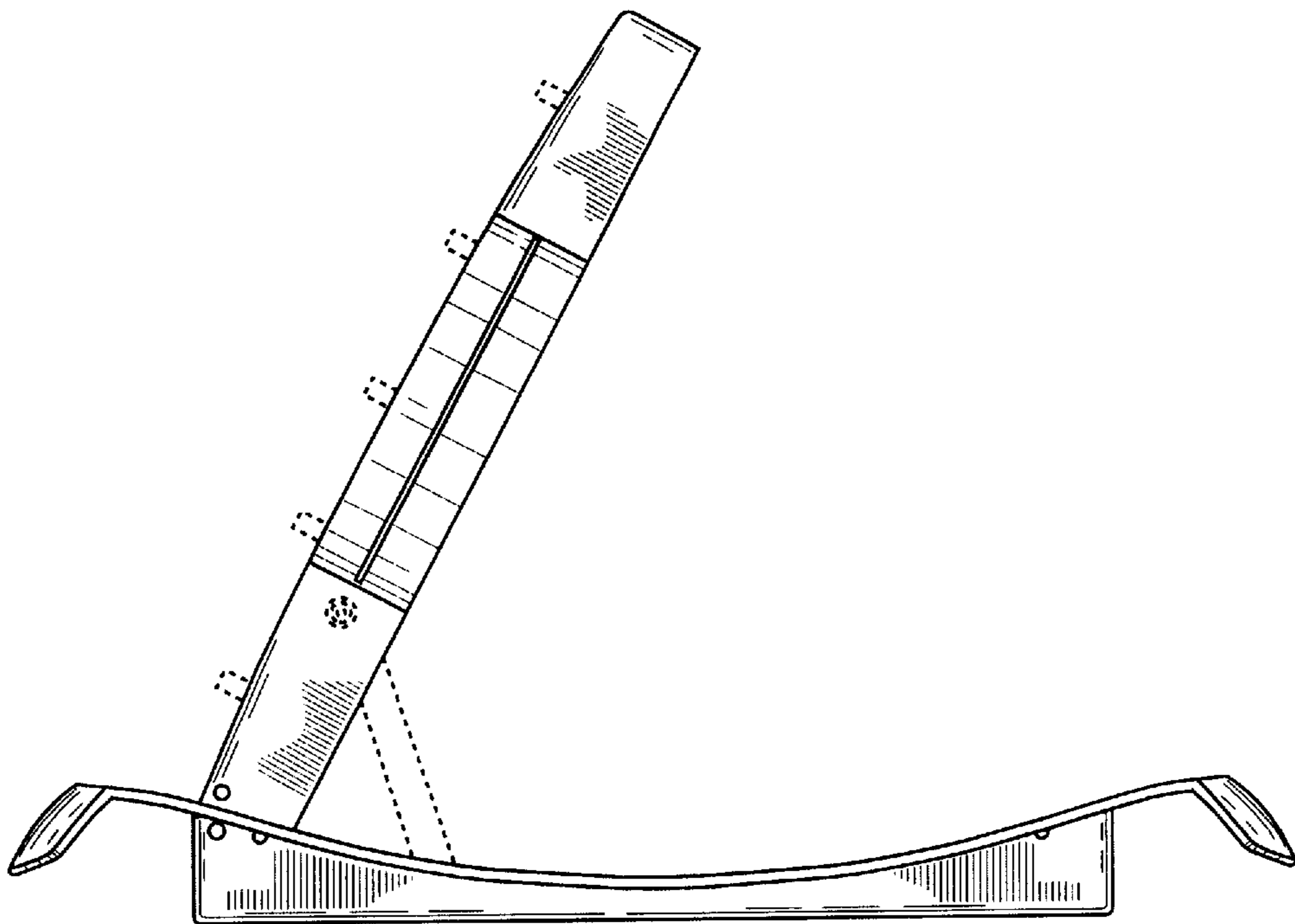


FIG. 12.