



US00D487365S

(12) **United States Design Patent**  
**Bourne**

(10) **Patent No.: US D487,365 S**

(45) **Date of Patent: \*\* \*Mar. 9, 2004**

(54) **WINE BARREL STORAGE RACK**

(75) **Inventor: Ross Gordon Bourne, Somerton Park (AU)**

(73) **Assignee: RGB Industries Pty Ltd, South Australia (AU)**

(\* ) **Notice: This patent is subject to a terminal disclaimer.**

(\*\* ) **Term: 14 Years**

(21) **Appl. No.: 29/164,792**

(22) **Filed: Jul. 30, 2002**

(30) **Foreign Application Priority Data**

Mar. 28, 2002 (AU) ..... 903/2002

(51) **LOC (7) Cl. .... 06-04**

(52) **U.S. Cl. .... D6/462; D6/467**

(58) **Field of Search .... D6/449, 450, 400, D6/466-469, 475, 491, 492, 509; D34/38, 39; 206/386, 599, 600, 278, 314, 315.9; 211/11, 85.4, 85.6, 14, 55, 72, 74, 59.2; 248/560, 441.1, 346.02, 448, 281**

(56) **References Cited**

**U.S. PATENT DOCUMENTS**

D263,529 S	*	3/1982	Magyar	.....	D6/407
D329,556 S	*	9/1992	Brussing	.....	D6/468
5,228,821 A	*	7/1993	Gleffe et al.	.....	414/403
5,507,237 A	*	4/1996	Barrow et al.	.....	108/55.1
D442,759 S	*	5/2001	Bowman et al.	.....	D34/38
D446,052 S	*	8/2001	Bourne	.....	D6/462
6,279,763 B1	*	8/2001	Bush	.....	211/195

\* cited by examiner

*Primary Examiner*—Cathron C. Brooks

(74) *Attorney, Agent, or Firm*—Gordon & Rees LLP

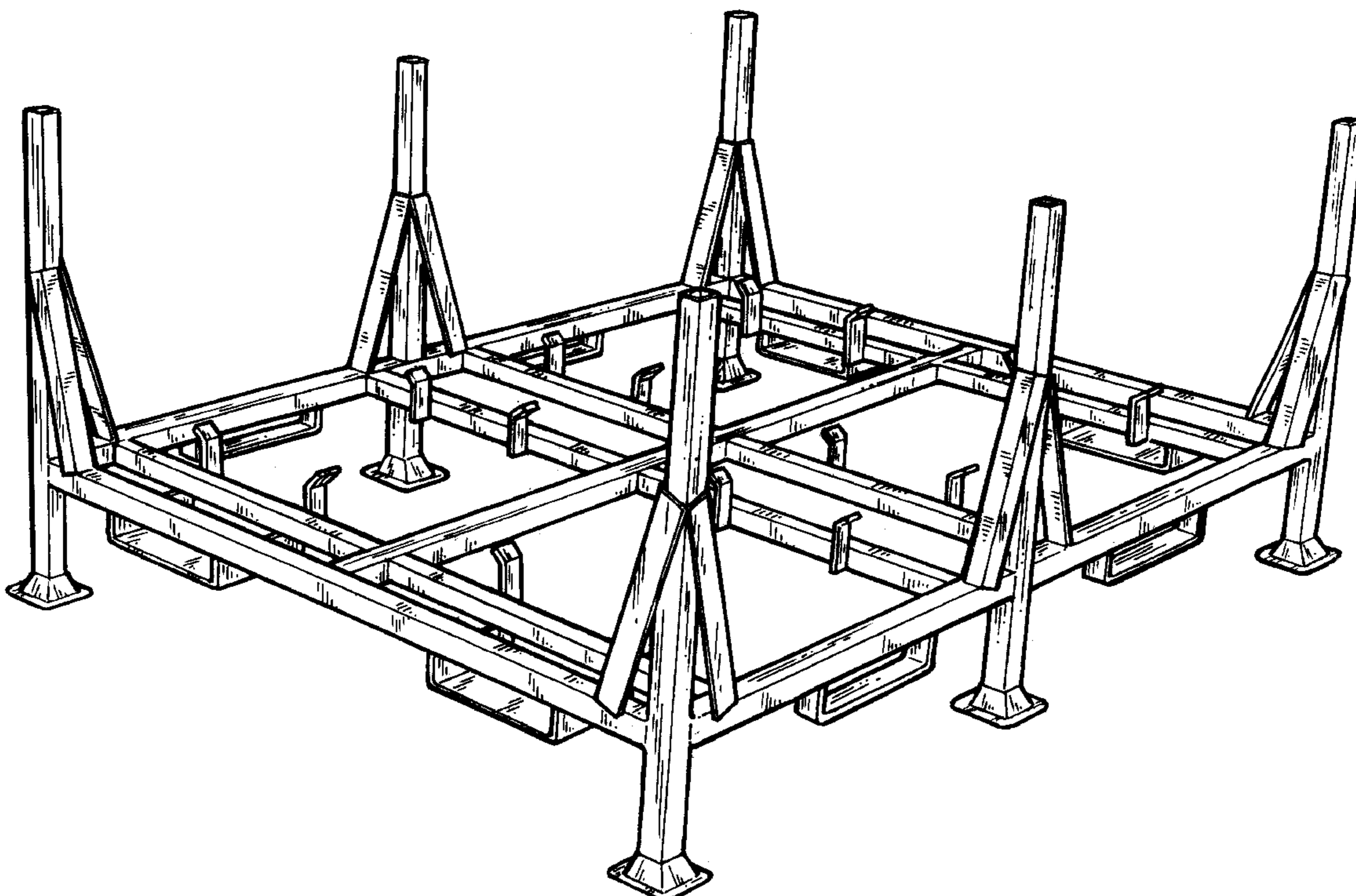
(57) **CLAIM**

The ornamental design for a wine barrel storage rack, substantially as shown and described.

**DESCRIPTION**

FIG. 1 is a perspective view of a wine barrel storage rack showing my new design;  
FIG. 2 is a top plan view thereof;  
FIG. 3 is a side elevational view thereof; and,  
FIG. 4 is a front elevational view of a wine barrel storage rack.

**1 Claim, 3 Drawing Sheets**



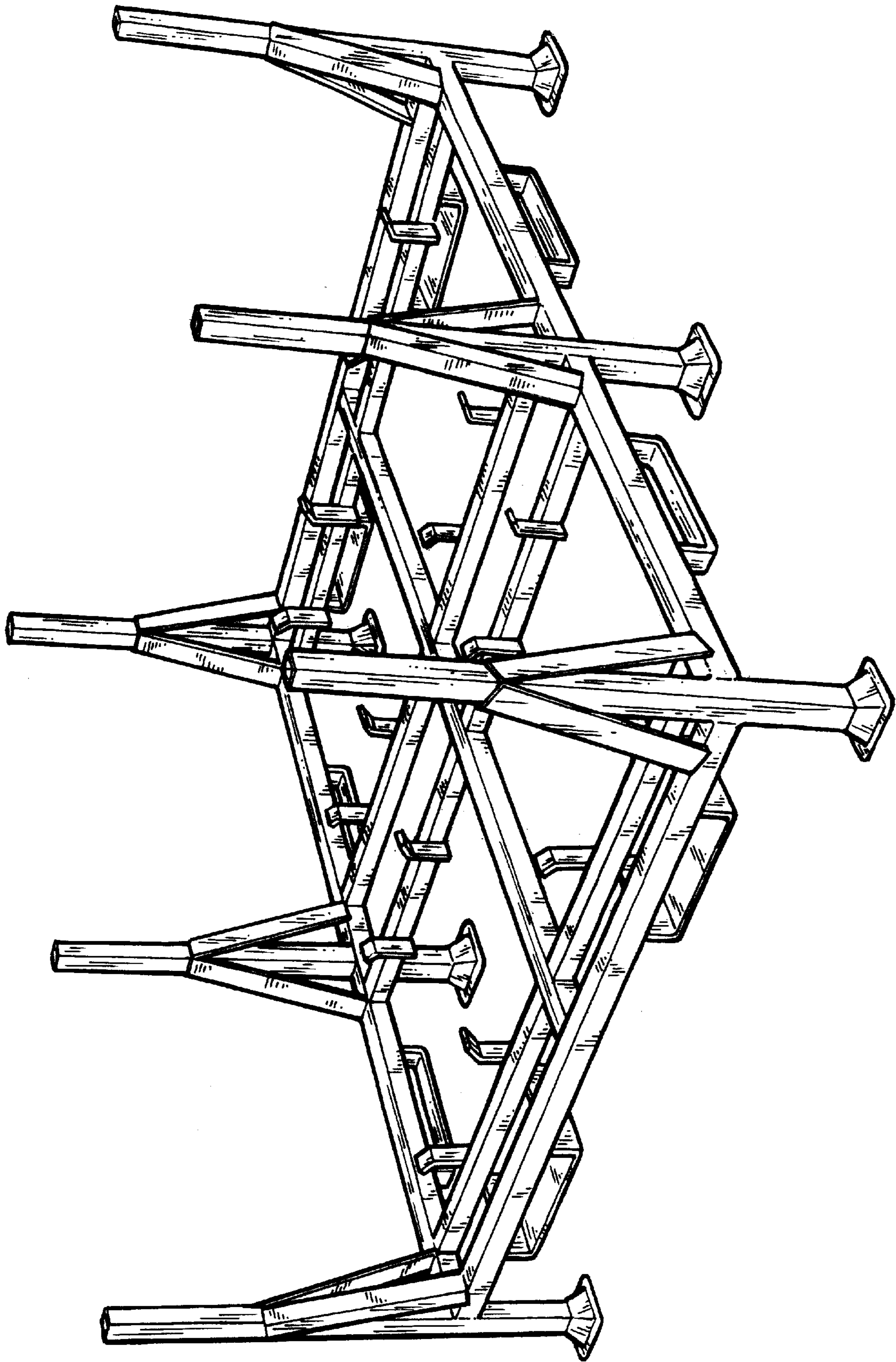
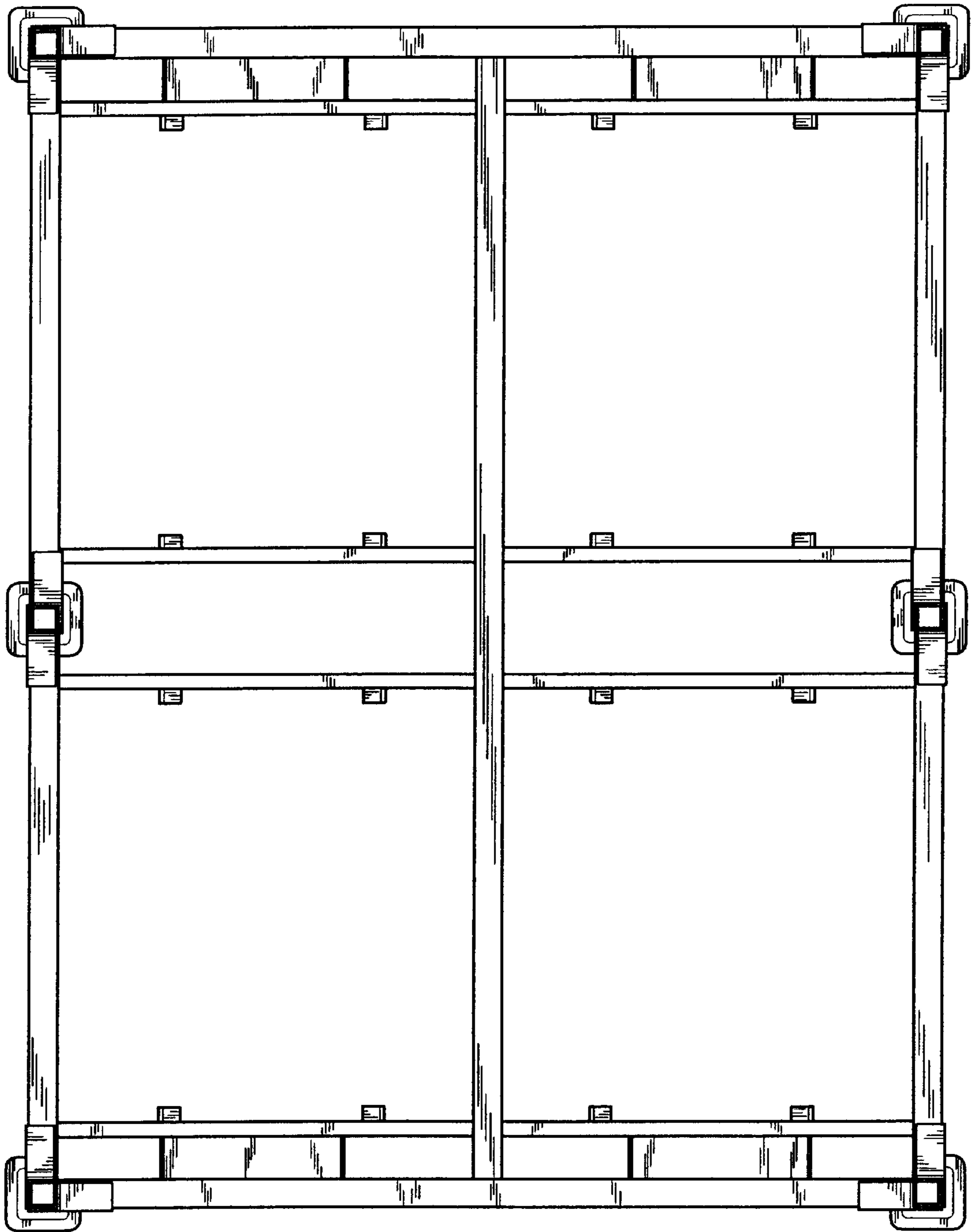
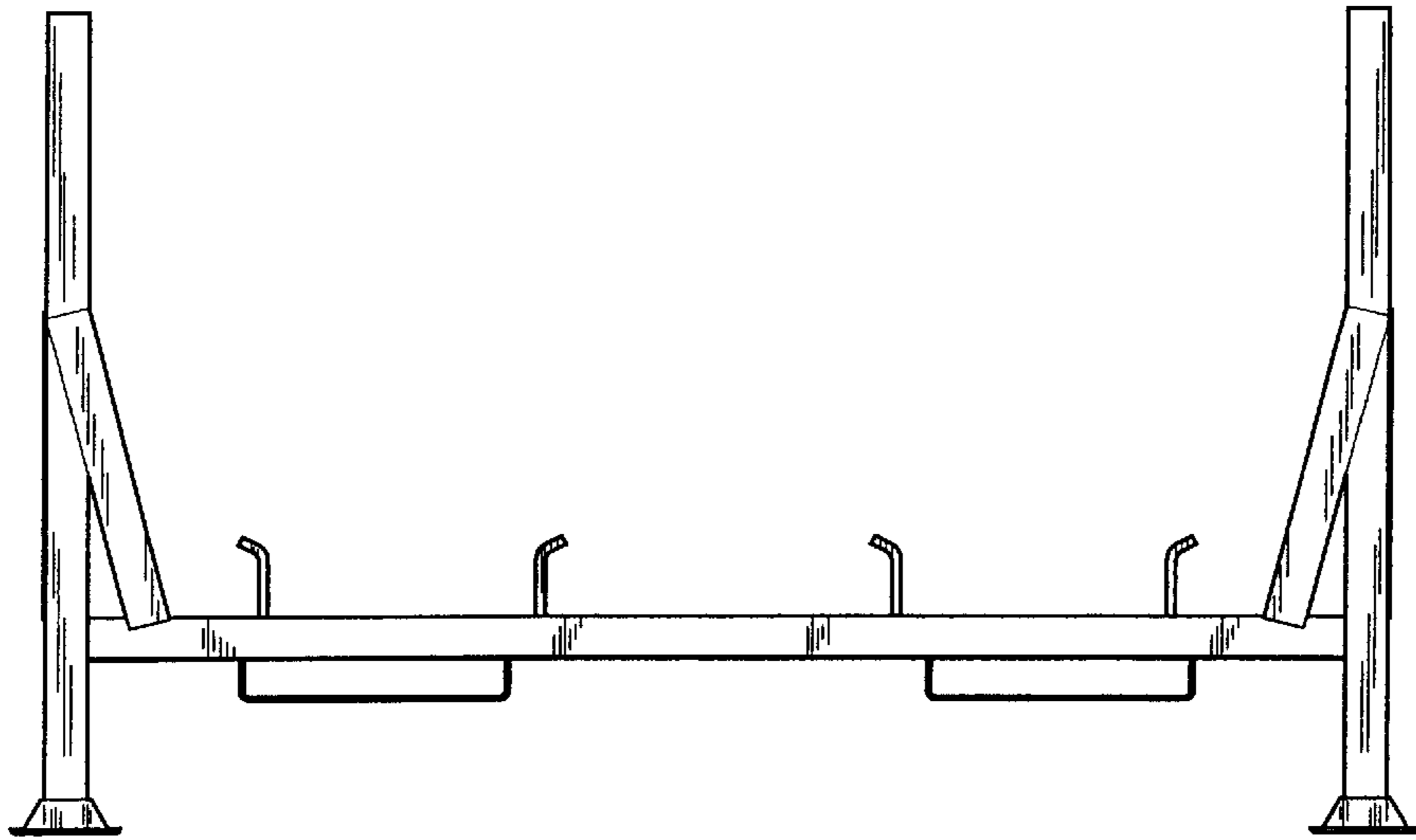


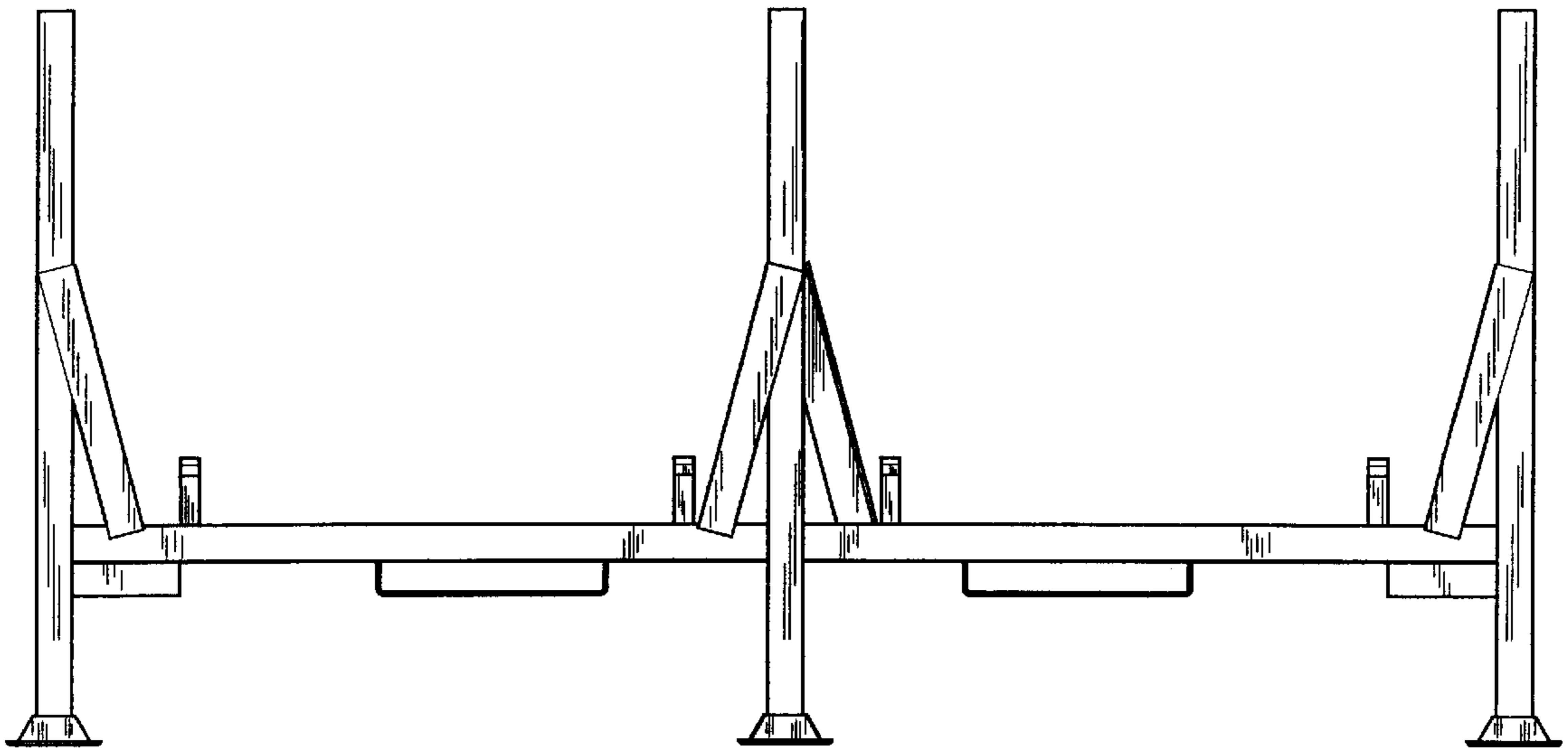
Fig 1



**Fig 2**



**Fig 3**



**Fig 4**