



US00D487364S

(12) **United States Design Patent**
Chang

(10) **Patent No.:** **US D487,364 S**

(45) **Date of Patent:** **** Mar. 9, 2004**

(54) **COMPUTER TABLE**

D474,043 S * 5/2003 Chang D6/426

(76) Inventor: **Wu-De Chang**, P.O. Box 36-80,
Dong-Shing Rd., Taichung City (TW)

* cited by examiner

(**) Term: **14 Years**

Primary Examiner—Janice E. Seeger
(74) *Attorney, Agent, or Firm*—Charles E. Baxley

(21) Appl. No.: **29/180,548**

(57) **CLAIM**

(22) Filed: **Apr. 24, 2003**

The ornamental design for computer table, as shown and described.

(51) **LOC (7) Cl.** **06-04**

DESCRIPTION

(52) **U.S. Cl.** **D6/426**

(58) **Field of Search** D6/421, 422, 425–428,
D6/474, 477, 479; 108/50.01, 50.02, 91,
92, 59; 312/194–196, 208.1

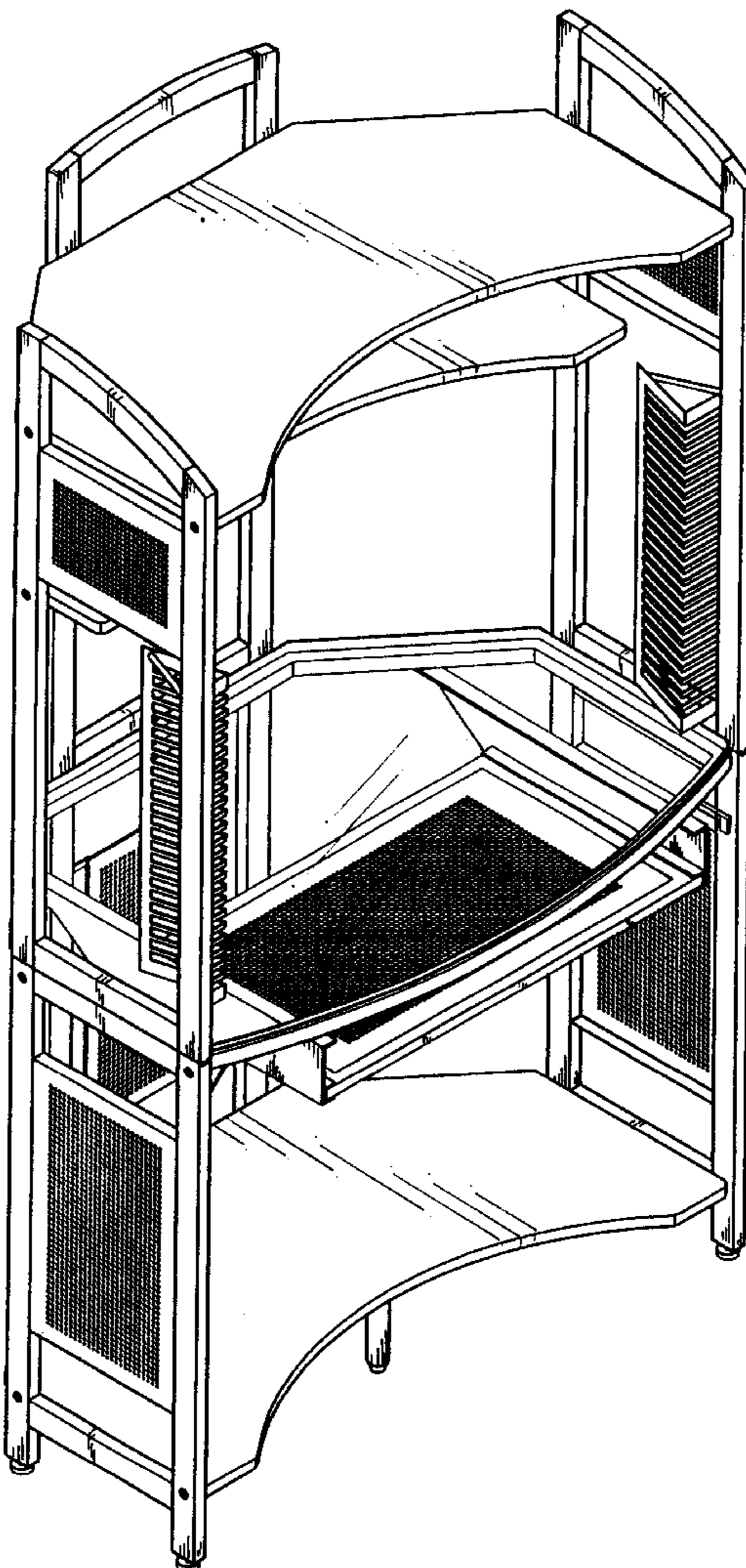
FIG. 1 is a perspective view of a computer table showing our new design thereof;
FIG. 2 is a front elevational view thereof;
FIG. 3 is a rear elevational view thereof;
FIG. 4 is a left side elevational view thereof;
FIG. 5 is a right side elevational view thereof;
FIG. 6 is a top plan view thereof; and,
FIG. 7 is a bottom plan view thereof.

(56) **References Cited**

U.S. PATENT DOCUMENTS

- D456,633 S * 5/2002 Chang D6/426
- D463,922 S * 10/2002 Chang D6/426
- D464,213 S * 10/2002 Chang D6/426

1 Claim, 6 Drawing Sheets



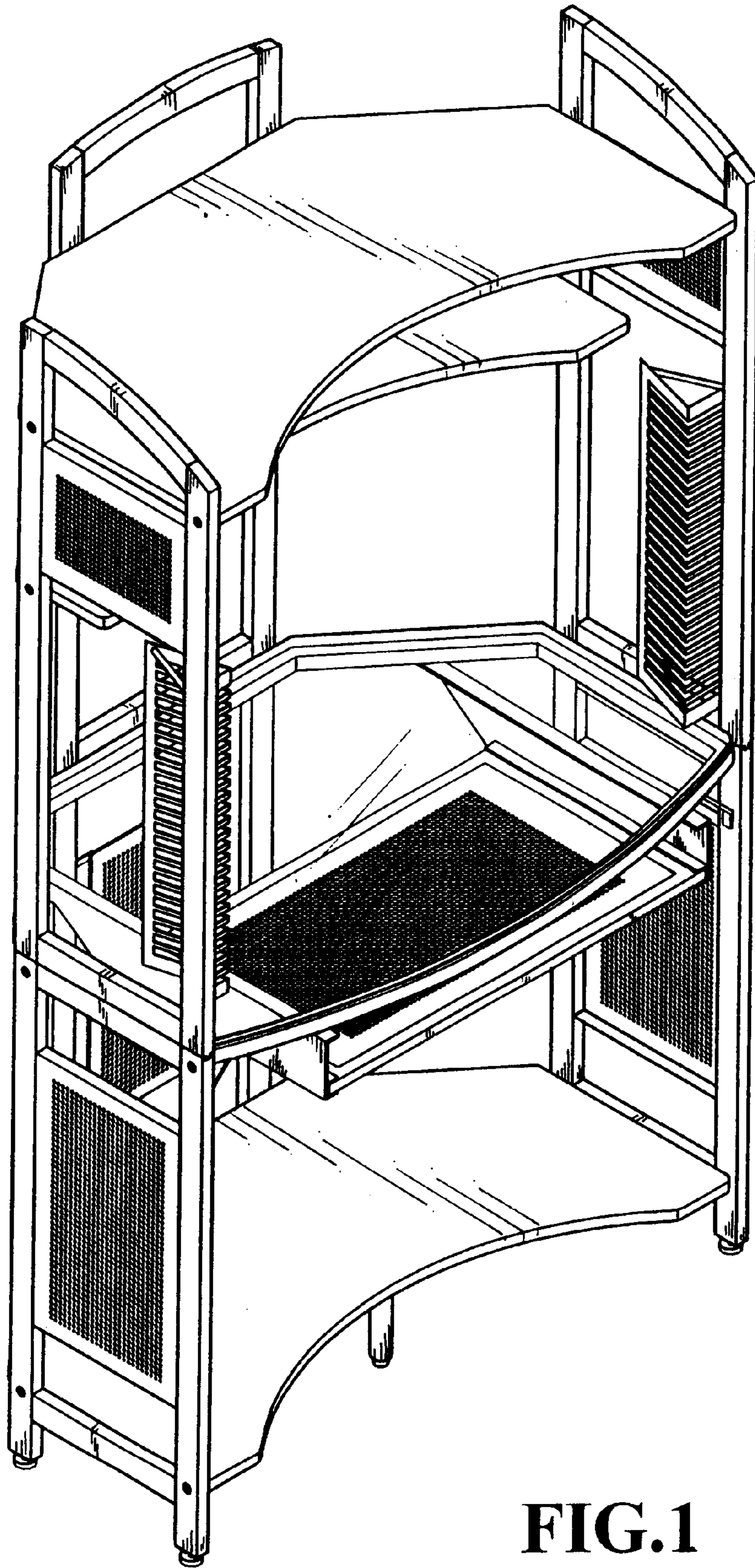


FIG. 1

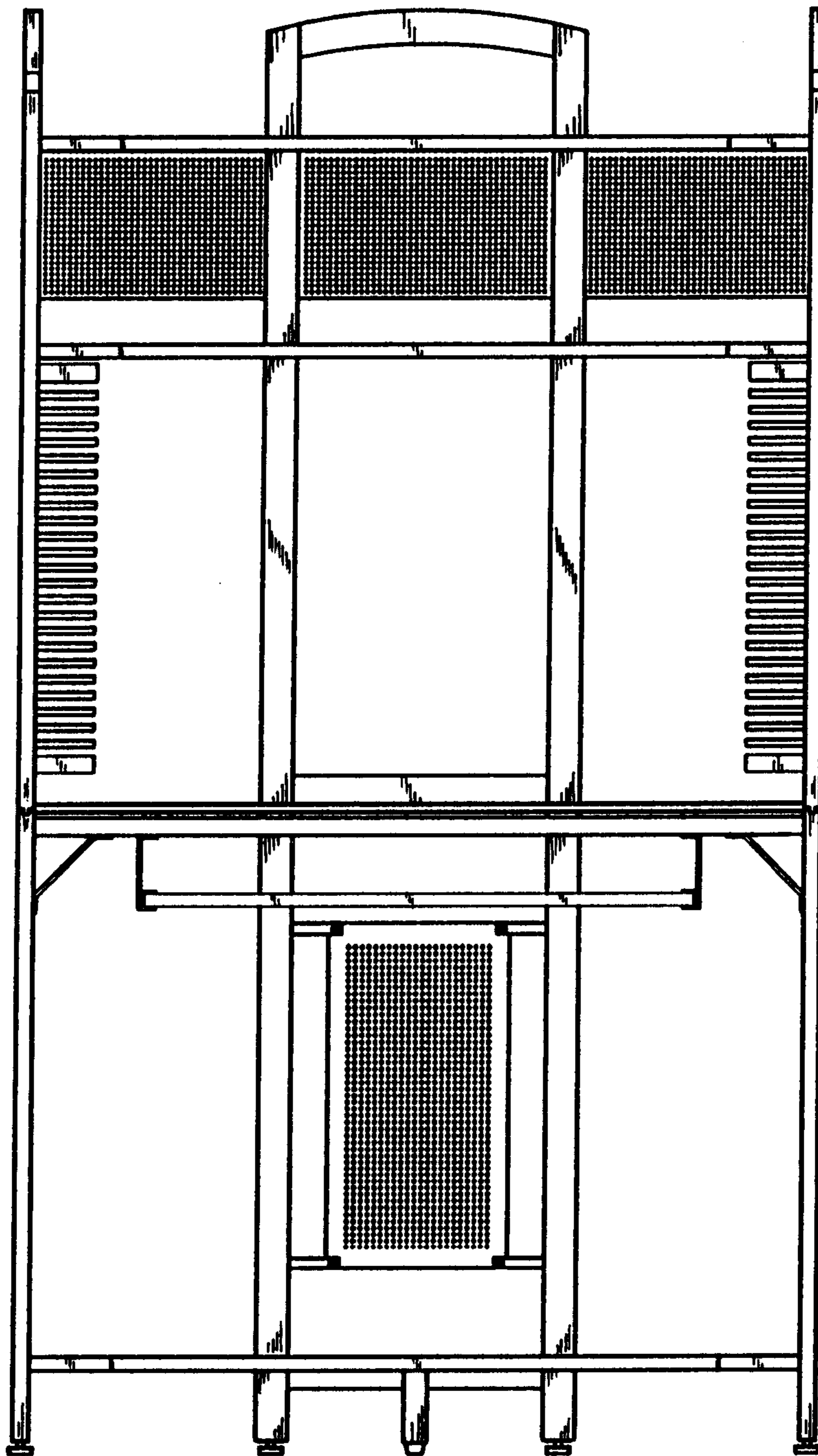


FIG. 2

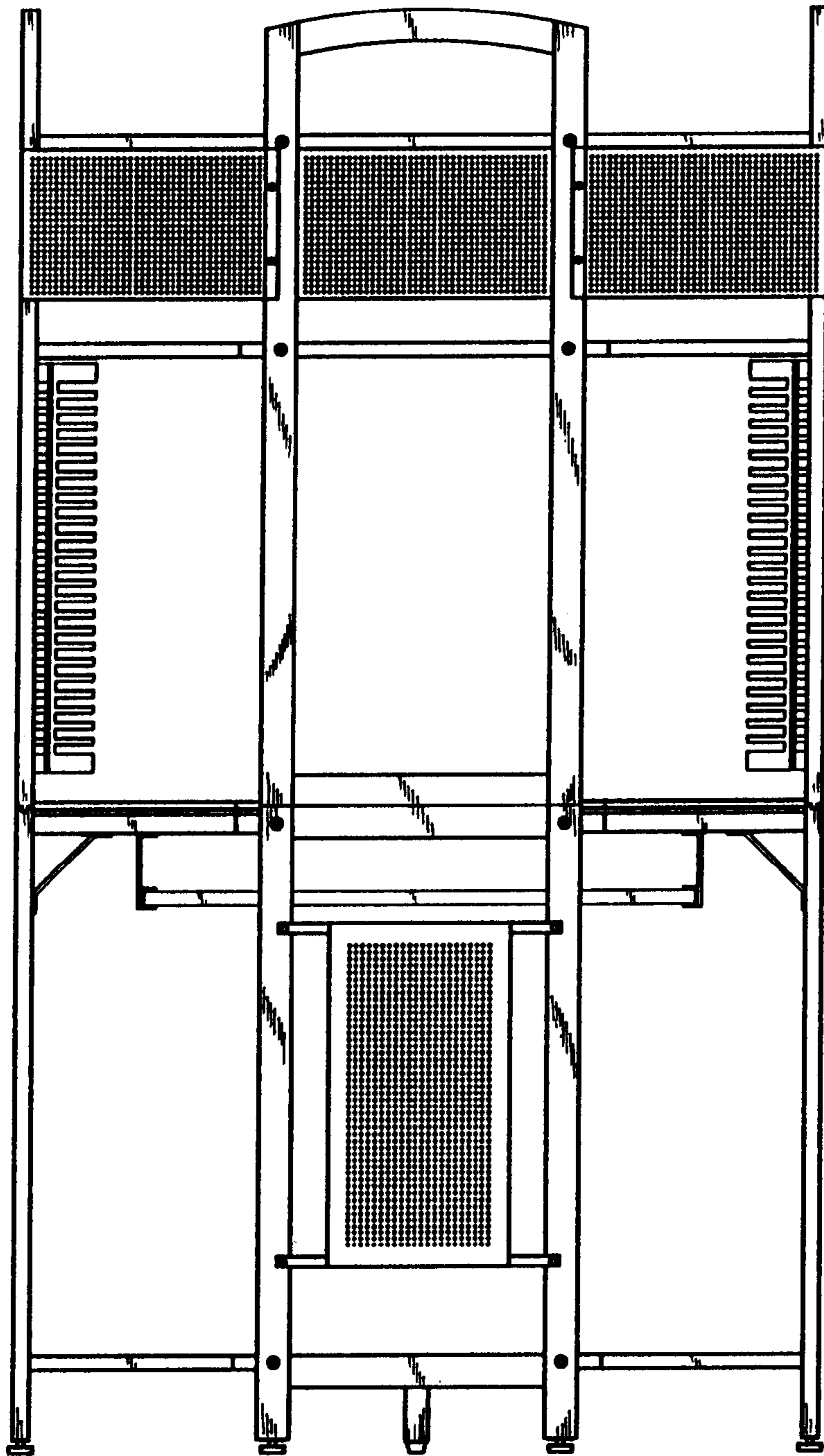


FIG.3

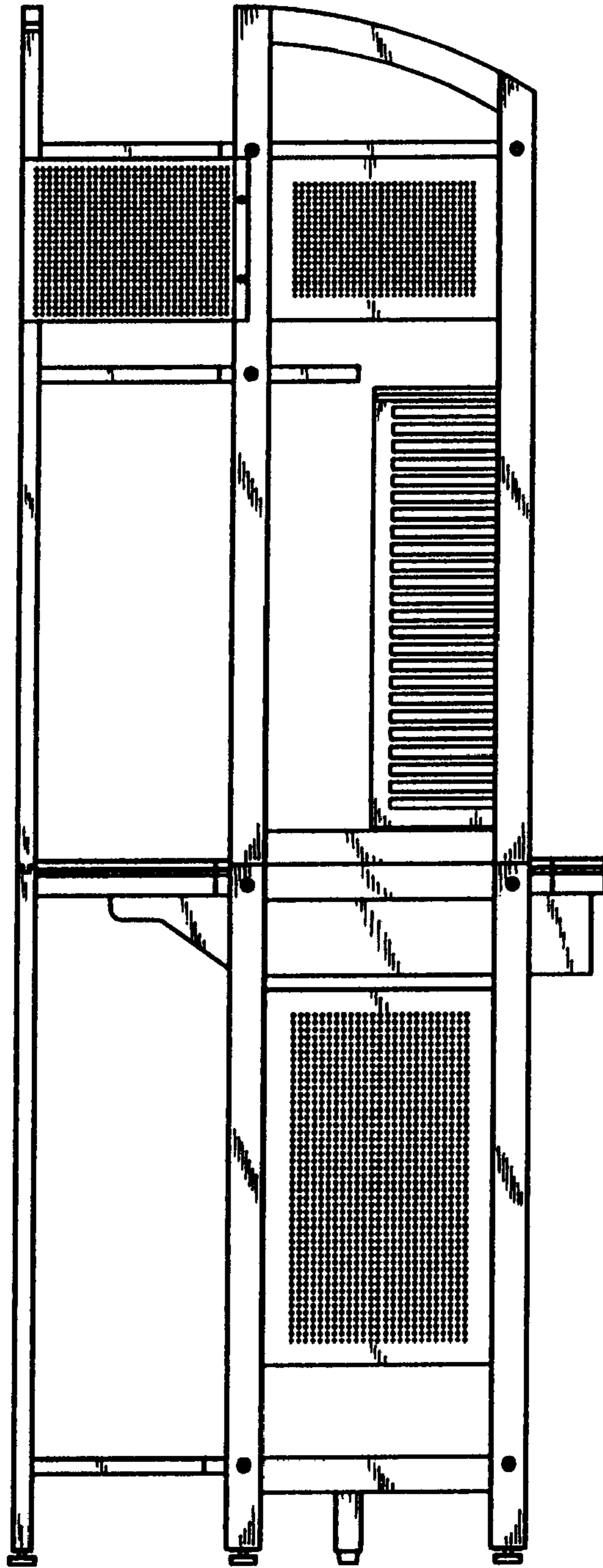


FIG. 4

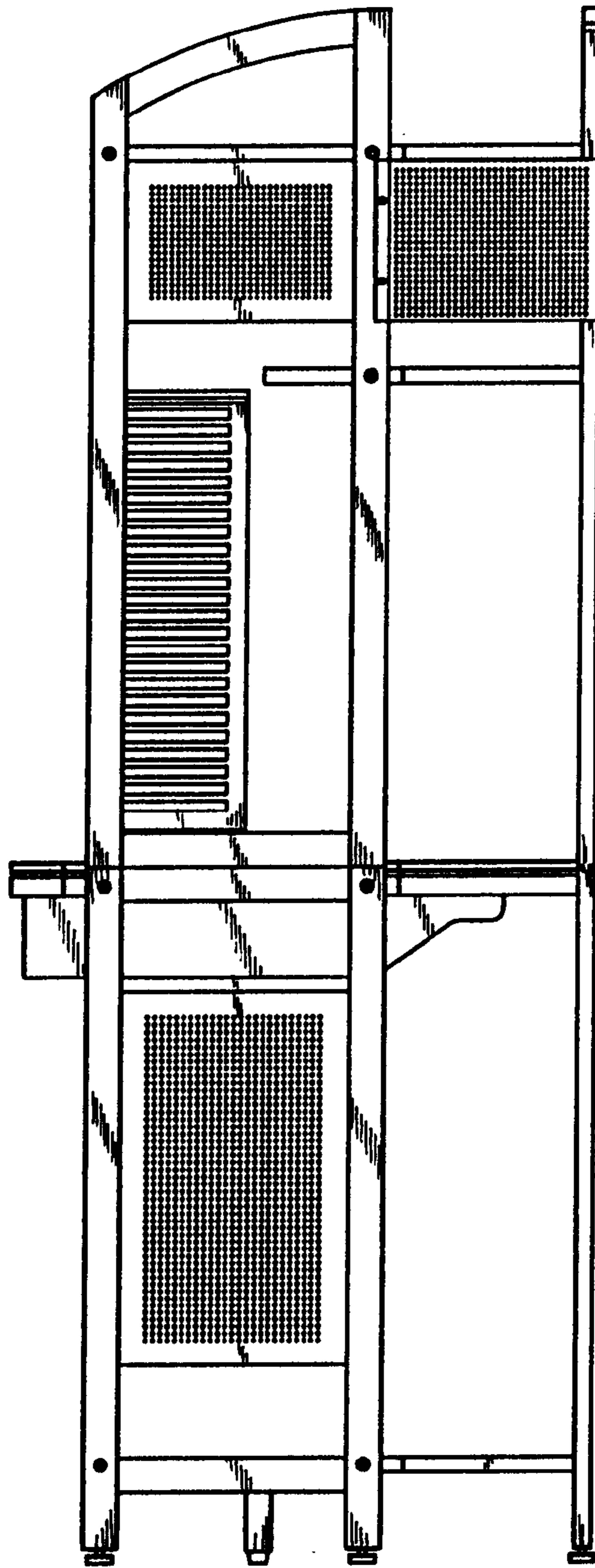


FIG.5

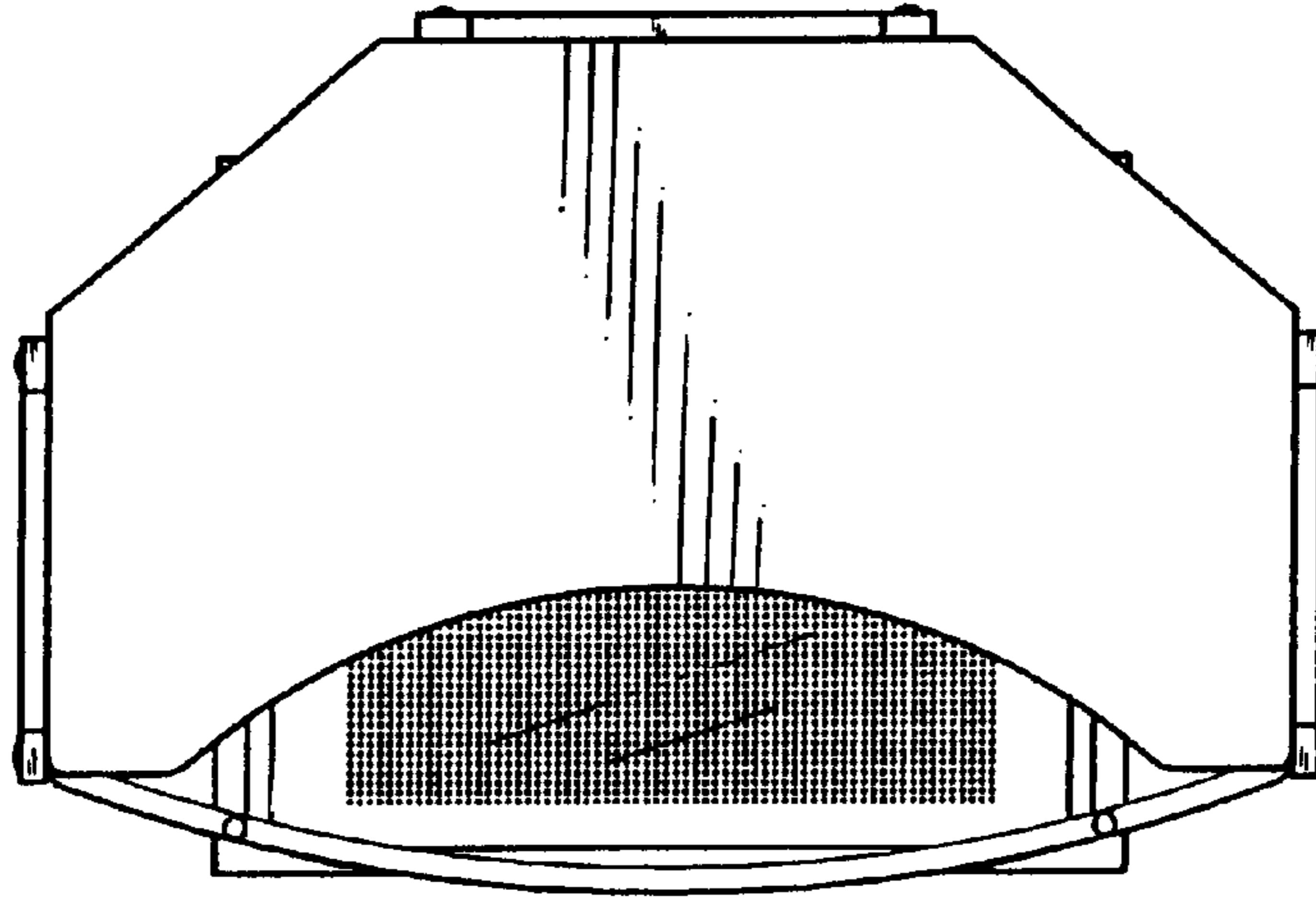


FIG. 6

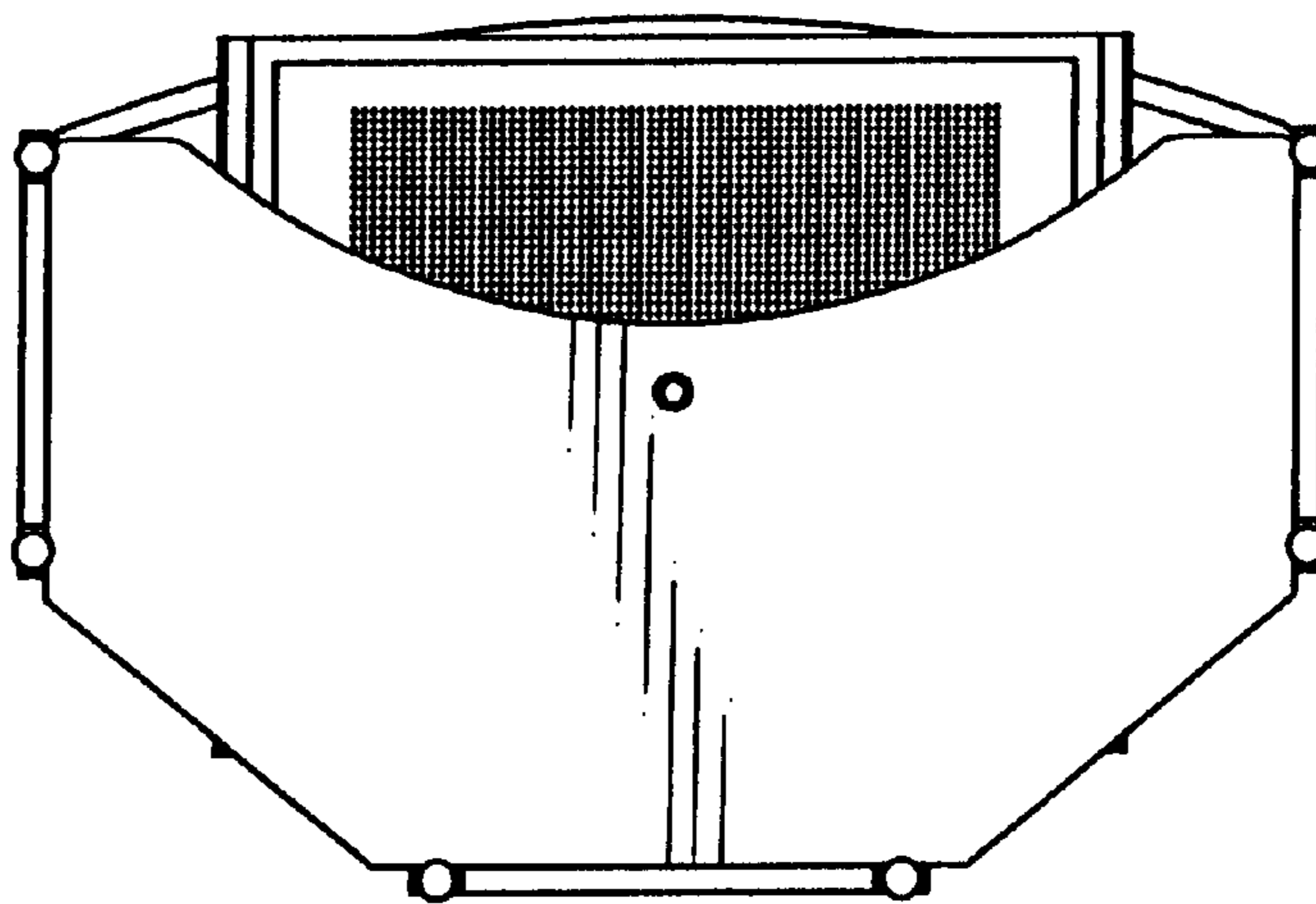


FIG. 7