



US00D487361S

(12) **United States Design Patent**  
**Gorgoni de Mogar**

(10) **Patent No.:** **US D487,361 S**

(45) **Date of Patent:** **\*\* Mar. 9, 2004**

(54) **COMPOSITE FURNITURE FOR BEDROOM**

(75) **Inventor:** **Giovanni Luigi Gorgoni de Mogar,**  
**Milan (IT)**

(73) **Assignee:** **Silenia SpA Industria Mobili,**  
**Pordenone (IT)**

(\*\*) **Term:** **14 Years**

(21) **Appl. No.:** **29/173,852**

(22) **Filed:** **Jan. 8, 2003**

(30) **Foreign Application Priority Data**

Jul. 10, 2002 (WO) ..... DM/061 066

(51) **LOC (7) Cl.** ..... **06-05**

(52) **U.S. Cl.** ..... **D6/384**

(58) **Field of Search** ..... D6/382-384, 388,  
D6/389, 392-395, 505-508, 397; 5/2.1,  
53.1, 279.1, 280, 281, 907

(56) **References Cited**

**U.S. PATENT DOCUMENTS**

D194,495 S \* 2/1963 Kamp et al. .... D6/384

D233,085 S \* 10/1974 Mueller et al. .... D6/383  
D246,019 S \* 10/1977 Hero et al. .... D6/384  
D247,145 S \* 2/1978 Hero et al. .... D6/384  
D297,792 S \* 9/1988 Balutto ..... D6/384

\* cited by examiner

*Primary Examiner*—Janice E. Seeger

(74) *Attorney, Agent, or Firm*—Wenderoth, Lind & Ponack,  
L.L.P.

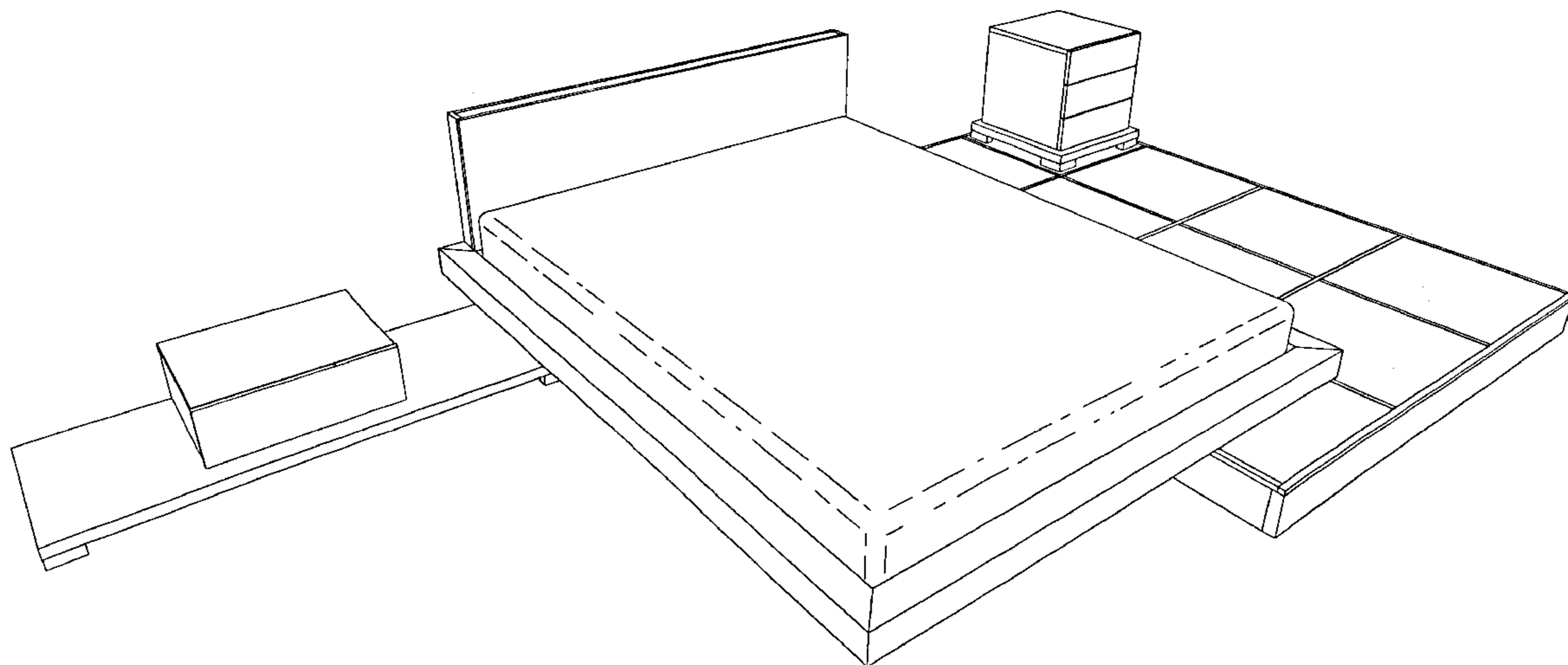
(57) **CLAIM**

The ornamental design for composite furniture for bedroom,  
as shown.

**DESCRIPTION**

FIG. 1 is a left side perspective view of composite furniture  
for bedroom in accordance with the present design;  
FIG. 2 is a right side perspective view thereof;  
FIG. 3 is a plan view thereof;  
FIG. 4 is a front view thereof;  
FIG. 5 is a right side view thereof; and,  
FIG. 6 is a left side view thereof.

**1 Claim, 3 Drawing Sheets**



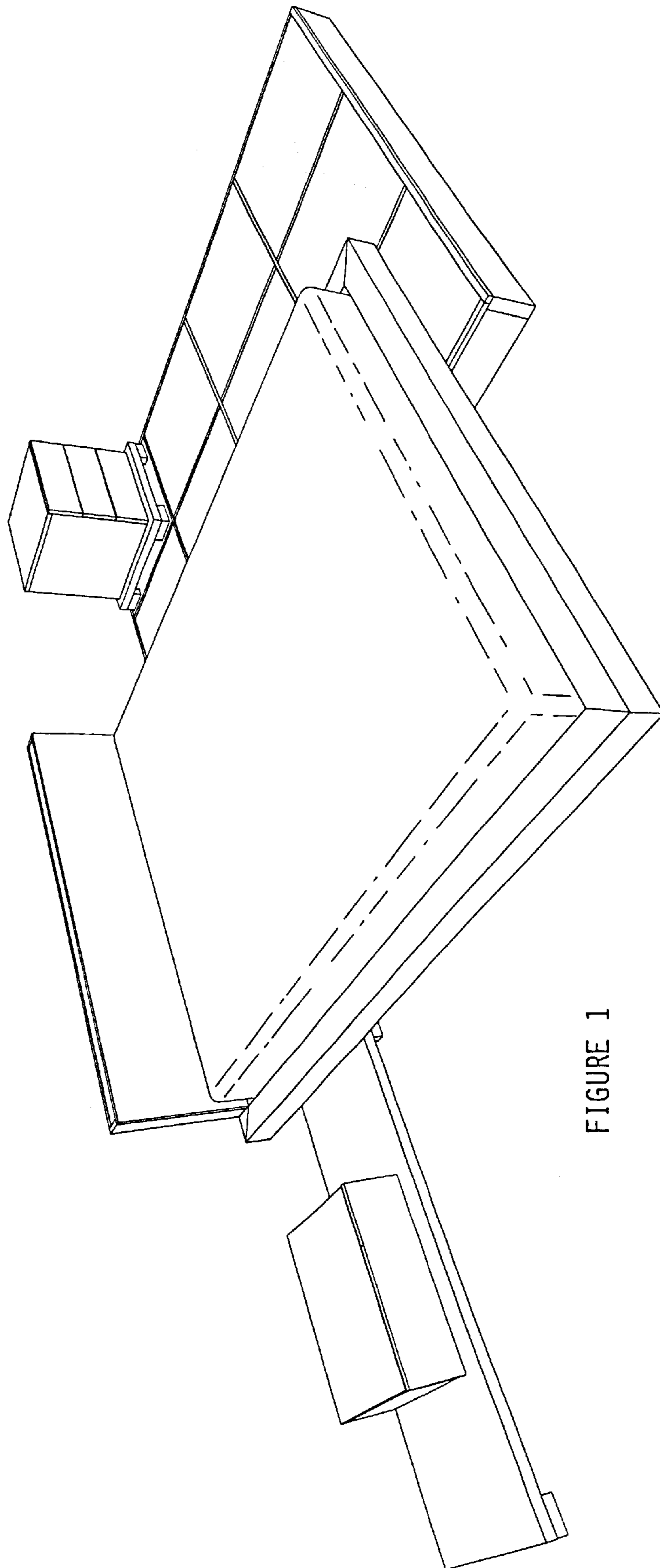


FIGURE 1

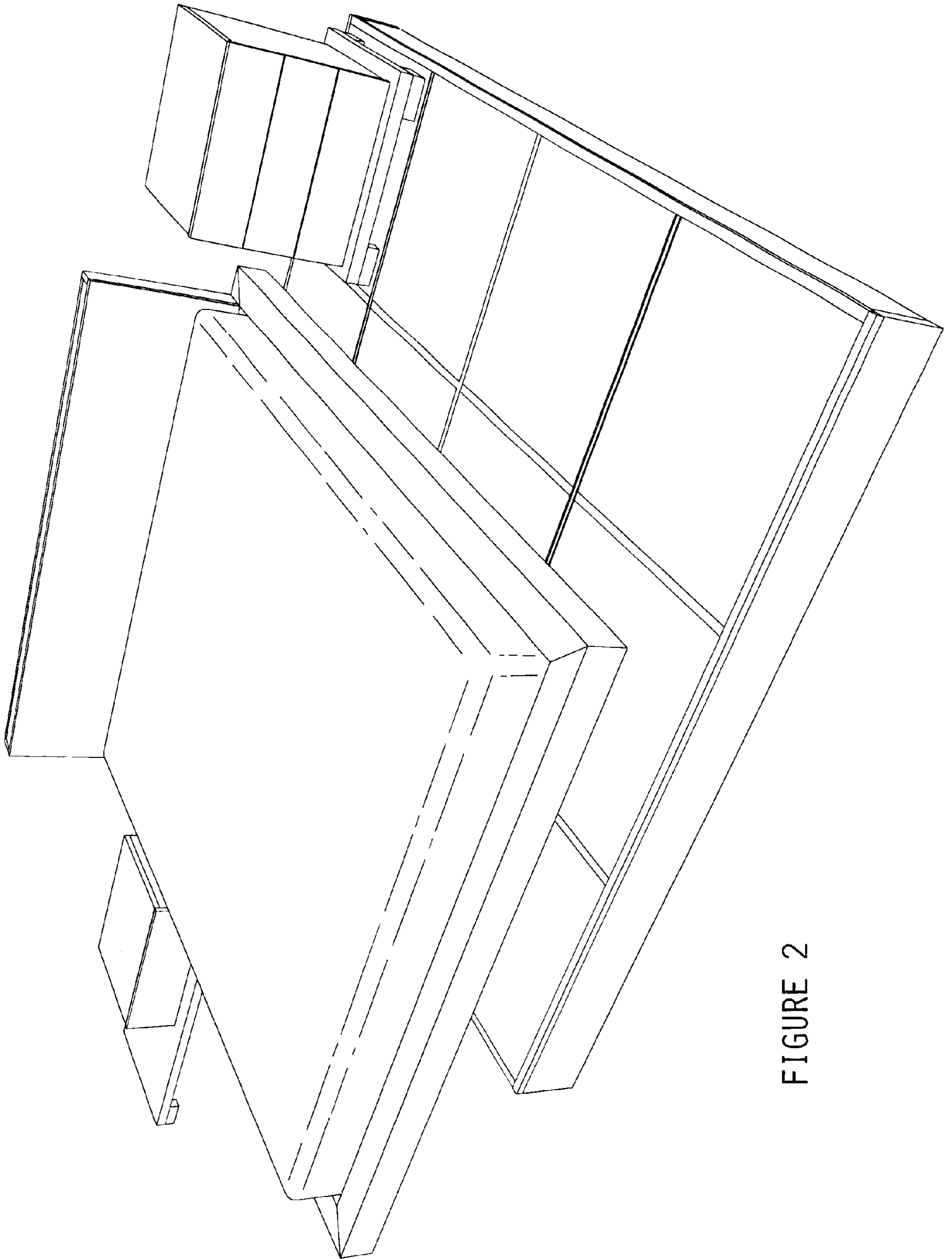


FIGURE 2

