



US00D487360S

(12) **United States Design Patent**
Lacina

(10) **Patent No.:** **US D487,360 S**

(45) **Date of Patent:** **** Mar. 9, 2004**

(54) **MESSAGE CHAIR**

(76) Inventor: **Kathy Pihlaja Lacina**, P.O. Box
361064, Melbourne, FL (US) 32936

(**) Term: **14 Years**

(21) Appl. No.: **29/182,067**

(22) Filed: **May 20, 2003**

(51) **LOC (7) Cl.** **06-01**

(52) **U.S. Cl.** **D6/367**

(58) **Field of Search** D6/334, 335, 336,
D6/360, 361, 367, 500-502; D24/183; 297/188.01,
188.09, 423.1, 423.12; 5/632, 6.13

(56) **References Cited**

U.S. PATENT DOCUMENTS

D170,305 S	*	9/1953	Claus	D24/183
D201,687 S	*	7/1965	Barnett	D6/336
3,334,951 A	*	8/1967	Douglass, Jr. et al.	5/613
4,746,167 A	*	5/1988	Palmer et al.	297/423.12
4,973,034 A	*	11/1990	Michele	D24/183
D357,131 S	*	4/1995	Lo	D6/361

D403,772 S	*	1/1999	Fanuzzi	D24/183
D436,176 S	*	1/2001	Fanuzzi	D24/183
D446,951 S	*	8/2001	Sheedy	D6/335

* cited by examiner

Primary Examiner—Doris V. Coles

Assistant Examiner—Mimosa De

(74) *Attorney, Agent, or Firm*—William M. Hobby, III

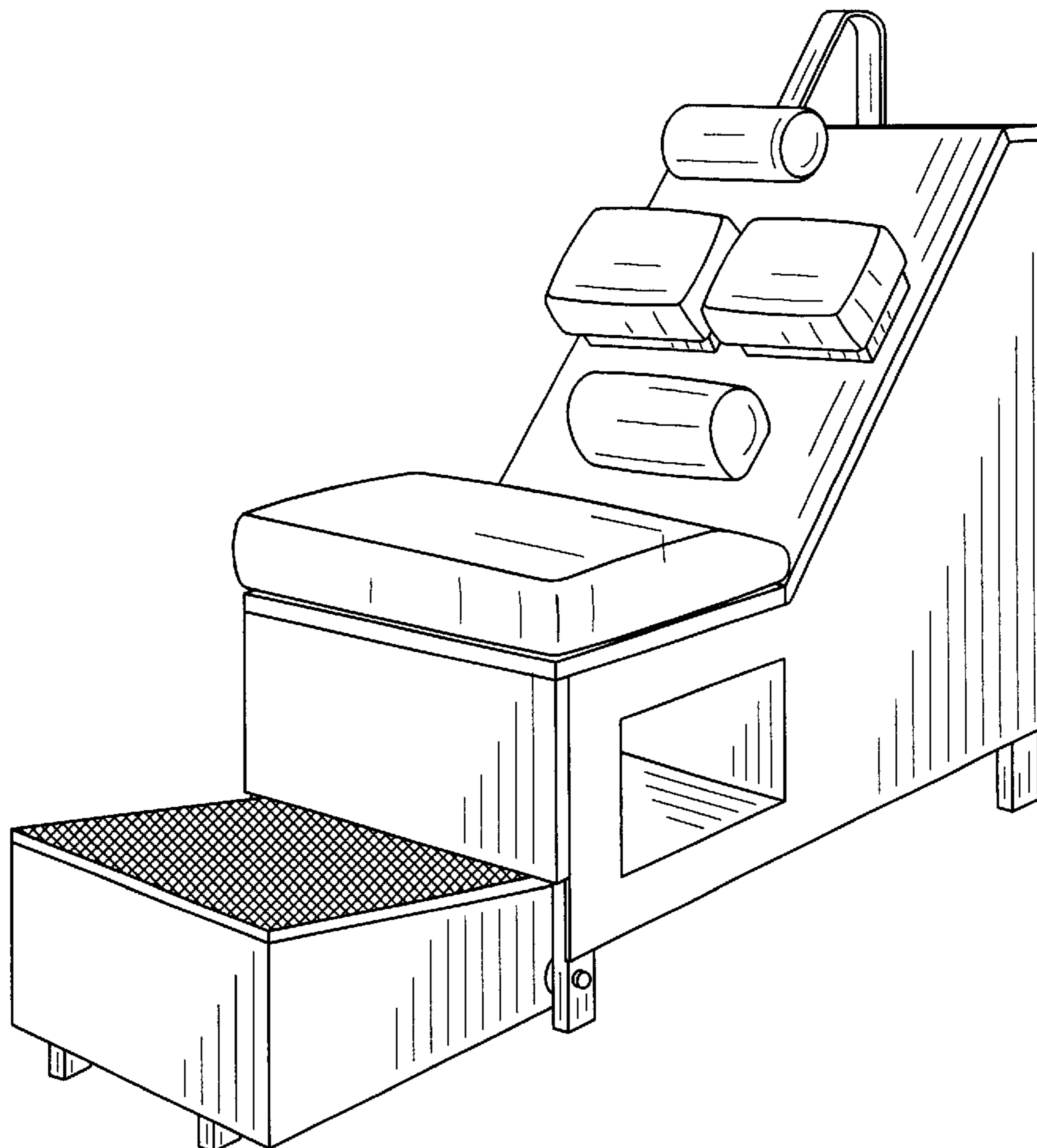
(57) **CLAIM**

The ornamental design for a massage chair, as shown and described.

DESCRIPTION

FIG. 1 is a front and right side perspective view of a massage chair showing my new design; FIG. 2 is a front elevation; FIG. 3 is a rear elevation; FIG. 4 is a right side elevation; FIG. 5 is a left side elevation; FIG. 6 is a top plan view; and, FIG. 7 is a bottom plan view.

1 Claim, 3 Drawing Sheets



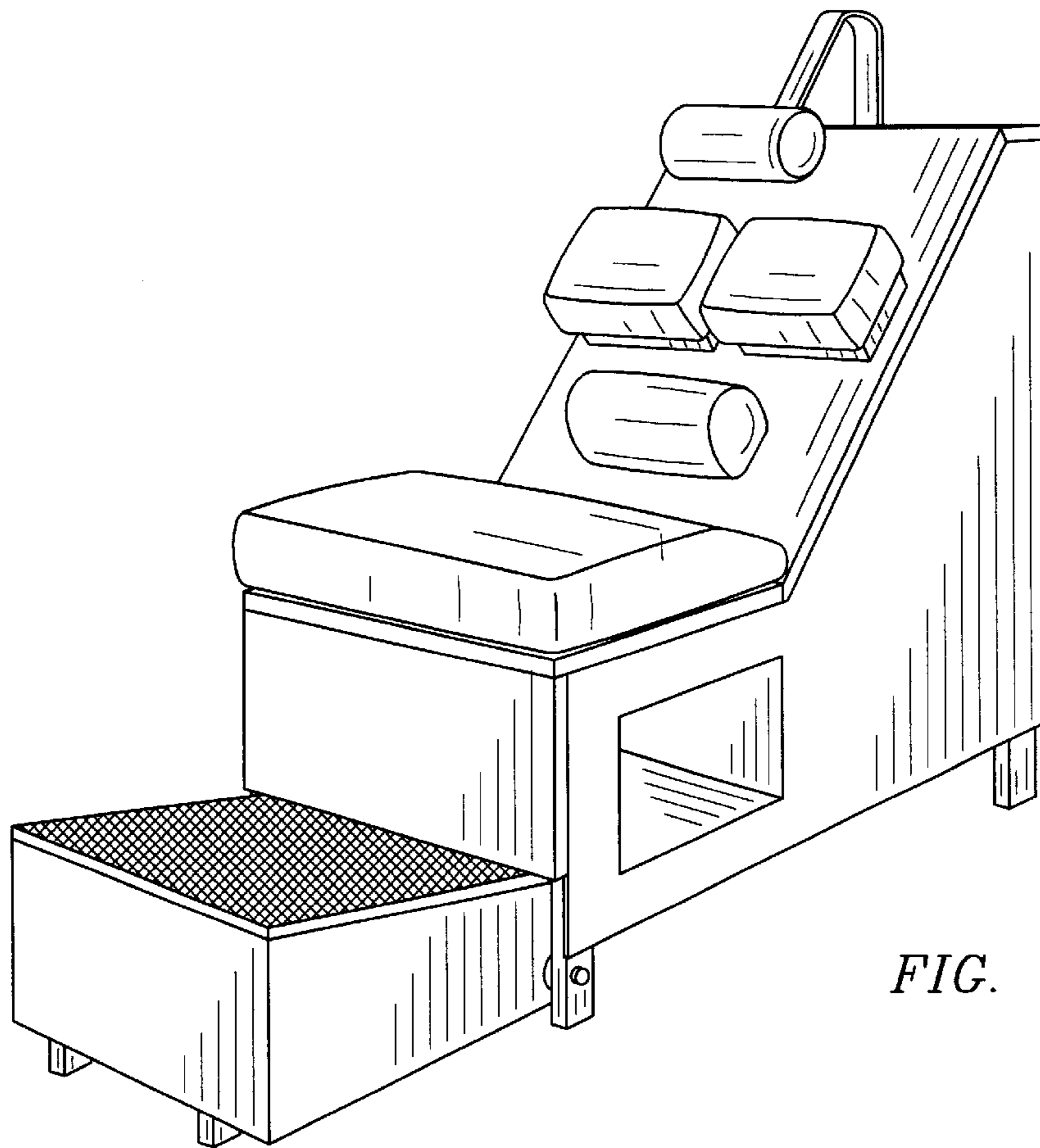


FIG. 1

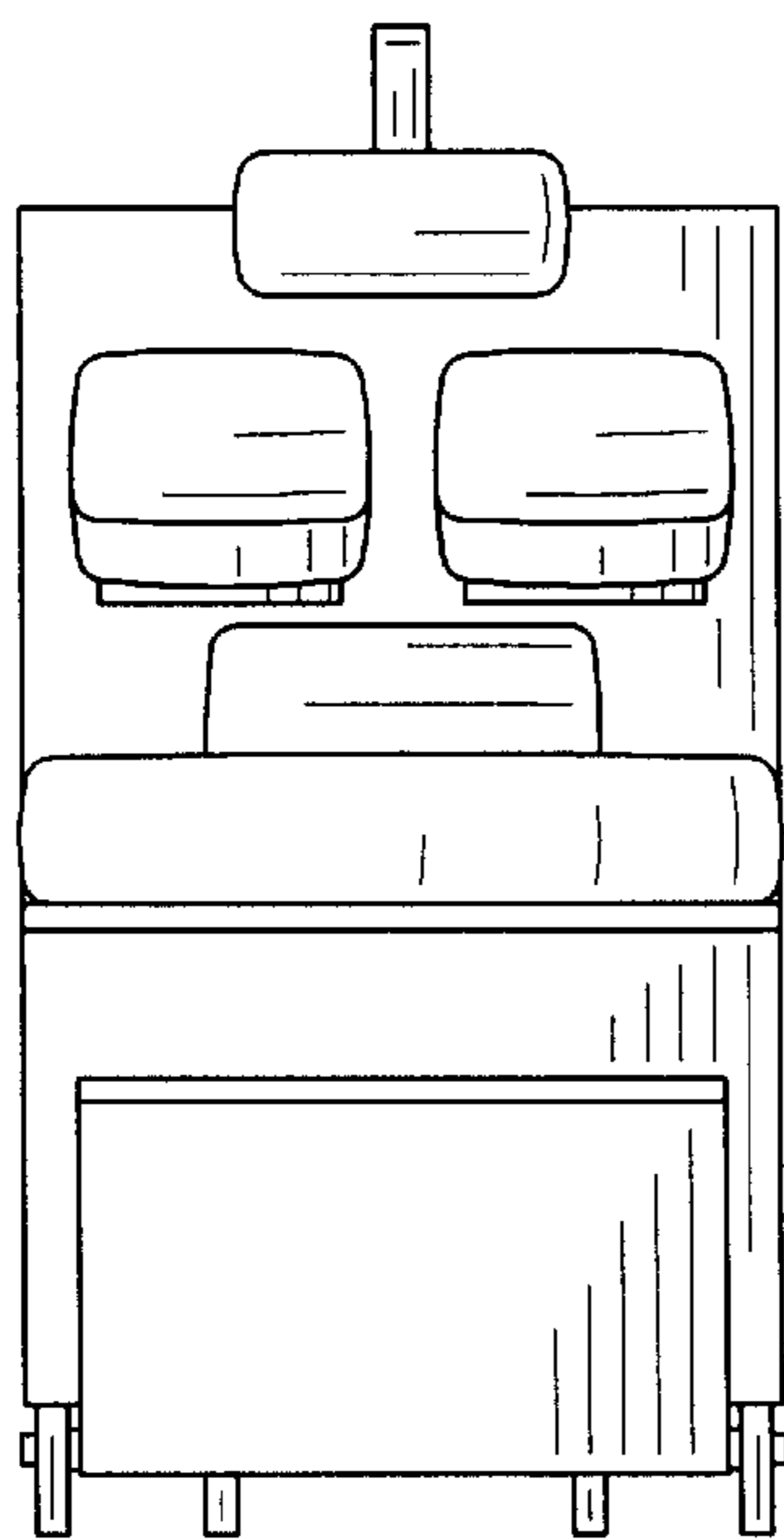


FIG. 2

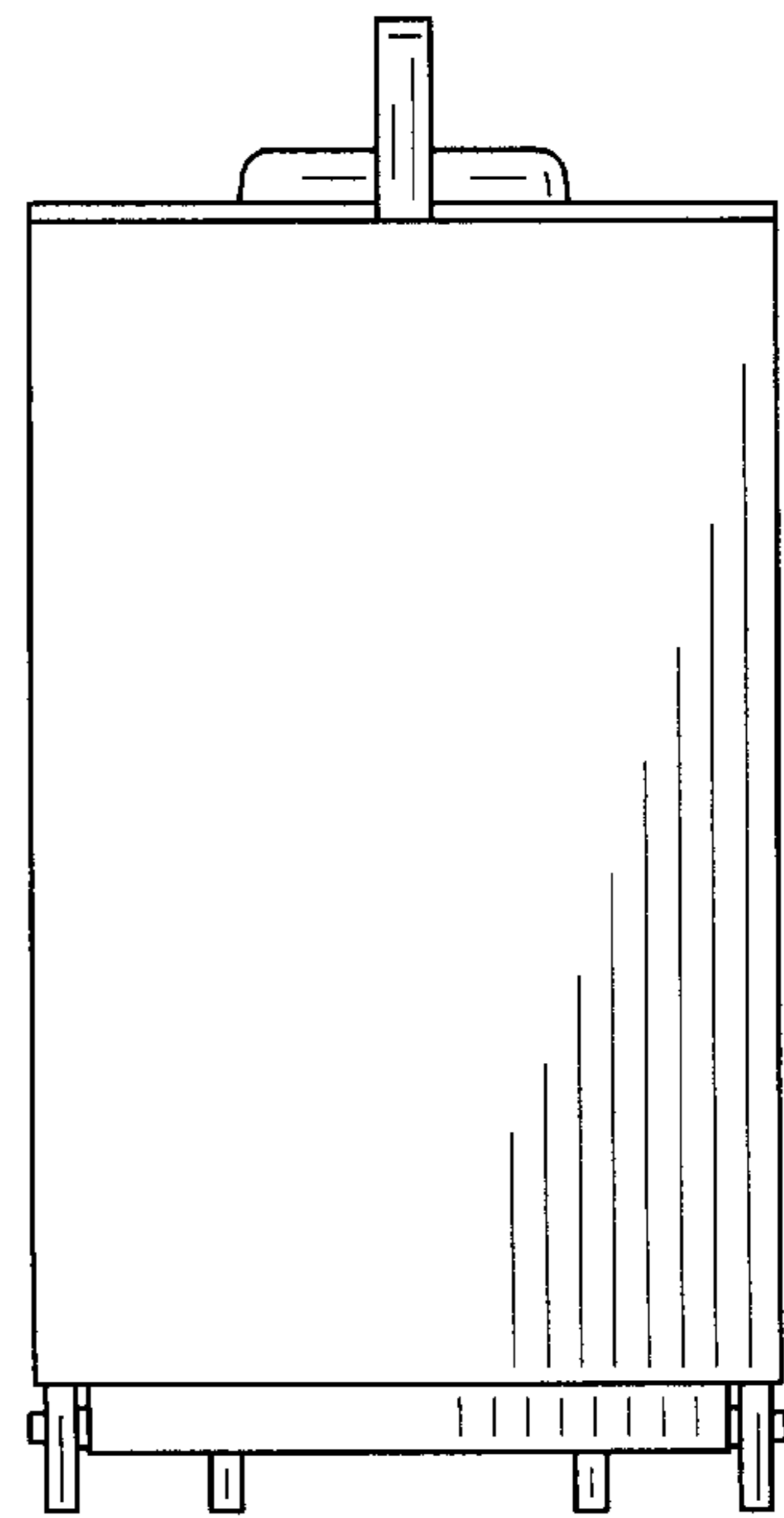


FIG. 3

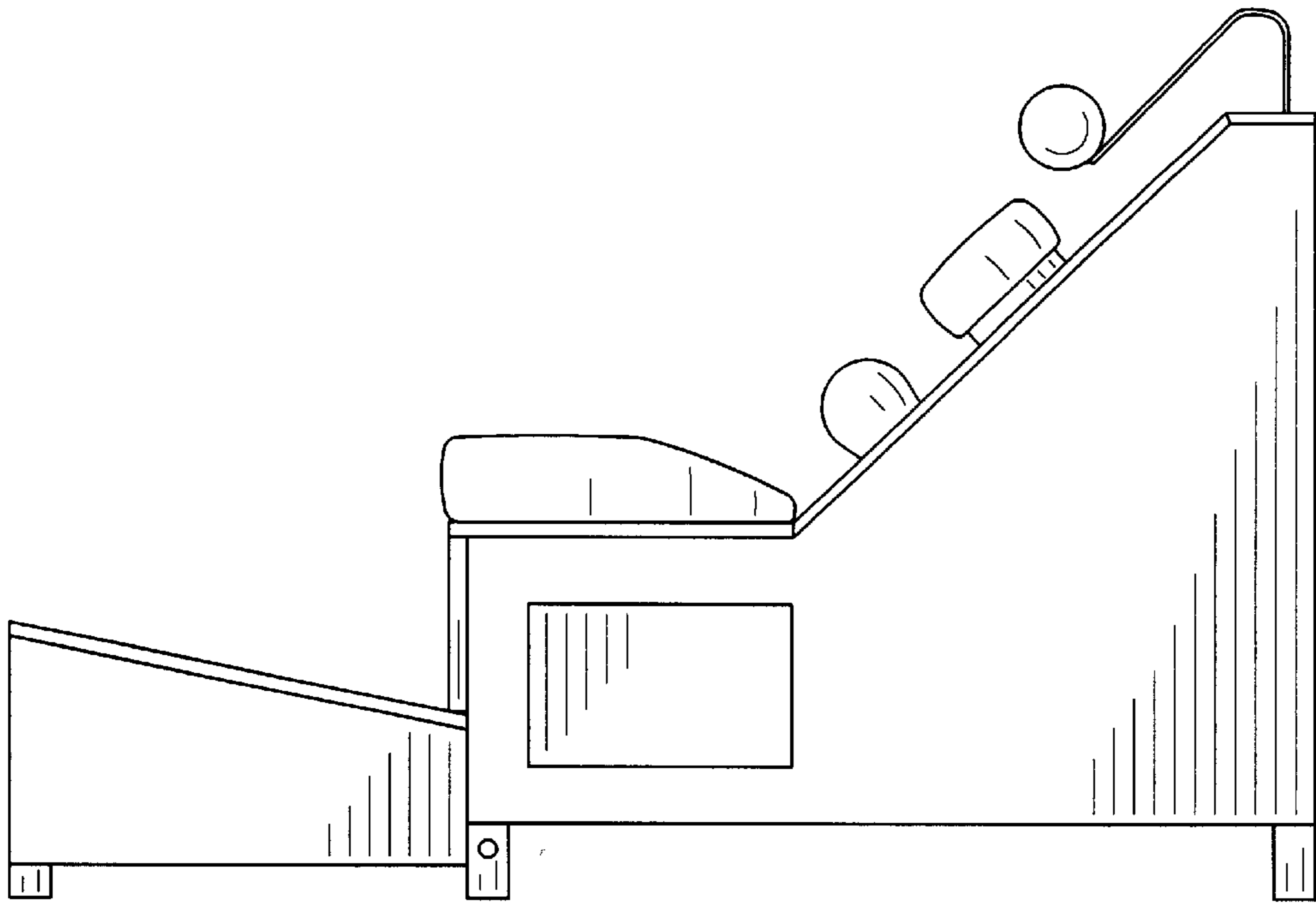


FIG. 4

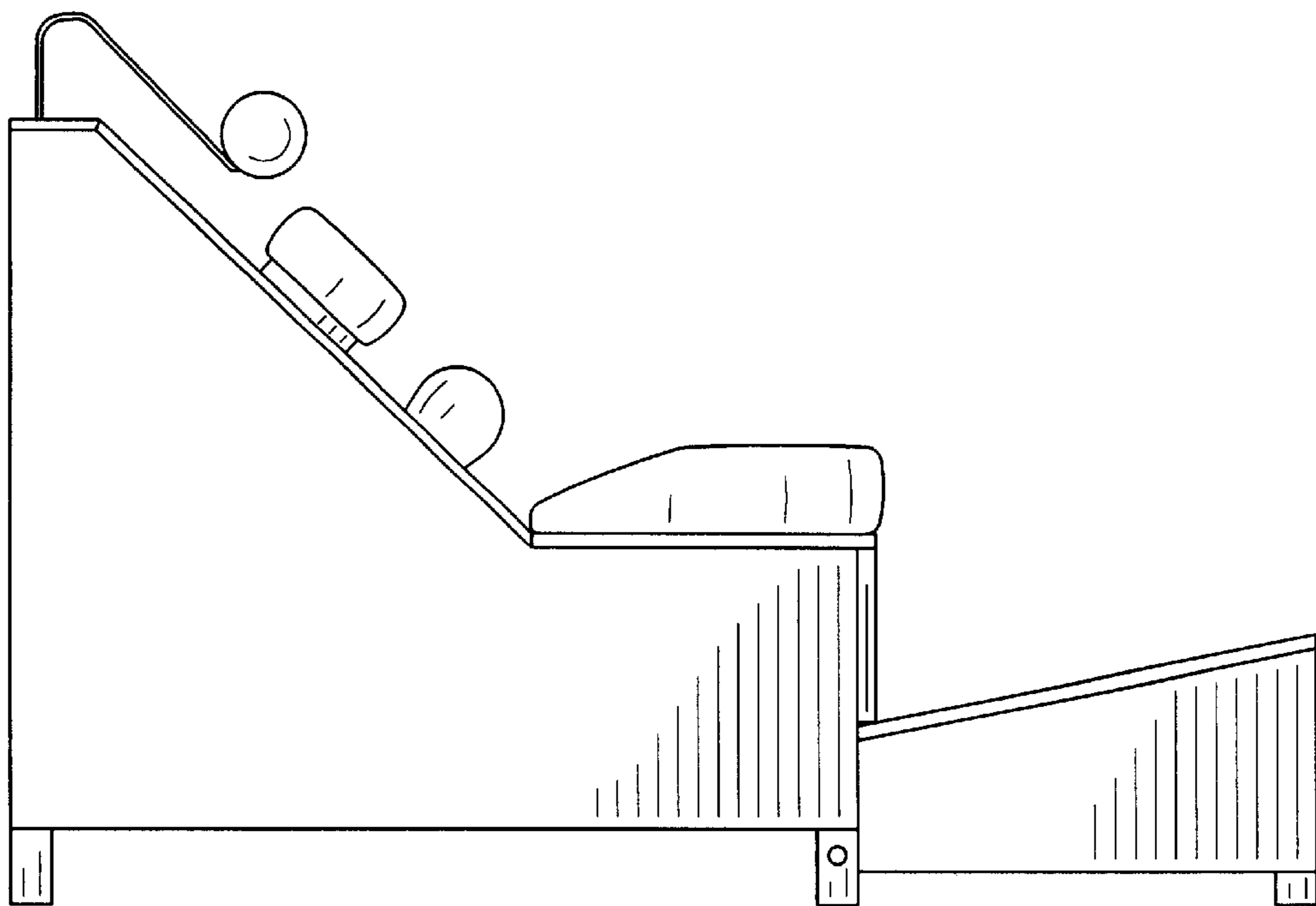


FIG. 5

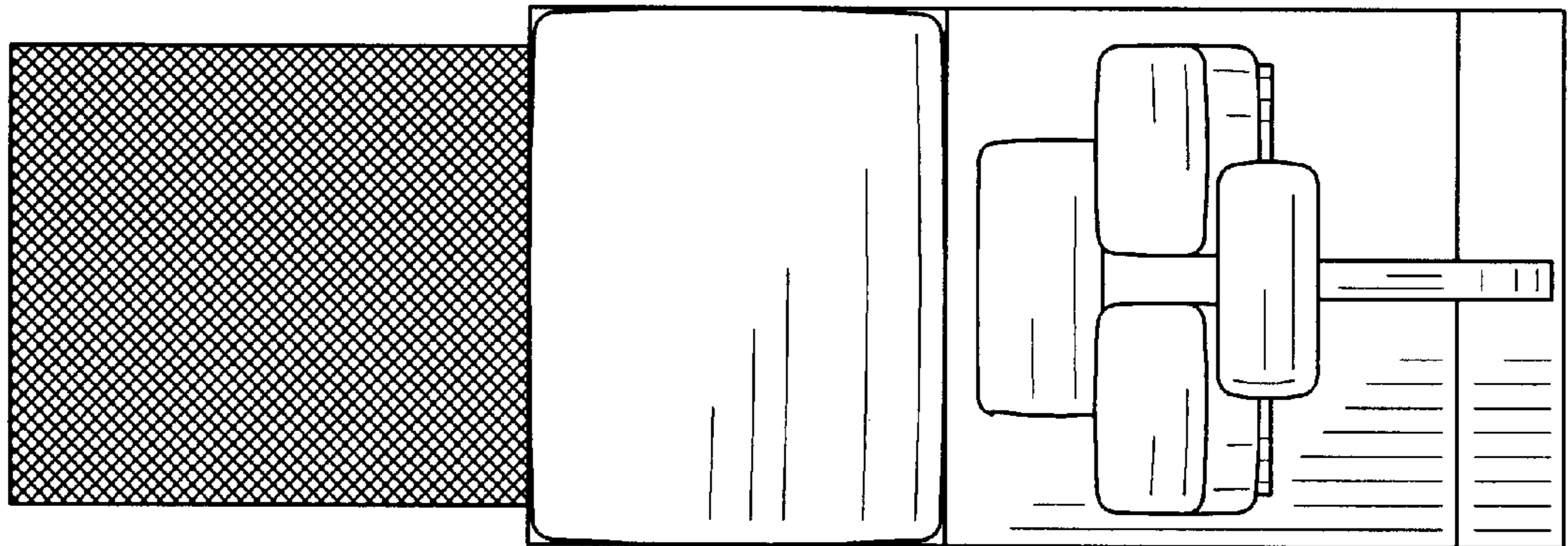


FIG. 6

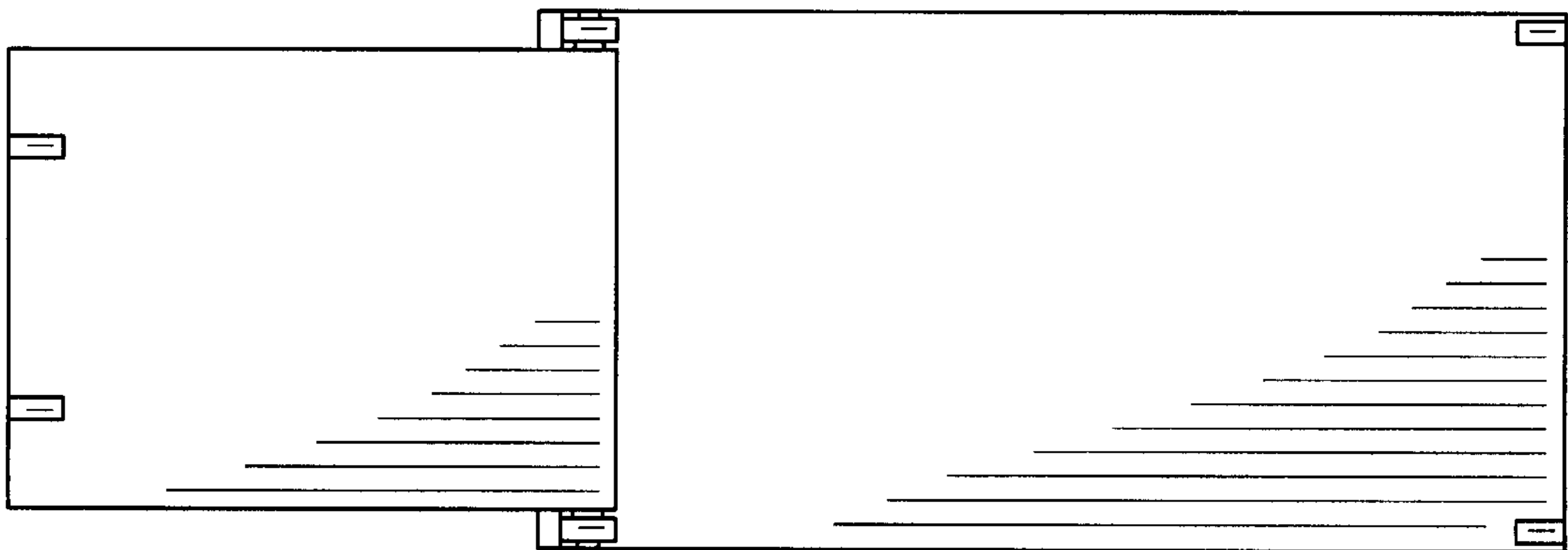


FIG. 7