



US00D487357S

(12) **United States Design Patent**  
**Holt**

(10) **Patent No.:** **US D487,357 S**

(45) **Date of Patent:** **\*\* Mar. 9, 2004**

(54) **BOOT RACK AND MITTEN CLASP COMBINATION**

D403,869 S \* 1/1999 Harmon et al. .... D6/320

\* cited by examiner

(76) **Inventor:** **Thomas R. Holt**, 14040 Old Holt Ct.,  
Lindstrom, MN (US) 55045

*Primary Examiner*—B. J. Bullock

(\*\*) **Term:** **14 Years**

(57) **CLAIM**

(21) **Appl. No.:** **29/168,647**

The ornamental design for a boot rack and mitten clasp combination, as shown and described.

(22) **Filed:** **Oct. 7, 2002**

**DESCRIPTION**

(51) **LOC (7) Cl.** ..... **06-08**

FIG. 1 is a front elevated view of a boot rack and mitten clasp combination showing my new design.

(52) **U.S. Cl.** ..... **D6/326; D6/315**

FIG. 2 is a side elevated view of the boot rack and mitten clasp combination.

(58) **Field of Search** ..... D6/514, 513, 315,  
D6/326; 211/113, 115, 119, 85.3, 34; 223/85

FIG. 3 is a top plan view of the boot rack and mitten clasp combination.

(56) **References Cited**

**U.S. PATENT DOCUMENTS**

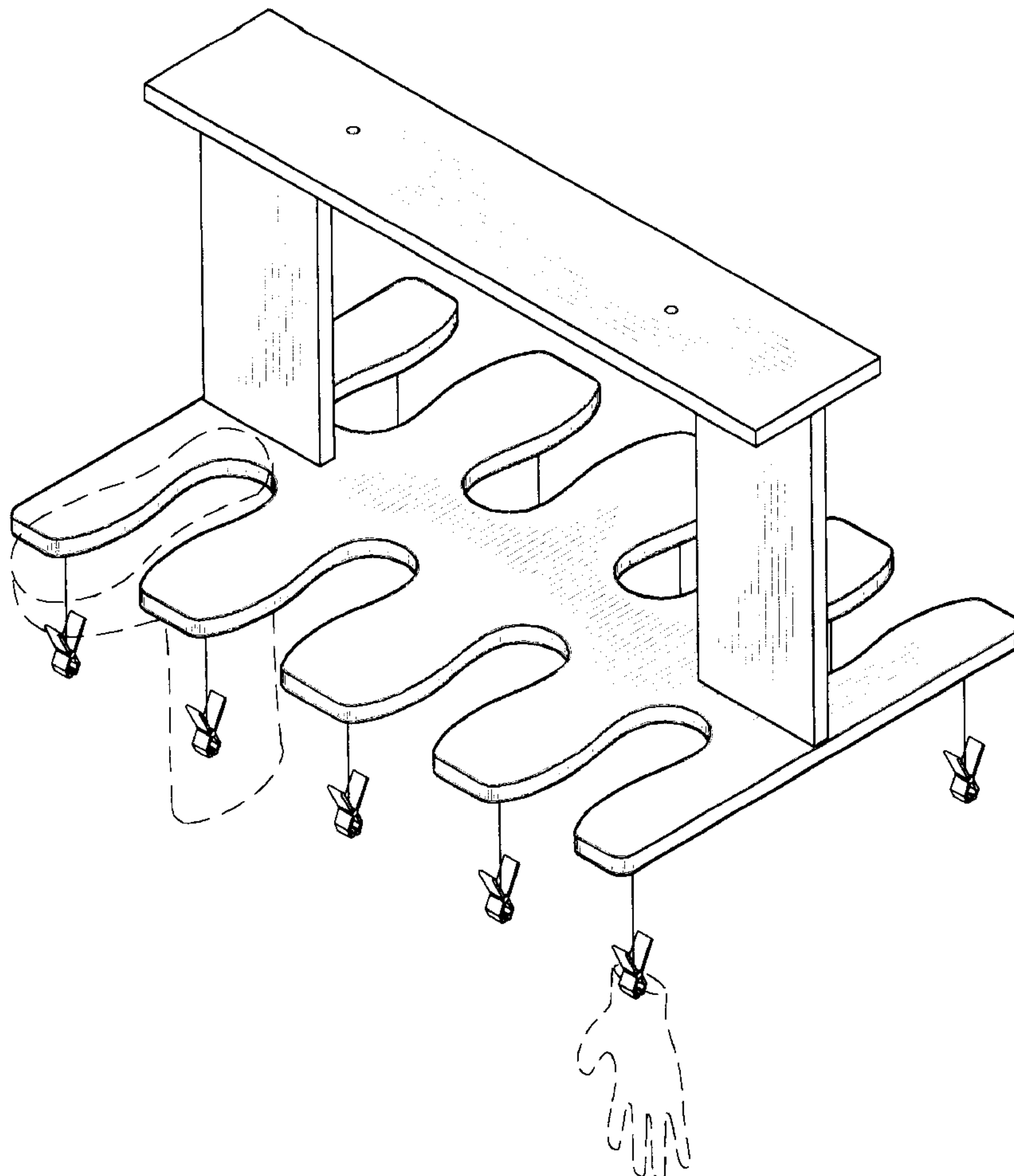
1,720,893	A	*	7/1929	Glidden	.....	211/34
1,815,673	A	*	7/1931	Kelley	.....	211/119
2,703,651	A	*	3/1955	Brockelhurst	.....	211/34
D289,110	S	*	4/1987	Wagner et al.	.....	D6/320
4,768,657	A	*	9/1988	Lonow	.....	211/34
5,421,465	A	*	6/1995	Dunner, Jr.	.....	211/115
5,778,556	A	*	7/1998	Ohsugi	.....	211/34

FIG. 4 is a bottom plan view of the boot rack and mitten clasp combination; and,

FIG. 5 is a front perspective view of the boot rack and mitten clasp combination.

The broken lines are for illustrative purposes only and form no part of the claimed design.

**1 Claim, 3 Drawing Sheets**



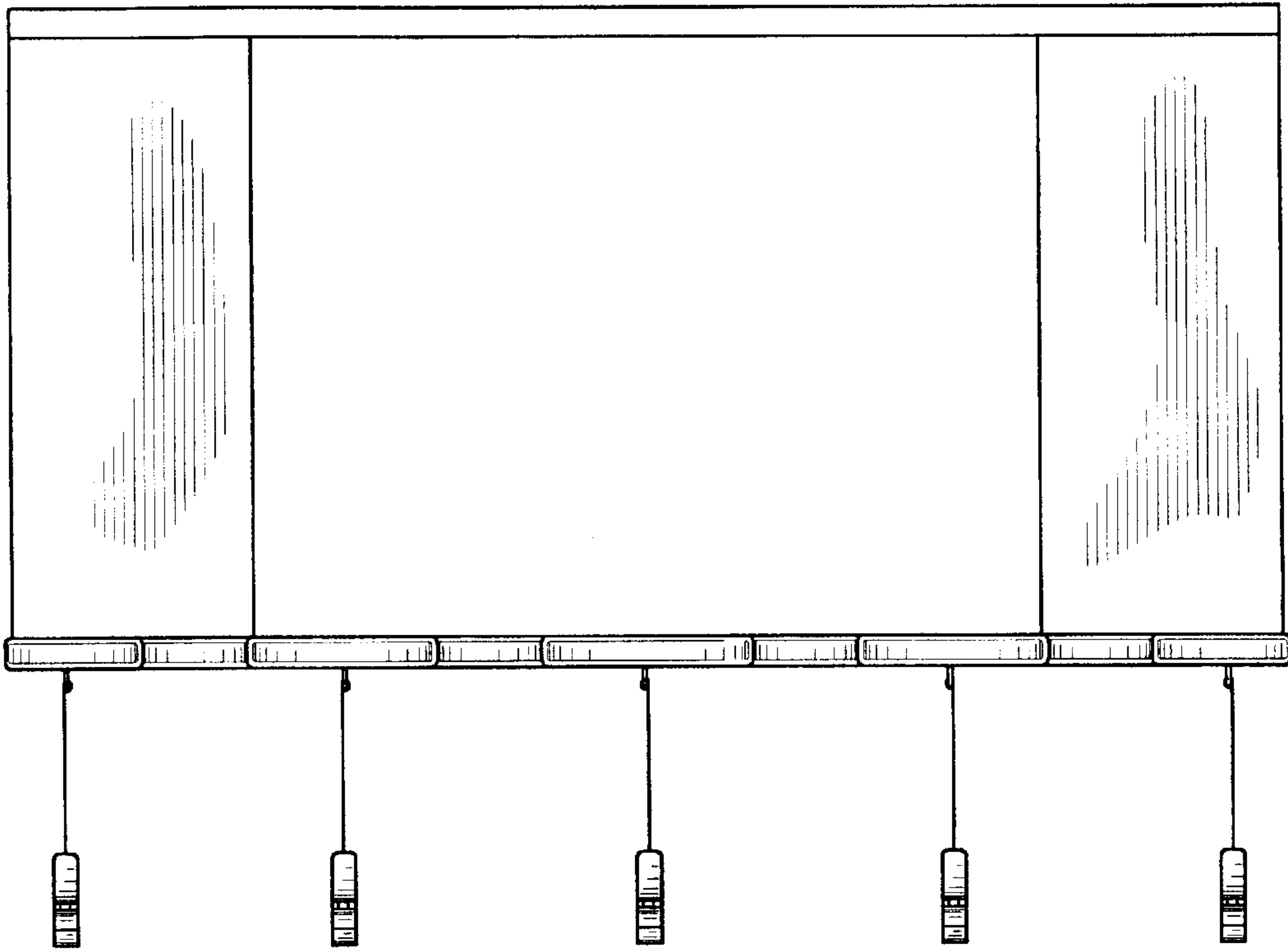


FIG. 1

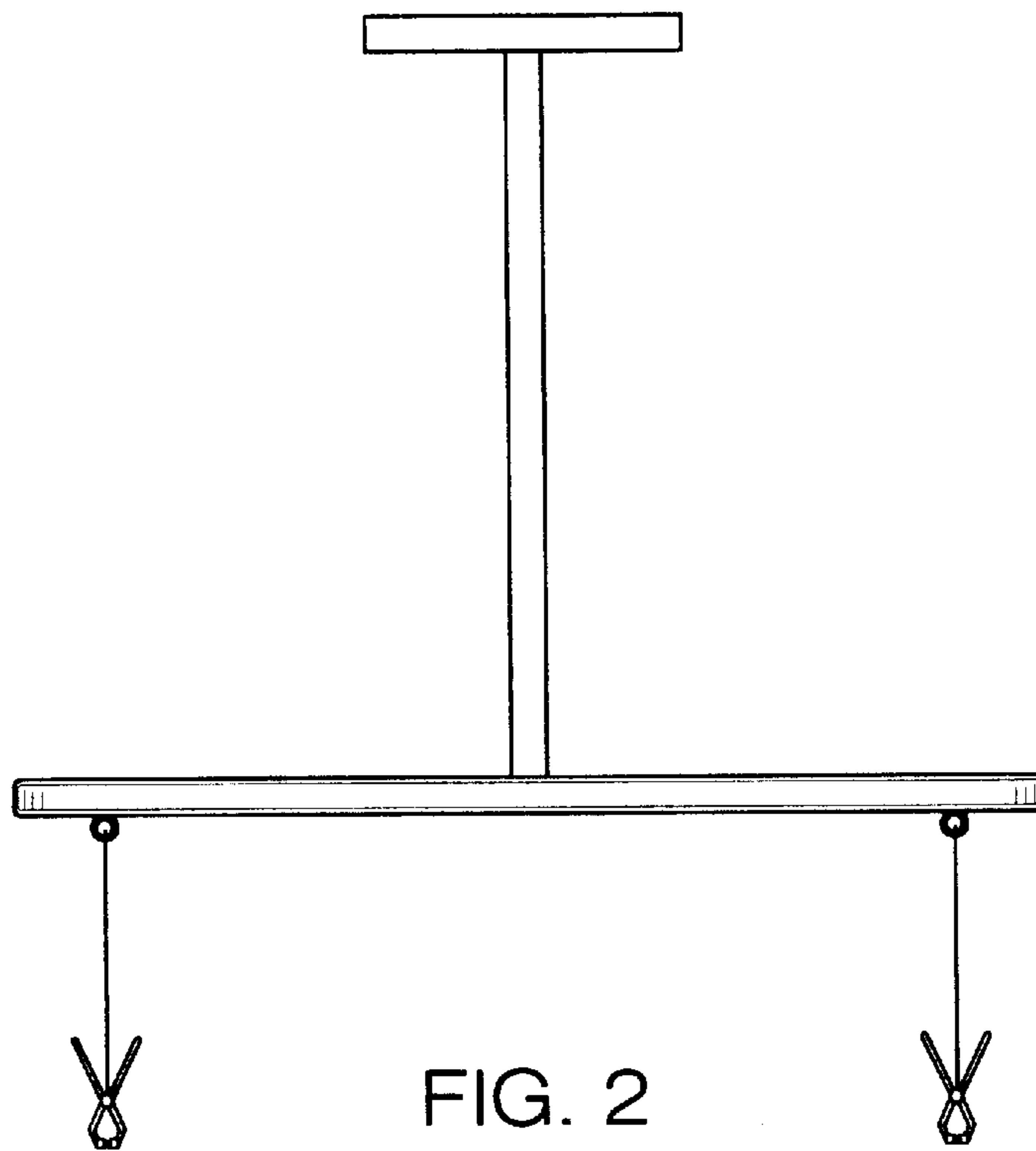


FIG. 2

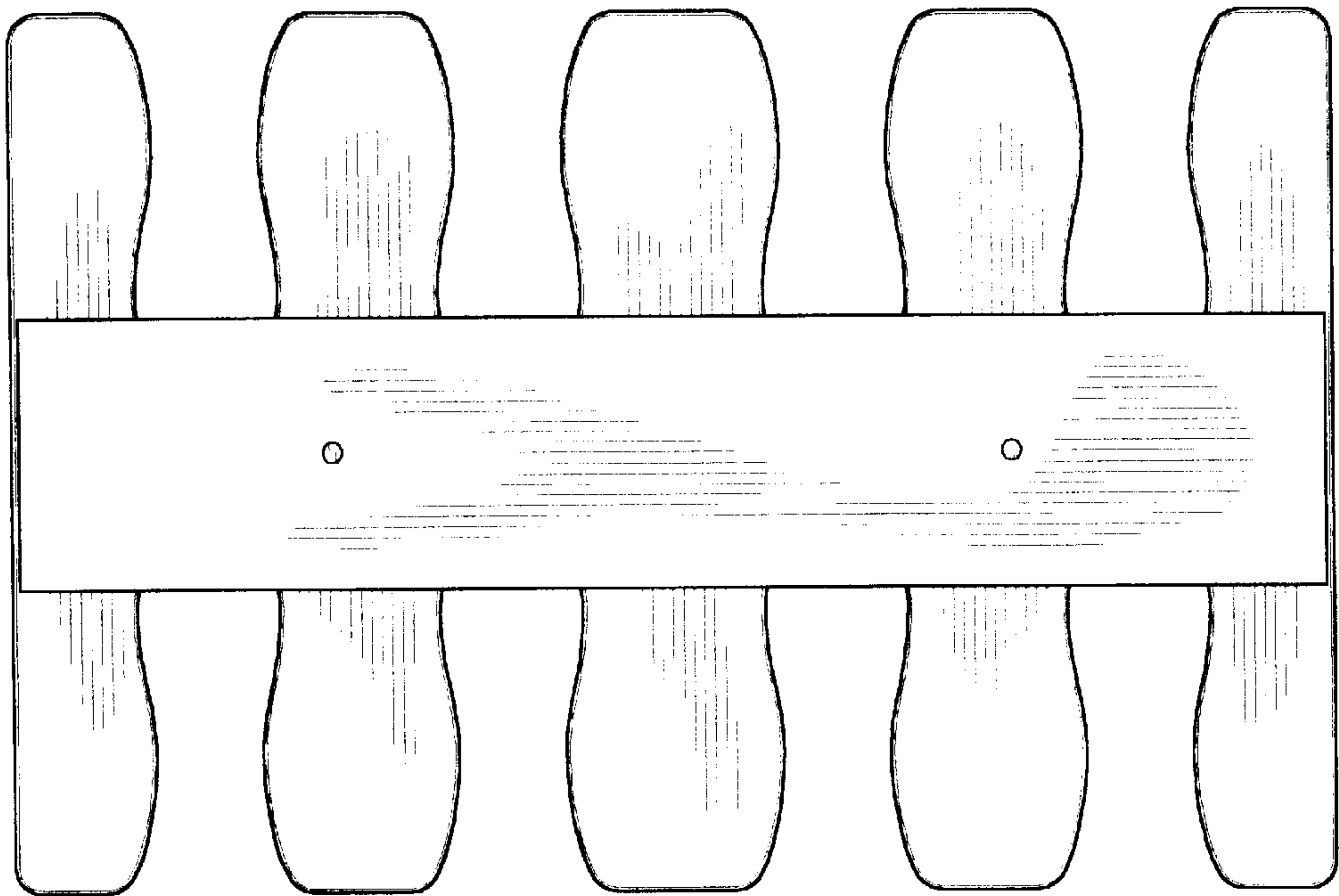


FIG. 3

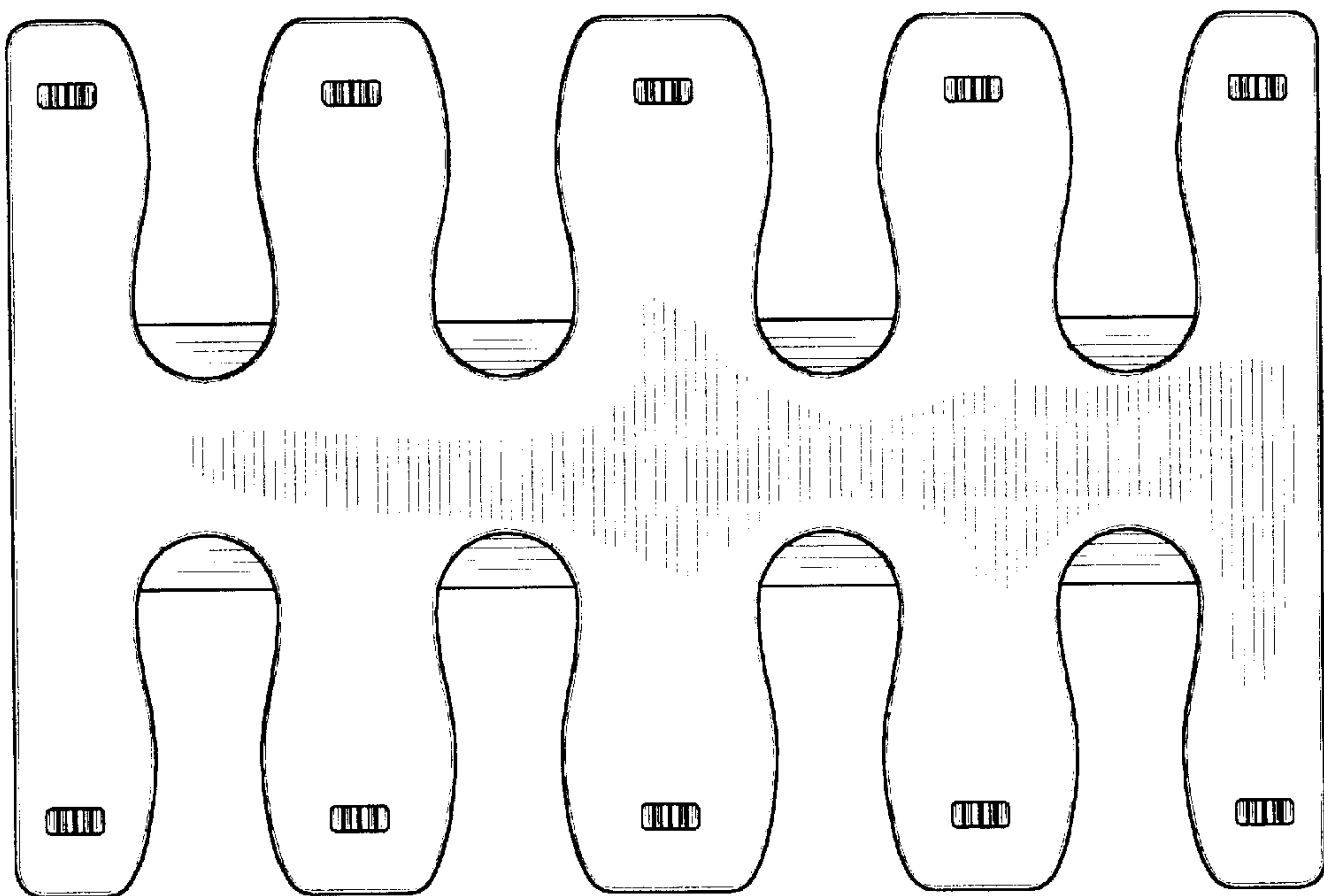


FIG. 4

