



US00D487356S

(12) **United States Design Patent**
Gasparian

(10) **Patent No.:** **US D487,356 S**

(45) **Date of Patent:** **** Mar. 9, 2004**

(54) **STAIRWELL PICTURE FRAME APPARATUS**

D424,813 S * 5/2000 DeMary D6/301
6,338,215 B1 * 1/2002 Vincent 40/730

(76) Inventor: **Karen Gasparian**, 42 Cedarwood Dr.,
Huntington Station, NY (US) 11746

* cited by examiner

(**) Term: **14 Years**

Primary Examiner—Janice E. Seeger

(21) Appl. No.: **29/175,600**

(57) **CLAIM**

(22) Filed: **Feb. 8, 2003**

The ornamental design for a stairwell picture frame apparatus, as shown.

(51) **LOC (7) Cl.** **06-07**

DESCRIPTION

(52) **U.S. Cl.** **D6/301**

(58) **Field of Search** D6/300-303, 308-314;
40/700, 711, 714-716, 720-722, 729, 730,
732, 743, 745, 765, 790, 798

FIG. 1 is a perspective view of the front of the stairwell picture frame apparatus, in the preferred mode.

FIG. 2 is a perspective view of the rear of the stairwell picture frame apparatus, in the preferred mode; and,

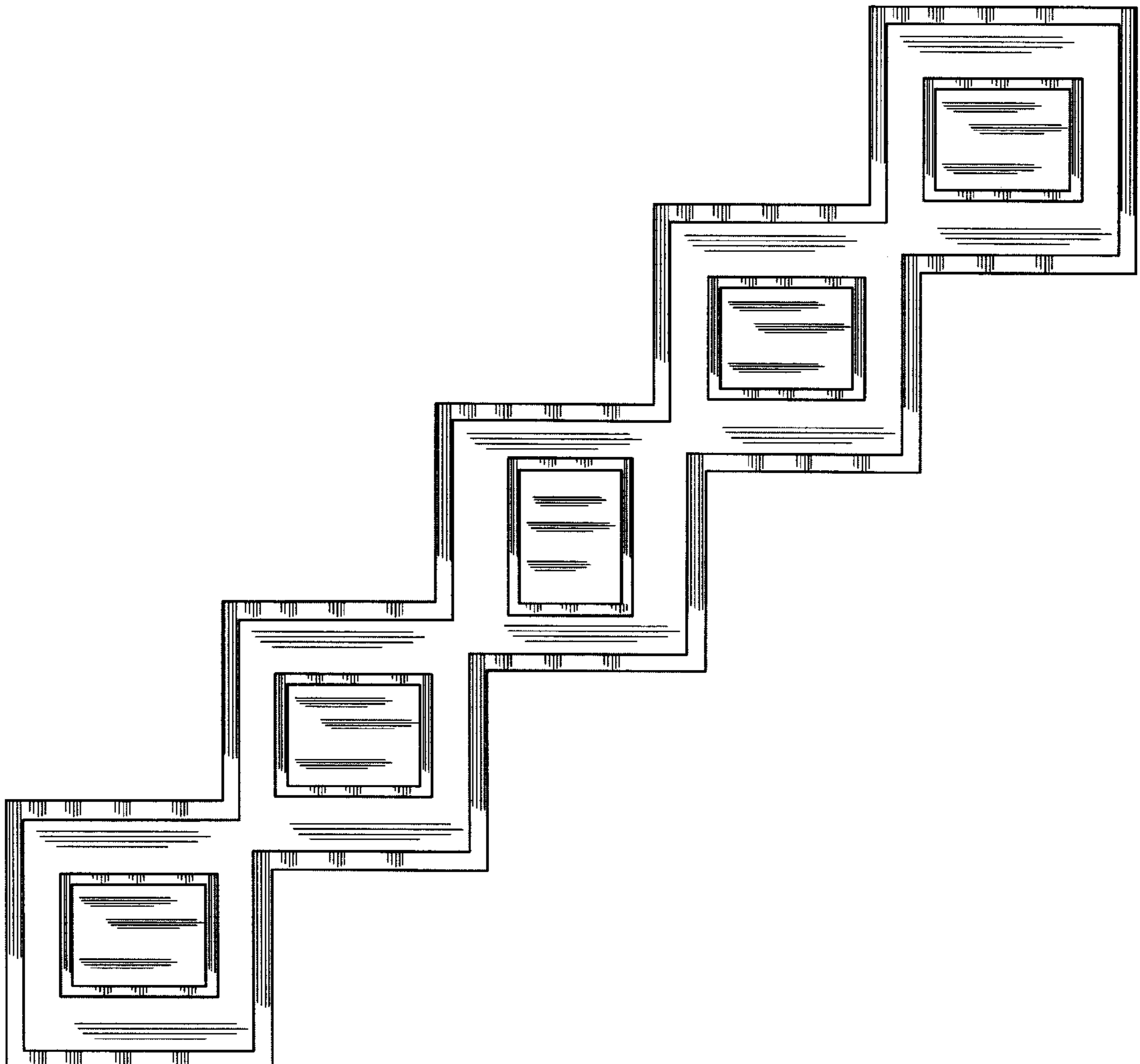
FIG. 3 is an exploded view of the stairwell picture frame apparatus, illustrating frame members, backing board, mat, retaining fasteners, and picture.

(56) **References Cited**

U.S. PATENT DOCUMENTS

3,070,914 A * 1/1963 Henderson et al. 40/790
4,070,780 A * 1/1978 Rosenberg 40/729
4,115,938 A * 9/1978 Belmuth et al. 40/730

1 Claim, 3 Drawing Sheets



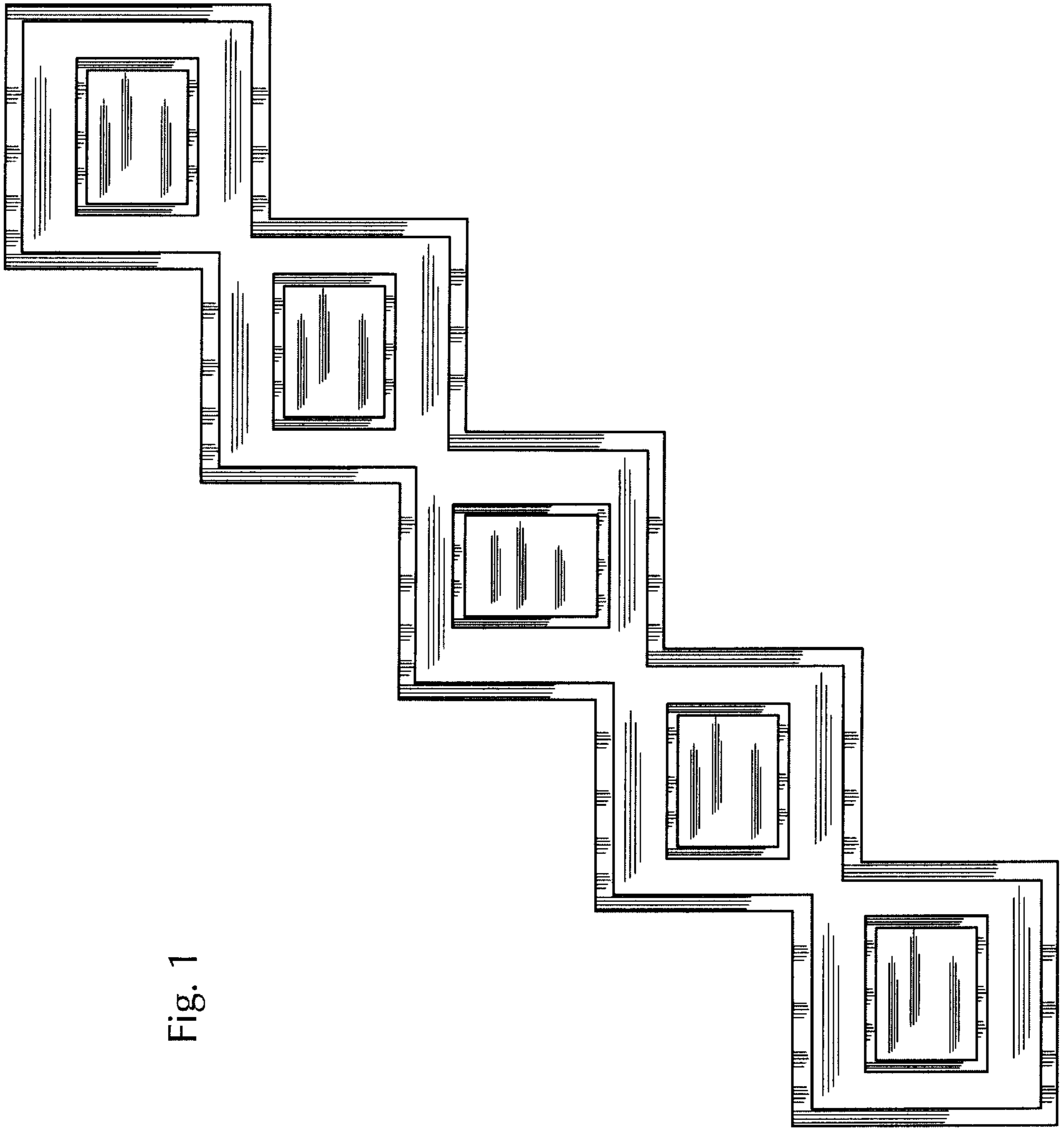


Fig. 1

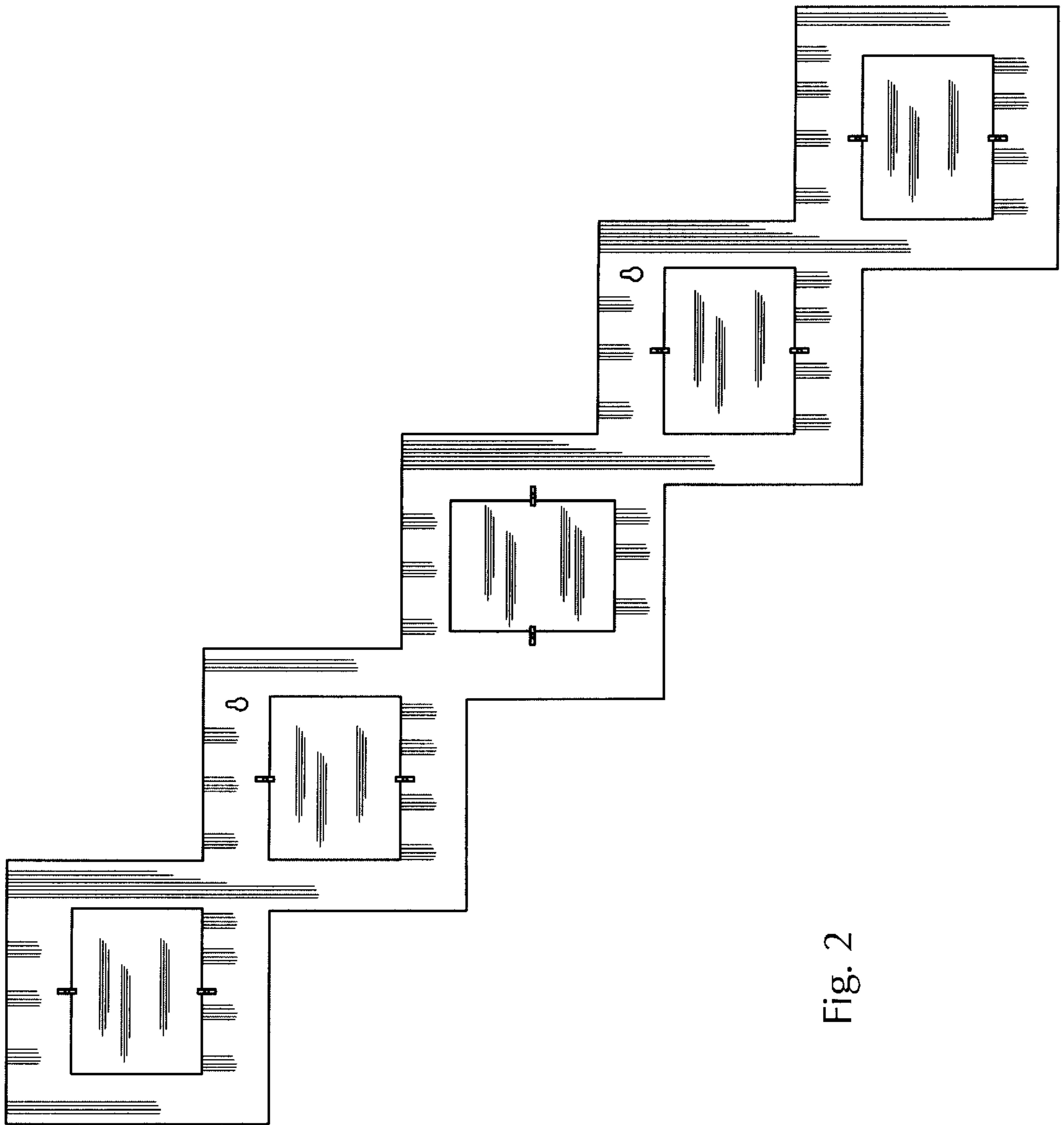


Fig. 2

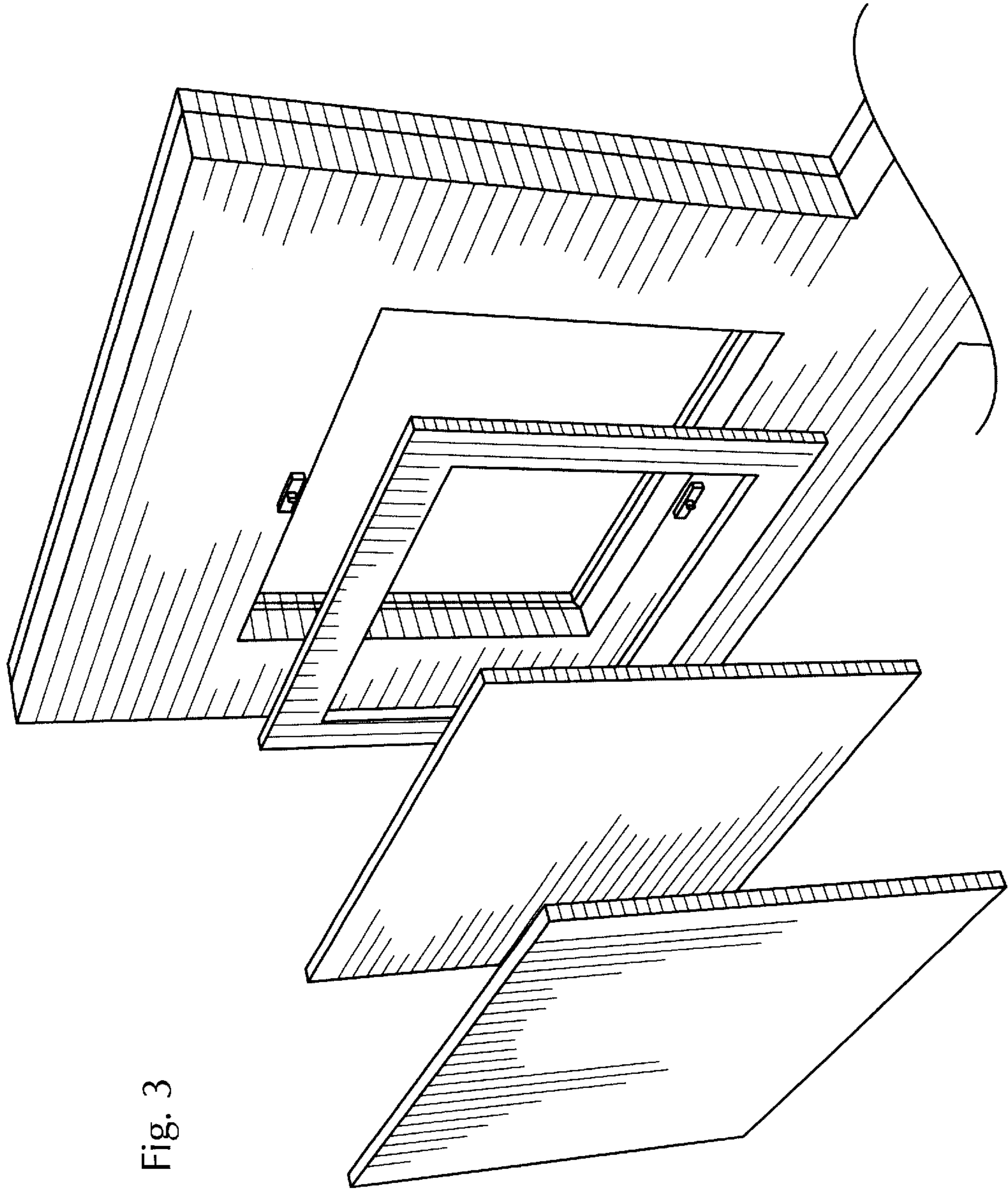


Fig. 3