



US00D487351S

(12) **United States Design Patent**
Frazell

(10) **Patent No.:** **US D487,351 S**

(45) **Date of Patent:** **** Mar. 9, 2004**

- (54) **SPOON SHAPED TOOTHBRUSH**
- (76) Inventor: **Dale M. Frazell**, 2205 W. Pleasanton Ave., Boise, ID (US) 83702
- (**) Term: **14 Years**
- (21) Appl. No.: **29/170,408**
- (22) Filed: **Nov. 5, 2002**
- (51) **LOC (7) Cl.** **04-02**
- (52) **U.S. Cl.** **D4/104**
- (58) **Field of Search** D4/104-112, 116, D4/118, 132, 134, 136, 138; D24/146, 147; 15/105, 110, 111, 143.1, 159.1, 167.1, 167.2, 186-188; 132/308, 309; 606/161; 601/139, 141

- (56) **References Cited**
- U.S. PATENT DOCUMENTS**
- D95,777 S * 5/1935 Peterkin et al. D4/108
- D170,603 S * 10/1953 Pennington D4/116
- D201,350 S * 6/1965 Taylor D4/108
- 3,917,420 A * 11/1975 Watson 15/167.1 X
- FOREIGN PATENT DOCUMENTS**
- FR 2232284 * 1/1975 A46B/9/04

JP 7-163423 * 6/1995 A46B/15/00

* cited by examiner

Primary Examiner—Alan P. Douglas
Assistant Examiner—Lavone D. Tabor
(74) *Attorney, Agent, or Firm*—Frank J. Dykas; Robert L. Shaver; Stephen M. Nipper

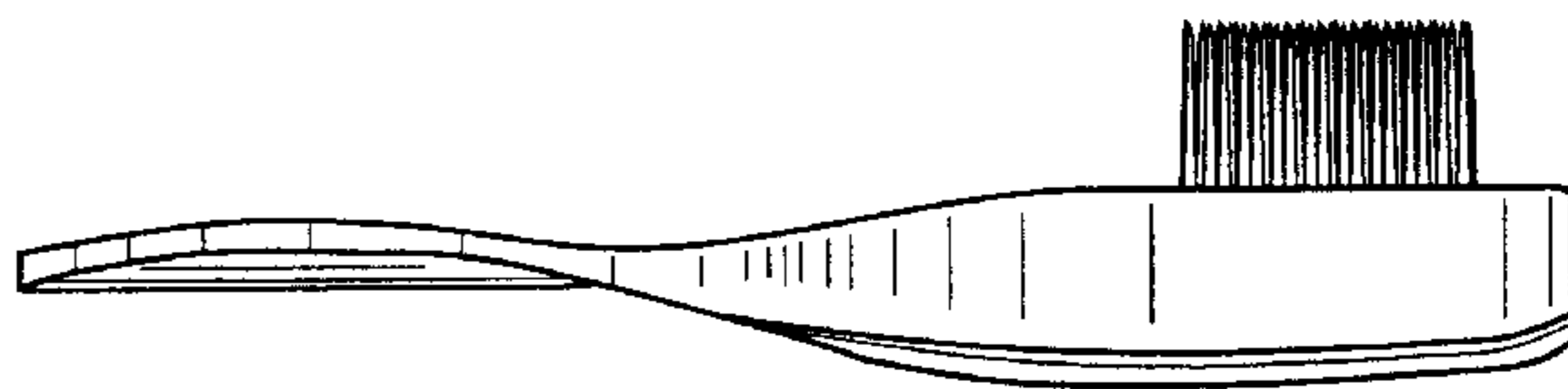
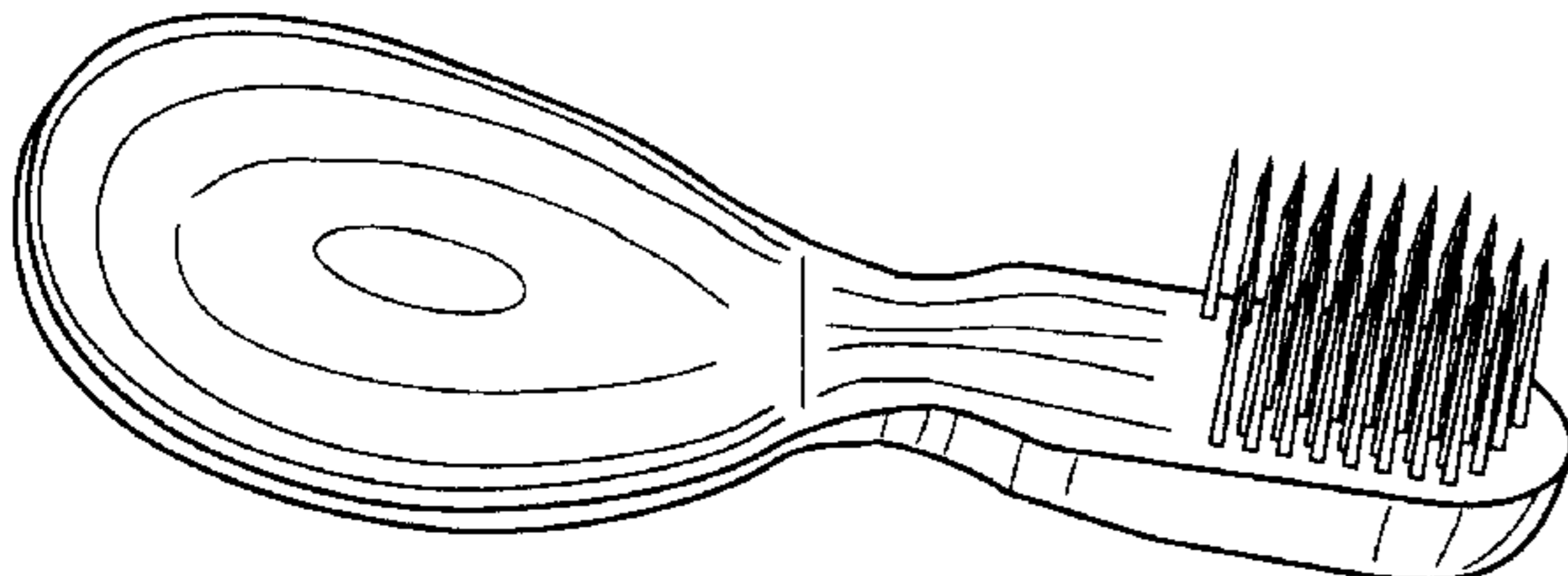
(57) **CLAIM**

The ornamental design for a spoon shaped toothbrush, as shown and described.

DESCRIPTION

FIG. 1 is a perspective representational view of the spoon shaped toothbrush;
FIG. 2 is a bottom plan view, of the spoon shaped toothbrush;
FIG. 3 is a first side view of the spoon shaped toothbrush;
FIG. 4 is a top plan view of the spoon shaped toothbrush;
FIG. 5 is a first end view of the spoon shaped toothbrush;
and,
FIG. 6 is a second end view of the spoon shaped toothbrush.

1 Claim, 2 Drawing Sheets



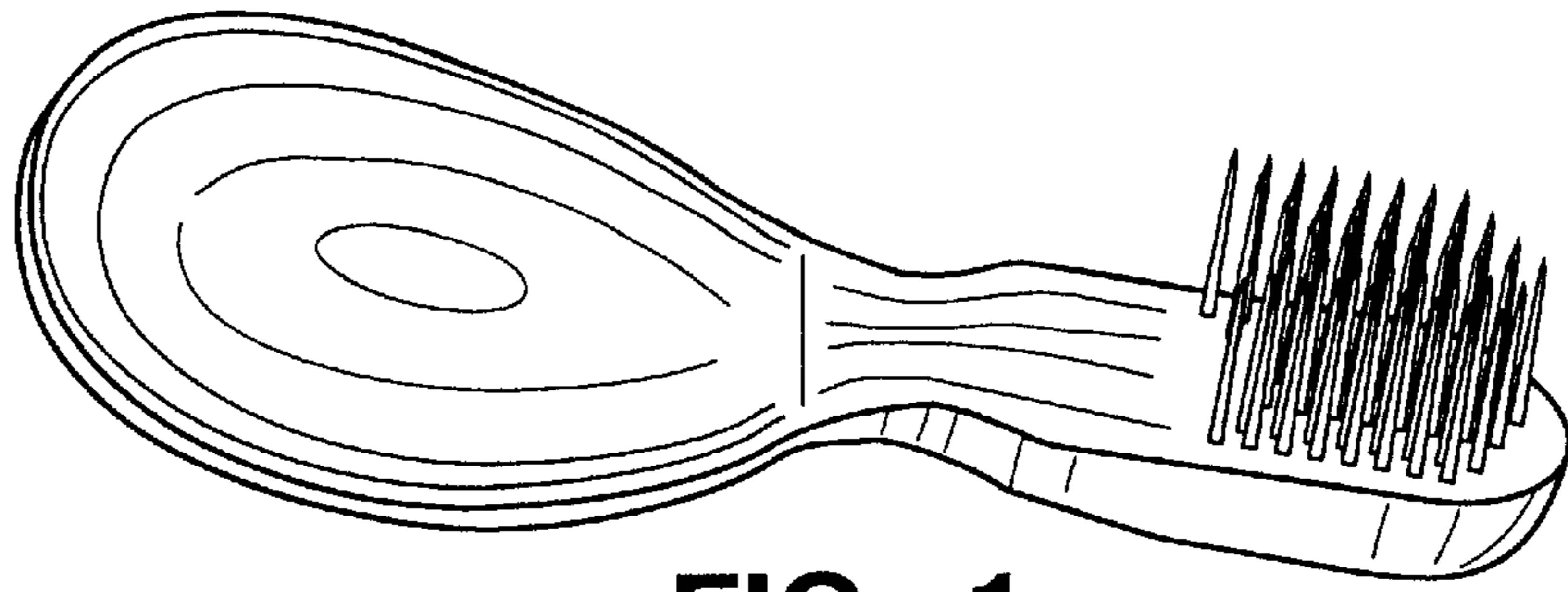


FIG. 1

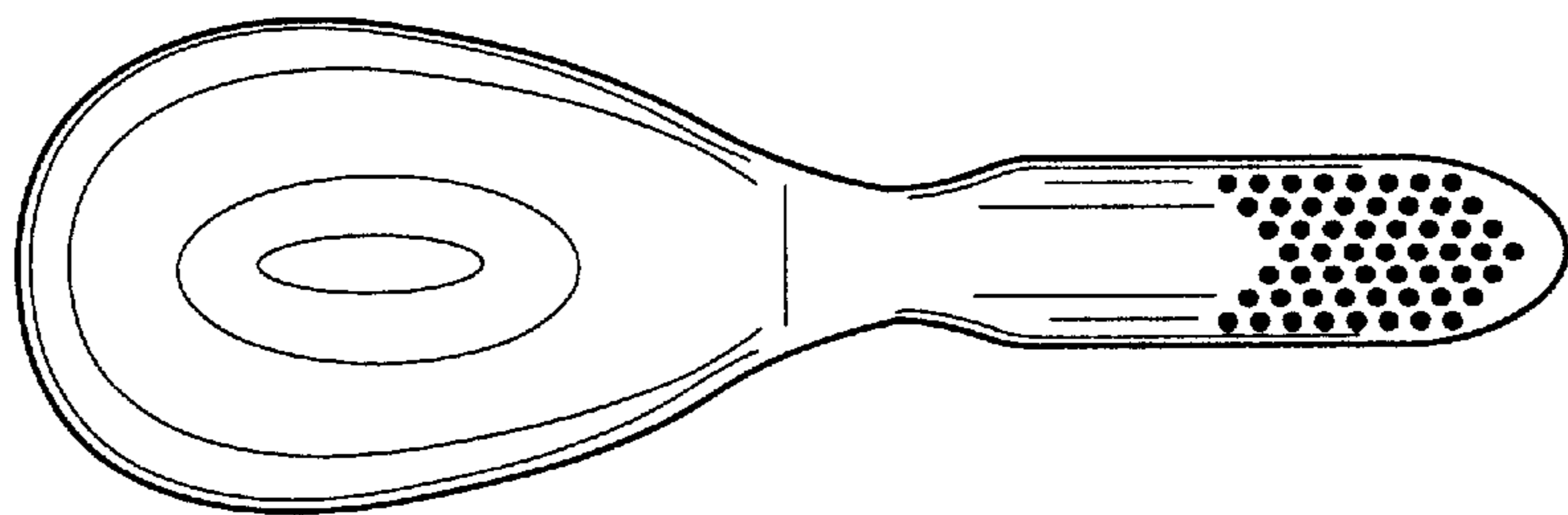


FIG. 2

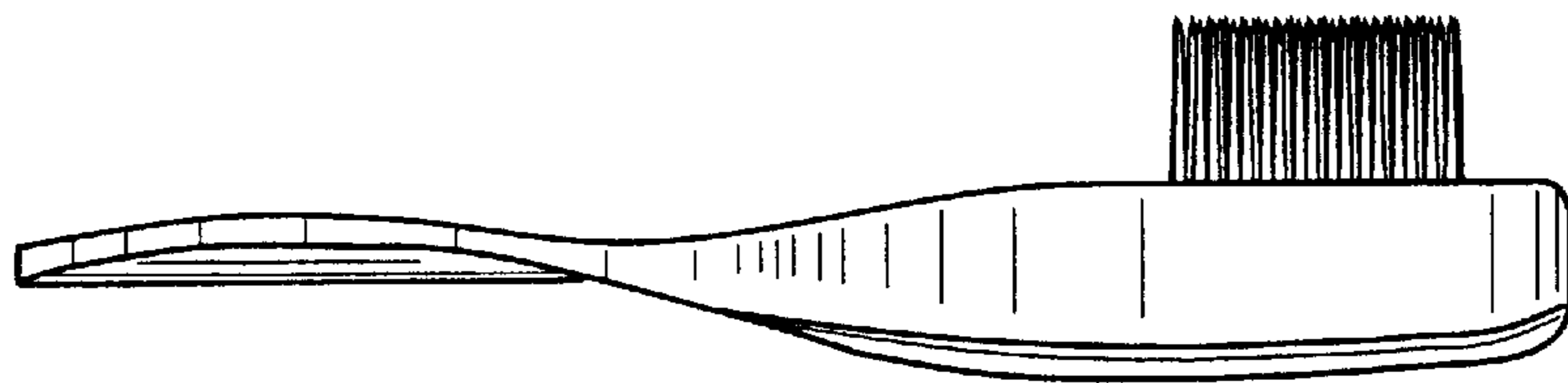


FIG. 3

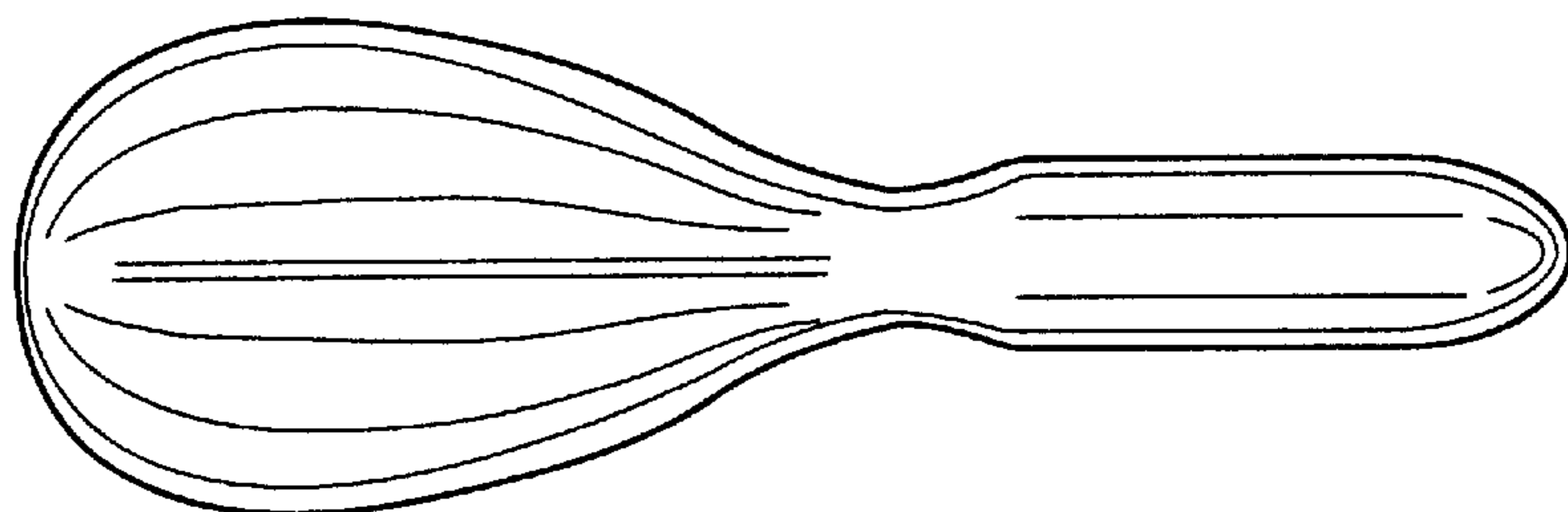


FIG. 4

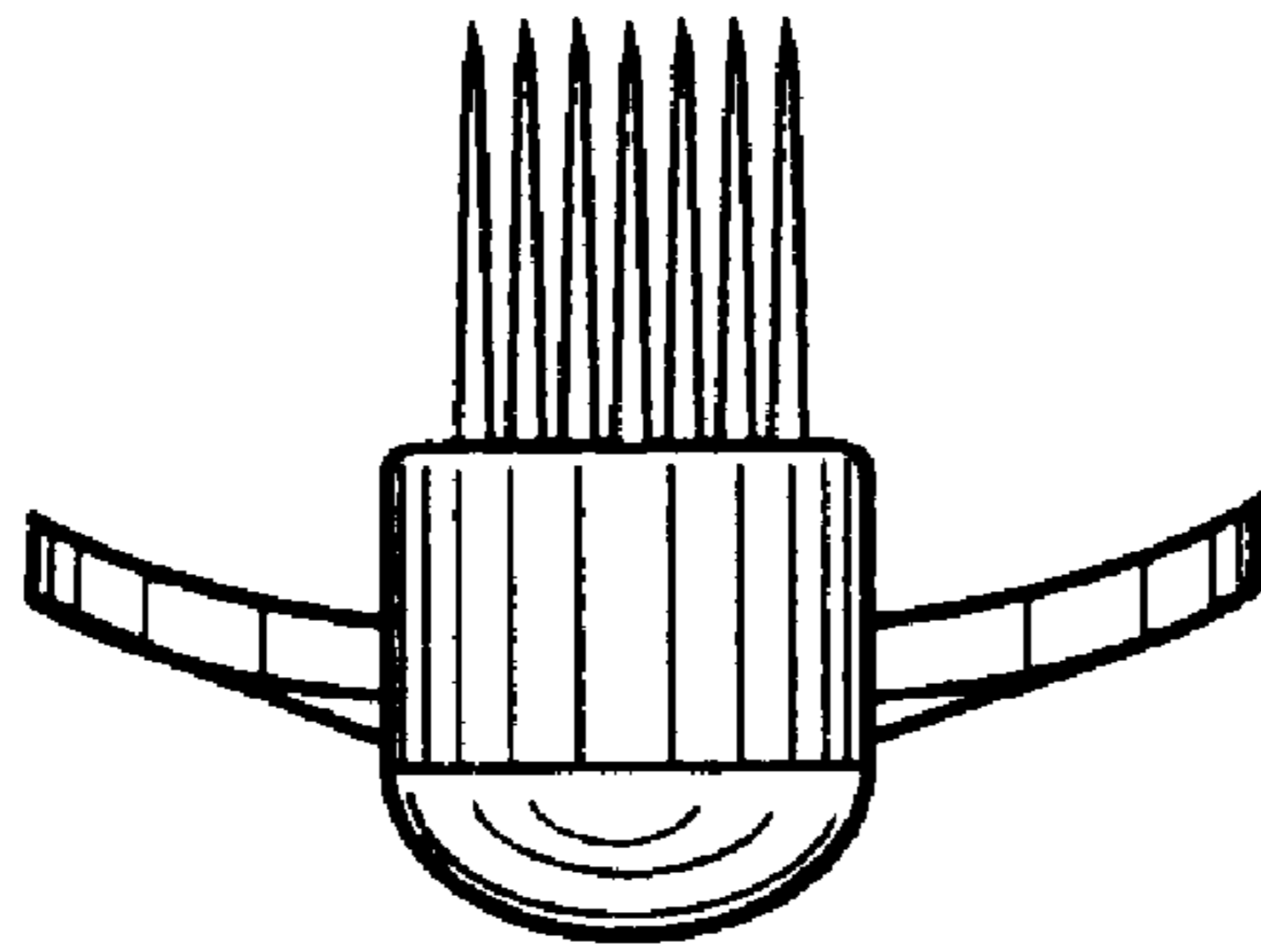


FIG. 5

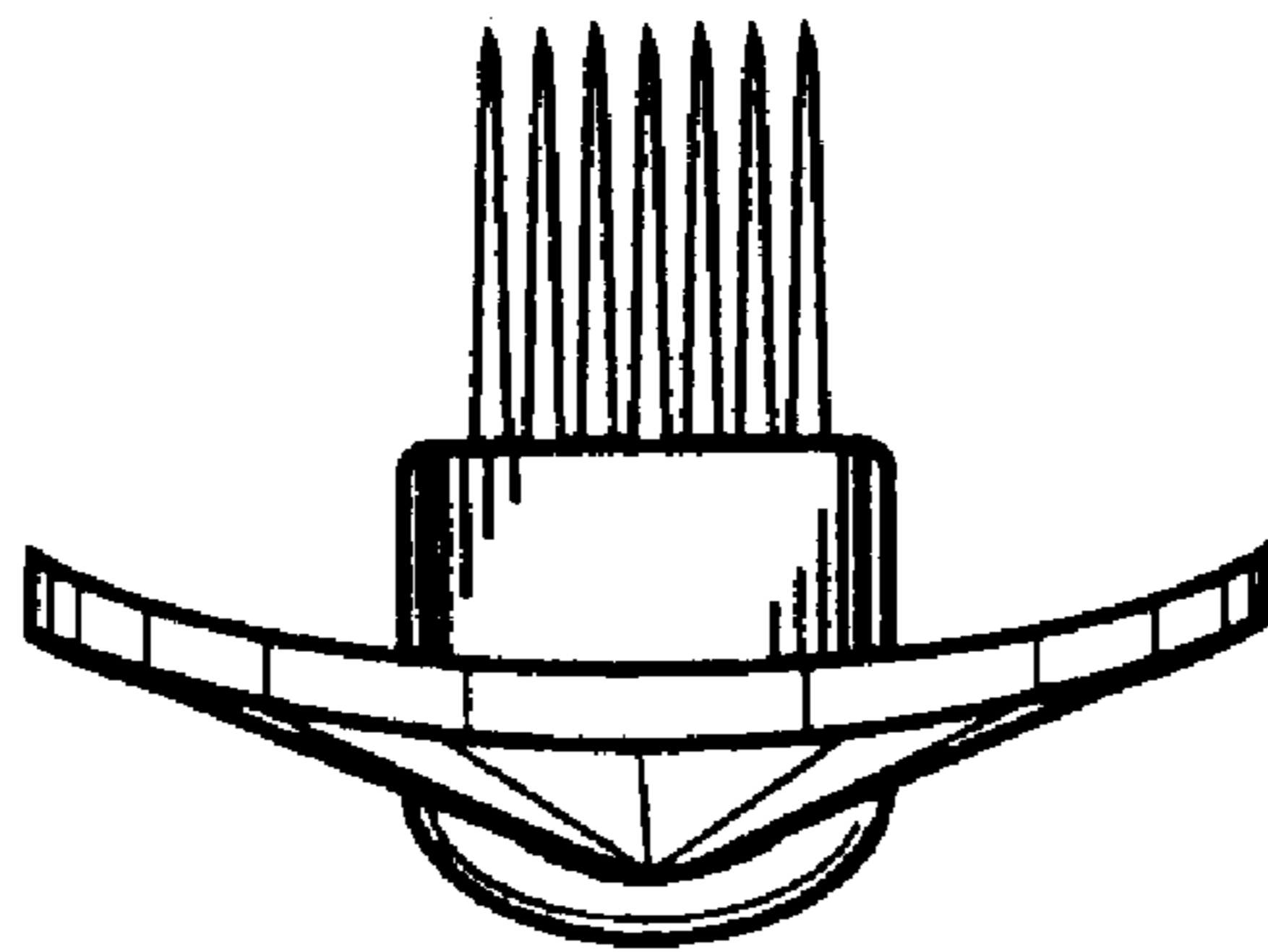


FIG. 6