



US00D487345S

(12) **United States Design Patent**
Brouard

(10) **Patent No.:** **US D487,345 S**

(45) **Date of Patent:** **** Mar. 9, 2004**

(54) **TOOL BAG**

D465,923 S * 11/2002 Pangerc et al. D3/289

(76) Inventor: **Roger Brouard**, 1 Lane Rd., Norwalk,
CT (US) 06851

* cited by examiner

(**) Term: **14 Years**

Primary Examiner—Philip S. Hyder
(74) *Attorney, Agent, or Firm*—McCormick, Paulding &
Huber LLP

(21) Appl. No.: **29/175,497**

(57) **CLAIM**

(22) Filed: **Feb. 5, 2003**

I claim the ornamental design for a tool bag, as shown and
described.

(51) **LOC (7) Cl.** **03-01**

(52) **U.S. Cl.** **D3/289; D3/276**

(58) **Field of Search** D3/273, 276, 285,
D3/287, 289, 301, 283; 190/109, 110, 111,
112, 113, 114, 115; 206/349, 373

DESCRIPTION

(56) **References Cited**

U.S. PATENT DOCUMENTS

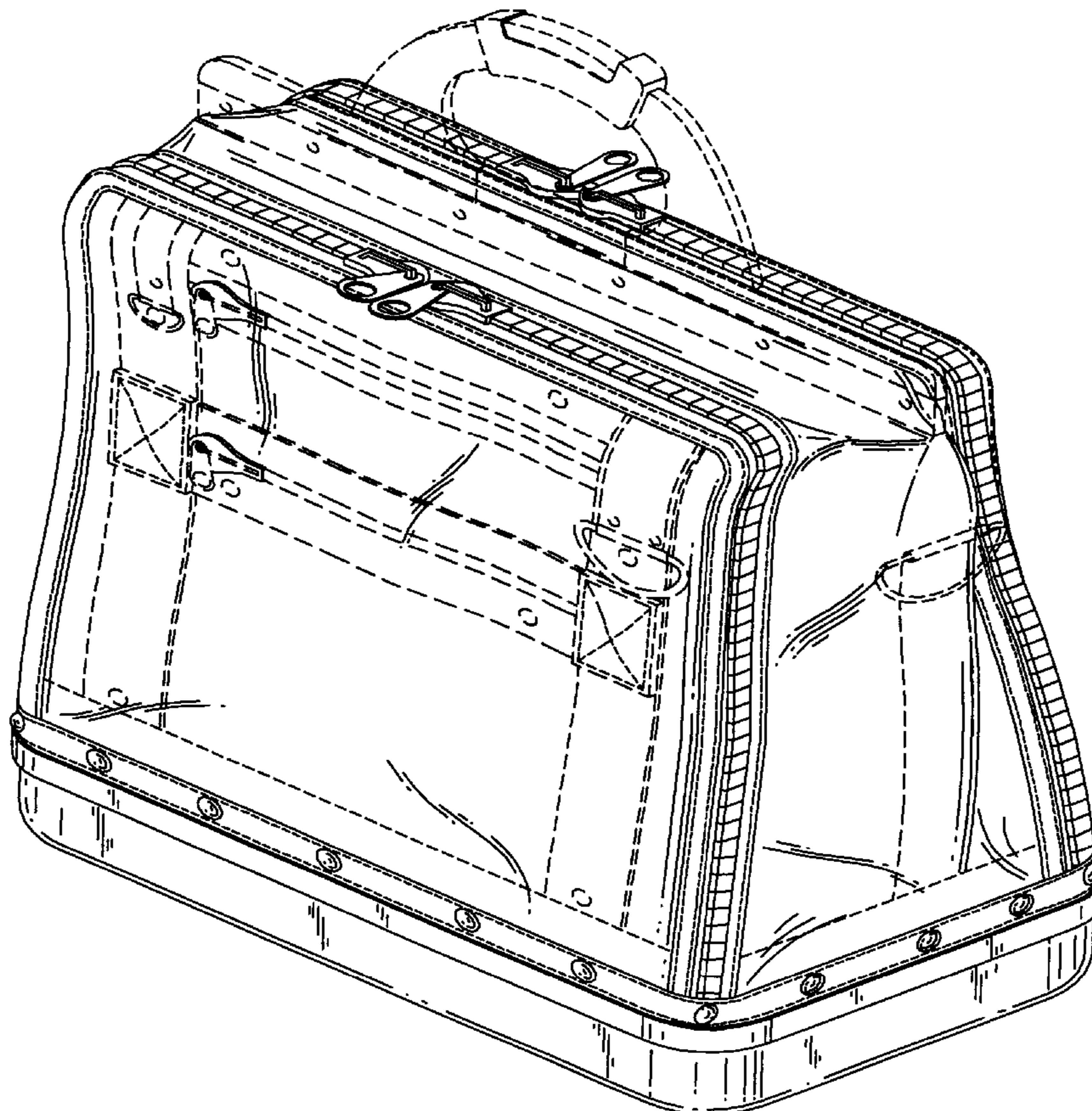
4,561,525	A	*	12/1985	Shidner	190/106
5,423,404	A	*	6/1995	Shaw	190/102
D361,662	S	*	8/1995	King et al.	D3/276
5,653,337	A	*	8/1997	Cirigliano	206/373
D426,384	S	*	6/2000	Brouard	D3/276
6,126,003	A	*	10/2000	Brouard	206/373
6,179,185	B1	*	1/2001	Dancyger	224/576
D447,340	S	*	9/2001	Snider	D3/276
D447,632	S	*	9/2001	Gisser	D3/289

FIG. 1 is a perspective view of the tool bag in a closed
position;
FIG. 2 is a top view of the tool bag;
FIG. 3 is a right side view of the tool bag;
FIG. 4 is a bottom view of the tool bag;
FIG. 5 is a right end view of the tool bag; and,
FIG. 6 is perspective view of the tool bag in an open
position.

The broken lines shown in FIGS. 1–6 are for illustrative
purposes only and form no part of the claimed design.

The short, tightly spaced dashes in FIGS. 1, 2, 3, 5, and 6
indicate stitching.

1 Claim, 4 Drawing Sheets



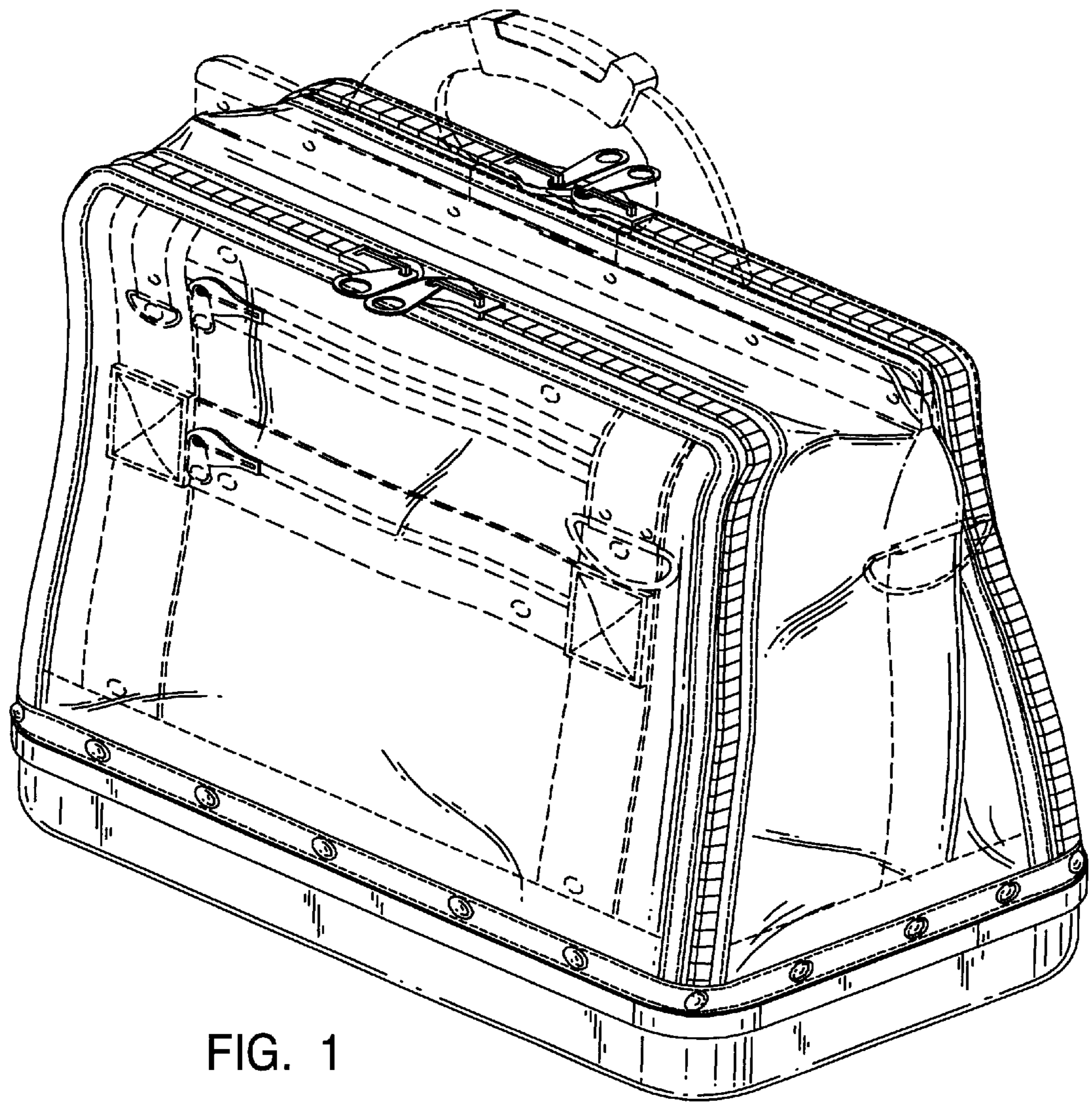


FIG. 1

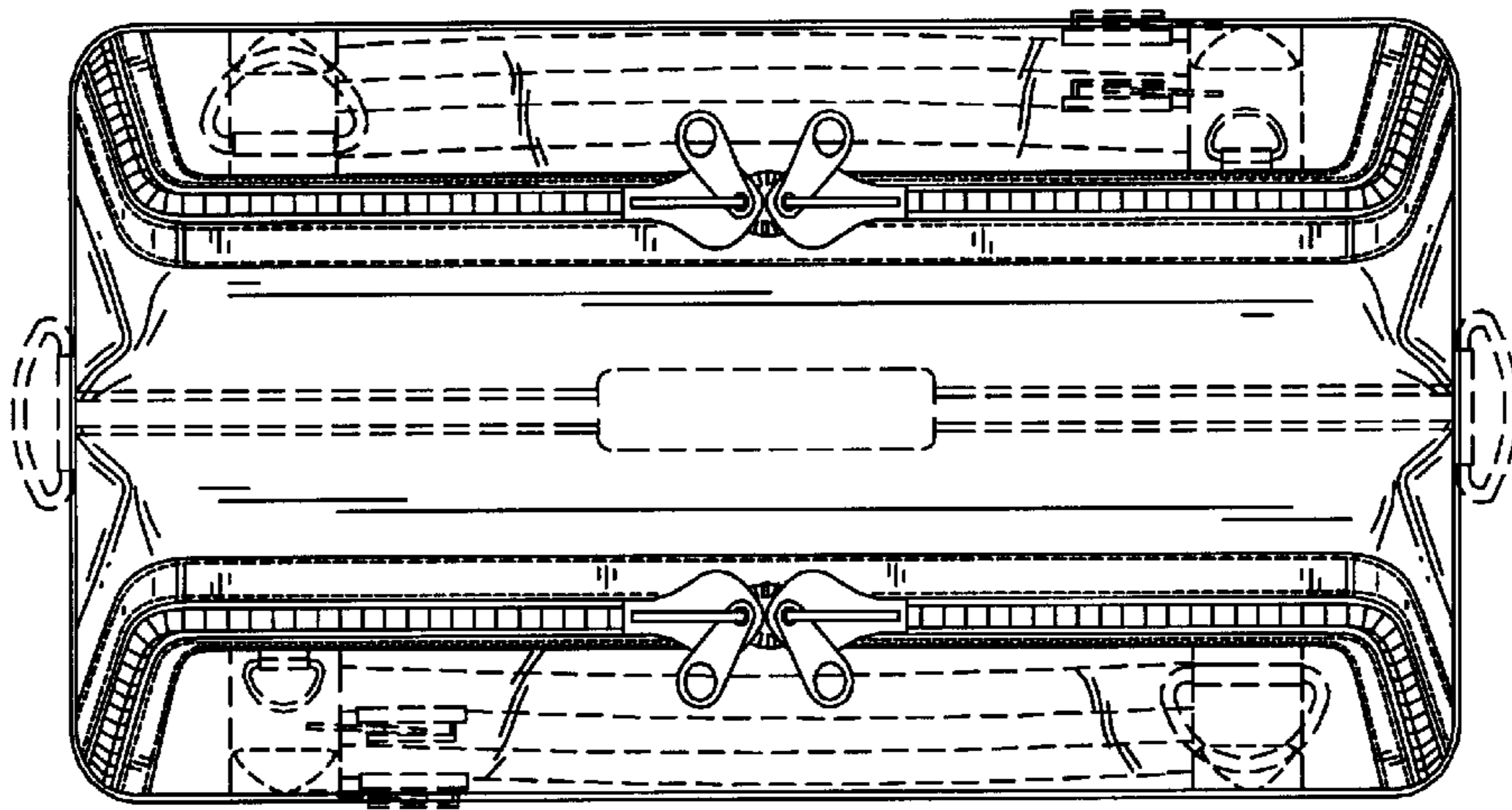


FIG. 2

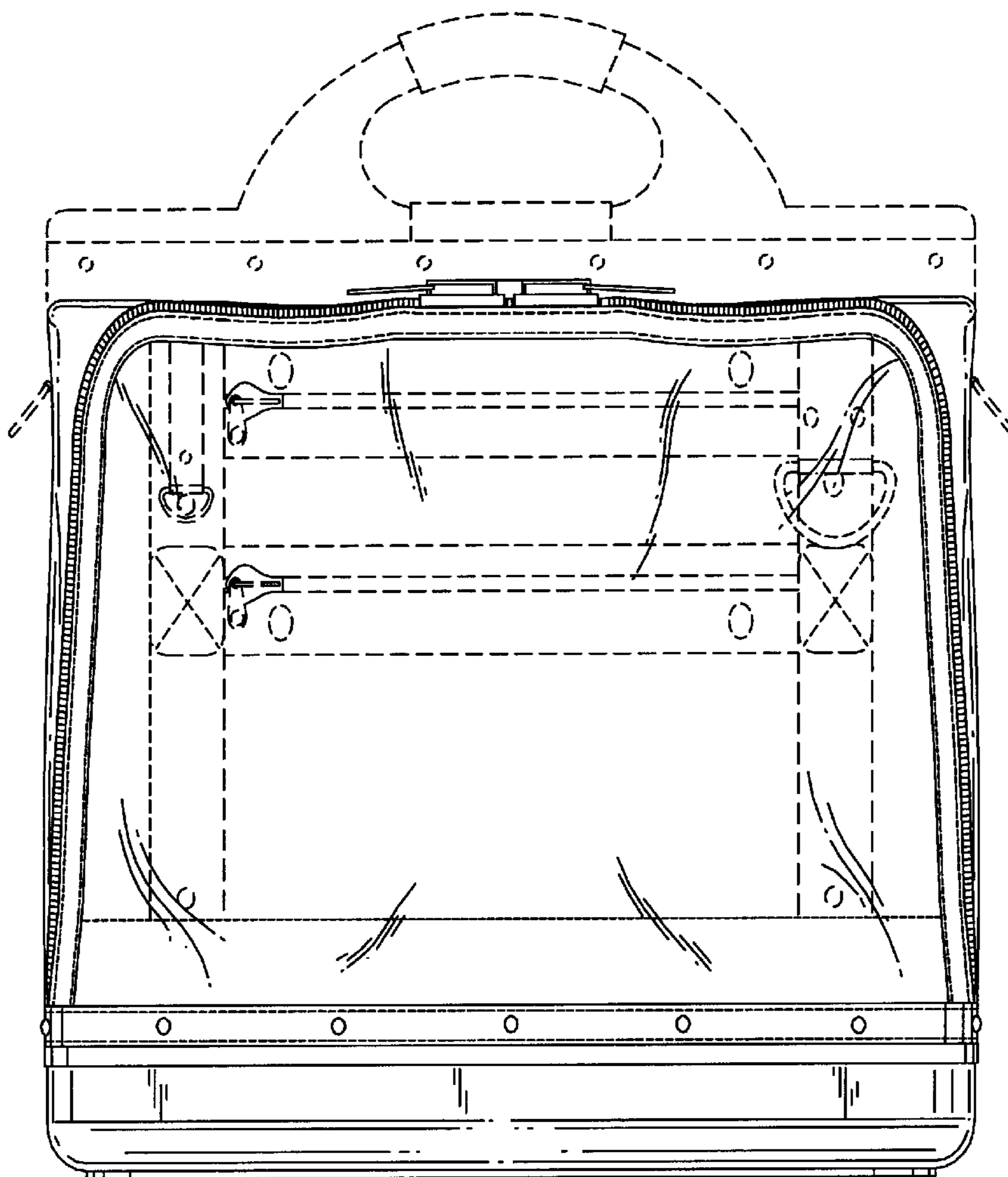


FIG. 3

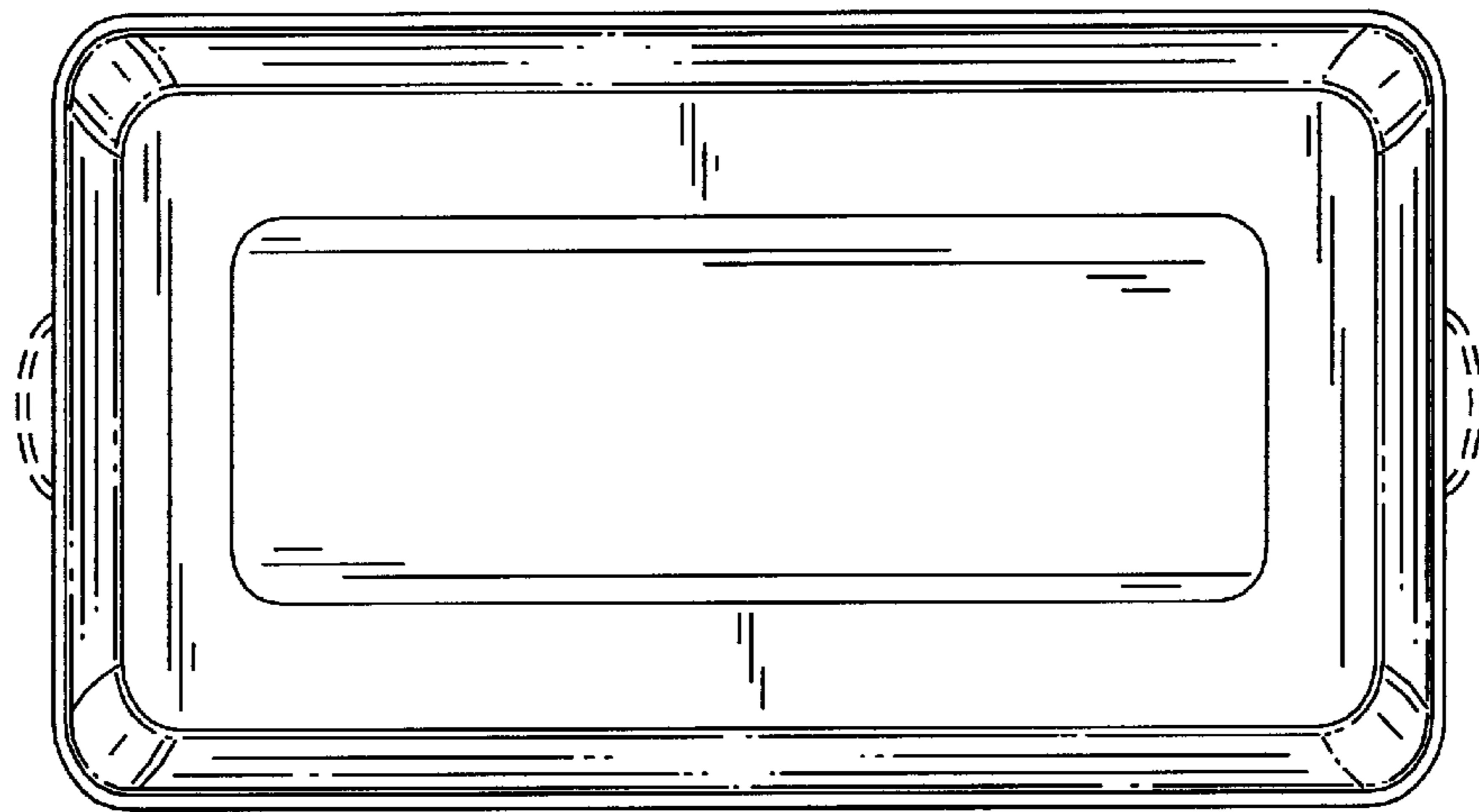


FIG. 4

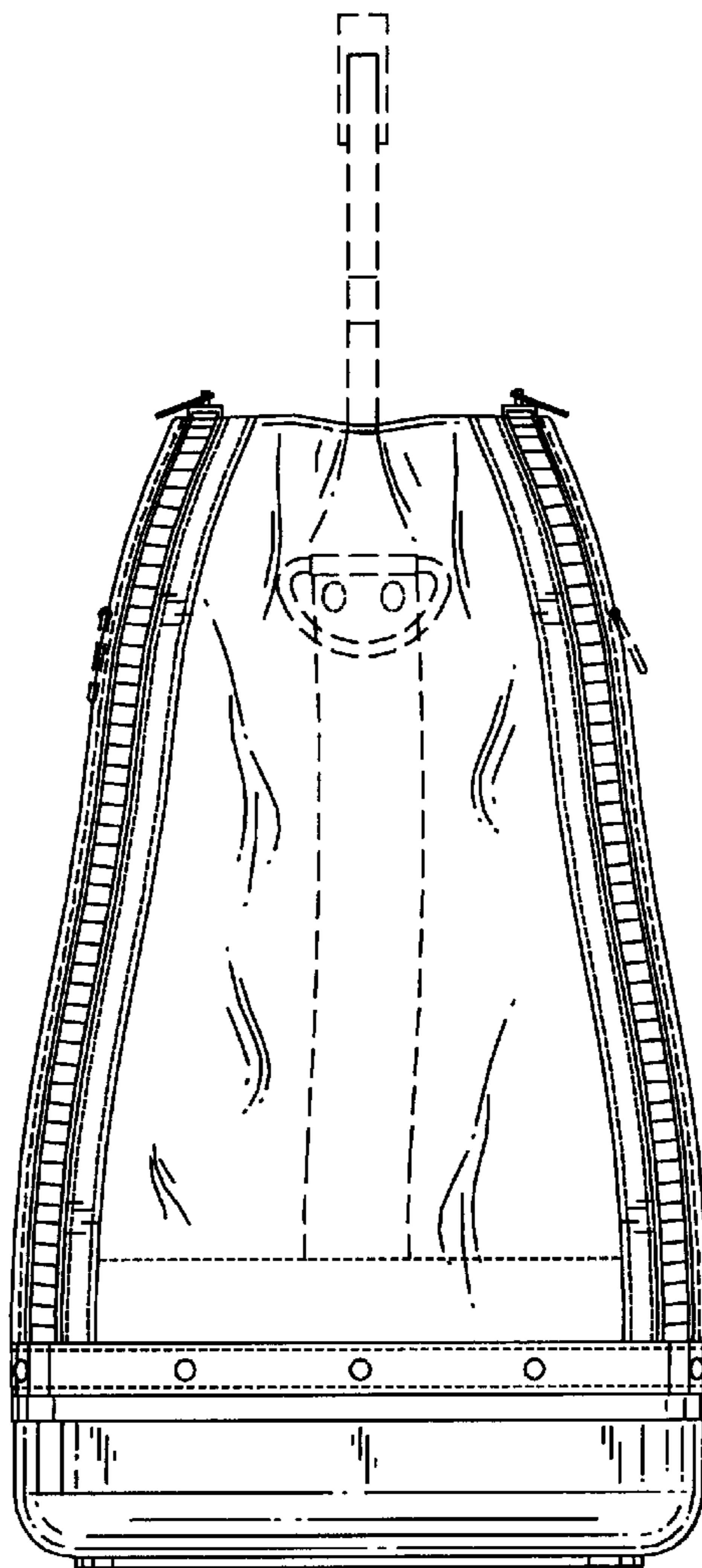


FIG. 5

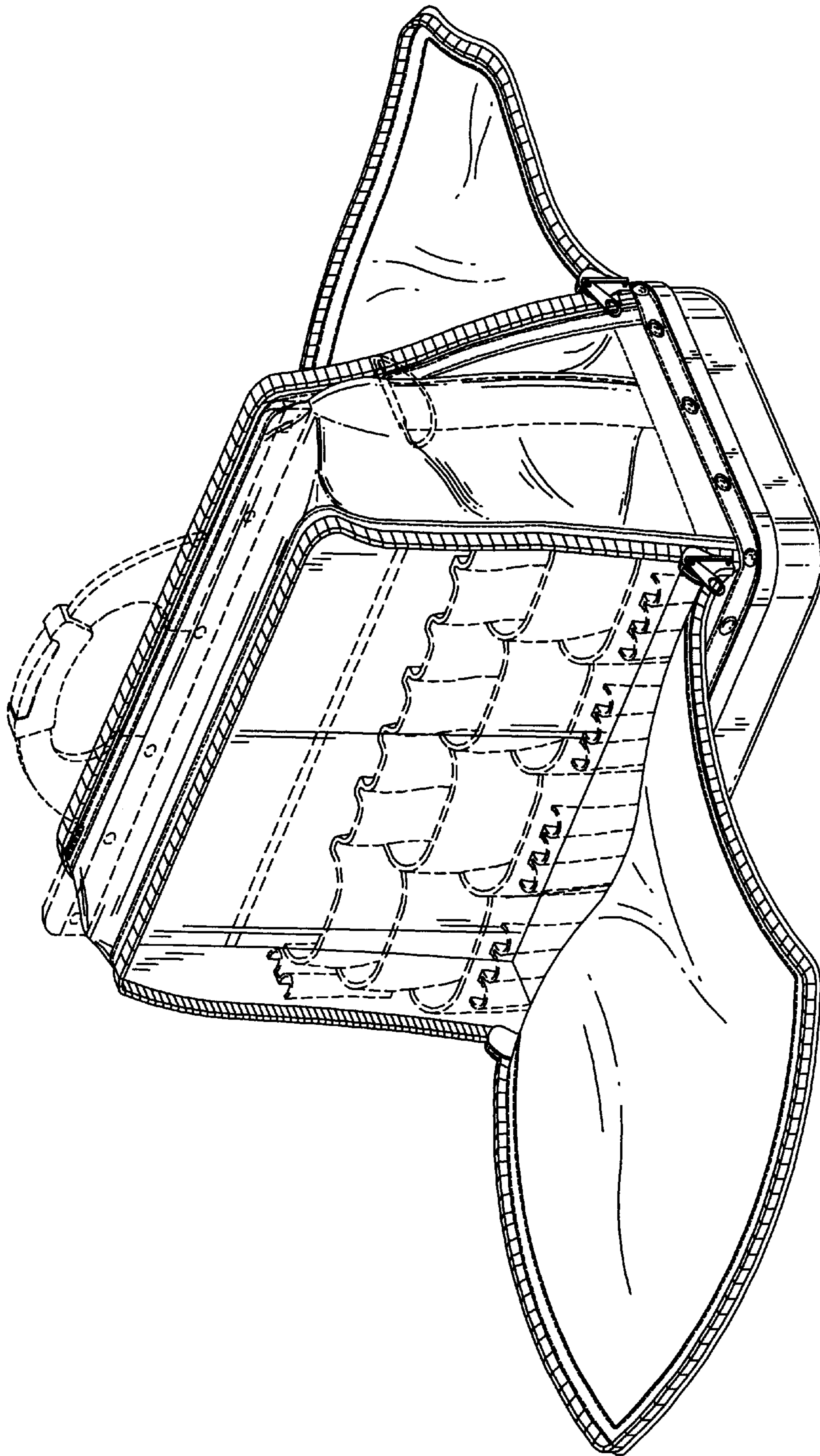


FIG. 6