



US00D487342S

(12) **United States Design Patent**
Yewdall et al.

(10) **Patent No.:** **US D487,342 S**

(45) **Date of Patent:** **** Mar. 9, 2004**

(54) **PHARMACEUTICAL PRODUCT CONTAINER**

D479,016 S * 8/2003 Sgariboldi D28/78

FOREIGN PATENT DOCUMENTS

(75) Inventors: **Gary Wayne Yewdall**, Geelong (AU);
Jillian Louise Isabel Mahon,
Northcote (AU); **Paul Murray Malouf**,
Airport West (AU); **Mark Simon**
Bayly, Eltham (AU); **Peter Kingsley**
Bayly, Euroa (AU)

WO WO 99/59647 11/1999

* cited by examiner

Primary Examiner—Catherine R. Oliver
(74) *Attorney, Agent, or Firm*—Knobbe, Martens, Olson &
Bear, LLP

(73) Assignee: **CSL Limited**, Parkville (AU)

(57) **CLAIM**

(**) Term: **14 Years**

The ornamental design for a pharmaceutical product container, as shown and described.

(21) Appl. No.: **29/173,535**

DESCRIPTION

(22) Filed: **Dec. 30, 2002**

(30) **Foreign Application Priority Data**

Jul. 1, 2002 (AU) 1949/02

(51) **LOC (7) Cl.** **03-01**

(52) **U.S. Cl.** **D3/203**

(58) **Field of Search** D3/203, 201, 205,
D3/283, 274; D9/341, 448, 347, 339, 416;
206/389, 390; D24/226; D19/67; D28/4,
5, 8, 9, 78, 79; 132/301

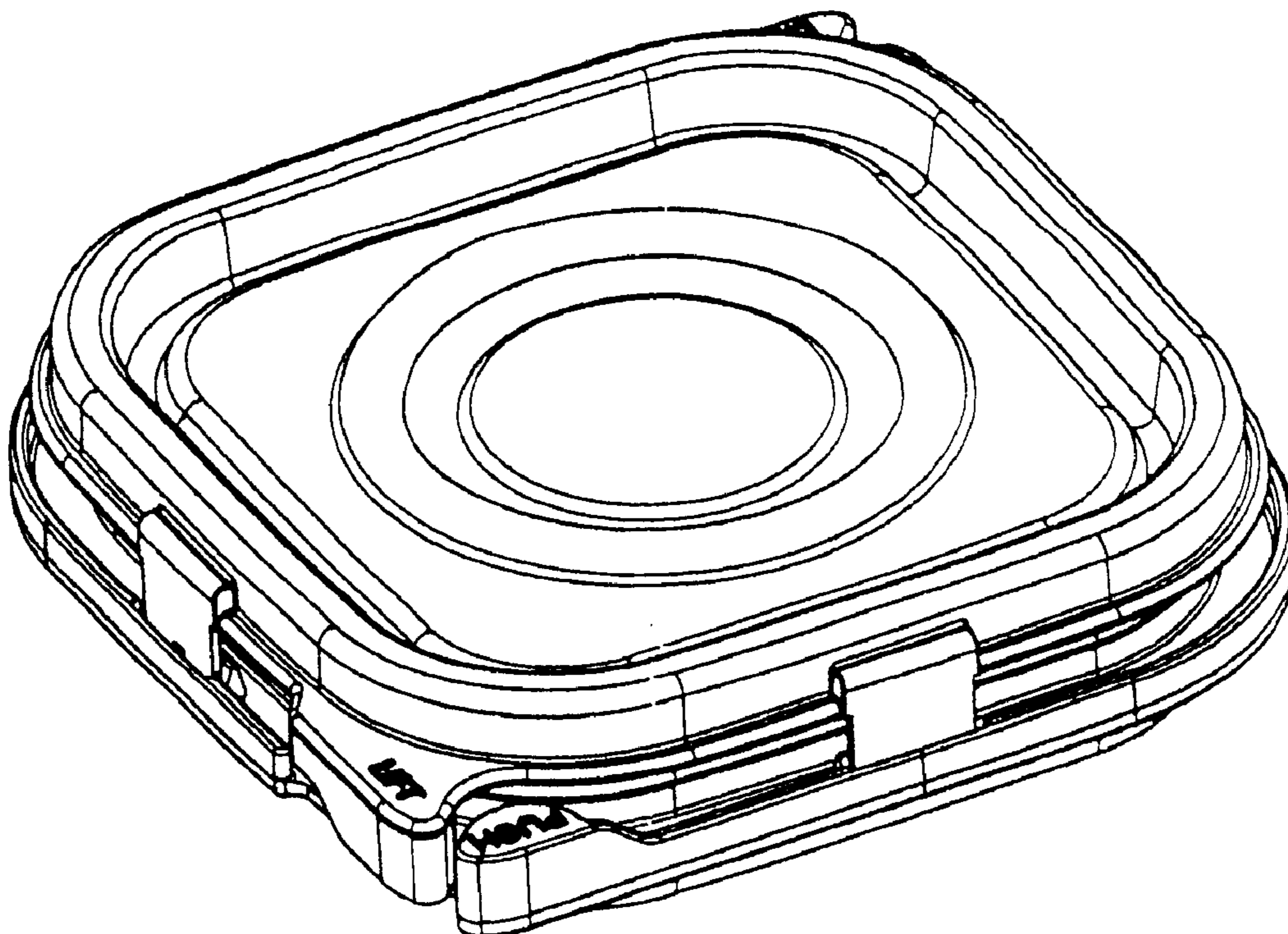
FIG. 1 is a top perspective view of a pharmaceutical product container showing our new design;
FIG. 2 is another top perspective view thereof;
FIG. 3 is a bottom perspective view thereof;
FIG. 4 is another bottom perspective view thereof;
FIG. 5 is a side elevational view thereof;
FIG. 6 is a perspective view with the top shown removed from the body of the container;
FIG. 7 is a bottom perspective view with the lid shown raised from the body of the container;
FIG. 8 is a top perspective view of the container lid;
FIG. 9 is a bottom perspective view of the container lid;
FIG. 10 is a top perspective view of the container body;
FIG. 11 is a perspective view of the container lid; and,
FIG. 12 is a bottom perspective view of the container body.

(56) **References Cited**

U.S. PATENT DOCUMENTS

D432,267 S * 10/2000 Wardlaw D28/78
D458,016 S * 6/2002 Christianson D3/203
D459,873 S * 7/2002 Stillwell et al. D3/203

1 Claim, 12 Drawing Sheets



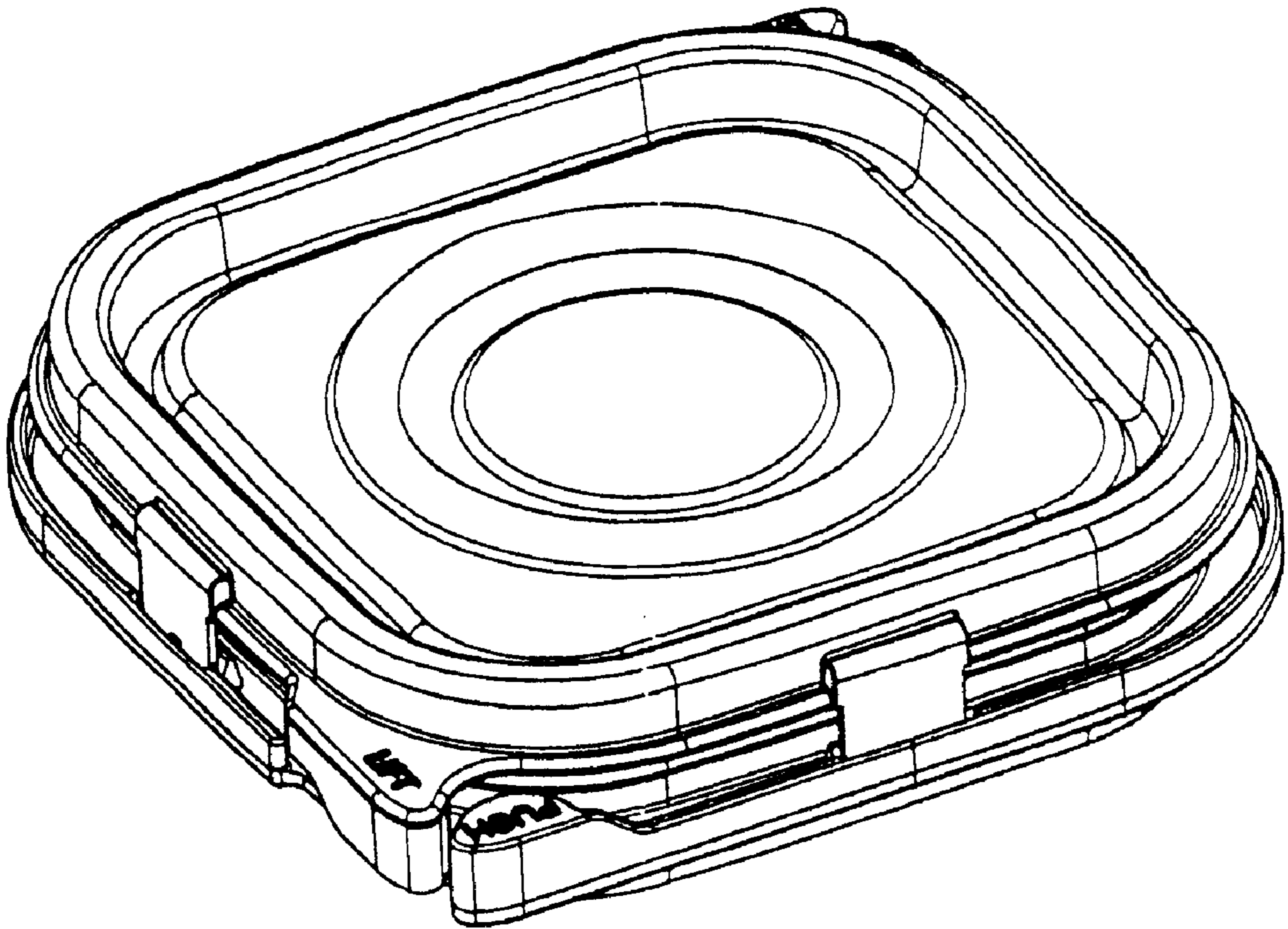


FIGURE 1

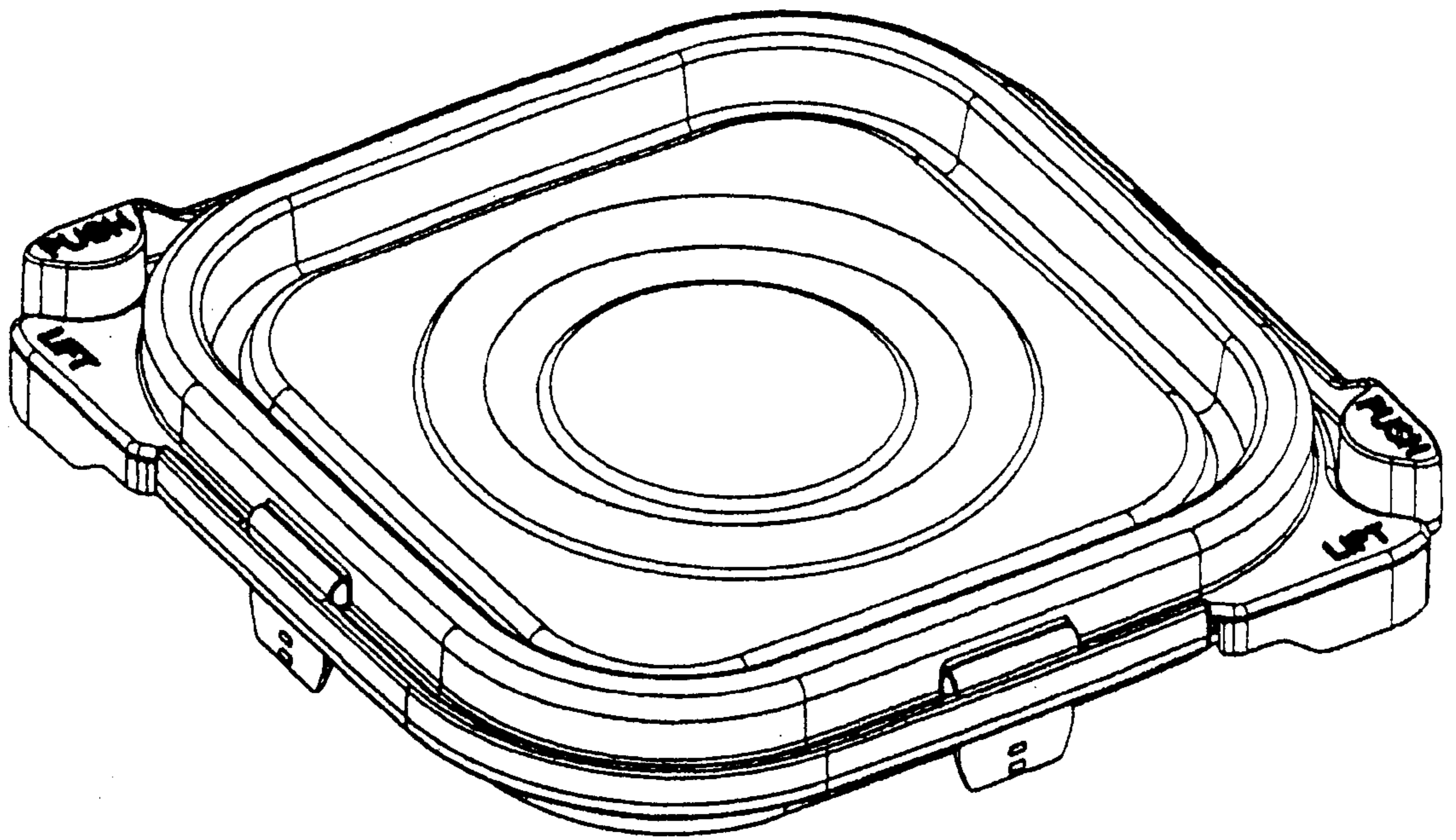


FIGURE 2

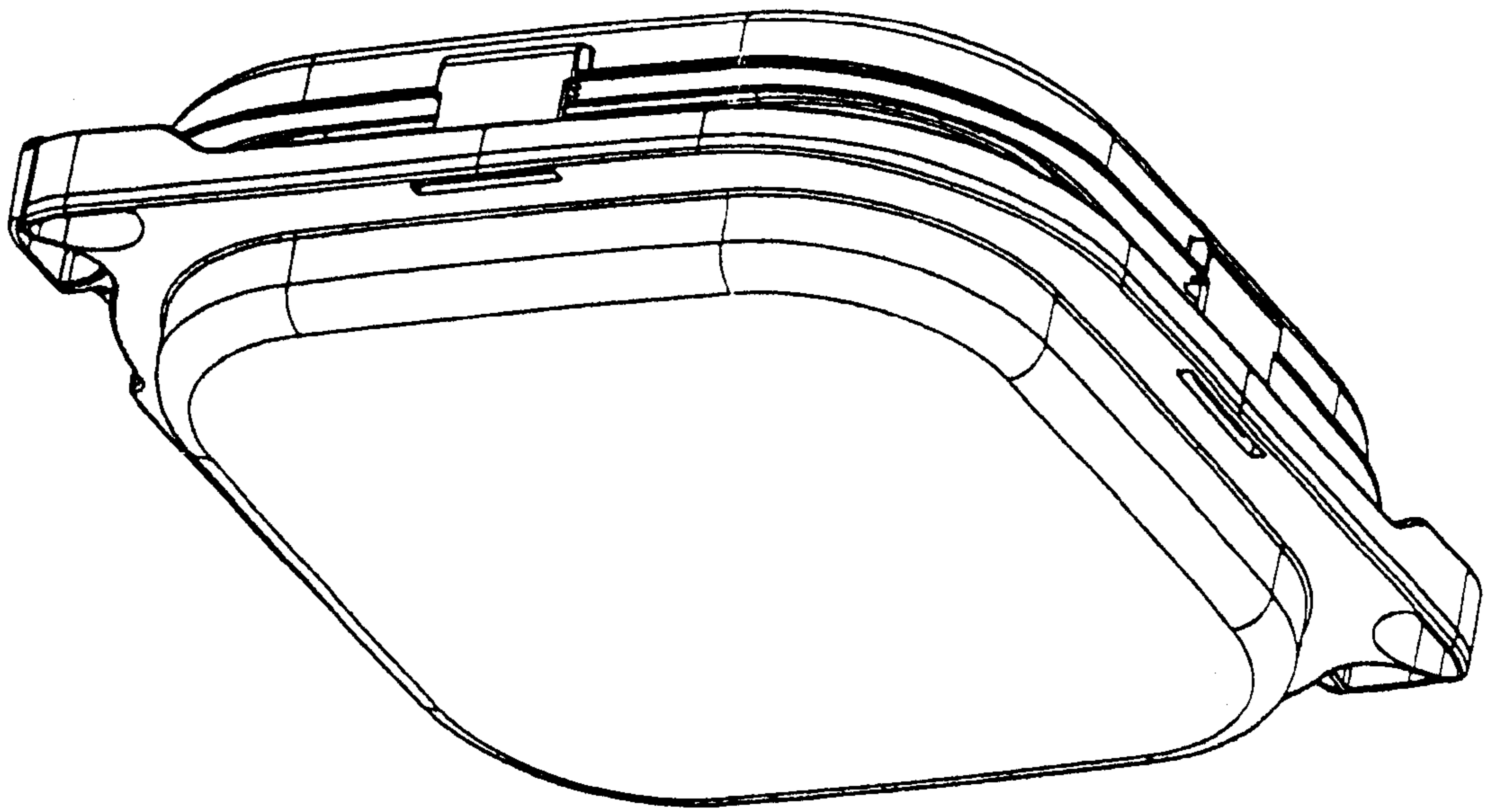


FIGURE 3

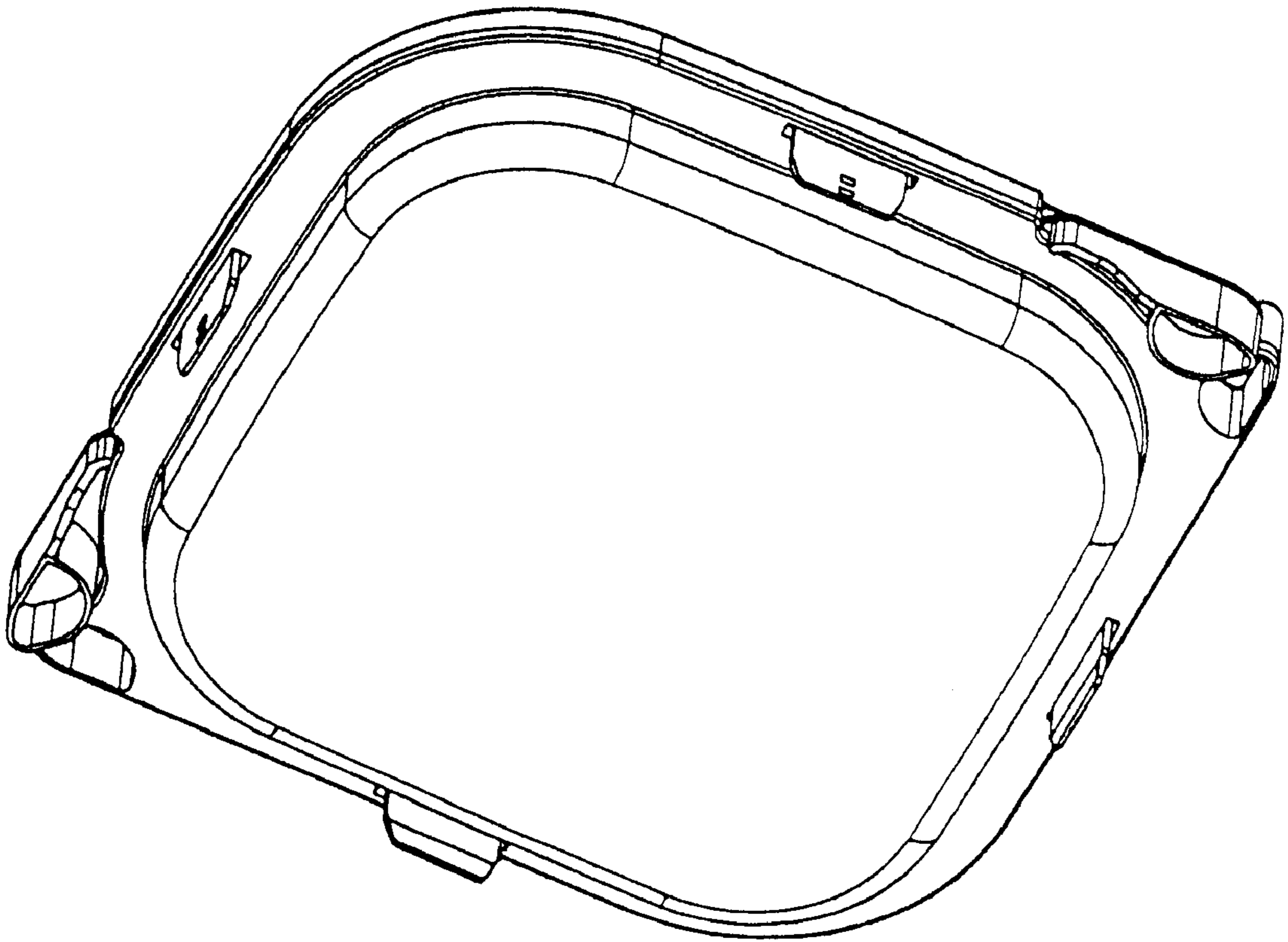


FIGURE 4

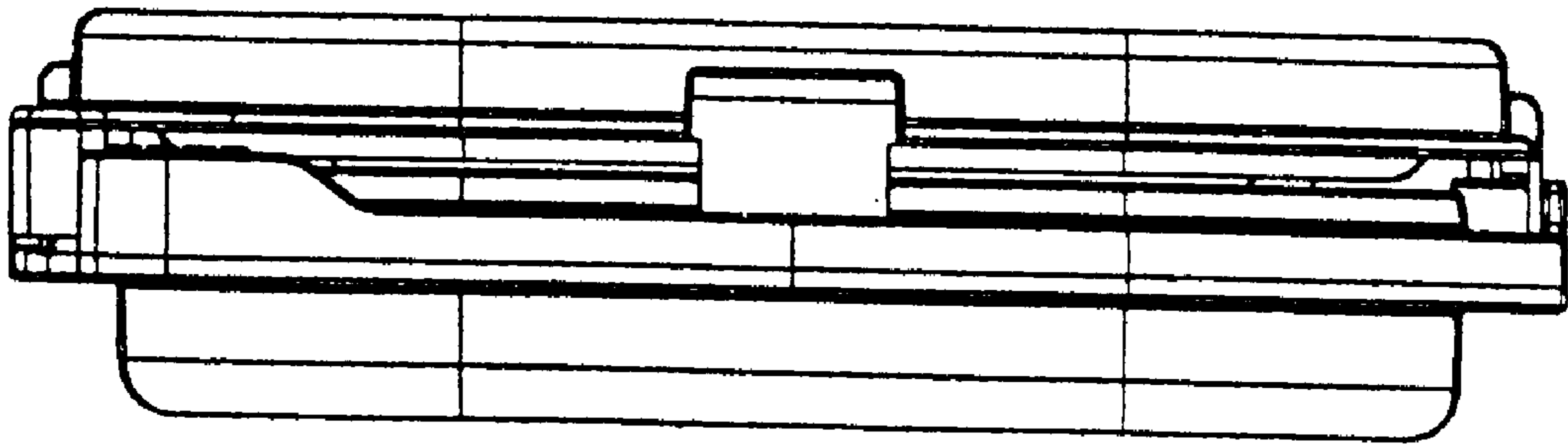


FIGURE 5

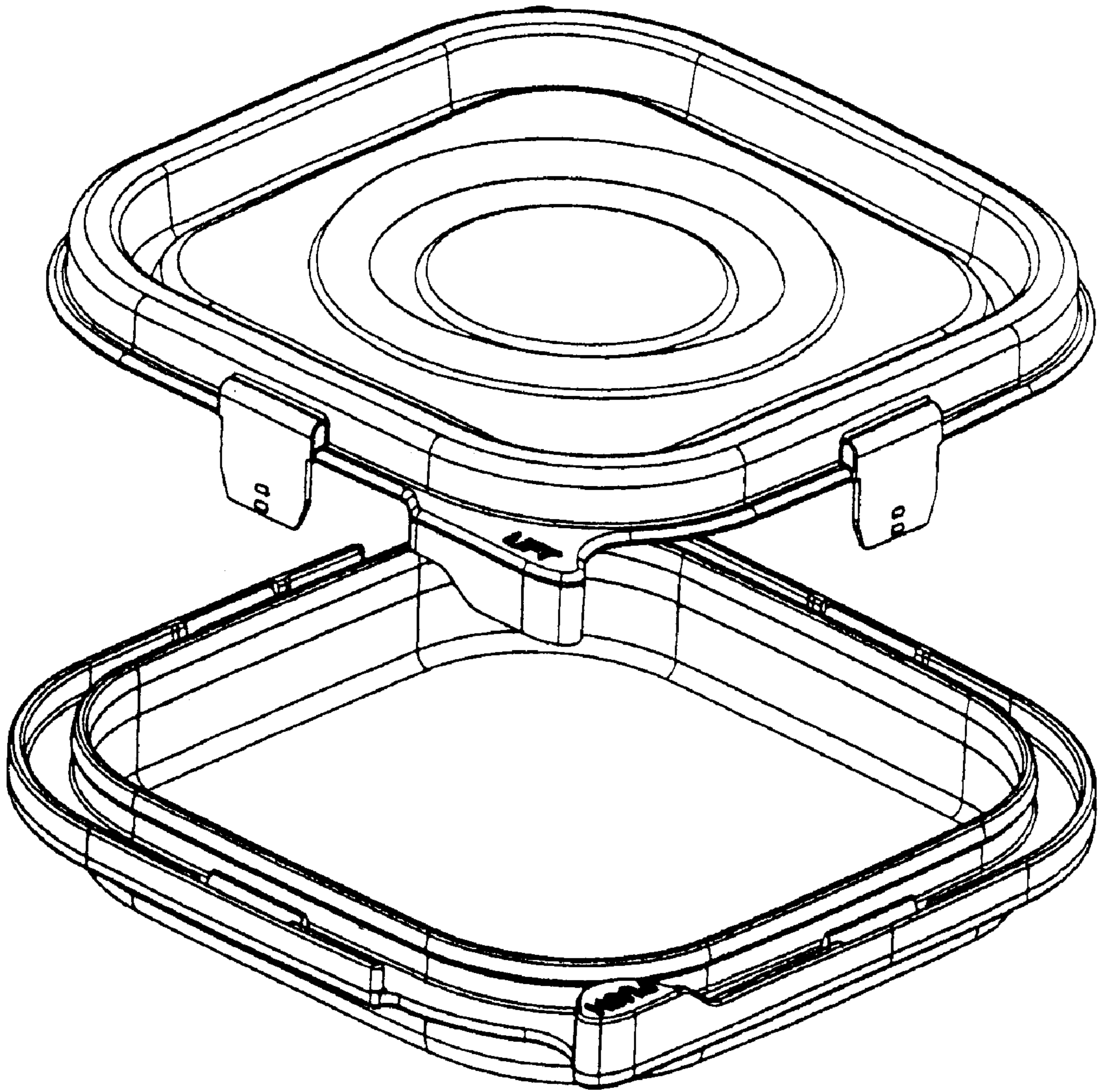


FIGURE 6

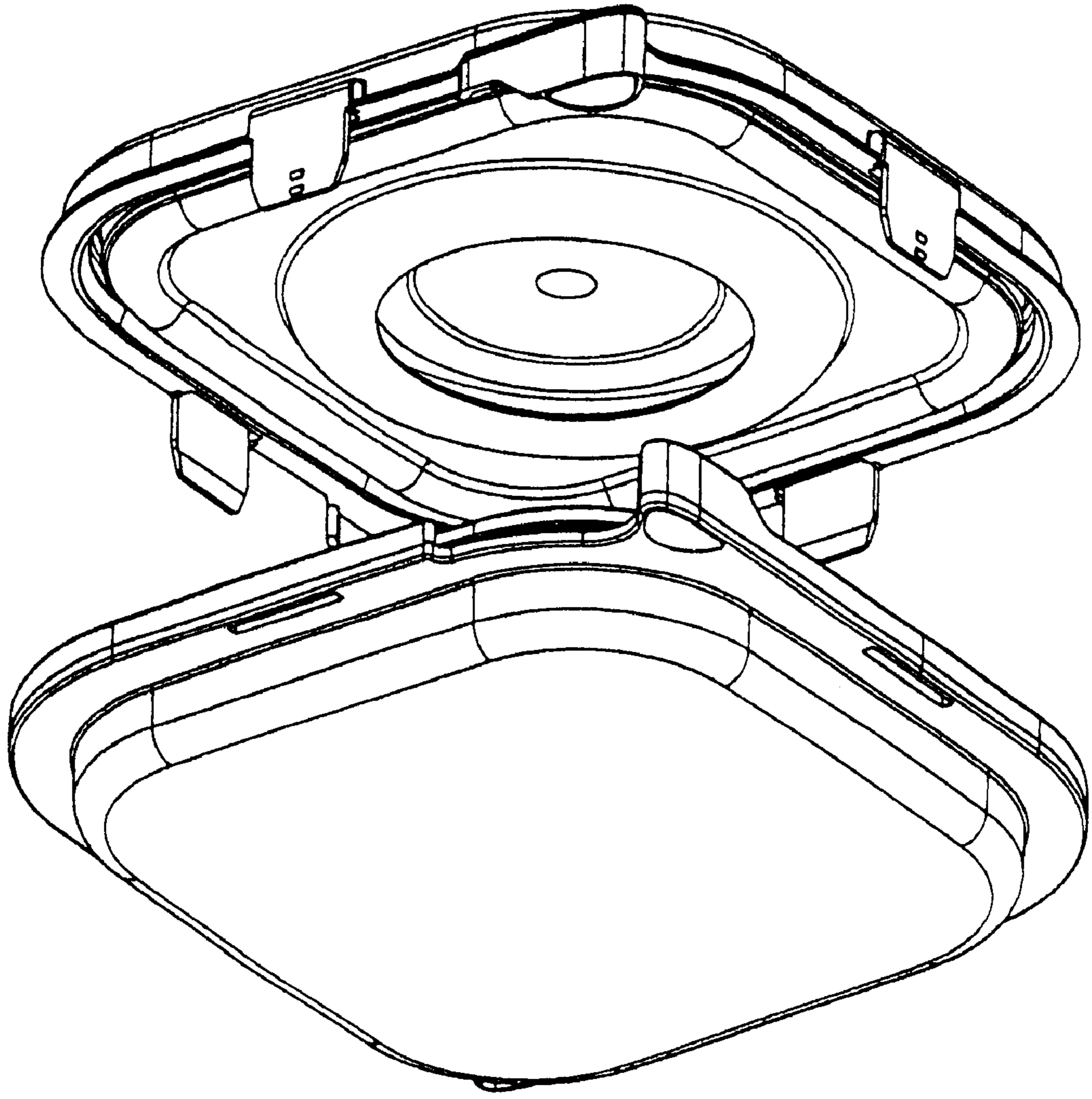


FIGURE 7

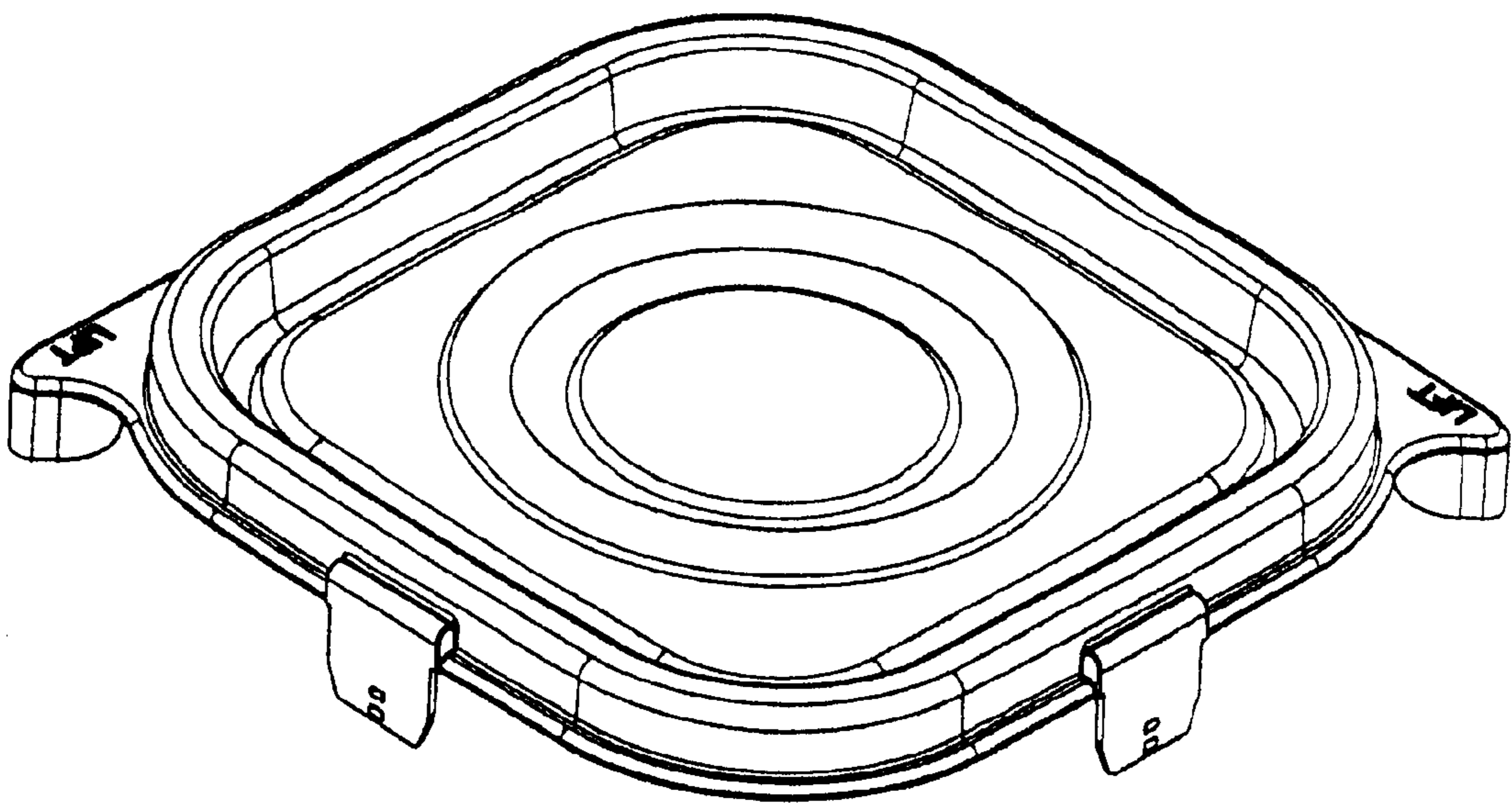


FIGURE 8

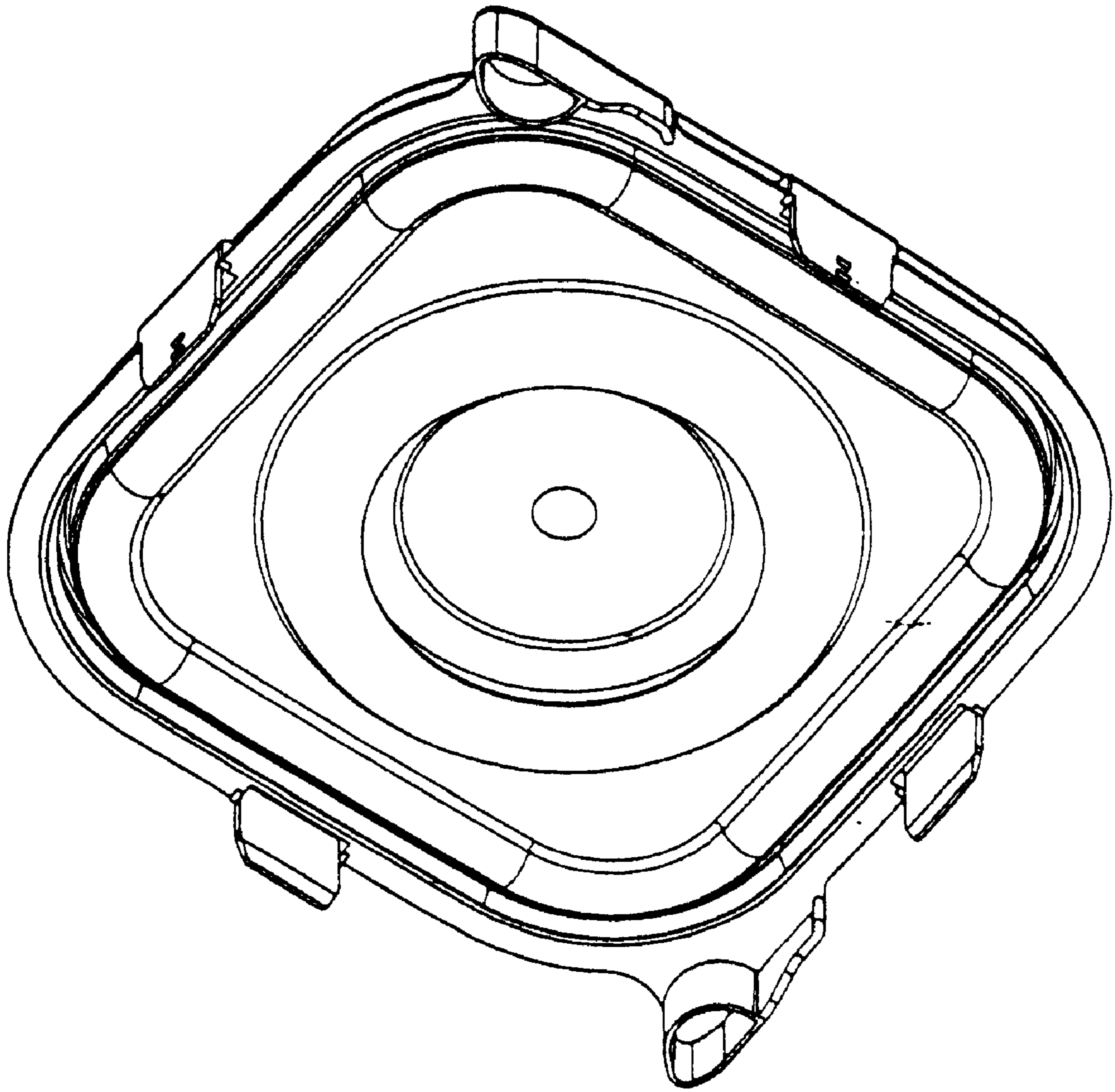


FIGURE 9

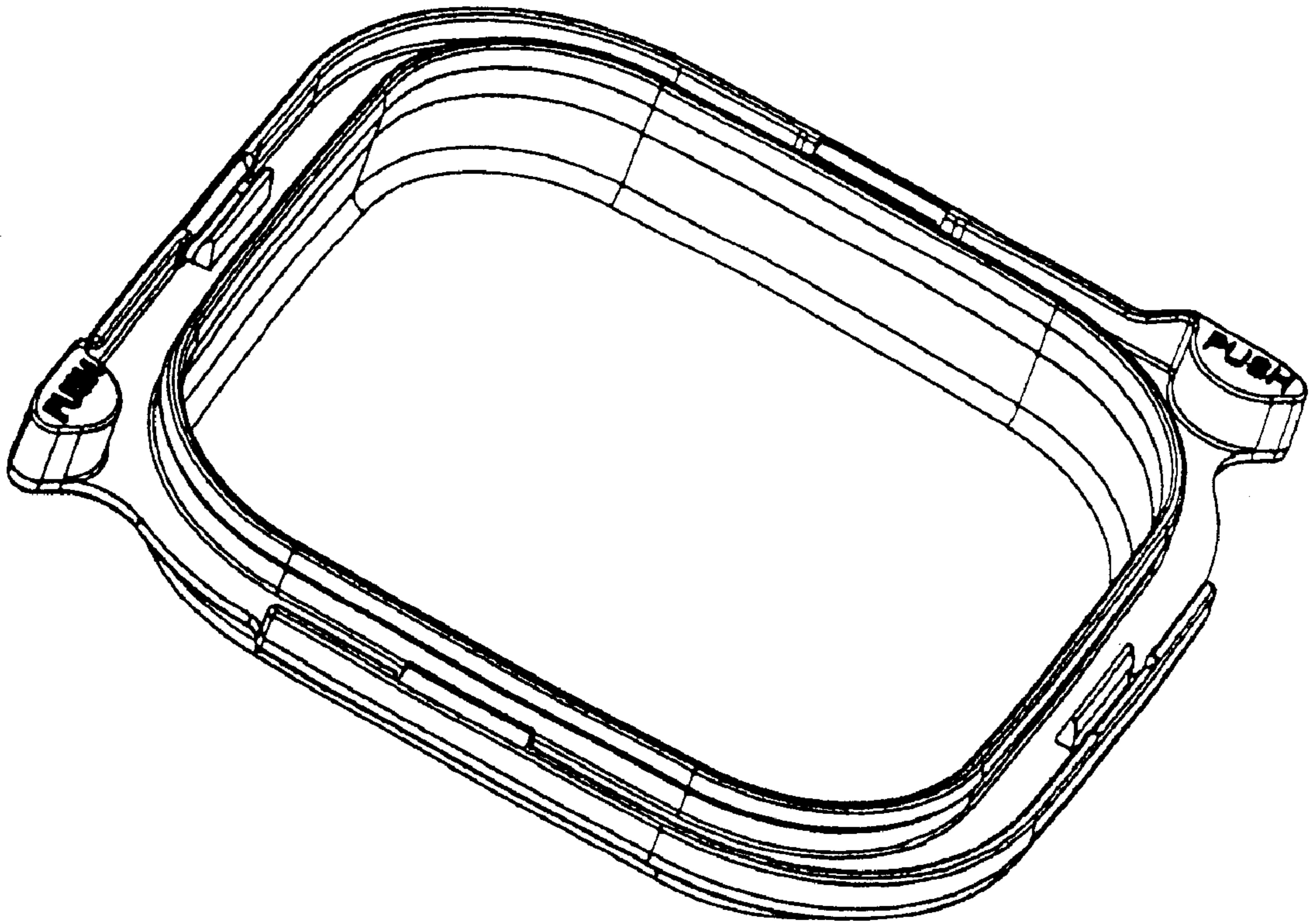


FIGURE 10

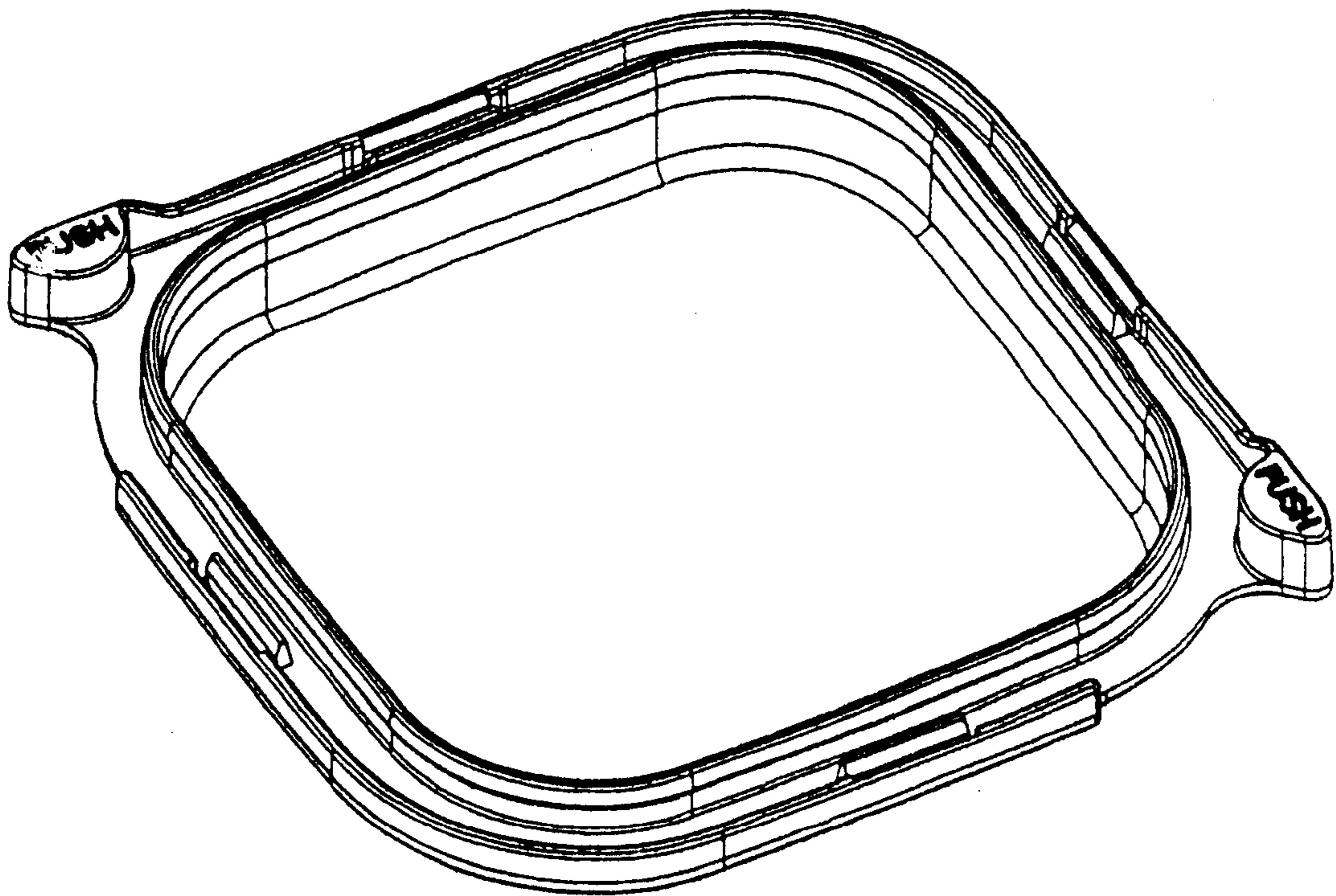


FIGURE 11

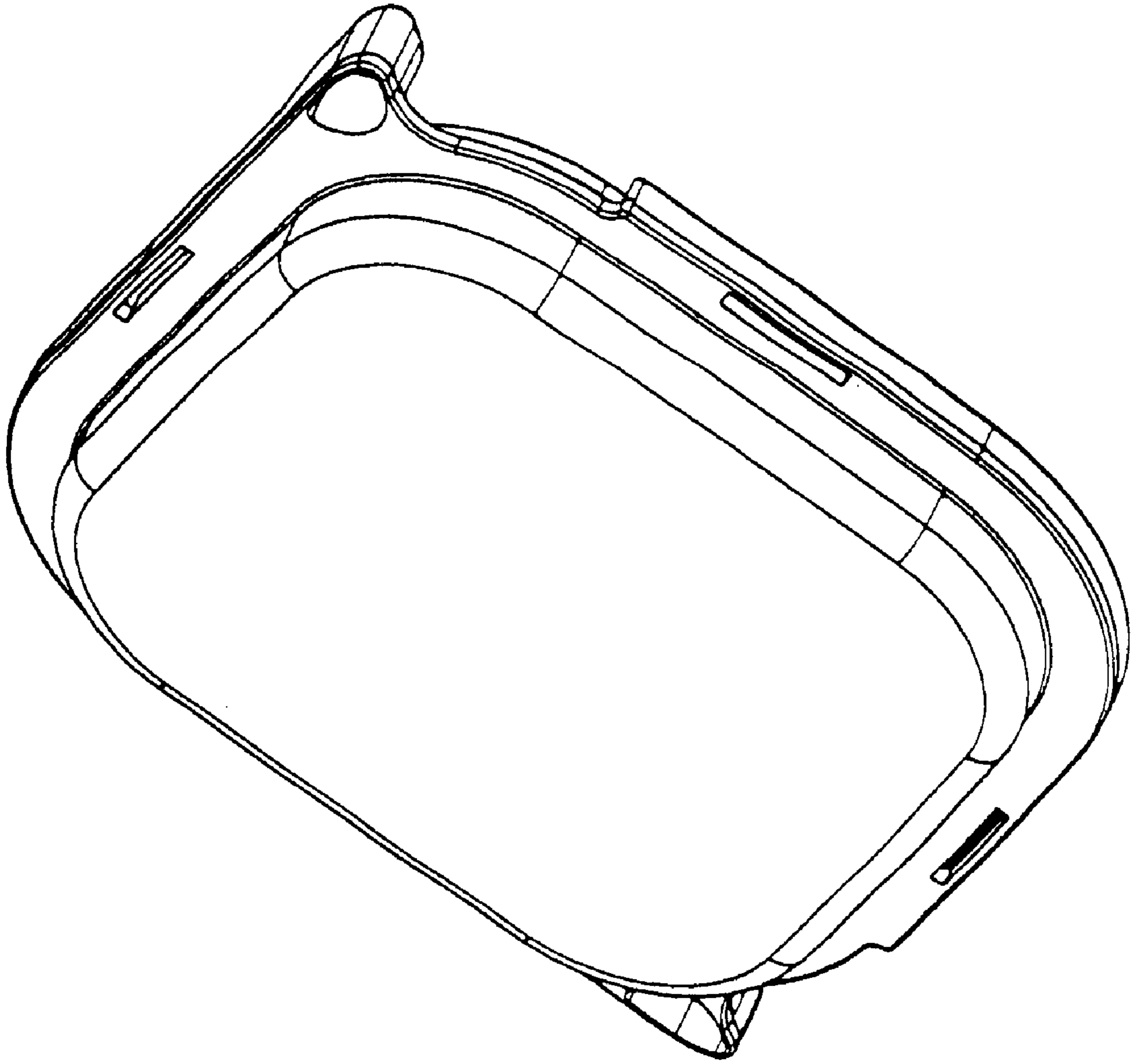


FIGURE 12