



US00D487328S

(12) **United States Design Patent**
Berman

(10) **Patent No.:** **US D487,328 S**

(45) **Date of Patent:** **** Mar. 9, 2004**

(54) **HAT WITH MOVABLE APPENDAGES**

(76) Inventor: **Robert Berman**, 1028 Rowand Ave.,
Glendora, NJ (US) 08029

(**) Term: **14 Years**

(21) Appl. No.: **29/163,747**

(22) Filed: **Jul. 12, 2002**

(51) **LOC (7) Cl.** **02-03**

(52) **U.S. Cl.** **D2/869**

(58) **Field of Search** D6/865, 866, 869,
D6/870, 872, 876, 878, 879, 882, 884,
893; 2/10, 12, 171, 181, 195.1, 195.2, 209.12,
209.13; D29/103, 104

(56) **References Cited**

U.S. PATENT DOCUMENTS

1,618,517 A	2/1927	Cureton	
D133,333 S	* 8/1942	Graham	D2/869
D169,971 S	* 7/1953	Geisel	D2/869
3,106,184 A	* 10/1963	Shea	2/209.13
4,268,918 A	5/1981	Lee	2/199
D283,268 S	* 4/1986	Rebiskie et al.	D29/103
4,832,647 A	5/1989	Perlman	446/27
D311,089 S	10/1990	Guevara	D2/248
5,682,615 A	* 11/1997	Wahl et al.	2/209.13

* cited by examiner

Primary Examiner—Doris V. Coles

Assistant Examiner—Mimosa De

(74) *Attorney, Agent, or Firm*—Synnestvedt & Lechner
LLP

(57) **CLAIM**

The ornamental design for a hat with movable appendages,
as shown and described.

DESCRIPTION

FIG. 1 is a front view of a first embodiment of my design for
a hat;

FIG. 2 is a top view of the hat shown in FIG. 1;

FIG. 3 is a left side view of the hat shown in FIG. 1;

FIG. 4 is a right side view of the hat shown in FIG. 1;

FIG. 5 is a rear view of the hat shown in FIG. 1;

FIG. 6 is a bottom view of the hat shown in FIG. 1;

FIG. 7 is a front view of a second embodiment of my design
for a hat;

FIG. 8 is a top view of the hat shown in FIG. 7;

FIG. 9 is a left side view of the hat shown in FIG. 7;

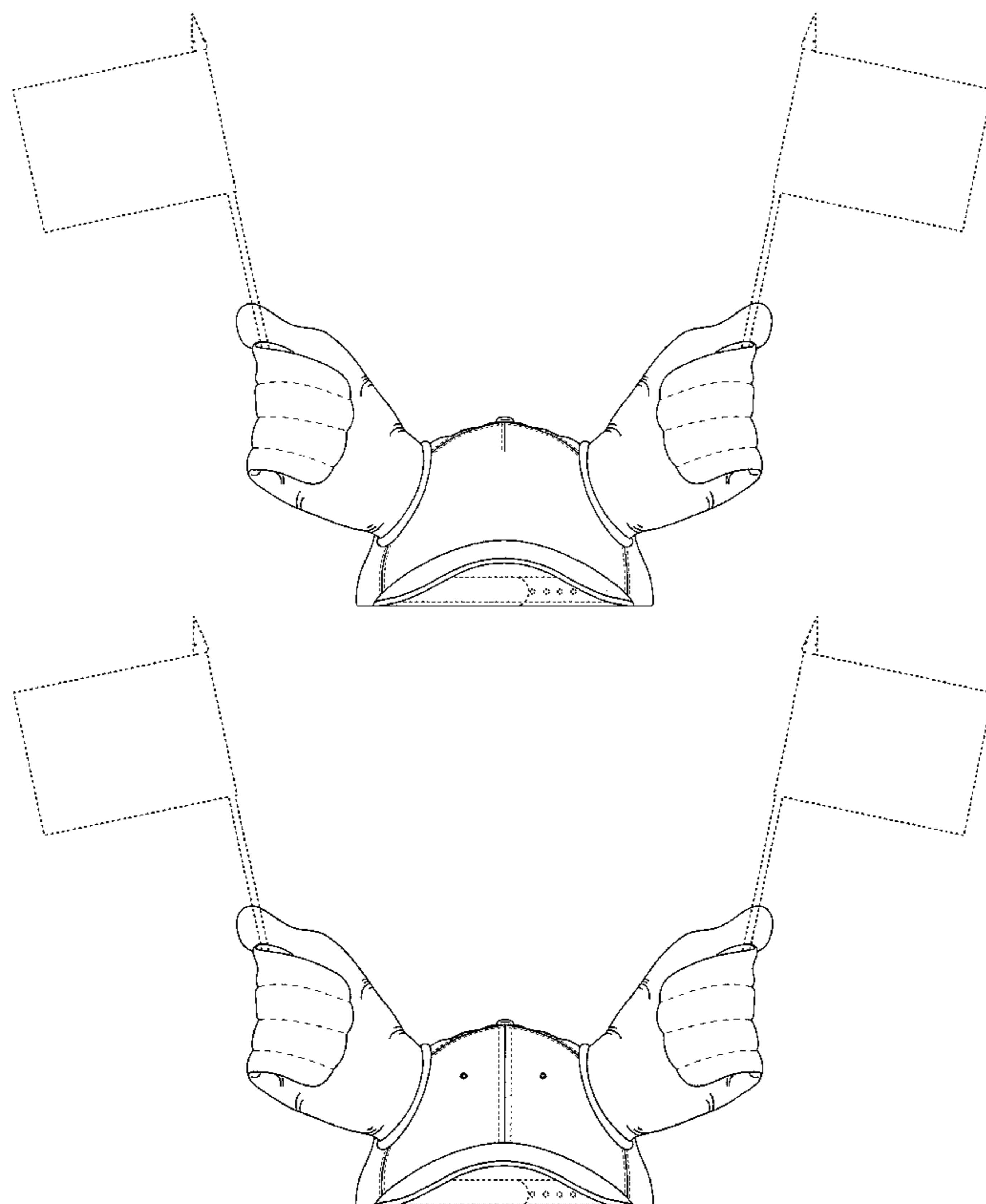
FIG. 10 is a right side view of the hat shown in FIG. 7;

FIG. 11 is a rear view of the hat shown in FIG. 7; and,

FIG. 12 is a bottom view of the hat shown in FIG. 7.

The broken lines in the various Figures are shown for
illustrative purposes only and form no part of the claimed
design.

1 Claim, 10 Drawing Sheets



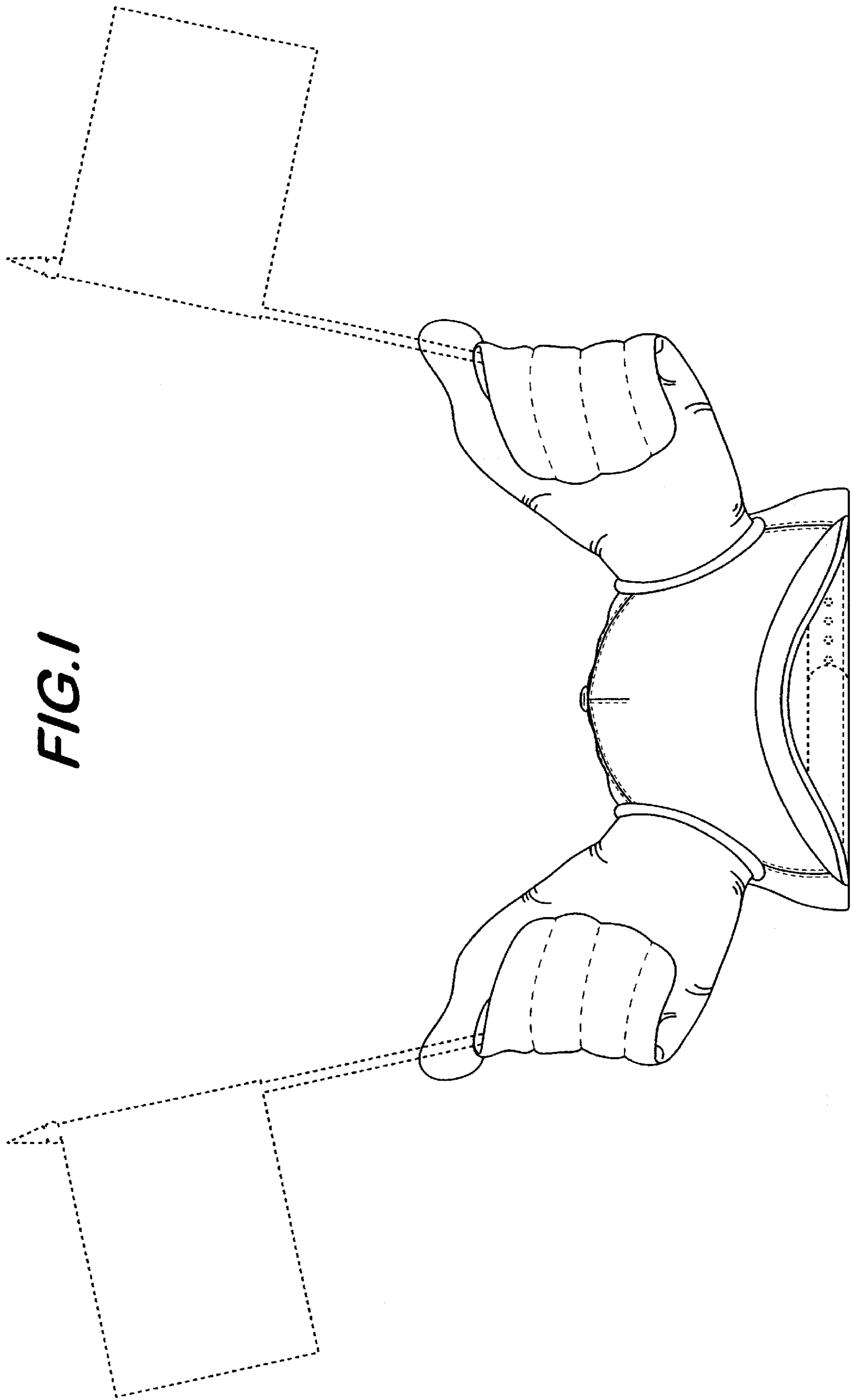


FIG. 1

FIG. 2

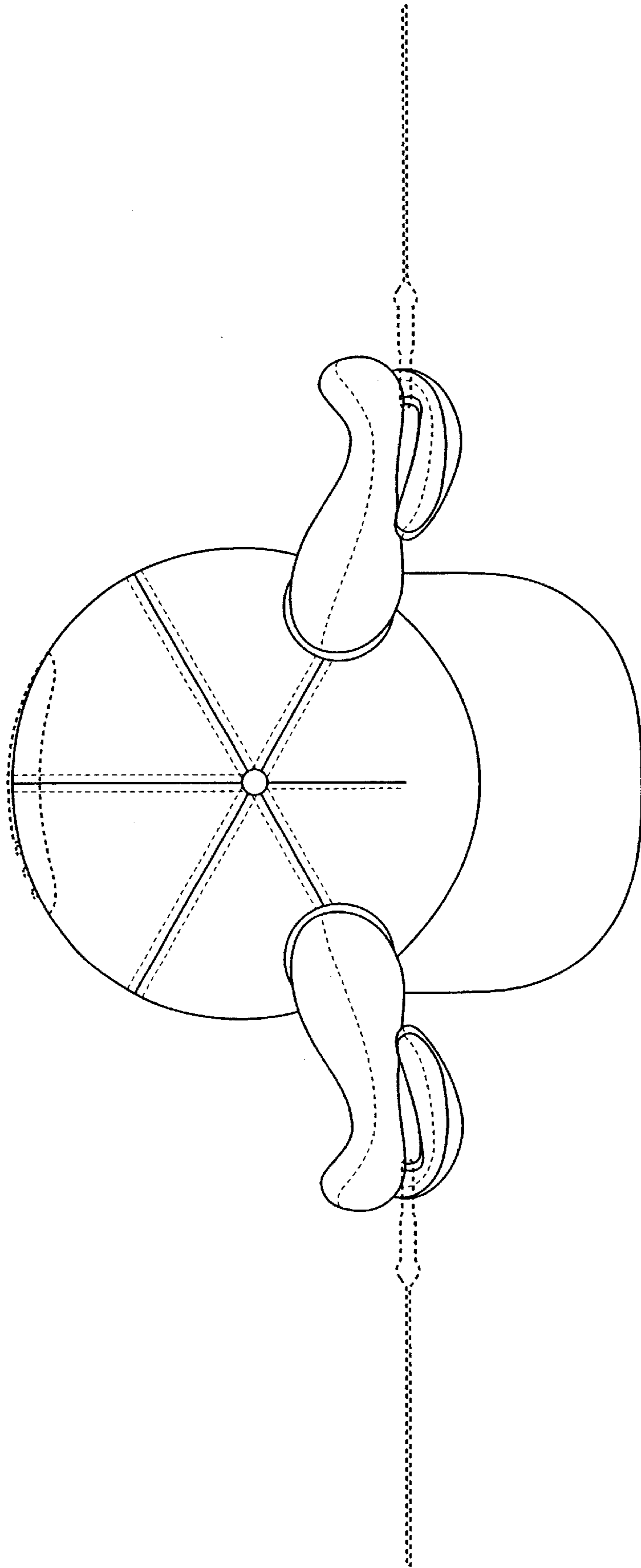


FIG. 3

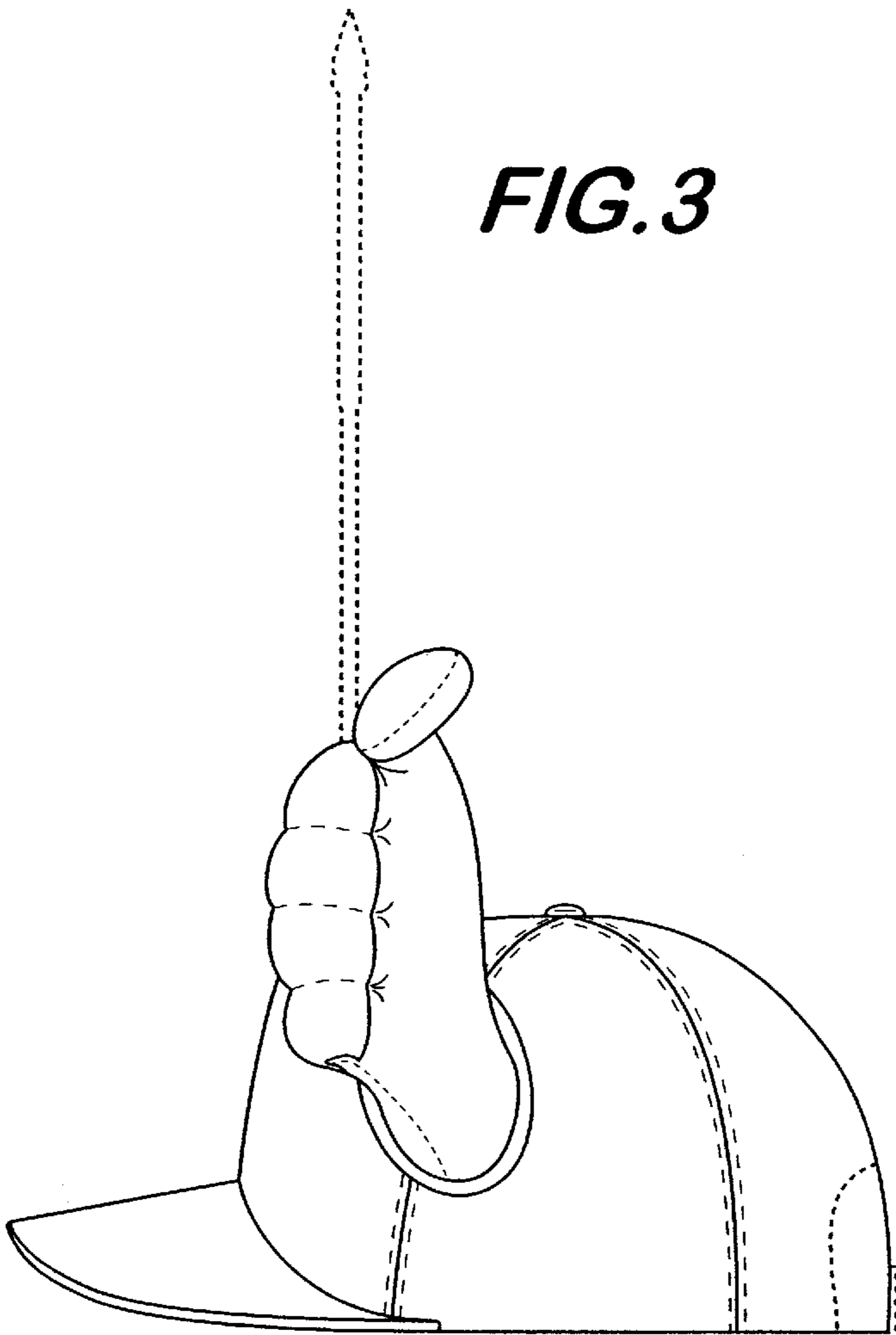
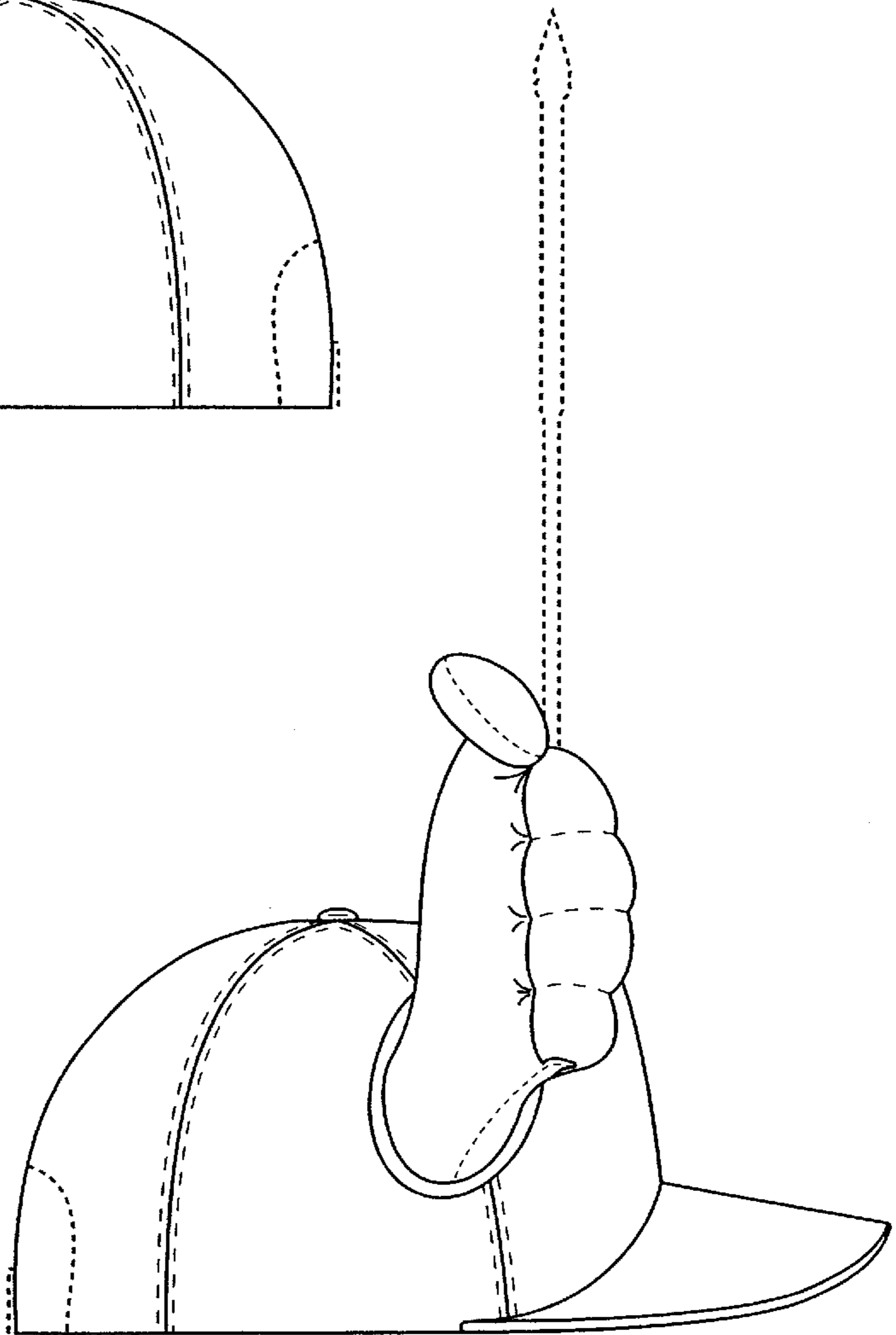


FIG. 4



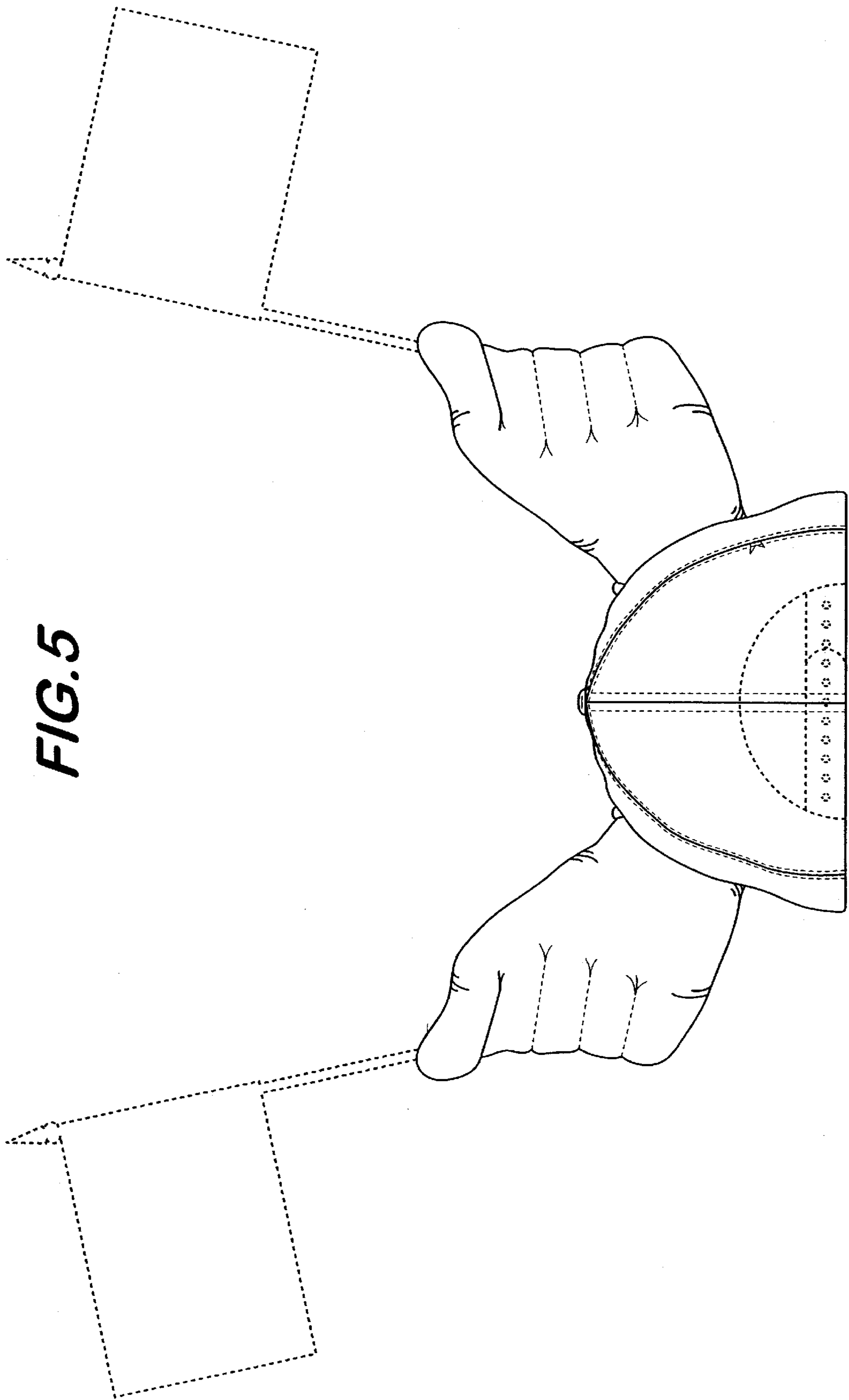
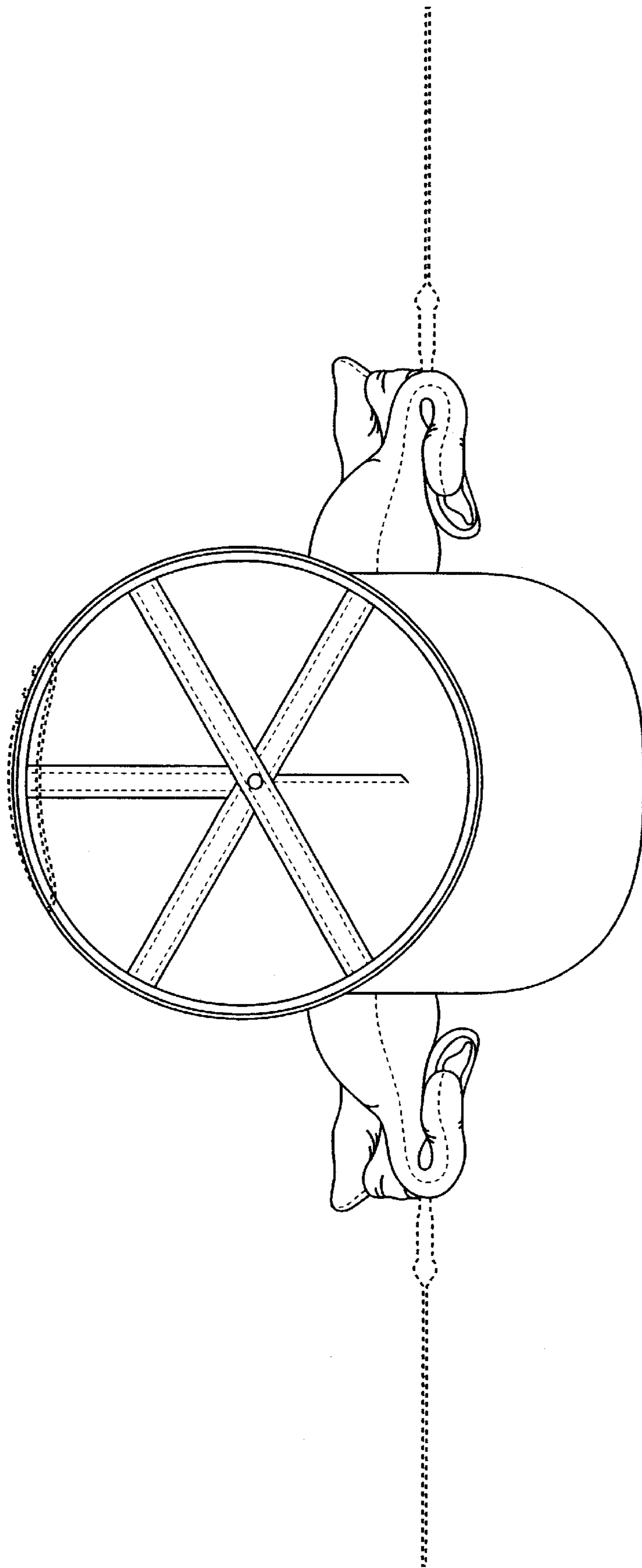


FIG. 5

FIG. 6



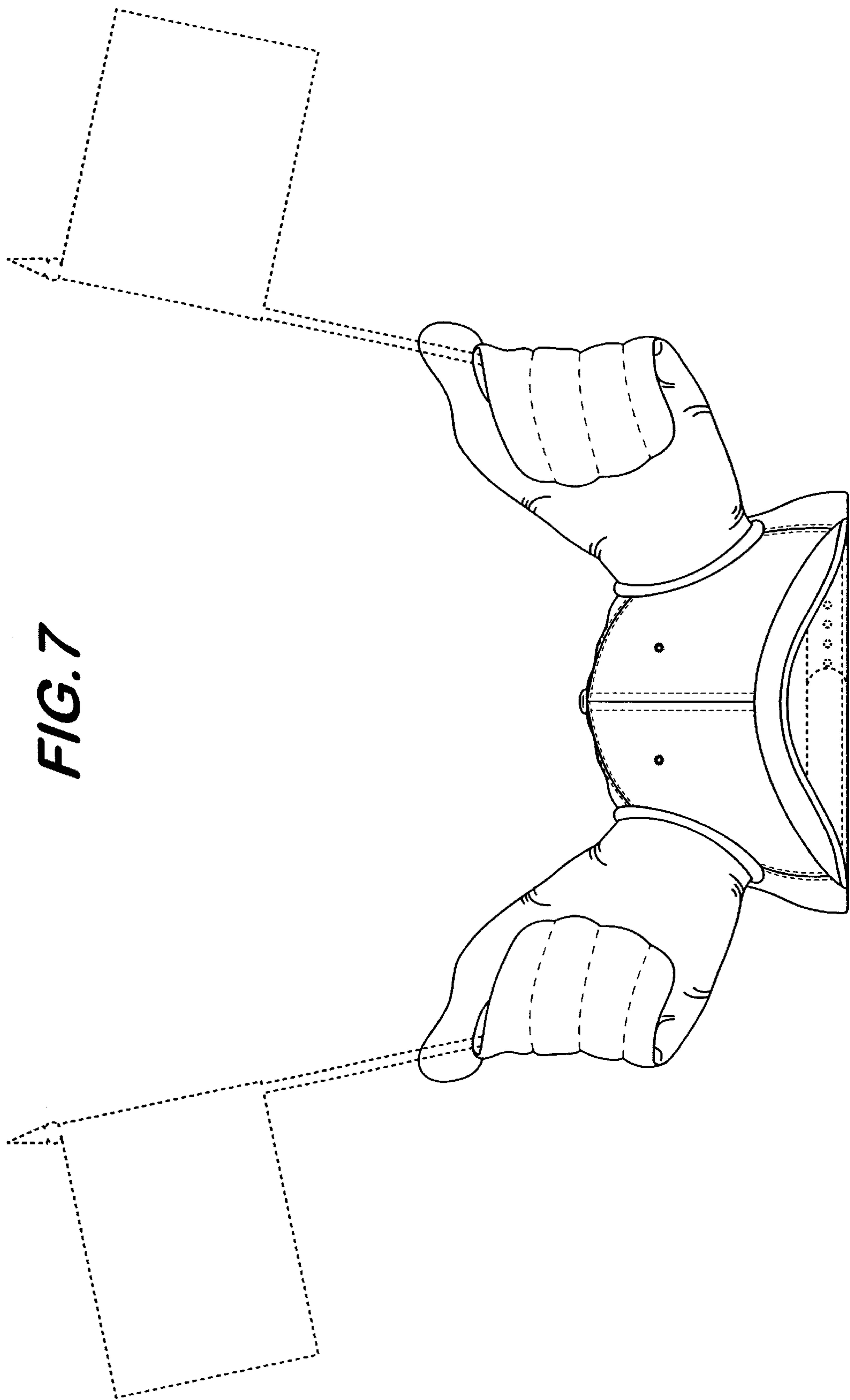


FIG. 7

FIG. 8

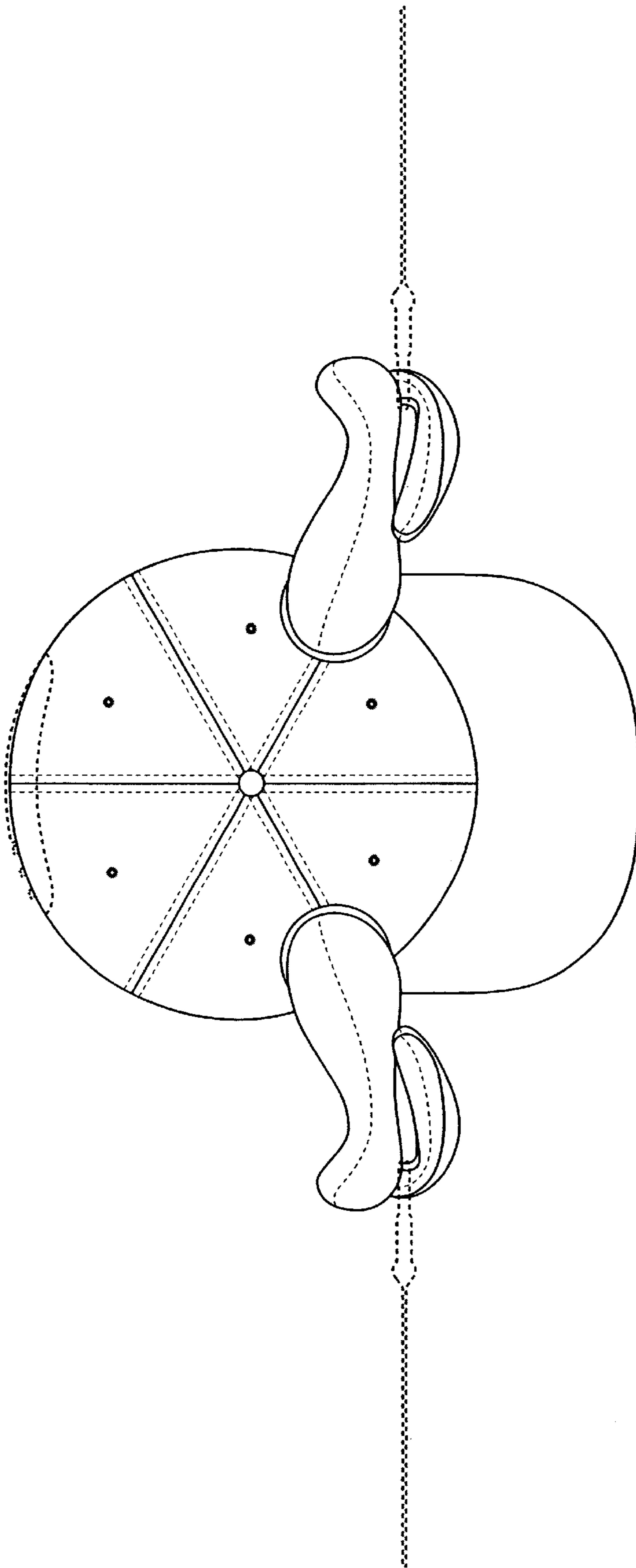


FIG. 9

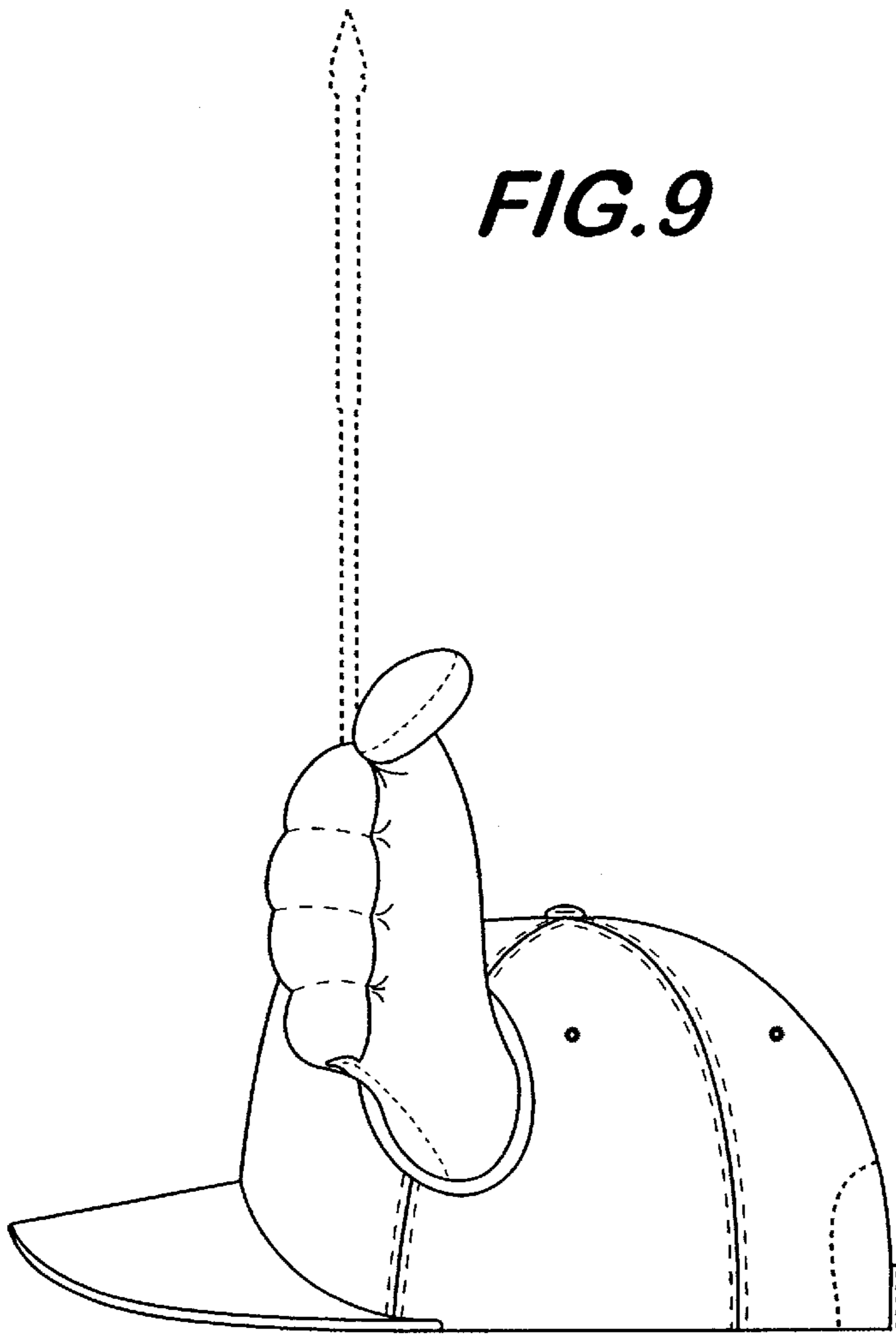
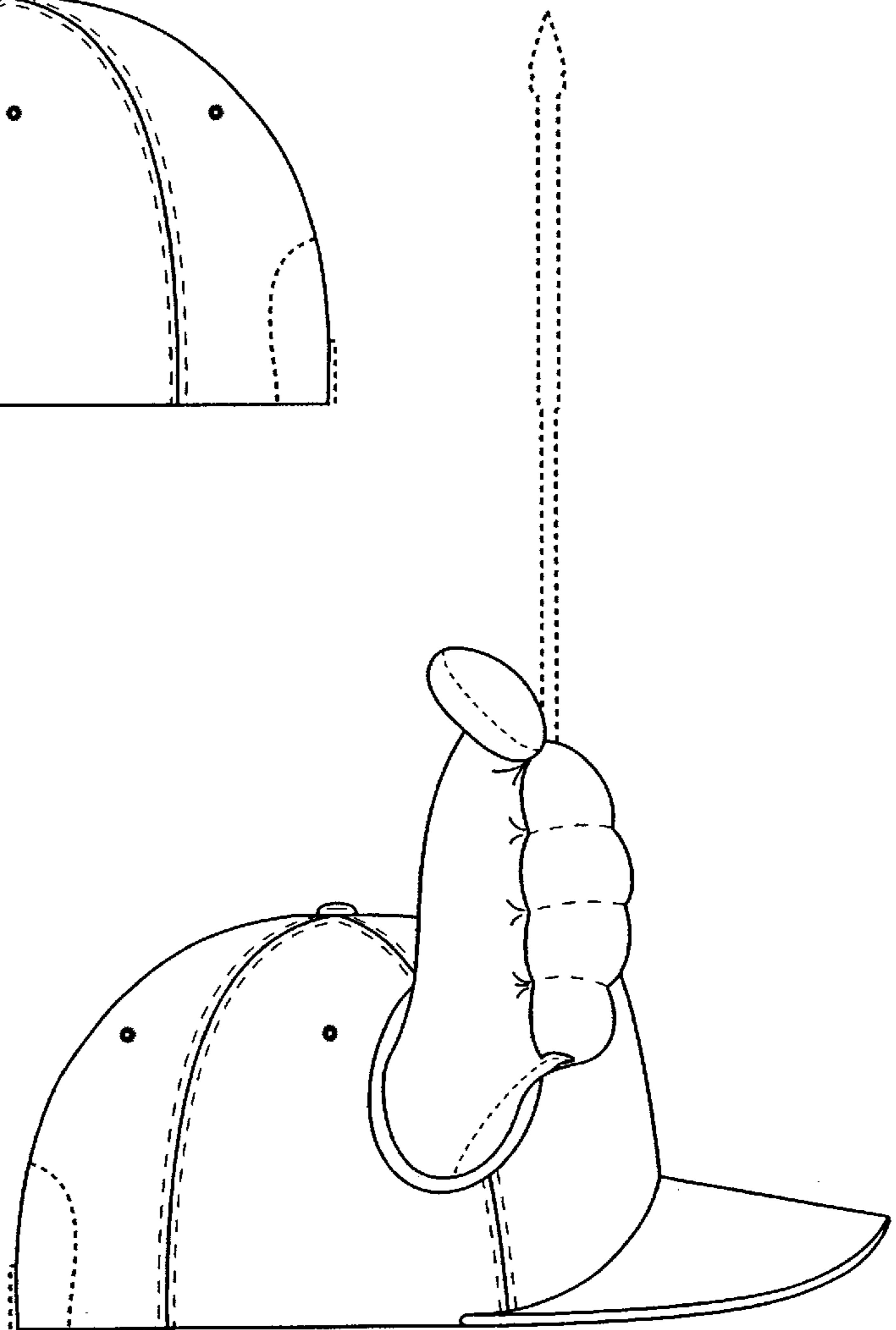


FIG. 10



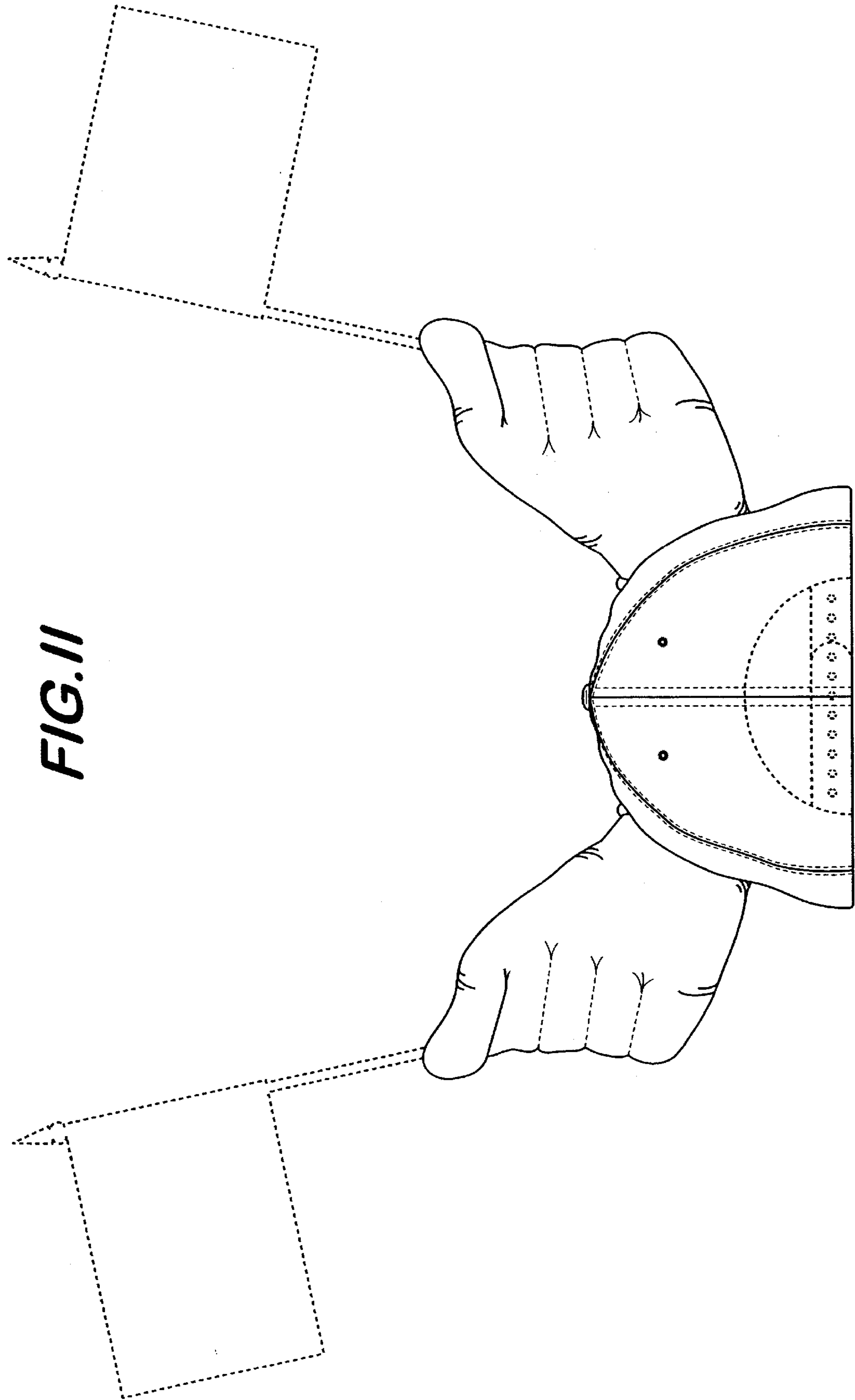


FIG. 11

FIG. 12

