



US00D487324S

(12) **United States Design Patent**
Santiago et al.

(10) **Patent No.:** **US D487,324 S**

(45) **Date of Patent:** **** Mar. 2, 2004**

(54) **FLOOR CLEANER**

(75) Inventors: **Carlito Santiago**, Grand Rapids, MI (US); **Kevin T. Downey**, Grand Rapids, MI (US); **Michael J. Bargiel**, Grand Rapids, MI (US)

(73) Assignee: **Bissell Homecare, Inc.**, Grand Rapids, MI (US)

(**) Term: **14 Years**

(21) Appl. No.: **29/173,807**

(22) Filed: **Jan. 7, 2003**

(51) **LOC (7) Cl.** **15-05**

(52) **U.S. Cl.** **D32/32**

(58) **Field of Search** D32/21, 22, 31-34, D32/15-16, 38-39; 15/363, 320, 366, 383, 353, 347, 350, 361, 410, 412, 415.1-422.1, 41.1; 55/DIG. 3, 337, 345

(56) **References Cited**

U.S. PATENT DOCUMENTS

D312,154 S	*	11/1990	Kuroda	D32/38
D317,067 S	*	5/1991	Kuroda	D32/38
5,020,186 A		6/1991	Lessig, III et al.		
D343,483 S		1/1994	Hoshino		
D349,793 S	*	8/1994	Zahuranec et al.	D32/38

D352,809 S		11/1994	Reath		
D371,875 S	*	7/1996	Parker et al.	D32/38
D375,820 S		11/1996	Piccaluga et al.		
5,632,060 A		5/1997	Steinberg et al.		
D380,882 S		7/1997	Rorke et al.		
D391,708 S	*	3/1998	Canavan	D32/38
D392,430 S		3/1998	Piccaluga et al.		
D398,097 S		9/1998	Murphy et al.		
D426,356 S		6/2000	Tsuruha		
D444,277 S		6/2001	Santiago		
6,442,792 B1		9/2002	Sudou et al.		

* cited by examiner

Primary Examiner—Ruth McInroy

(74) *Attorney, Agent, or Firm*—McGarry Bair PC

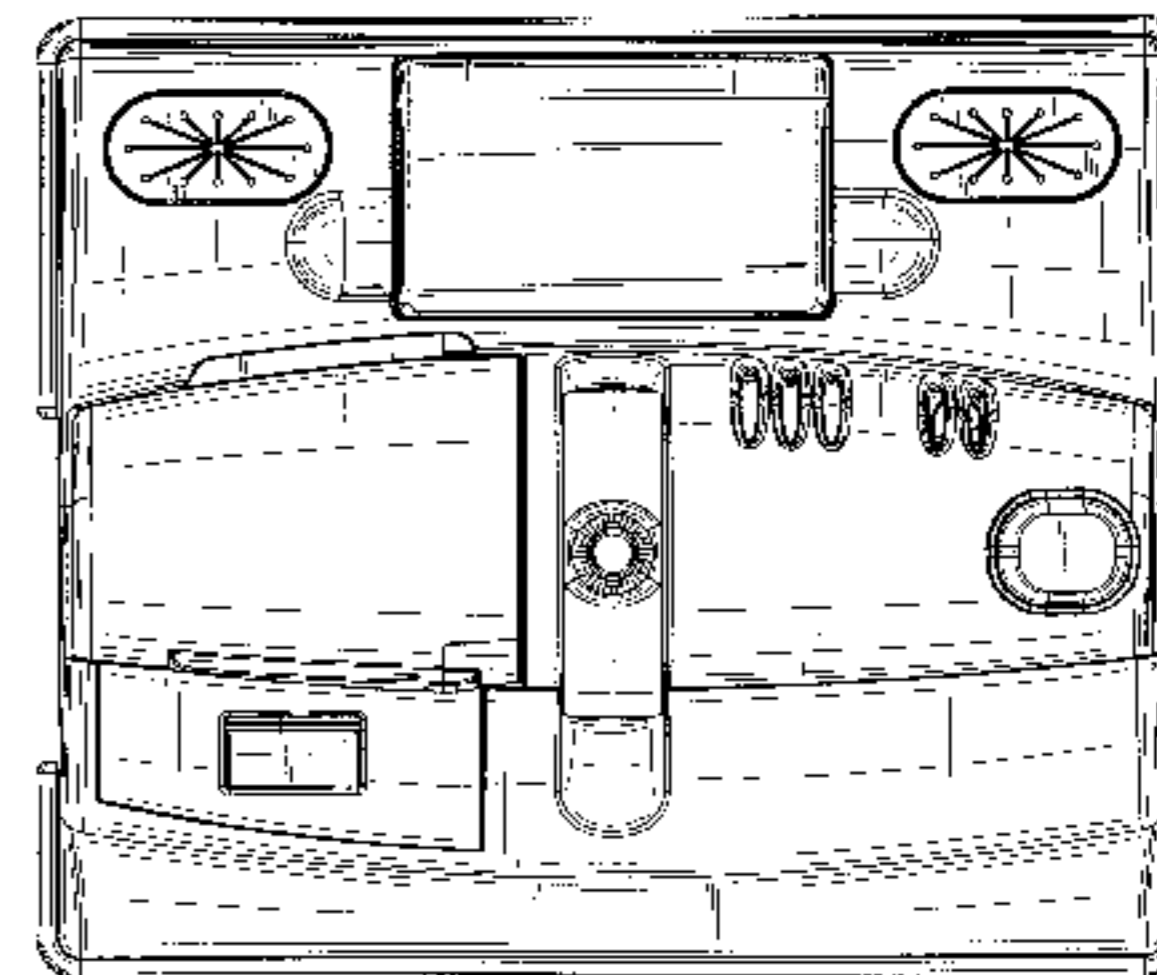
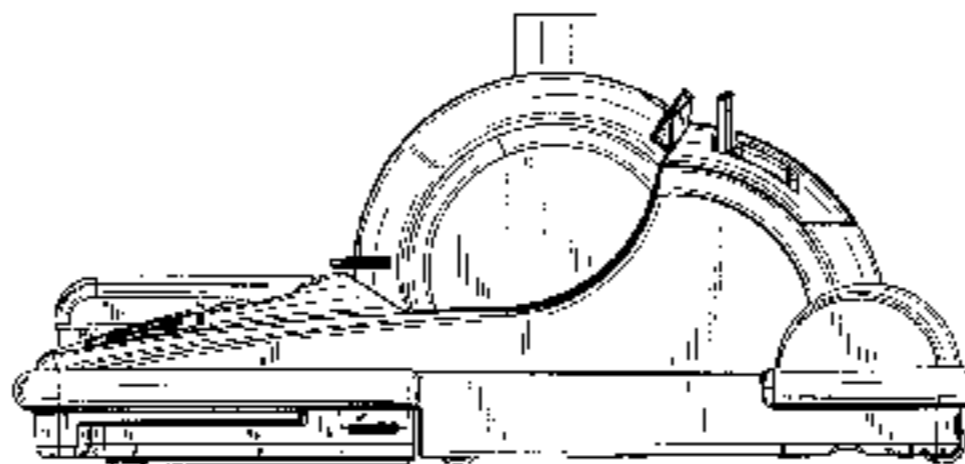
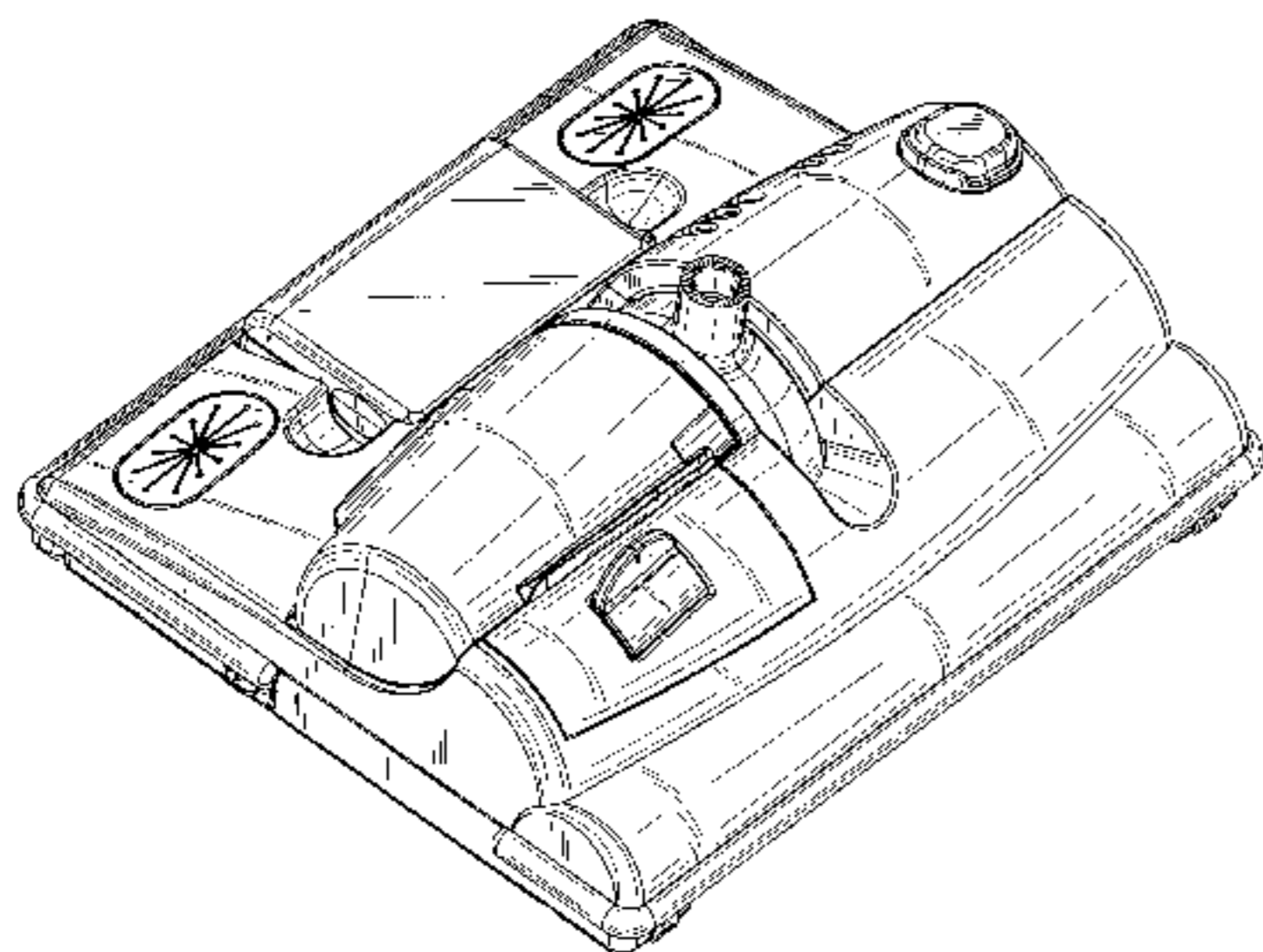
(57) **CLAIM**

The ornamental design for a floor cleaner, as shown and described.

DESCRIPTION

FIG. 1 is a perspective view of a floor cleaner showing our new design;
FIG. 2 is a front view thereof;
FIG. 3 is a rear view thereof;
FIG. 4 is a left side view thereof;
FIG. 5 is a right side view thereof; and
FIG. 6 is a top view thereof.

1 Claim, 4 Drawing Sheets



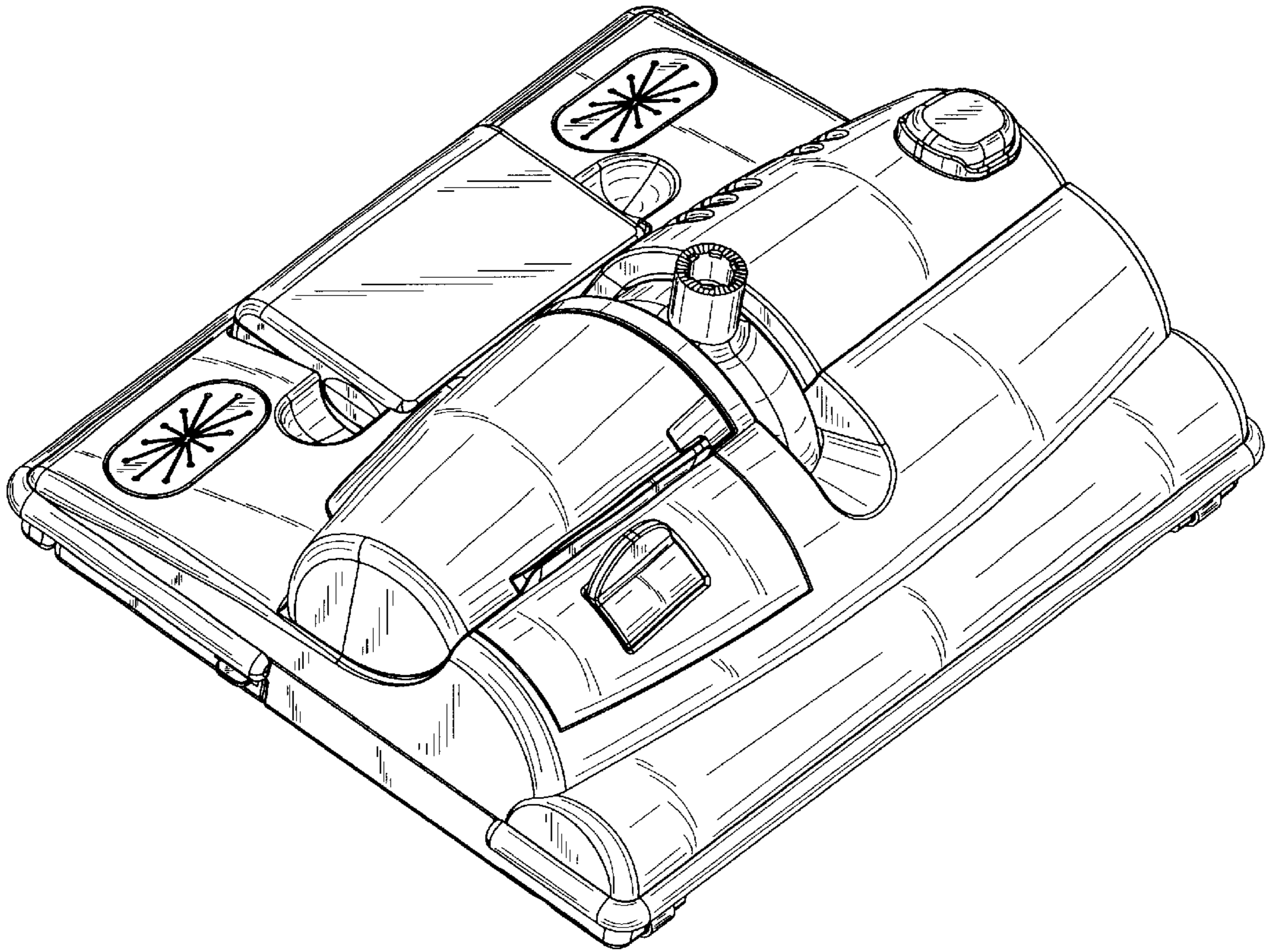


Fig. 1

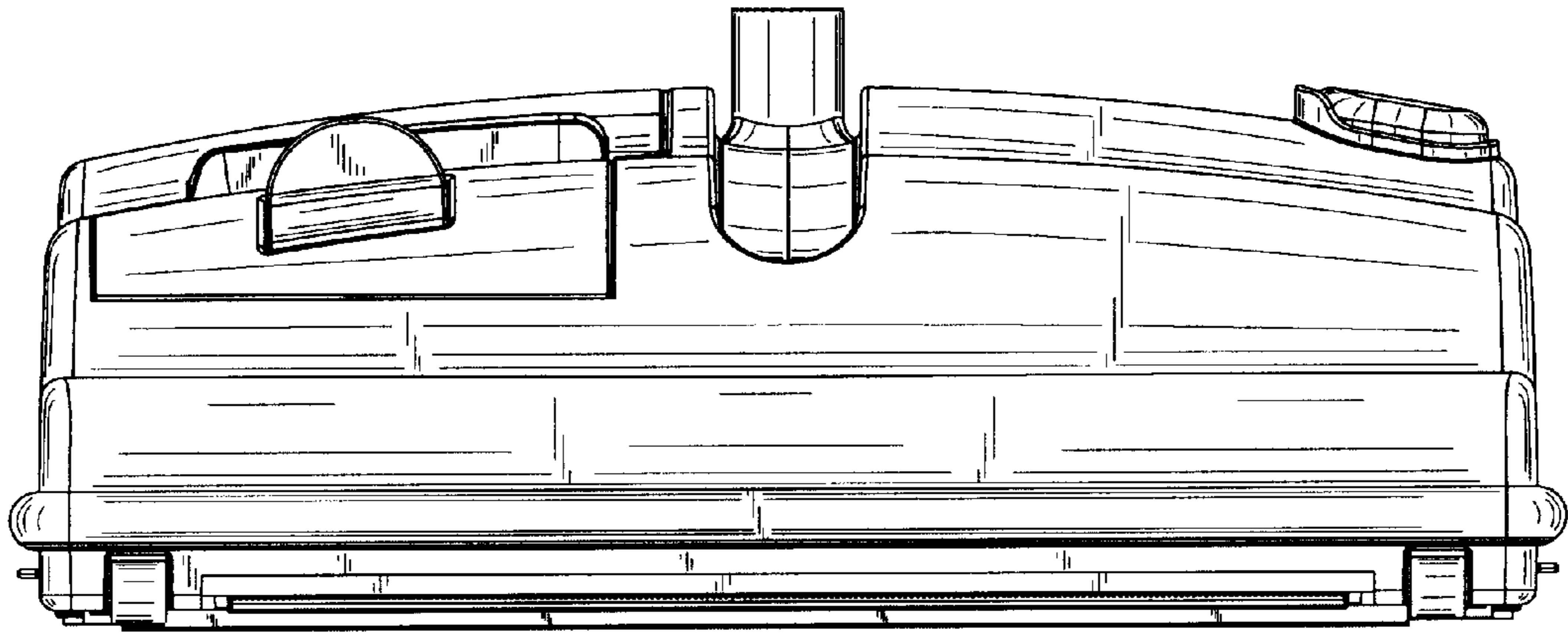


Fig. 2

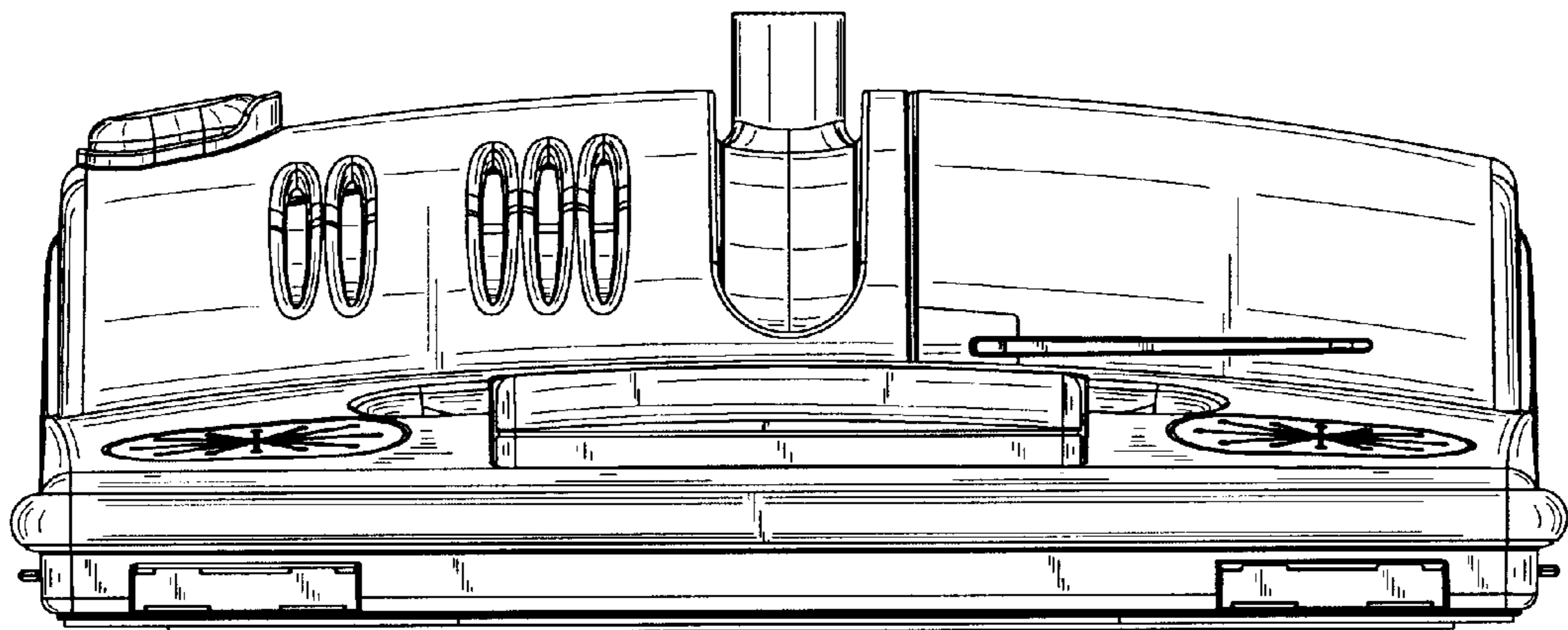


Fig. 3

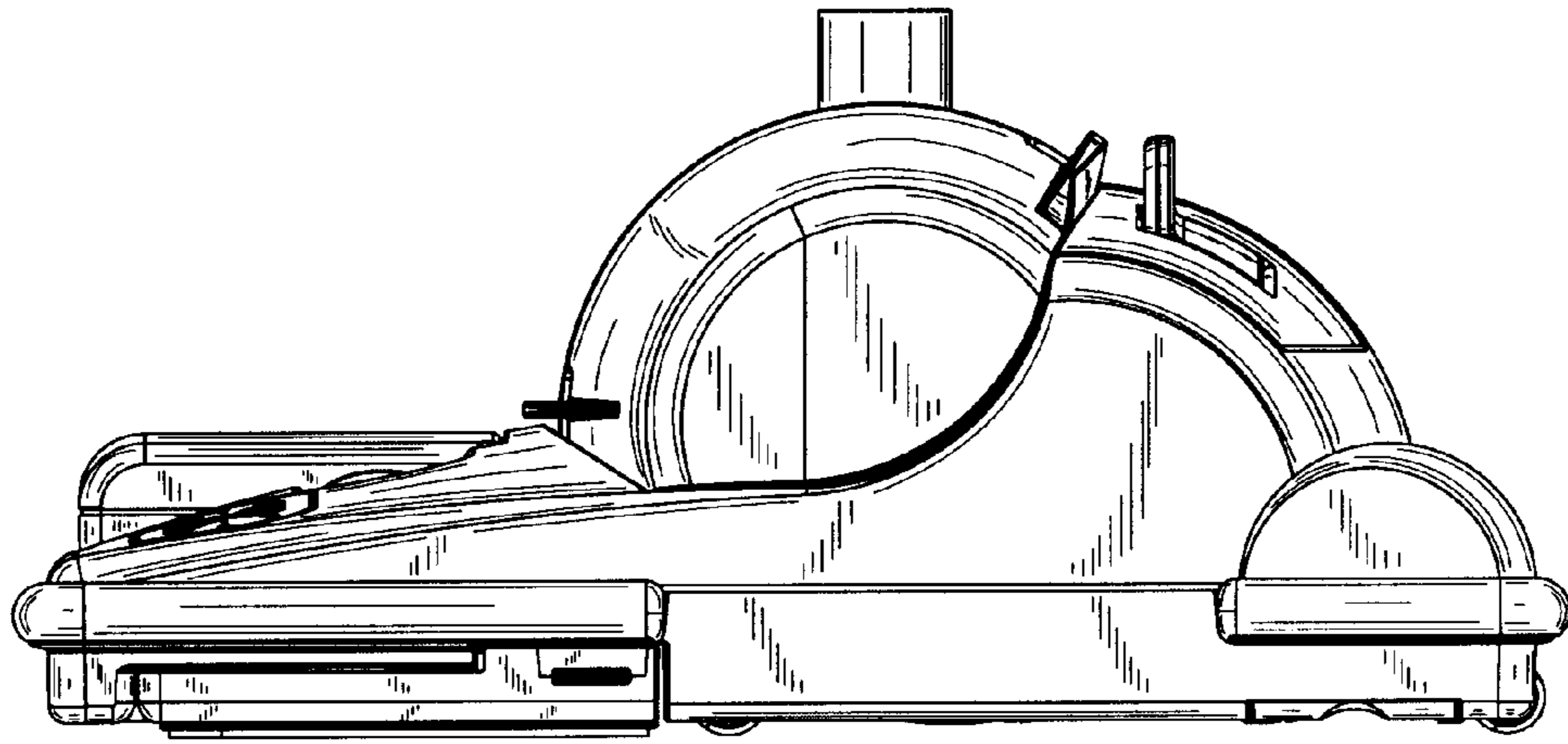


Fig. 4

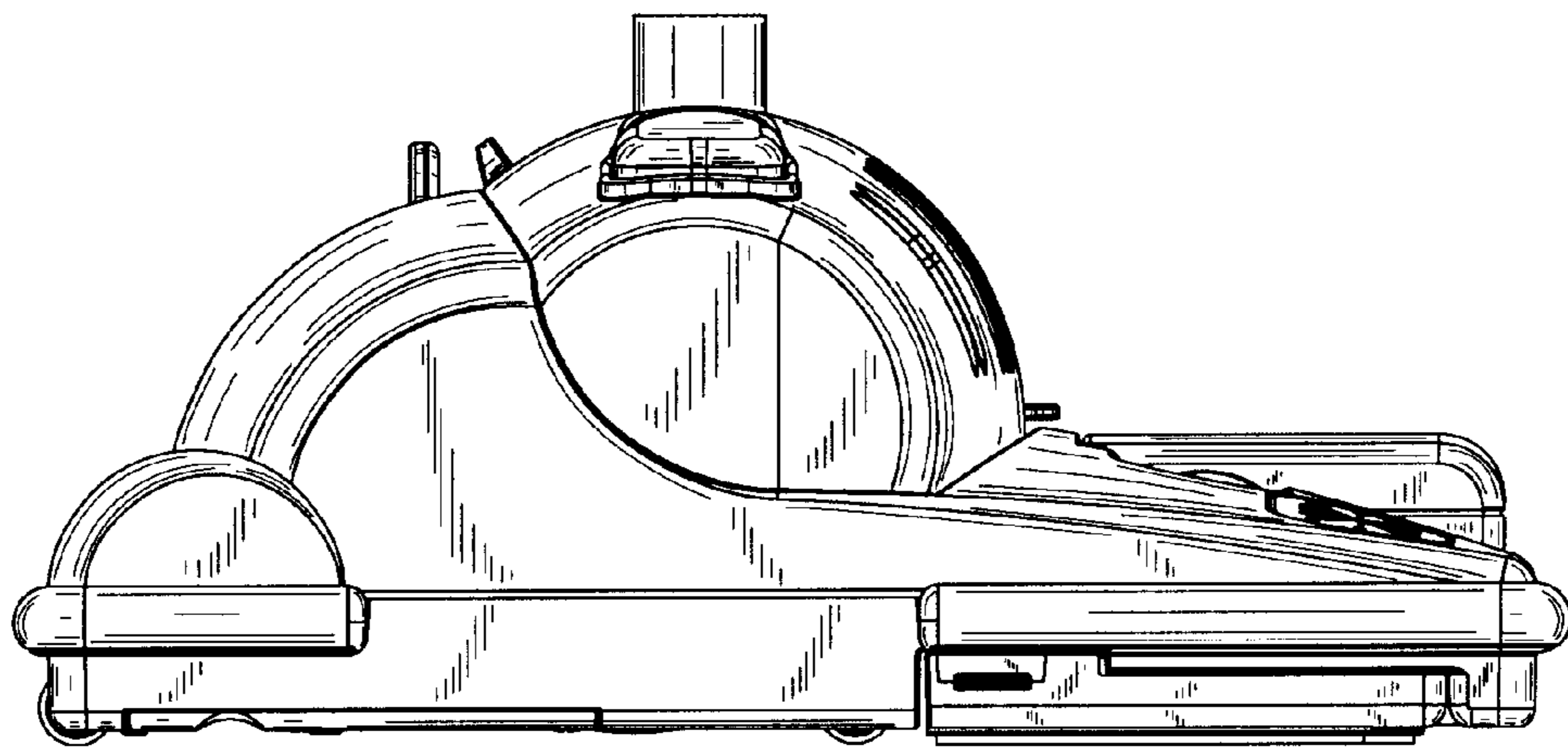


Fig. 5

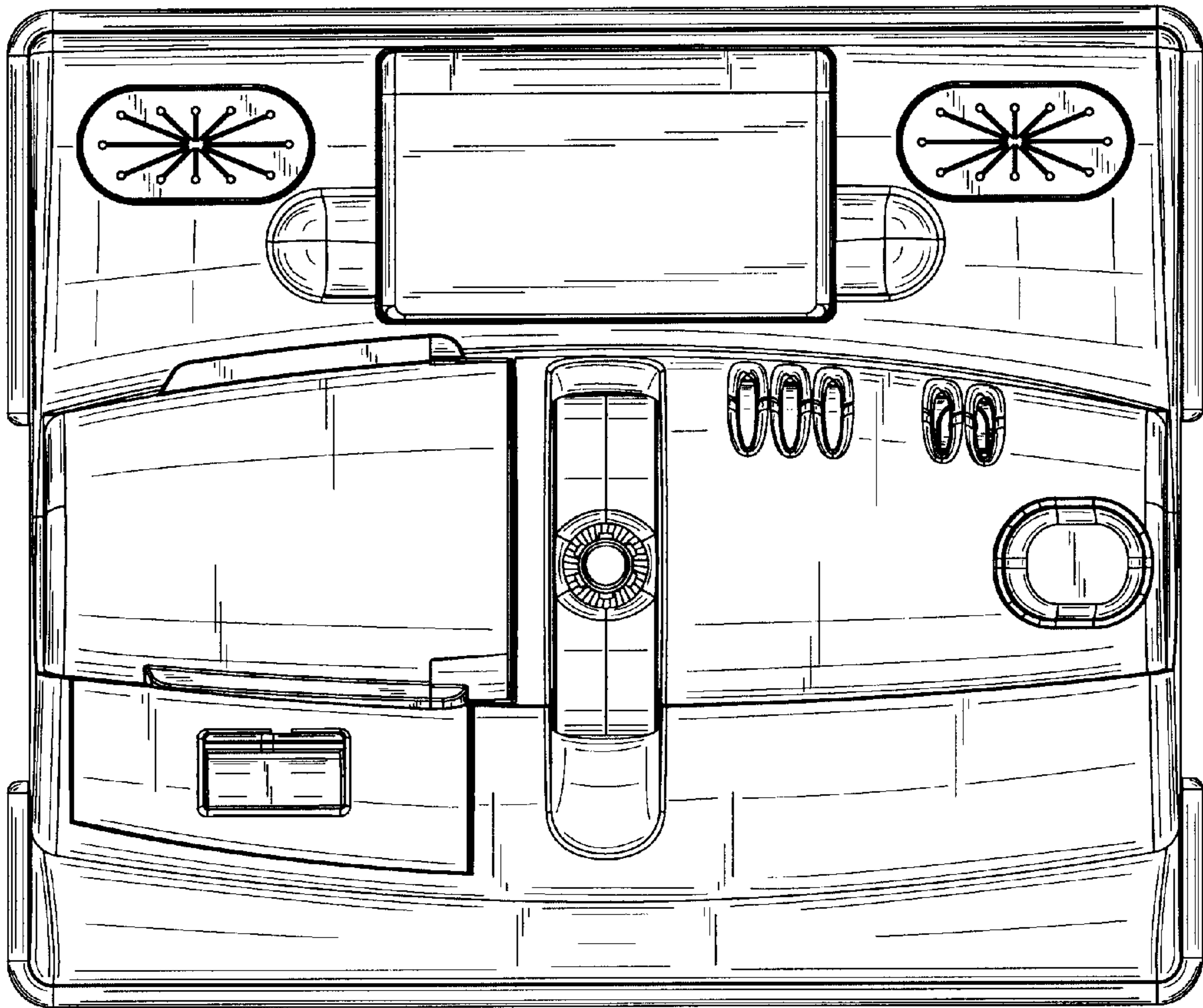


Fig. 6