



US00D487322S

(12) **United States Design Patent**
Hsu

(10) **Patent No.:** **US D487,322 S**

(45) **Date of Patent:** **** Mar. 2, 2004**

(54) **OUTDOOR LAMP**

D436,418 S * 1/2001 Porter D26/80

(76) **Inventor:** **Kevin Hsu**, Fl. 11, No. 195, Ning Hsia Rd., Taichung (TW)

(**) **Term:** **14 Years**

(21) **Appl. No.:** **29/182,019**

(22) **Filed:** **May 19, 2003**

(51) **LOC (7) Cl.** **26-03**

(52) **U.S. Cl.** **D26/92**

(58) **Field of Search** D26/24, 67-73,
D26/80, 82, 84-92, 128; 362/145, 147,
186, 257, 276, 312, 330, 351, 354, 358,
361-363, 431-433, 806, 153, 153.1

(56) **References Cited**

U.S. PATENT DOCUMENTS

1,599,721	A	*	9/1926	Roschen	362/257
1,978,882	A	*	10/1934	Olley	362/311
2,231,137	A	*	2/1941	Ohm	362/432
4,473,874	A	*	9/1984	Warshawsky	362/427
5,251,118	A	*	10/1993	Budnovitch et al.	362/362
D347,905	S	*	6/1994	Barbour	D26/67
5,406,466	A	*	4/1995	Stokes	362/153.1
D378,437	S	*	3/1997	Tognu	D26/92
D383,237	S	*	9/1997	Porter	D26/68

OTHER PUBLICATIONS

Design House Lighting Catalog; p. 22,; item 4011TW—1 Light wall Fixture.*

Sea Gull Lighting Products, Inc. 2001 Catalog; p. 301; items 8871-98 and 8870-44.*

* cited by examiner

Primary Examiner—Clare E. Heflin

(74) *Attorney, Agent, or Firm*—Alan D. Kamrath; Rider Bennett, LLP

(57) **CLAIM**

The ornamental design for an outdoor lamp, as shown and described.

DESCRIPTION

FIG. 1 is a perspective view of an outdoor lamp showing my design;

FIG. 2 is a front elevational view thereof;

FIG. 3 is a rear elevational view thereof;

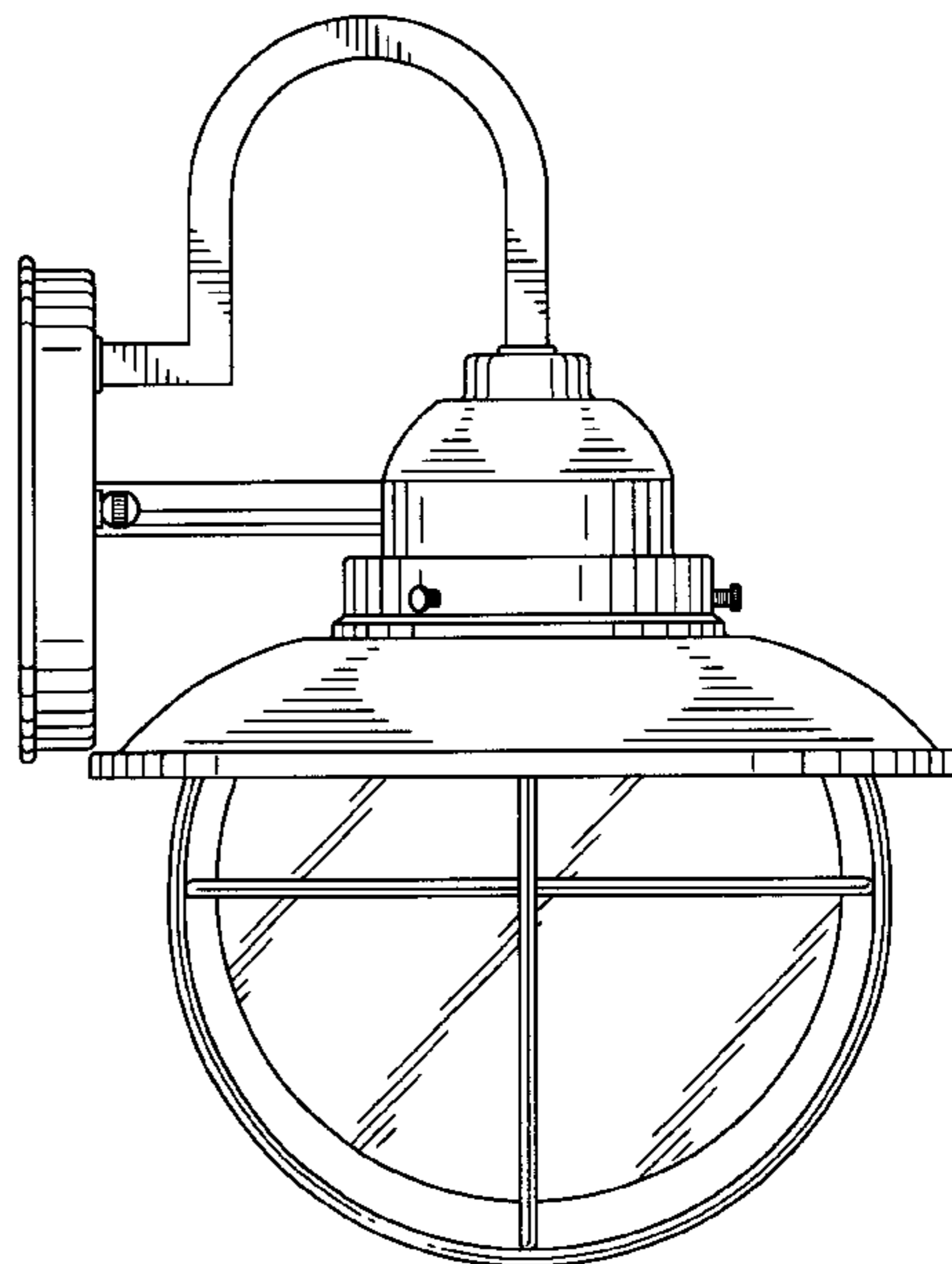
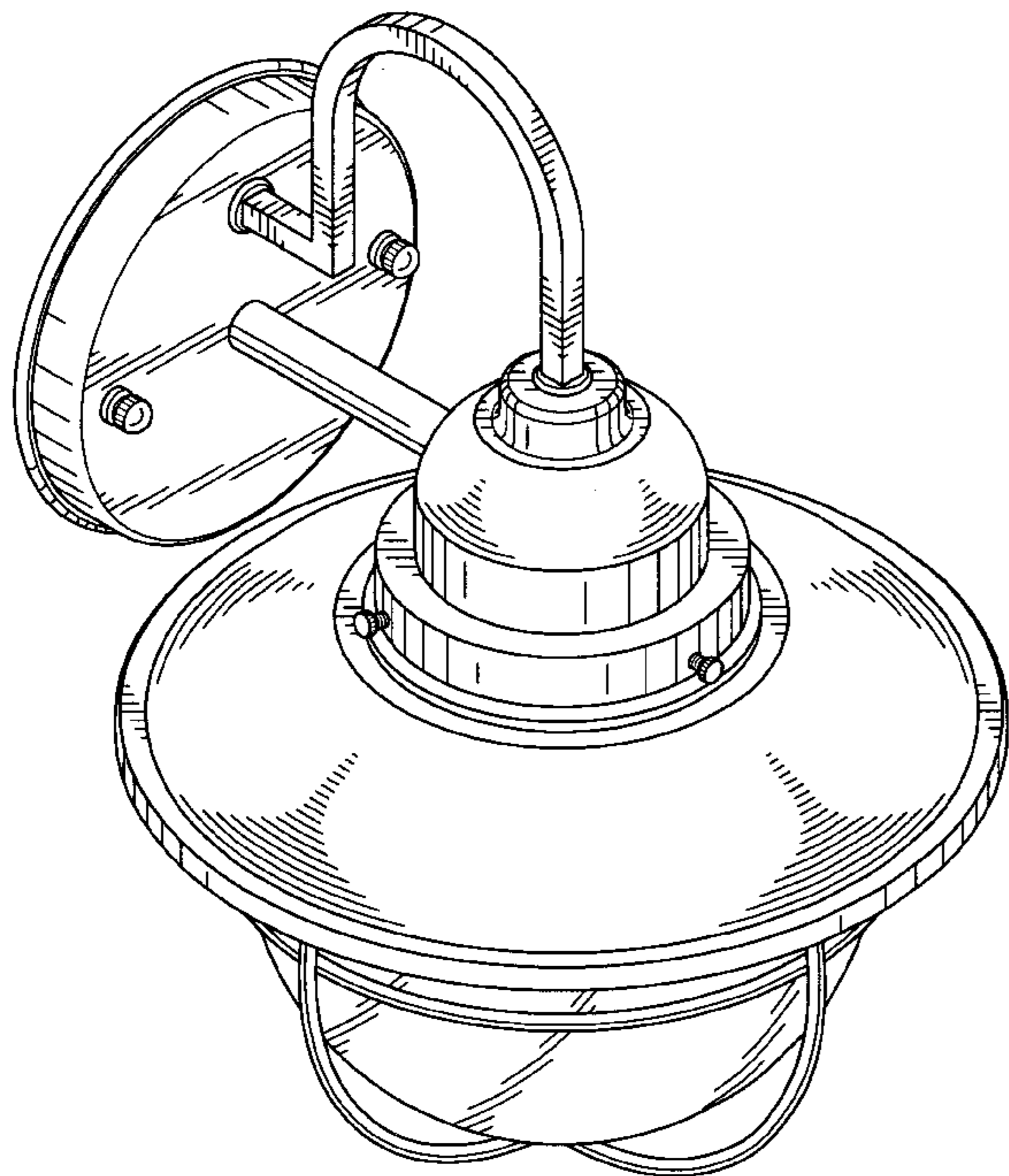
FIG. 4 is a left side elevational view thereof;

FIG. 5 is a right side elevational view thereof;

FIG. 6 is a top plan view thereof; and,

FIG. 7 is a bottom plan view thereof.

1 Claim, 4 Drawing Sheets



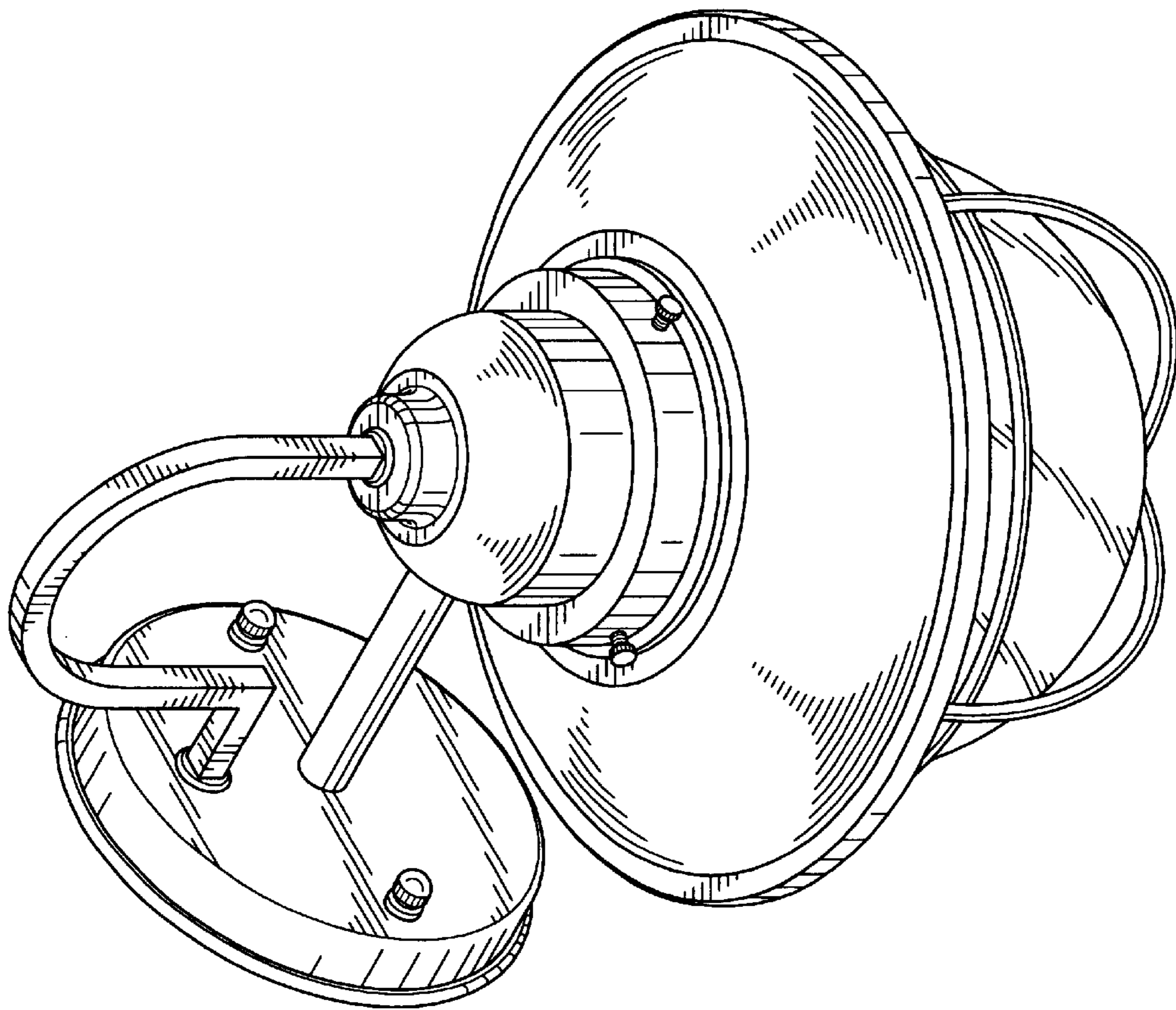


FIG.1

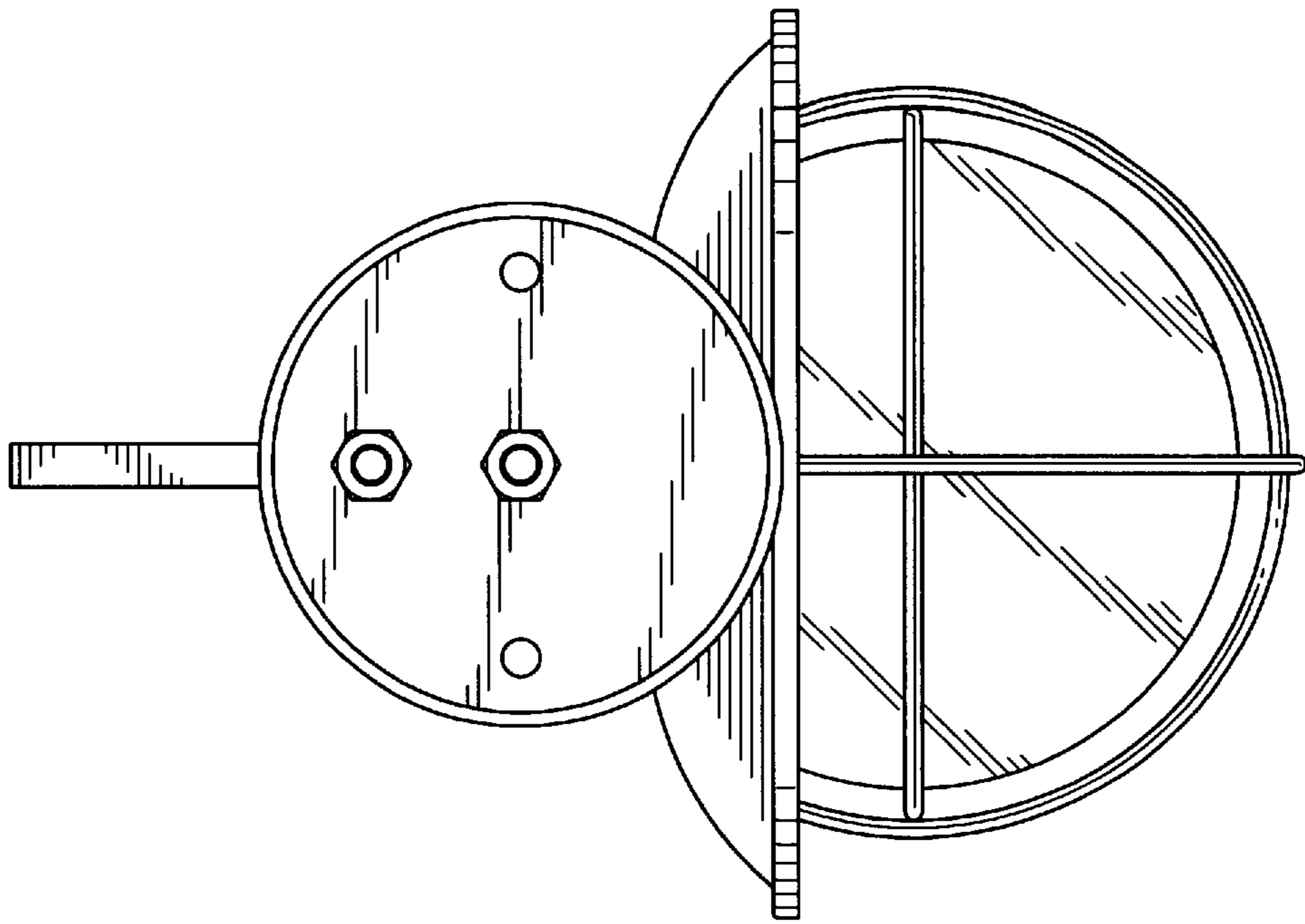


FIG. 3

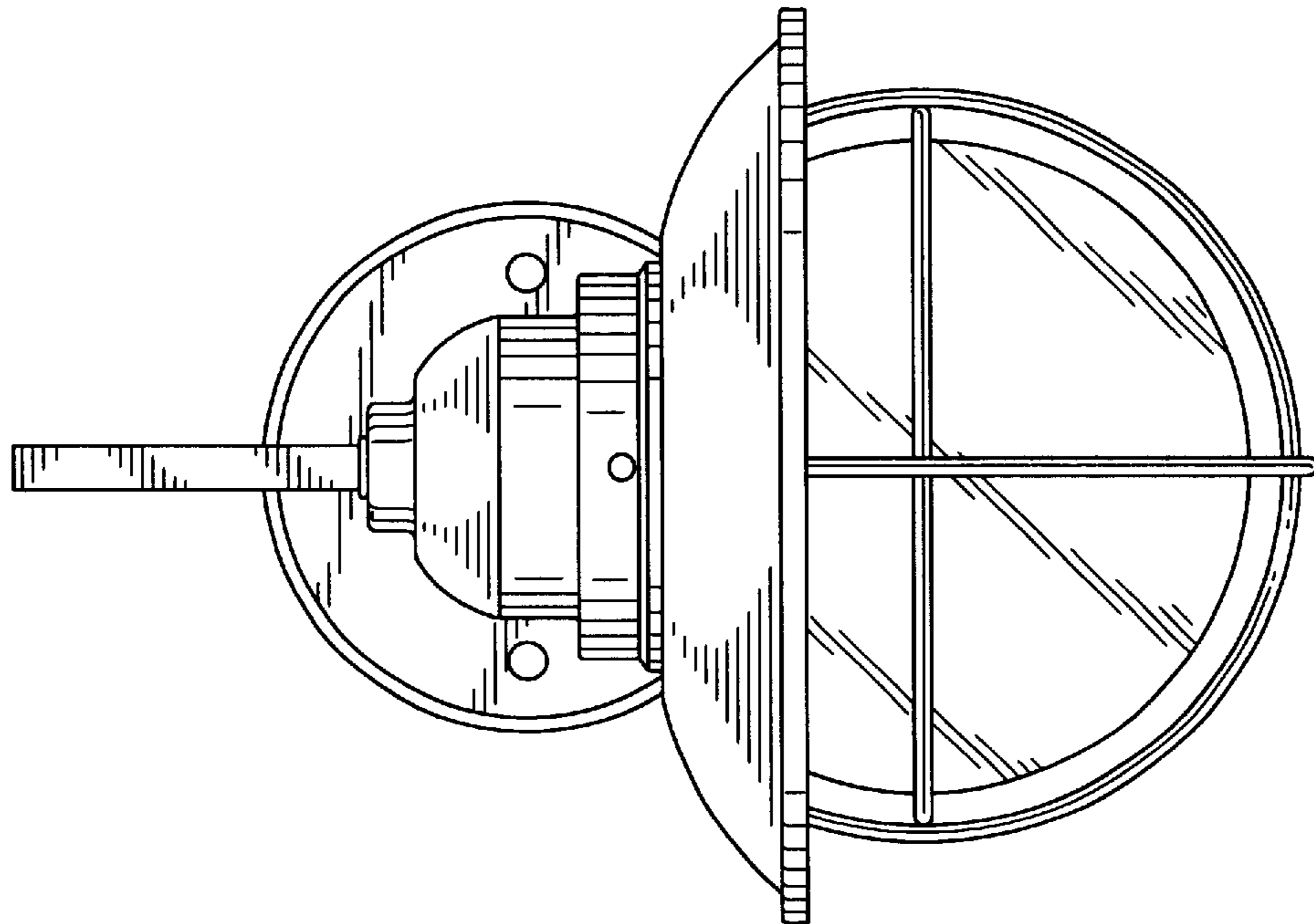


FIG. 2

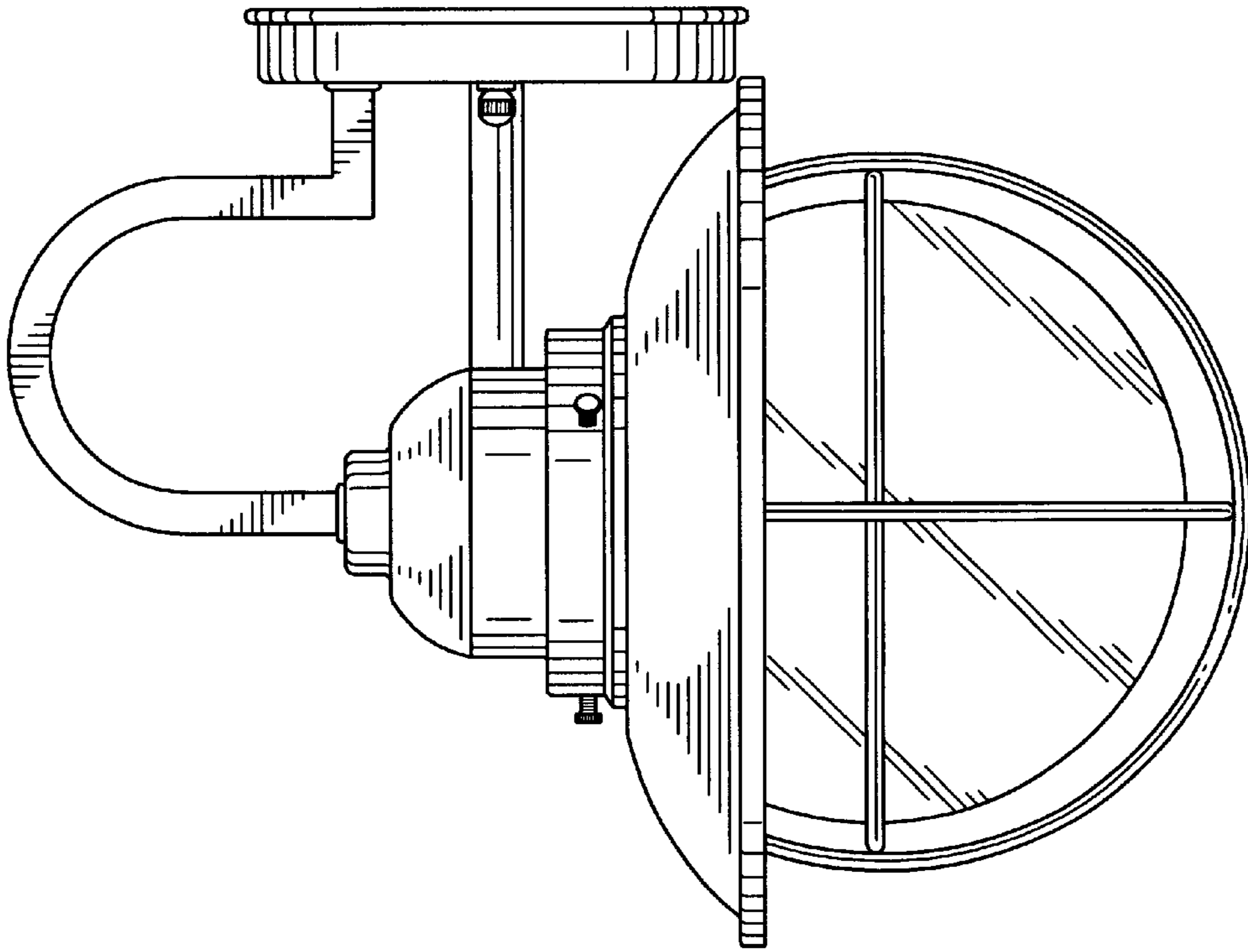


FIG.5

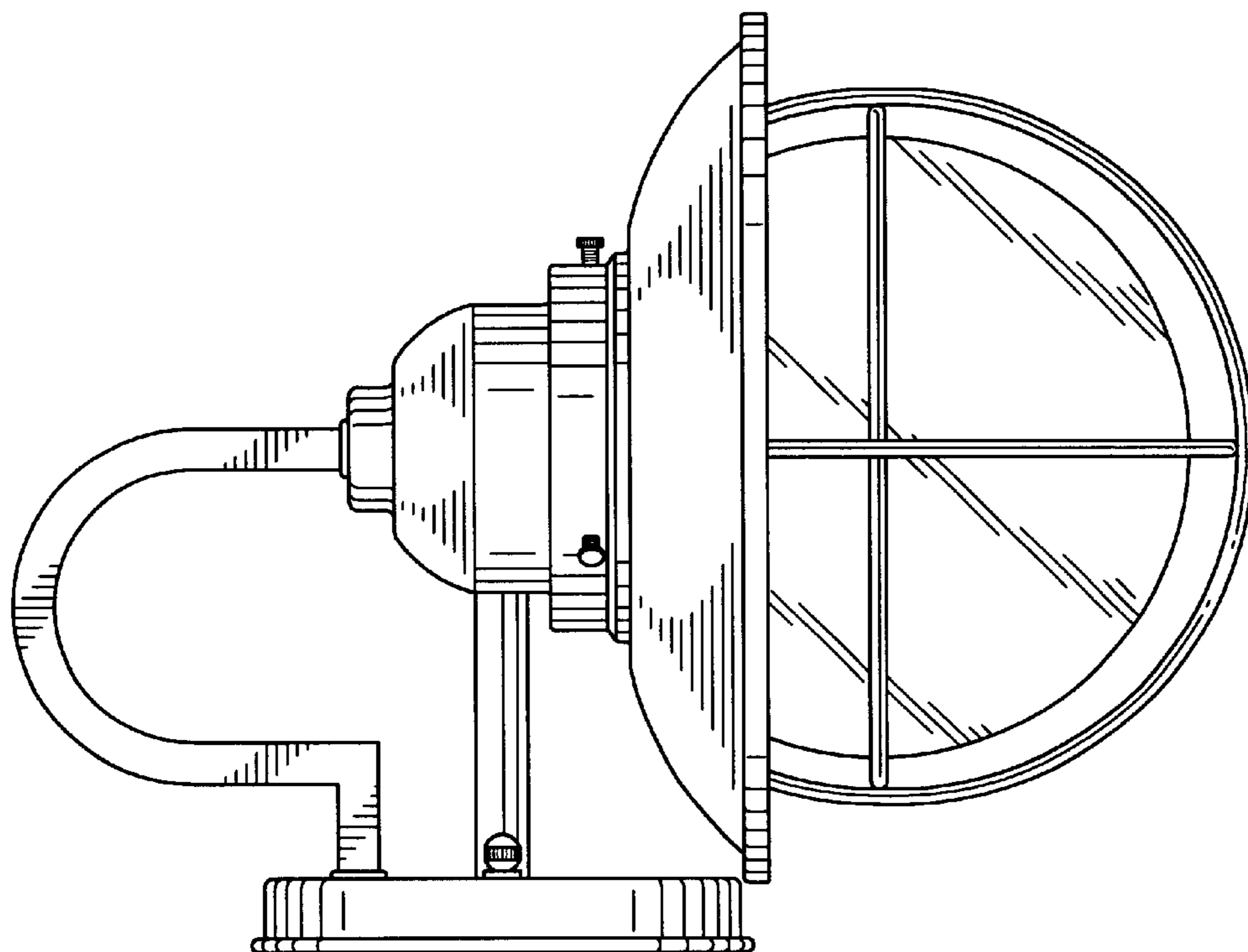


FIG.4

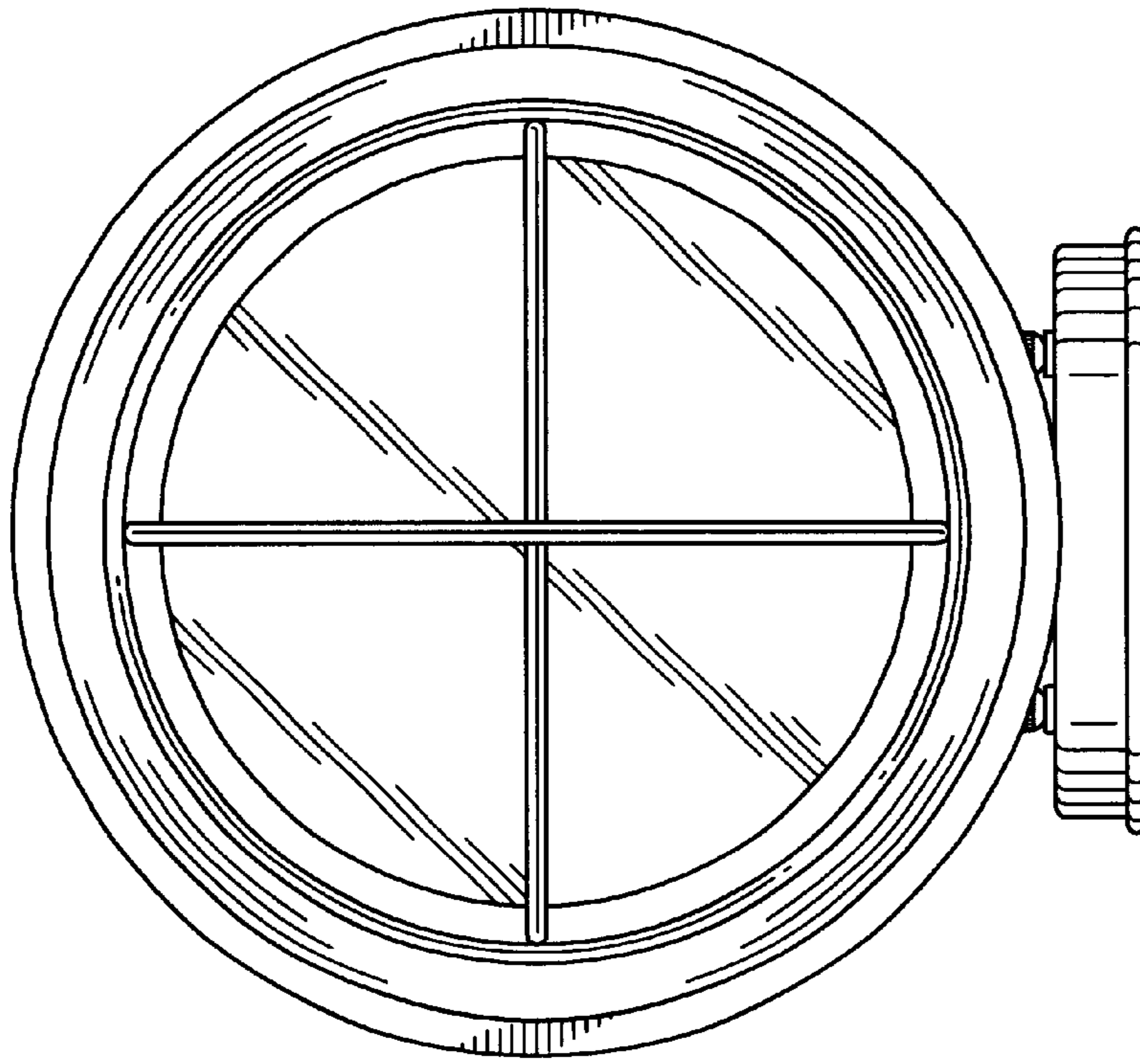


FIG. 7

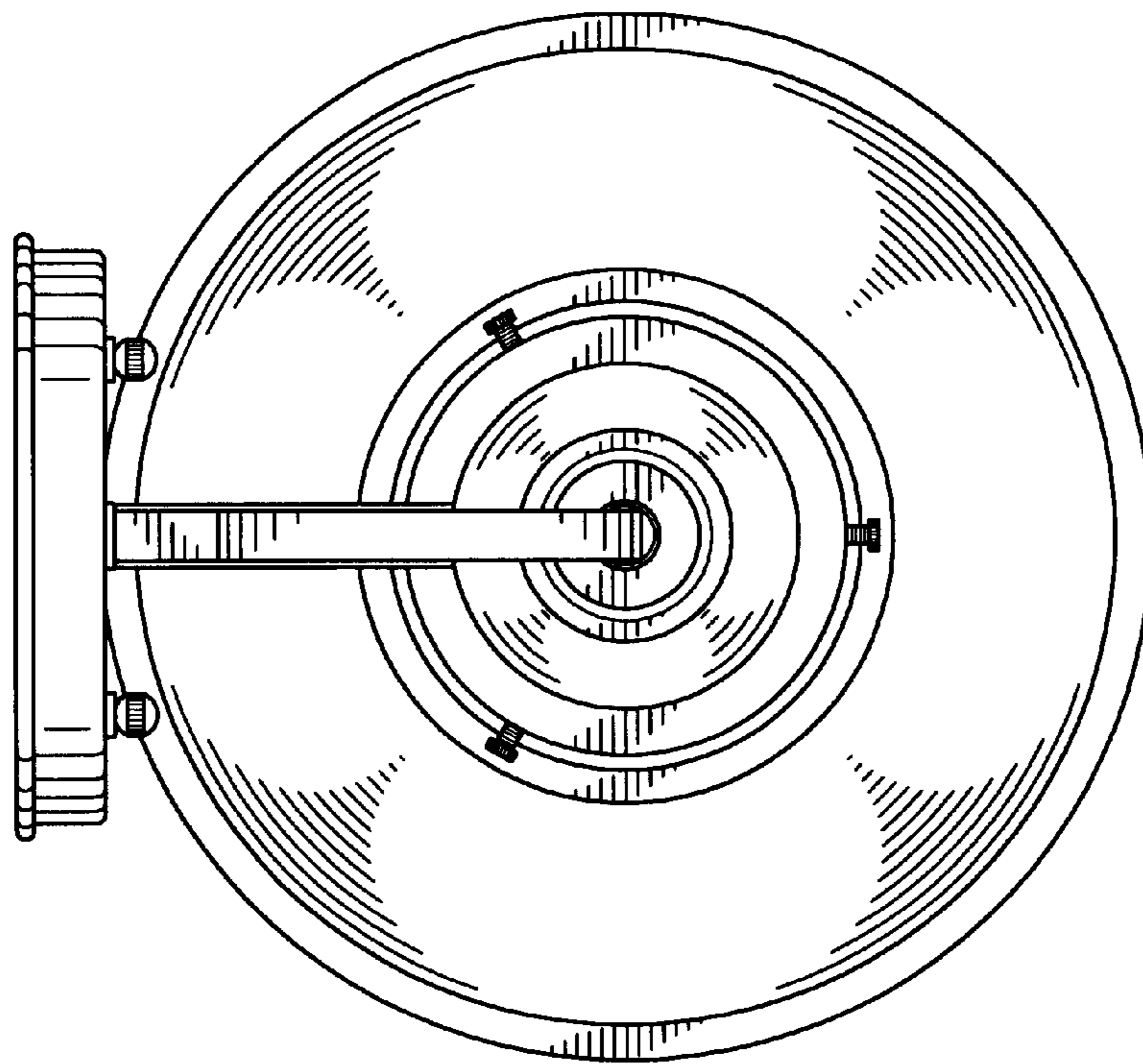


FIG. 6