



US00D487320S

(12) **United States Design Patent**
Huang

(10) **Patent No.:** **US D487,320 S**

(45) **Date of Patent:** **** Mar. 2, 2004**

(54) **VEHICLE MARKER LIGHT WITH CENTER REFLECTOR**

(75) Inventor: **Nan Huang Huang**, Rancho Palos Verdes, CA (US)

(73) Assignee: **Grand General Accessories Manufacturing Inc.**, Compton, CA (US)

(**) Term: **14 Years**

(21) Appl. No.: **29/178,692**

(22) Filed: **Mar. 28, 2003**

(51) **LOC (7) Cl.** **26-04**

(52) **U.S. Cl.** **D26/28**

(58) **Field of Search** D26/28-36, 139; 362/61, 74, 147, 330, 331, 336, 372

(56) **References Cited**

U.S. PATENT DOCUMENTS

D469,213 S	*	1/2003	Huang	D26/28
D469,895 S	*	2/2003	Huang	D26/28
D470,613 S	*	2/2003	Huang	D26/28
D471,657 S	*	3/2003	Huang	D26/28

* cited by examiner

Primary Examiner—Marcus A. Jackson
(74) *Attorney, Agent, or Firm*—Thomas I. Rozsa; Tony D. Chen

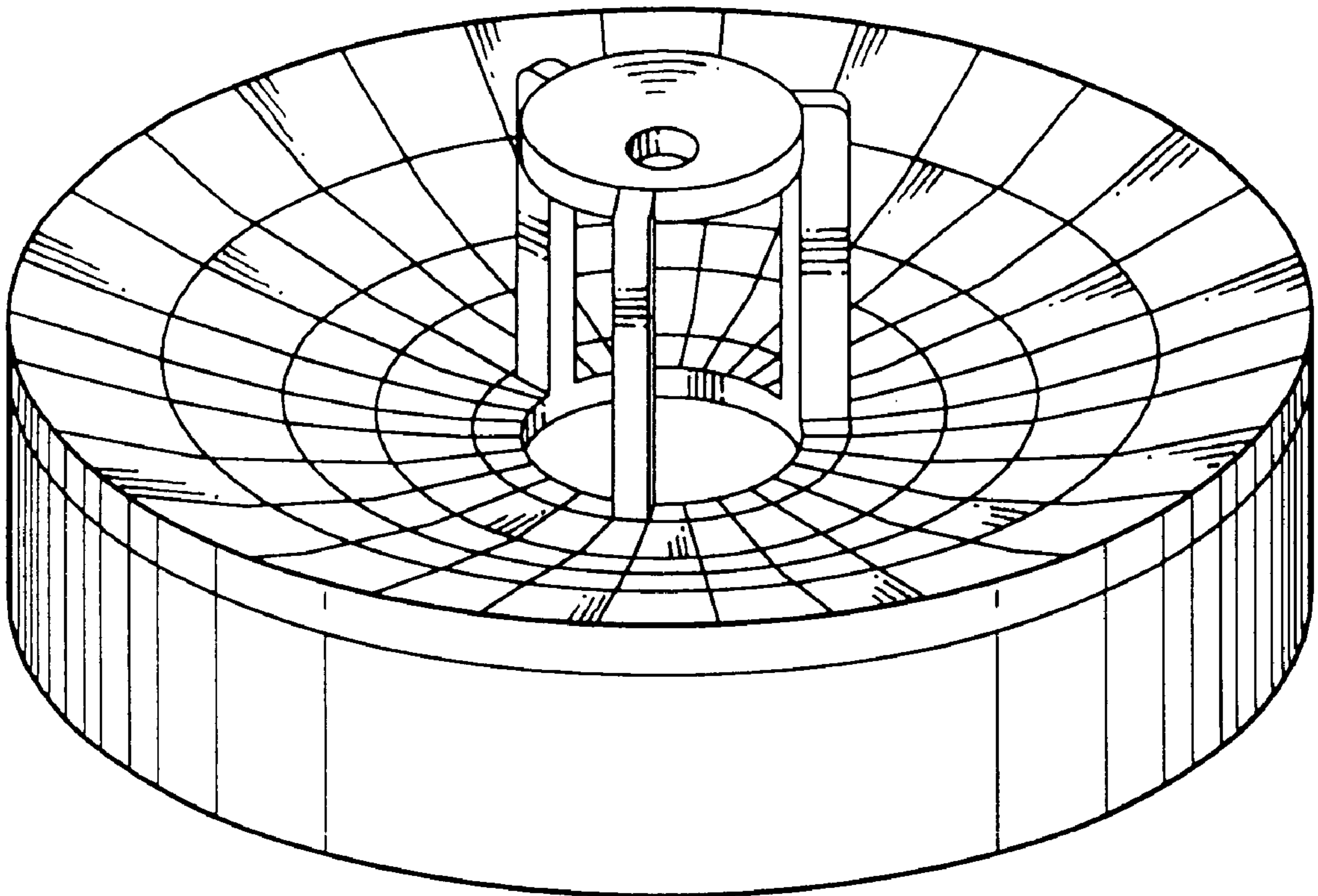
(57) **CLAIM**

The ornamental design for a vehicle marker light with center reflector, as shown and described.

DESCRIPTION

FIG. 1 is a perspective view of a vehicle marker light with center reflector, showing my new design;
FIG. 2 is a top plan view thereof;
FIG. 3 is a bottom plan view thereof;
FIG. 4 is a side elevation view thereof, the other side being identical;
FIG. 5 is a front end elevation view thereof;
FIG. 6 is a rear end elevation view thereof; and,
FIG. 7 is a perspective view thereof, showing my new design in its position of use, it being understood that the broken line (showing the housing and lens of a vehicle lighting) is for illustrative purposes only and forms no part of the claimed design.

1 Claim, 3 Drawing Sheets



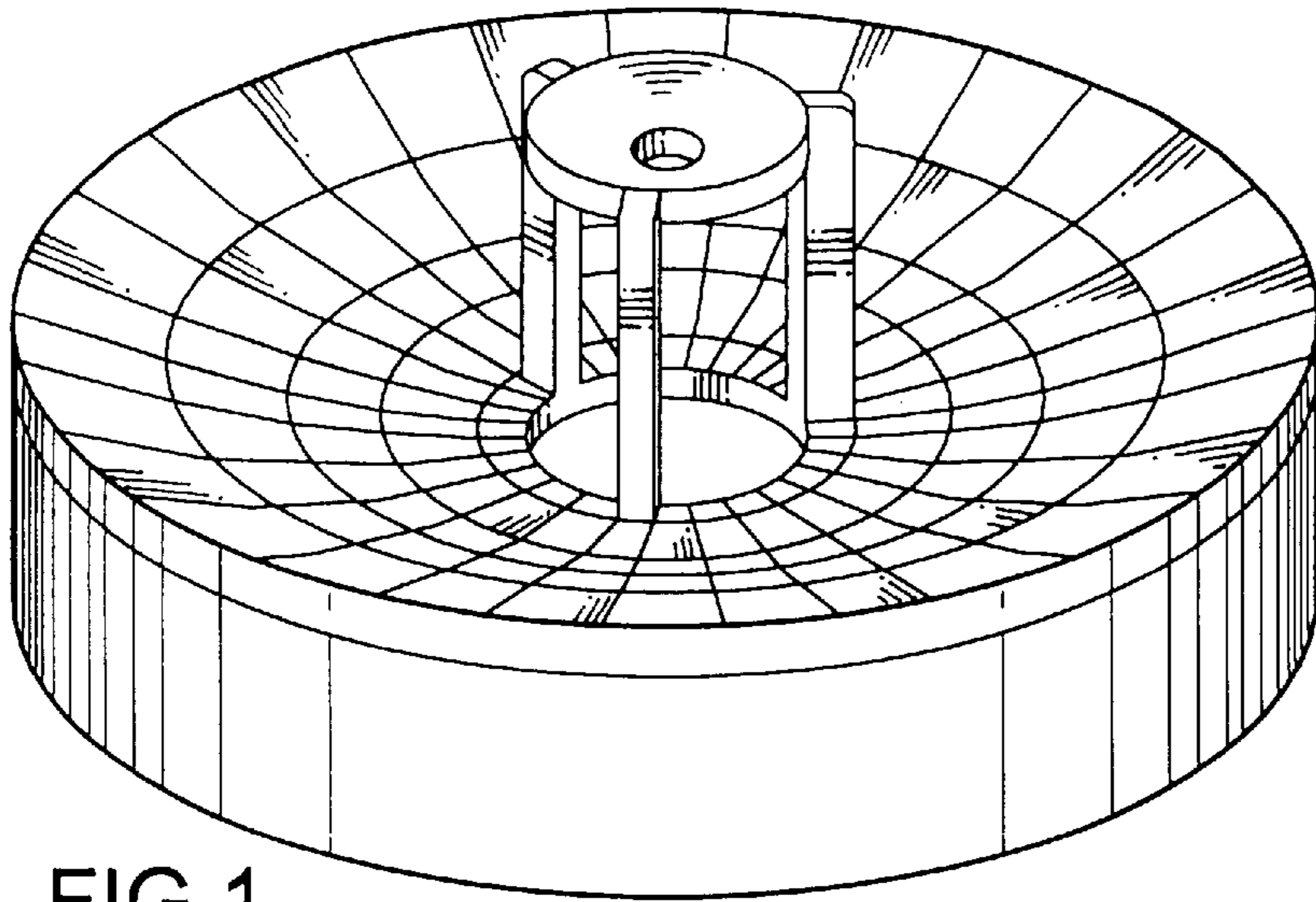


FIG. 1

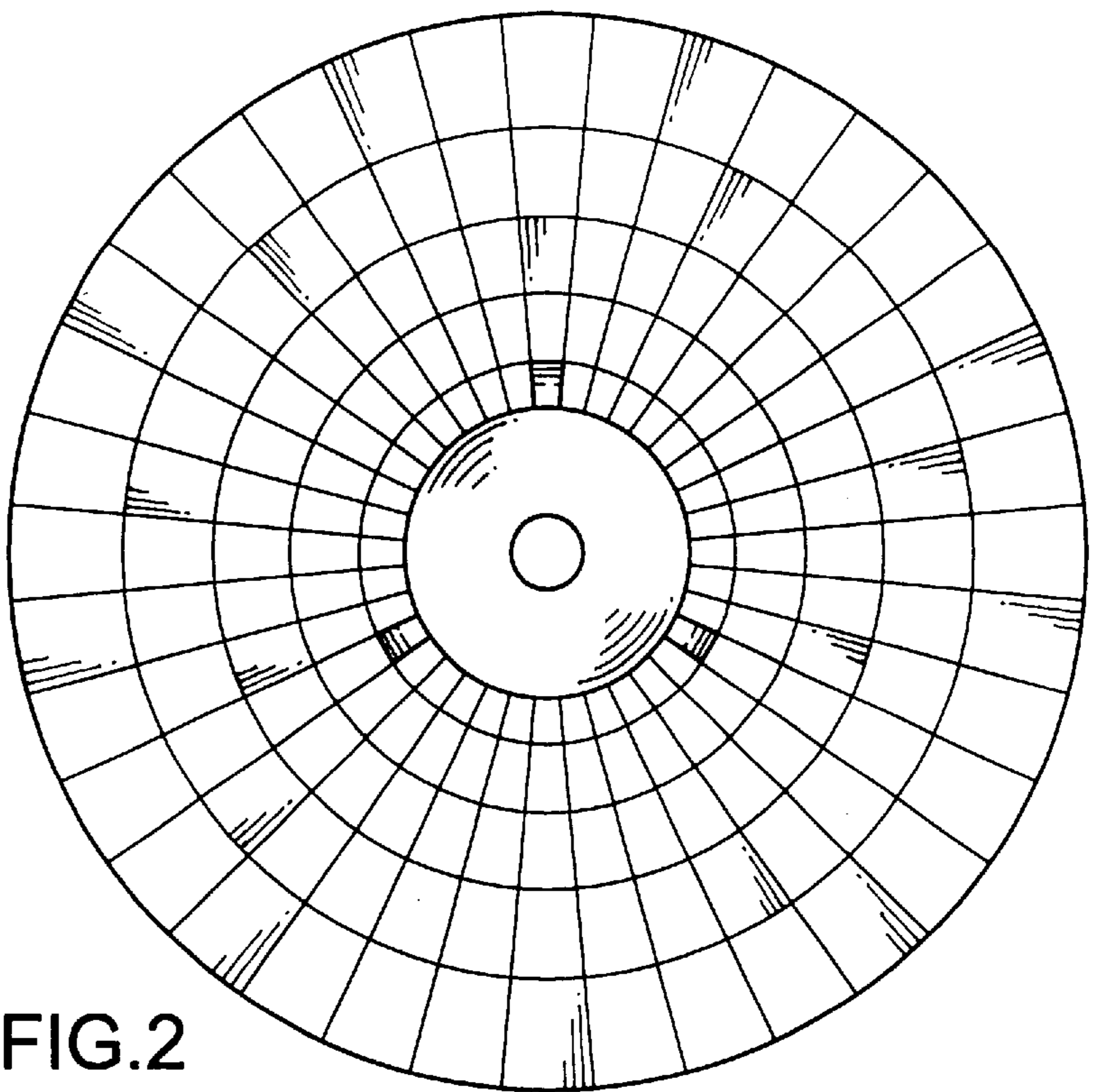


FIG. 2

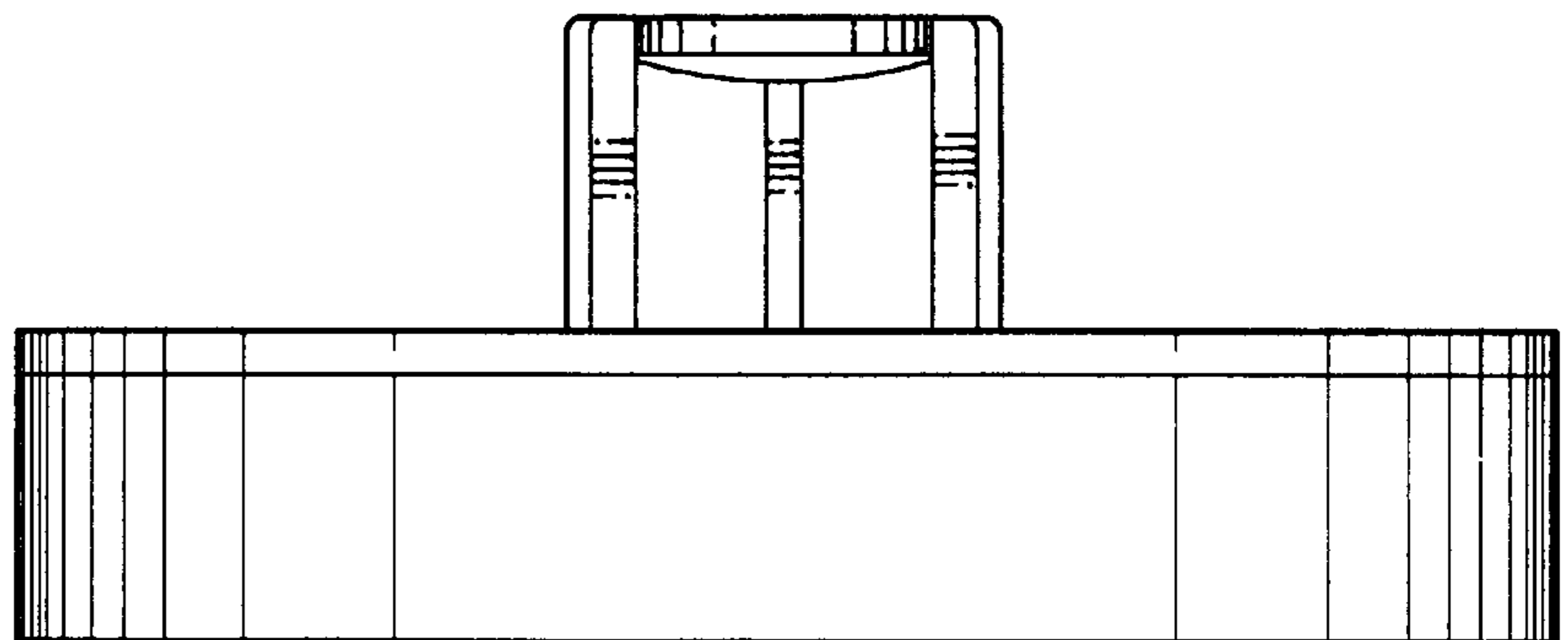
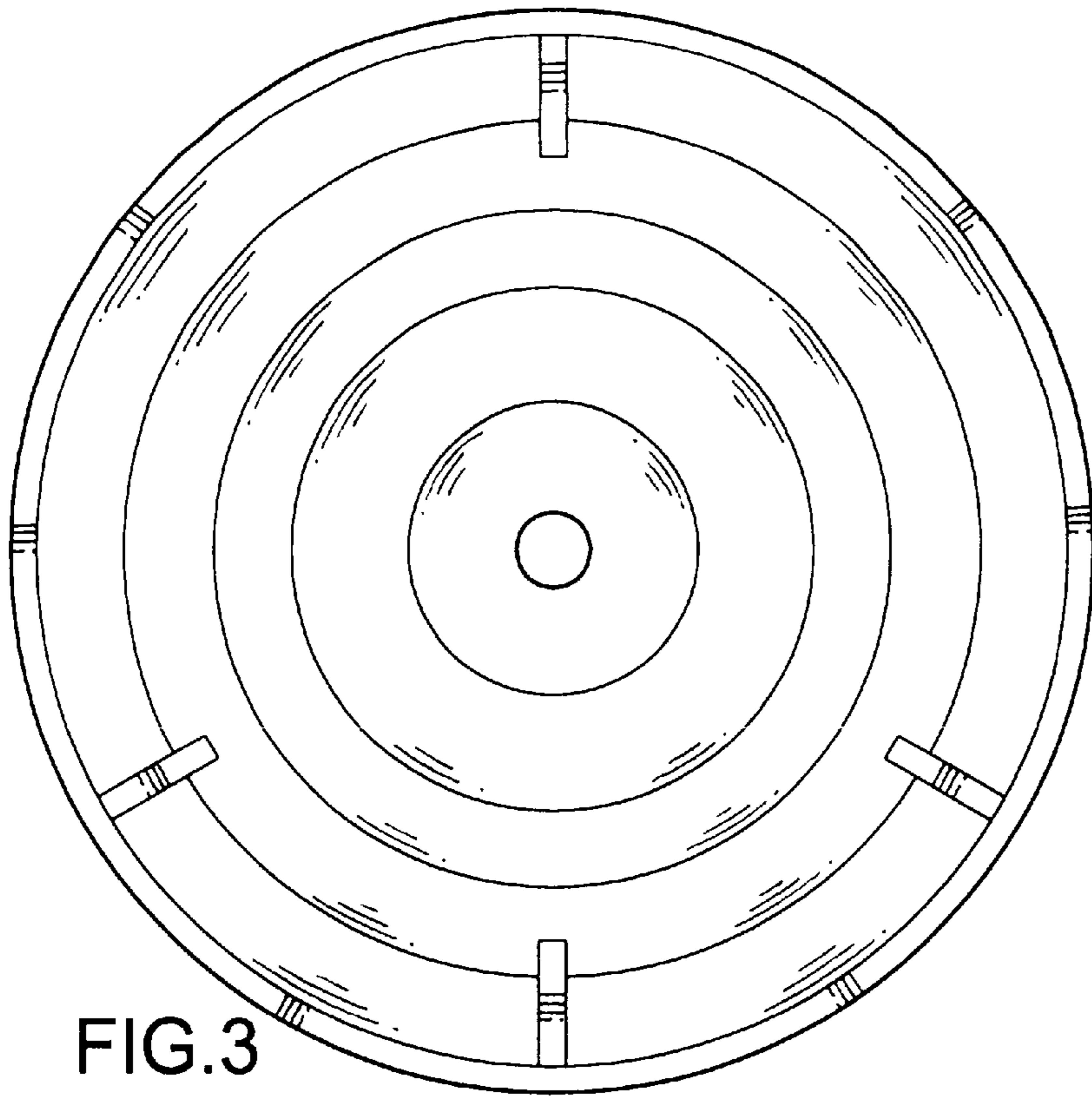


FIG. 4

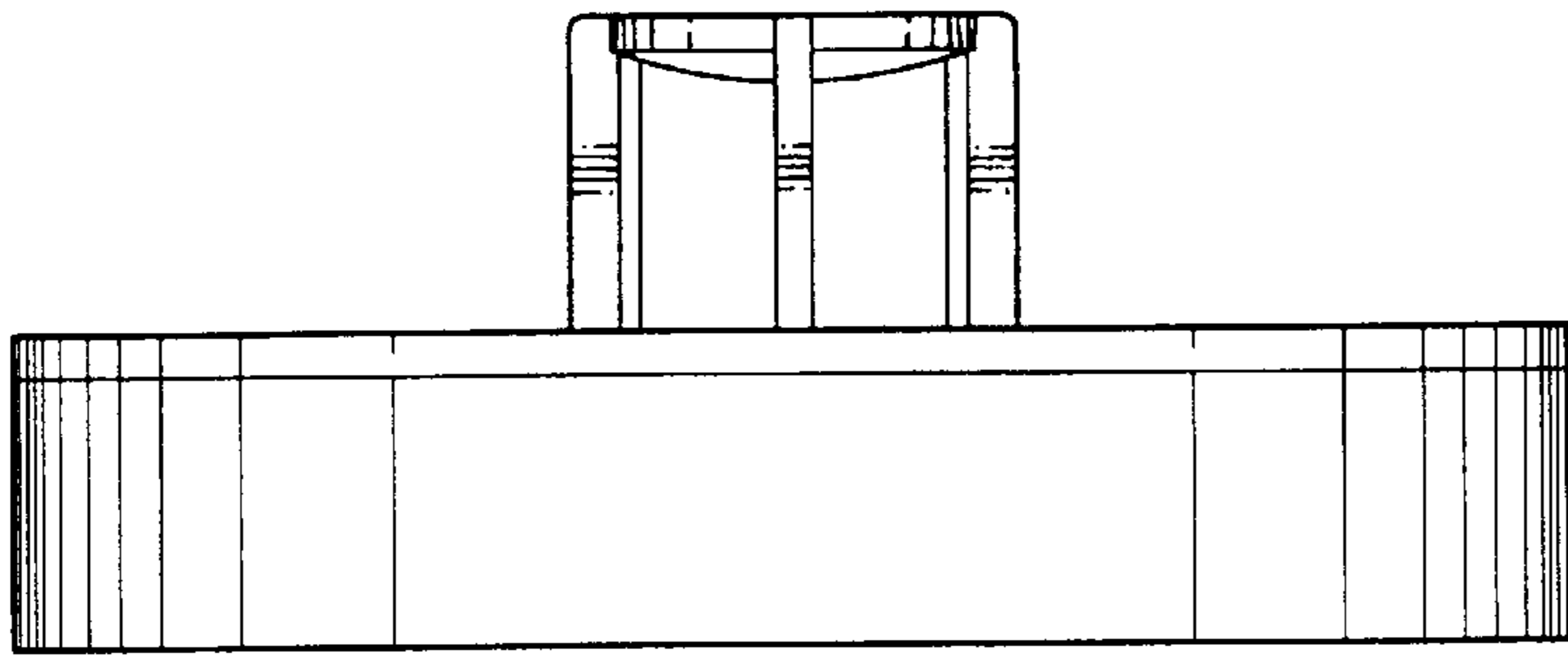


FIG. 5

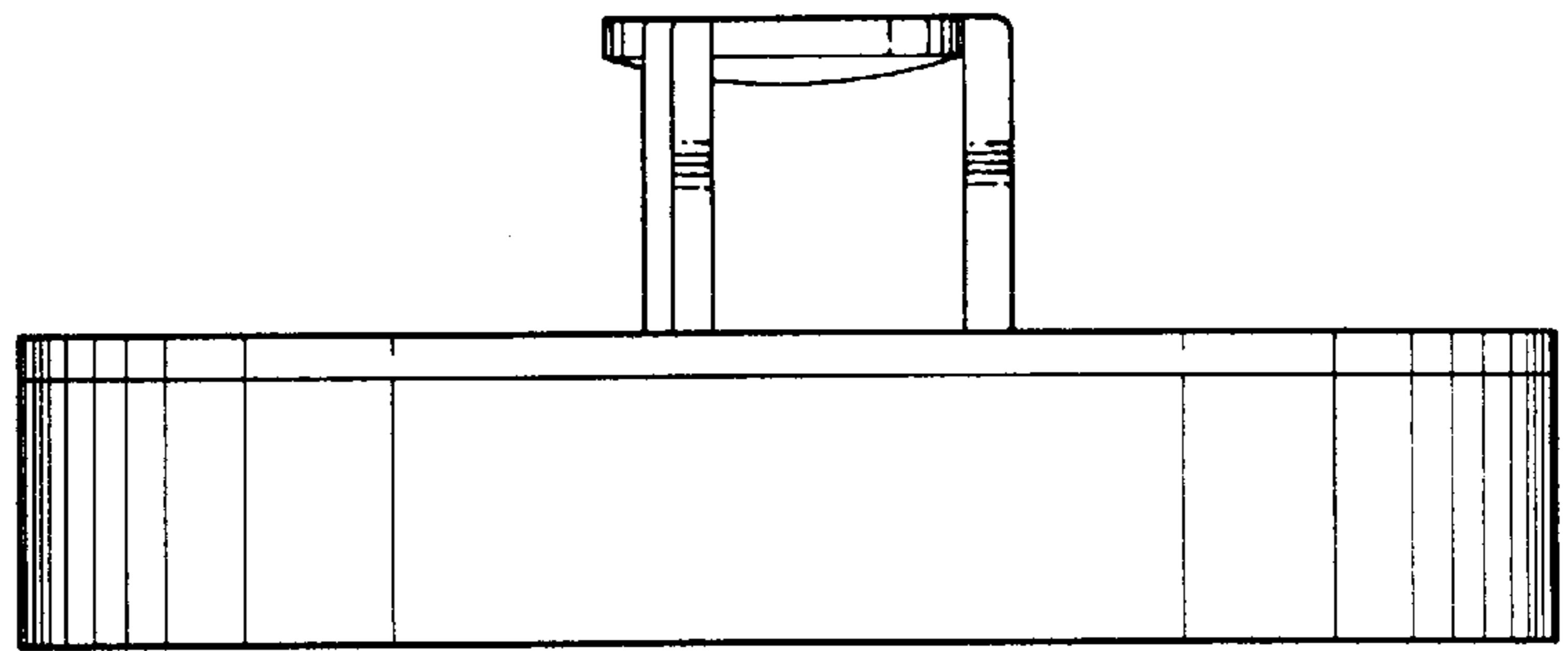


FIG. 6

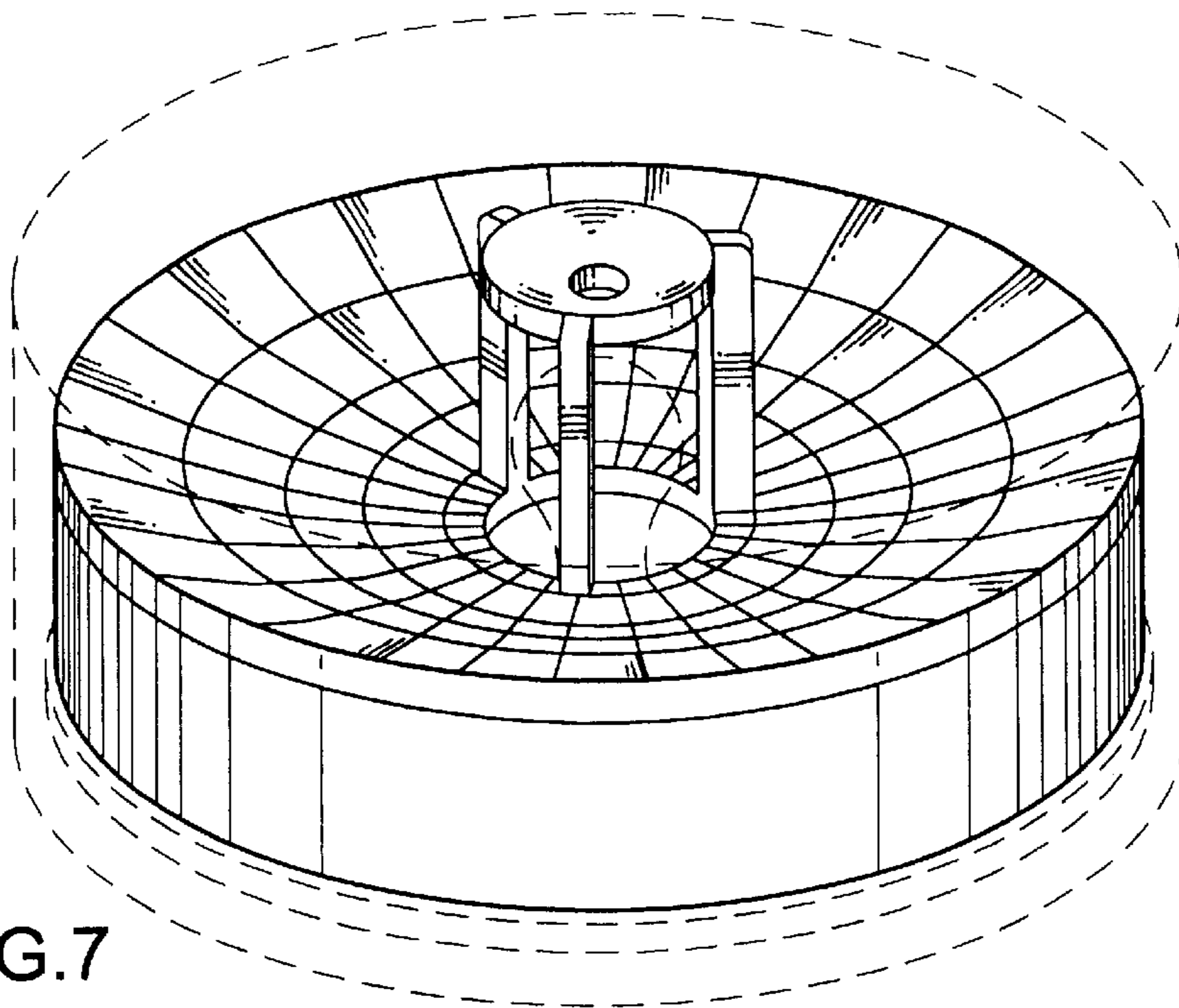


FIG. 7