



US00D487317S

(12) **United States Design Patent**
Guertin

(10) **Patent No.:** **US D487,317 S**

(45) **Date of Patent:** **** Mar. 2, 2004**

(54) **FLEXIBLE KICK BOARD**

6,093,109 A * 7/2000 Eden et al. 472/92
D442,707 S * 5/2001 Kulik D25/138

(75) Inventor: **Christopher M. Guertin**, St. Louis
Park, MN (US)

* cited by examiner

(73) Assignee: **Athletica, Inc.**, St. Louis Park, MN
(US)

Primary Examiner—Doris Clark

(74) *Attorney, Agent, or Firm*—Merchant & Gould PC

(**) Term: **14 Years**

(57) **CLAIM**

The ornamental design for a flexible kick board, as shown
and described.

(21) Appl. No.: **29/178,455**

(22) Filed: **Mar. 26, 2003**

DESCRIPTION

(51) **LOC (7) Cl.** **25-01**

(52) **U.S. Cl.** **D25/138**

(58) **Field of Search** 472/92, 94; D25/138;
312/245

FIG. 1 is a perspective view of a flexible kick board
according to the principles of the present invention;
FIG. 2 is a front elevational view thereof;
FIG. 3 is a rear elevational view thereof;
FIG. 4 is a top plan view thereof;
FIG. 5 is a bottom plan view thereof; and,
FIG. 6 is a right side elevational view thereof, the left side
elevational view being the mirror image thereof.

(56) **References Cited**

U.S. PATENT DOCUMENTS

5,312,109 A * 5/1994 Cagle 472/94
5,718,493 A * 2/1998 Nikolai 312/245

1 Claim, 3 Drawing Sheets

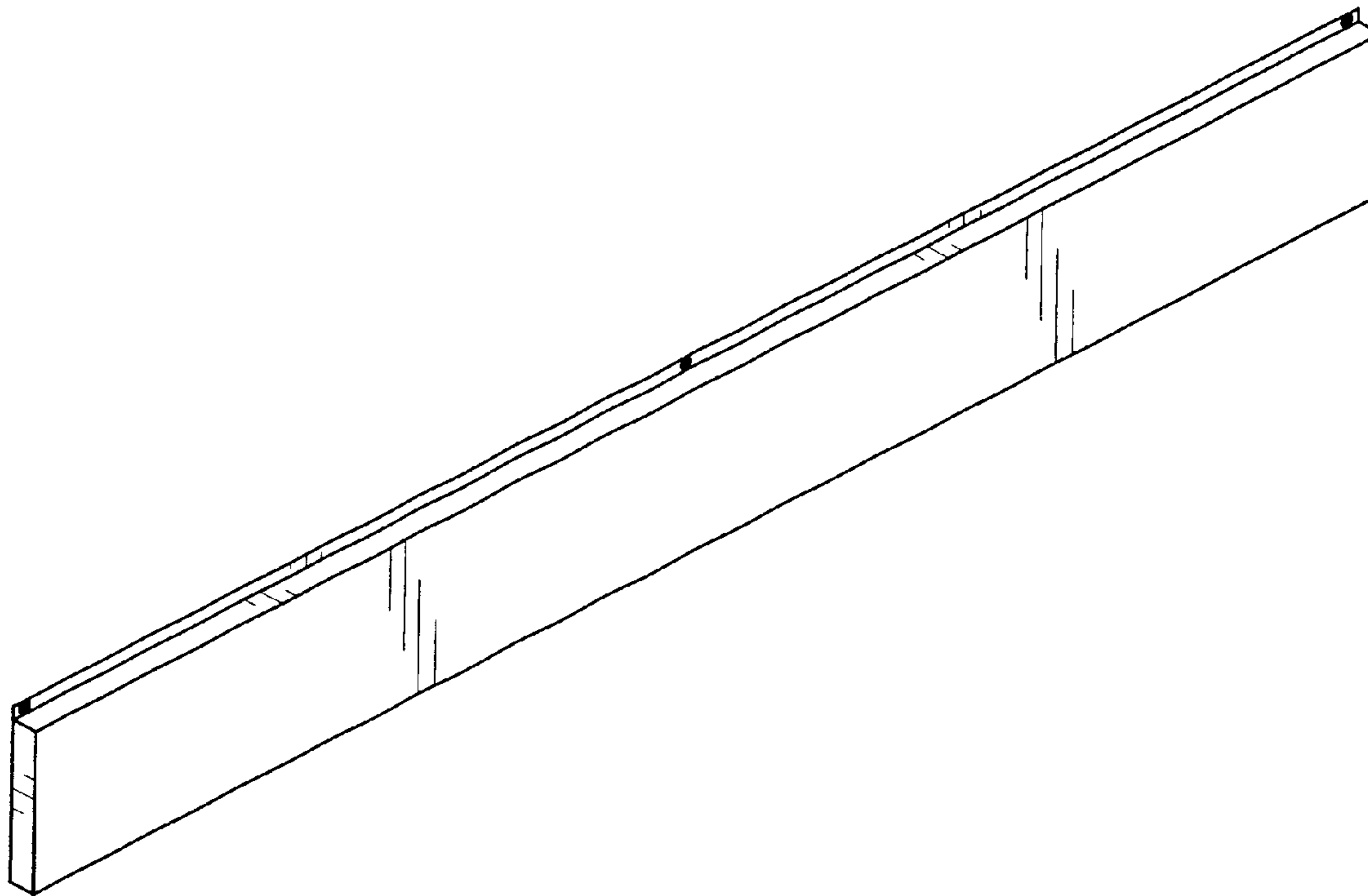


FIG. 1

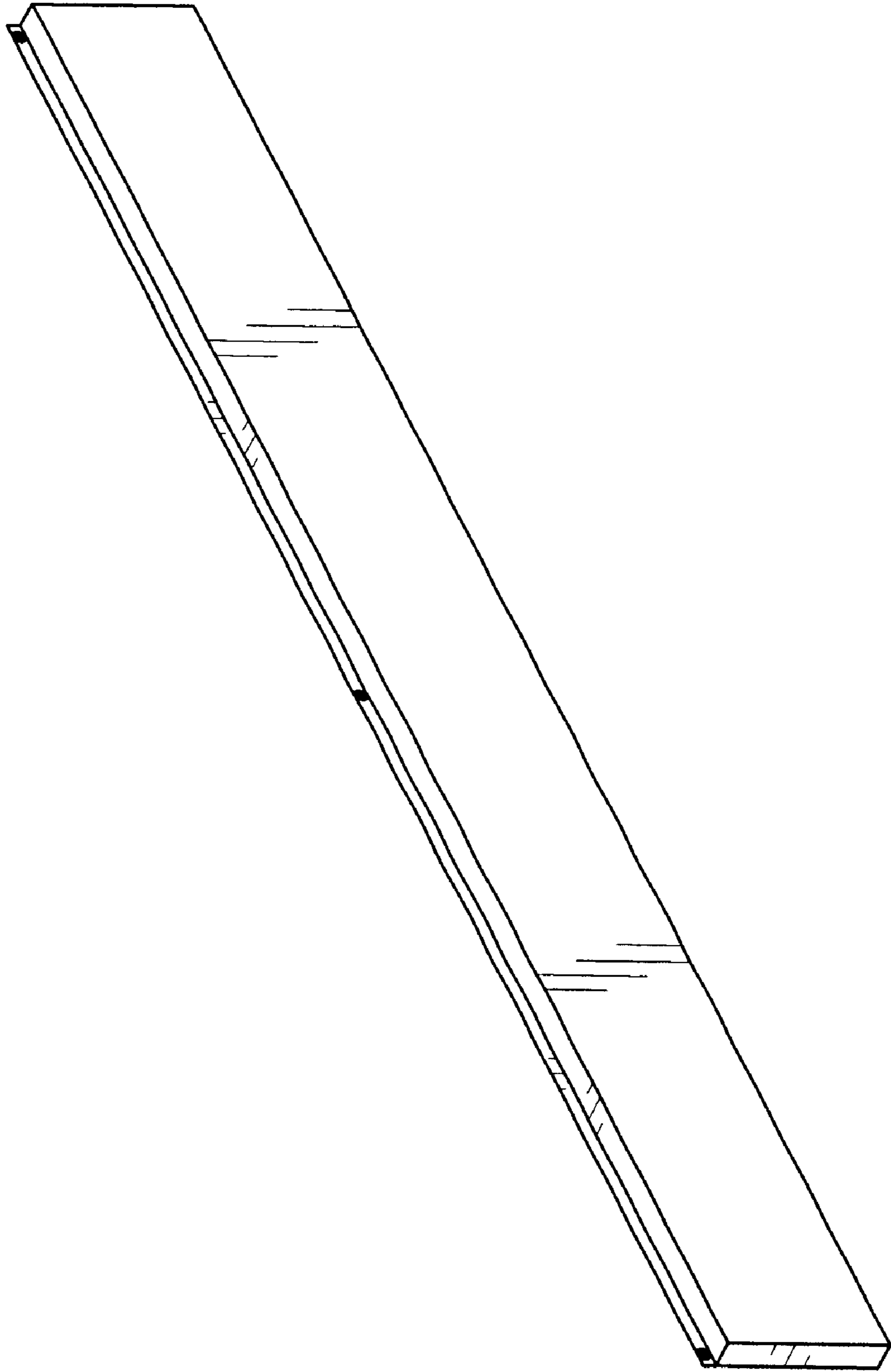


FIG. 2

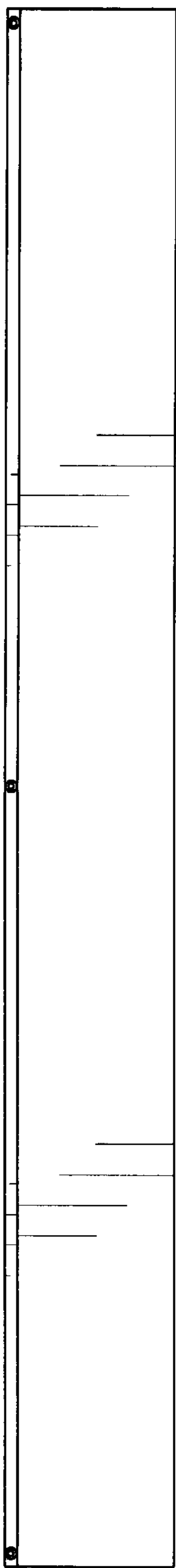


FIG. 6

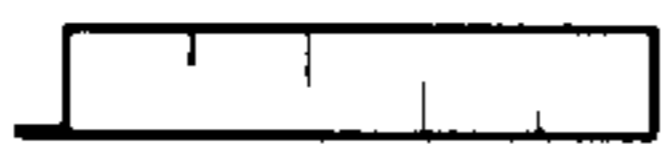


FIG. 4

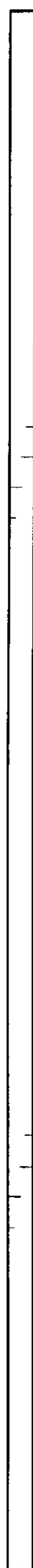


FIG. 3

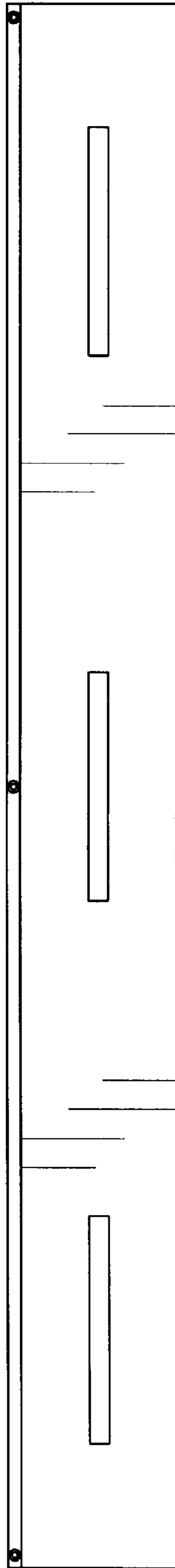


FIG. 5

