



US00D487316S

(12) **United States Design Patent**
Suwanda et al.

(10) **Patent No.:** **US D487,316 S**
(45) **Date of Patent:** **** Mar. 2, 2004**

(54) **BOARD SECTION**

5,758,467 A * 6/1998 Snear et al. 52/588.1
D455,843 S * 4/2002 Albany et al. D25/138

(75) Inventors: **Dedo Suwanda**, Mississauga (CA);
Vincent Weixing Zhou, Pickering (CA)

* cited by examiner

(73) Assignee: **CRF Technology Group Ltd.**, Ontario
(CA)

Primary Examiner—Doris Clark

(**) Term: **14 Years**

(74) *Attorney, Agent, or Firm*—Brian C. McCormack;
Baker & McKenzie

(21) Appl. No.: **29/165,002**

(22) Filed: **Aug. 2, 2002**

(30) **Foreign Application Priority Data**

Feb. 4, 2002 (CA) 2002-0298

(51) **LOC (7) Cl.** **25-01**

(52) **U.S. Cl.** **D25/138**

(58) **Field of Search** 52/579, 574, 580,
52/588.1, 590.1, 590.2, 578; D25/138, 119,
164

(56) **References Cited**

U.S. PATENT DOCUMENTS

3,679,531 A * 7/1972 Wienand et al. 52/588.1

(57) **CLAIM**

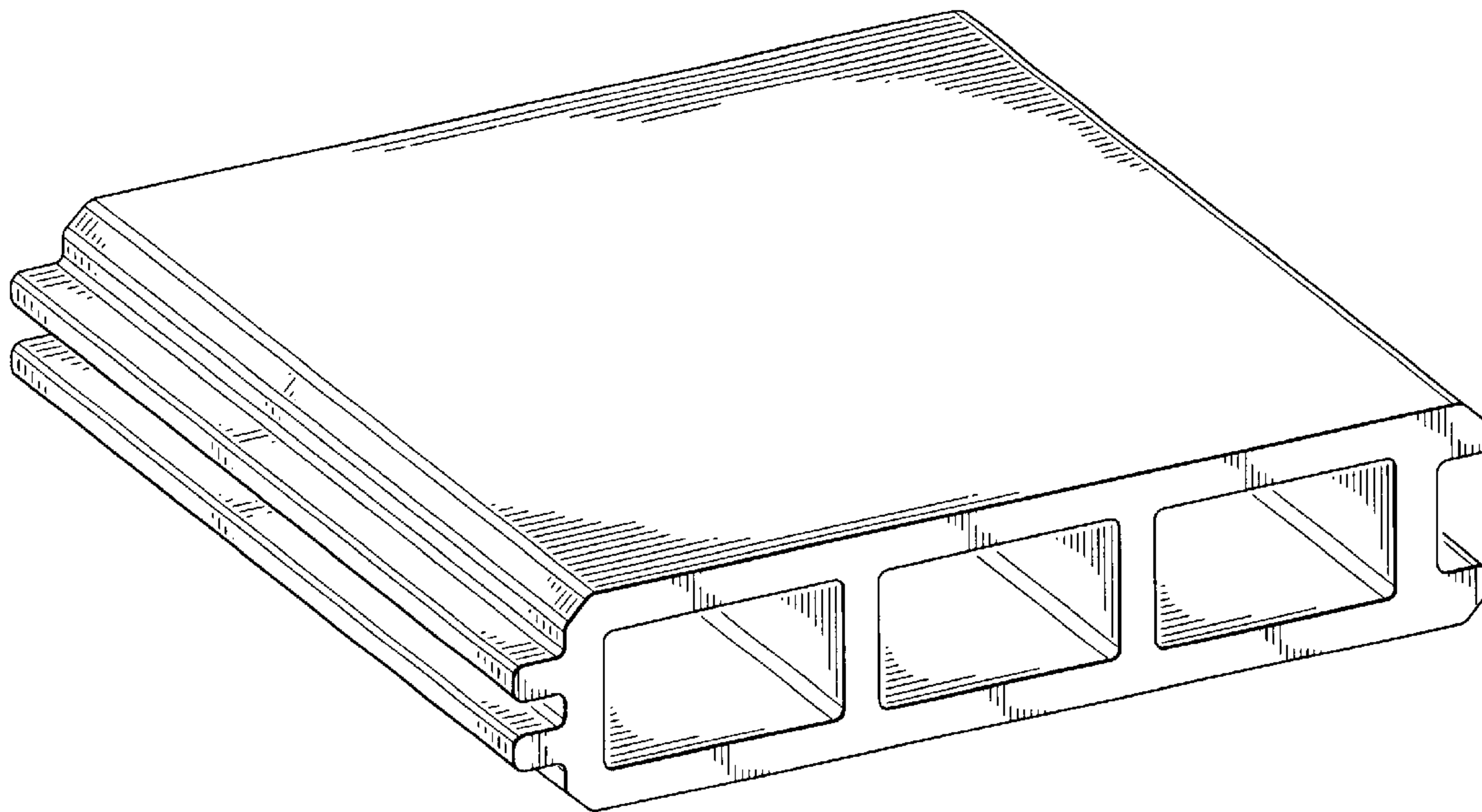
The ornamental design for a board section, as shown and described.

DESCRIPTION

FIG. 1 is a perspective view from the top and one end of the board section embodying the design; and,

FIG. 2 is an end elevational view of the board section embodying the design.

1 Claim, 1 Drawing Sheet



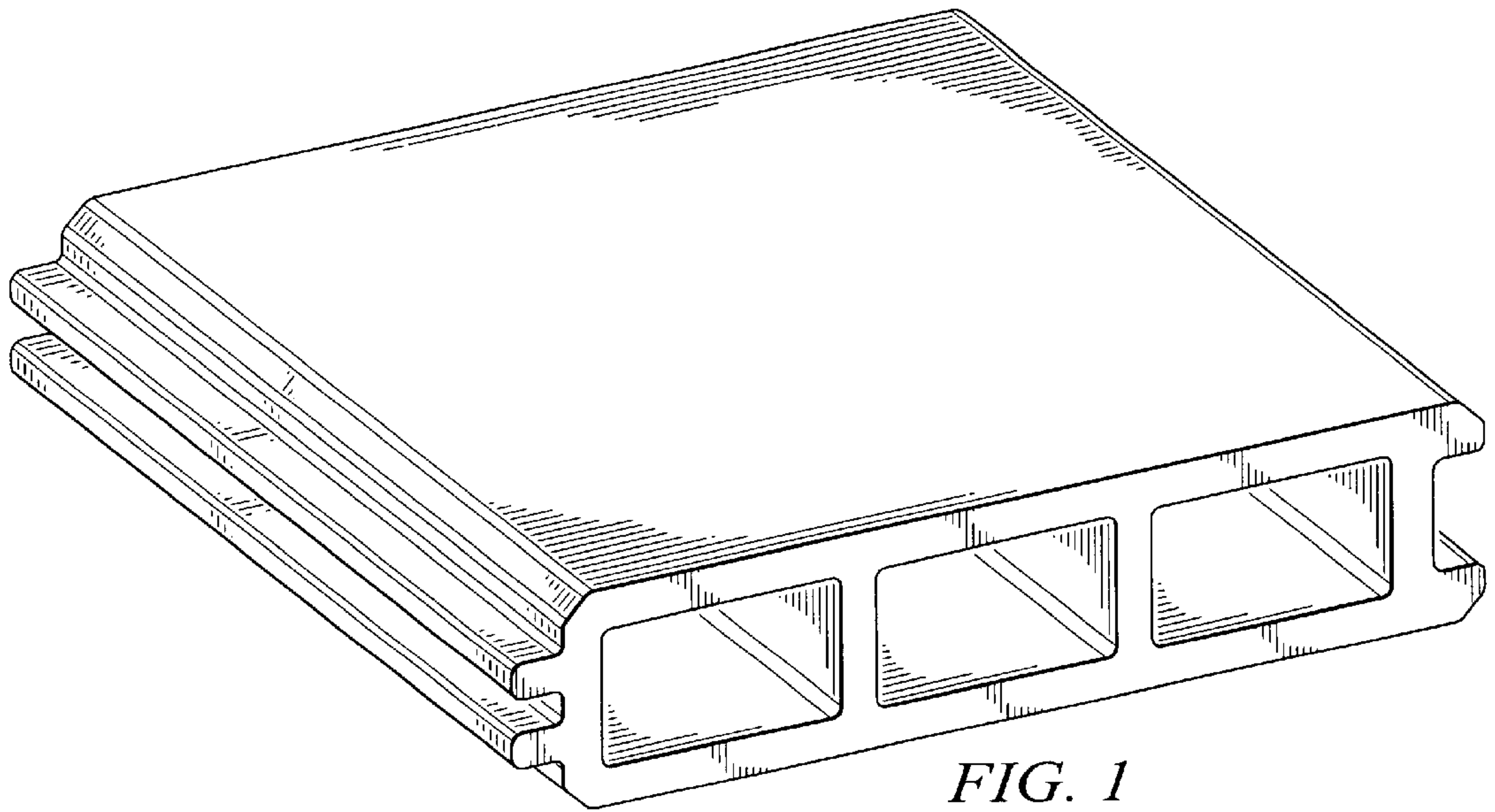


FIG. 1

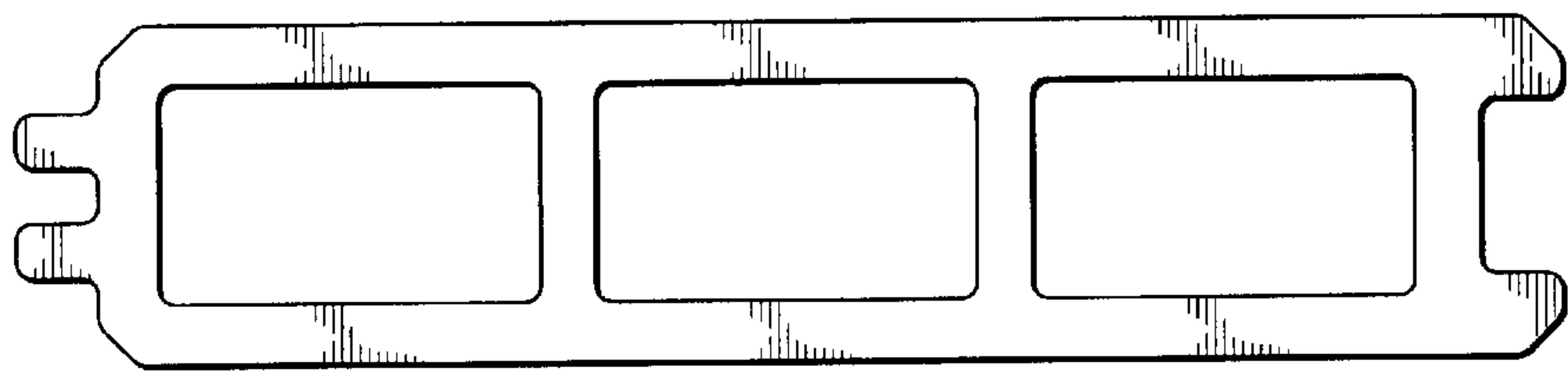


FIG. 2