



US00D487315S

(12) **United States Design Patent**
Picot et al.

(10) **Patent No.:** **US D487,315 S**

(45) **Date of Patent:** **** Mar. 2, 2004**

(54) **STERILIZING CONTAINER**

(75) Inventors: **Daniel Picot**, Buehl (DE); **Gilles Thevenot**, Baden-Baden (DE)

(73) Assignee: **Aesculap AG & Co. KG**, Tuttlingen (DE)

(**) Term: **14 Years**

(21) Appl. No.: **29/174,422**

(22) Filed: **Jan. 17, 2003**

Related U.S. Application Data

(62) Division of application No. 29/160,791, filed on May 15, 2002.

(30) **Foreign Application Priority Data**

Nov. 16, 2001 (WO) DM/058 318

(51) **LOC (7) Cl.** **24-01**

(52) **U.S. Cl.** **D24/217**

(58) **Field of Search** D24/217; 422/297, 422/301, 298, 300; 206/438, 363, 369, 439, 366, 370, 367

(56) **References Cited**

U.S. PATENT DOCUMENTS

5,508,006 A * 4/1996 Gabele et al. 422/297

D371,203 S * 6/1996 Deeds D24/217
6,077,485 A * 6/2000 Baker 422/300
6,319,481 B1 * 11/2001 Banks 422/300

OTHER PUBLICATIONS

Aesculap AG & Co. KG catalog entitled "Sterilcontainer System", May 2000.

* cited by examiner

Primary Examiner—Ian Simmons

(74) *Attorney, Agent, or Firm*—Barry R. Lipsitz; Douglas M. McAllister

(57) **CLAIM**

The ornamental design for a sterilizing container, as shown and described.

DESCRIPTION

FIG. 1 is a perspective view of a sterilizing container showing our new design;

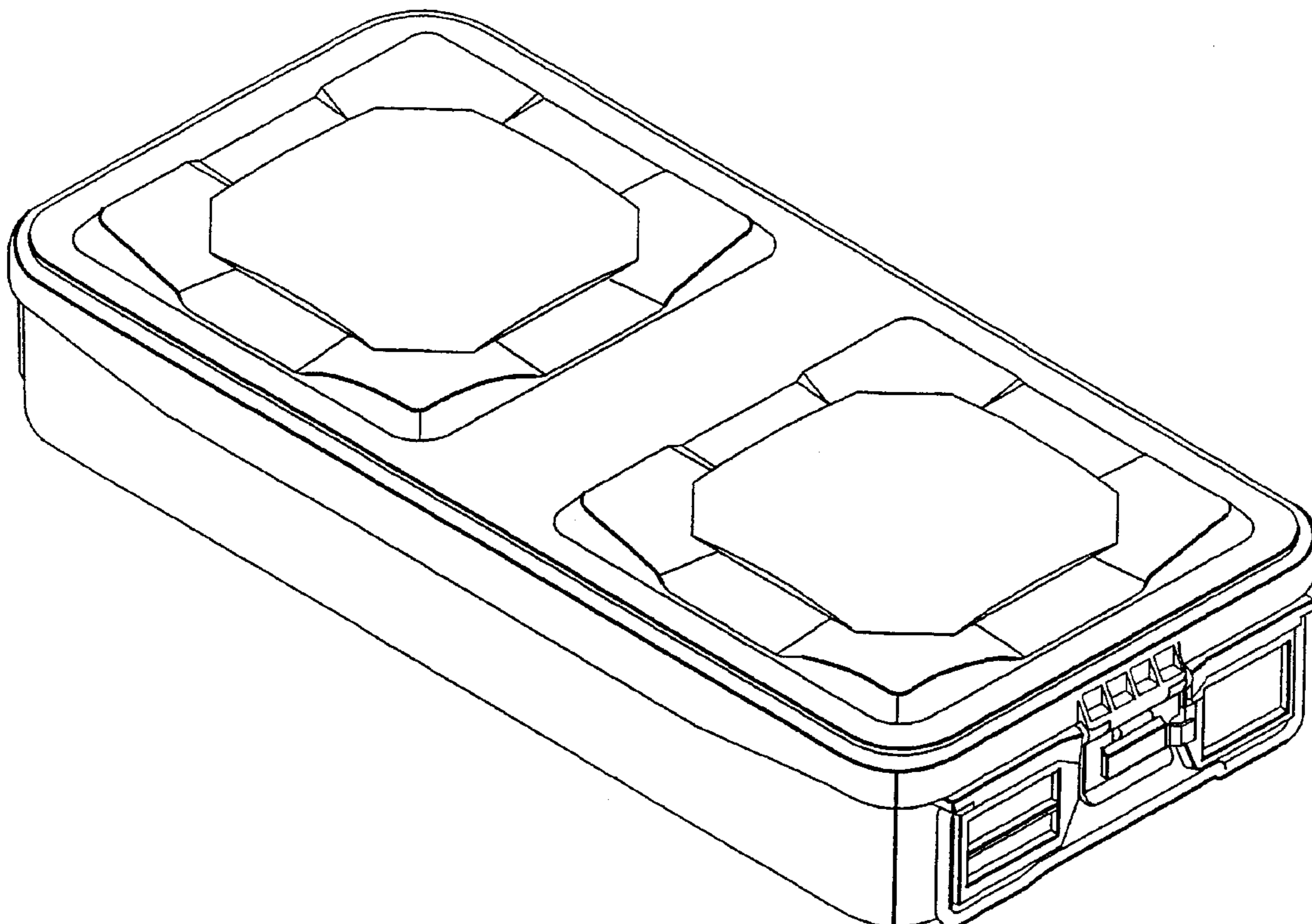
FIG. 2 is a top view thereof;

FIG. 3 is a front elevational view thereof, the rear elevational view being identical thereto;

FIG. 4 is a right side view thereof, the left side view being identical thereto; and,

FIG. 5 is a bottom plan view thereof.

1 Claim, 3 Drawing Sheets



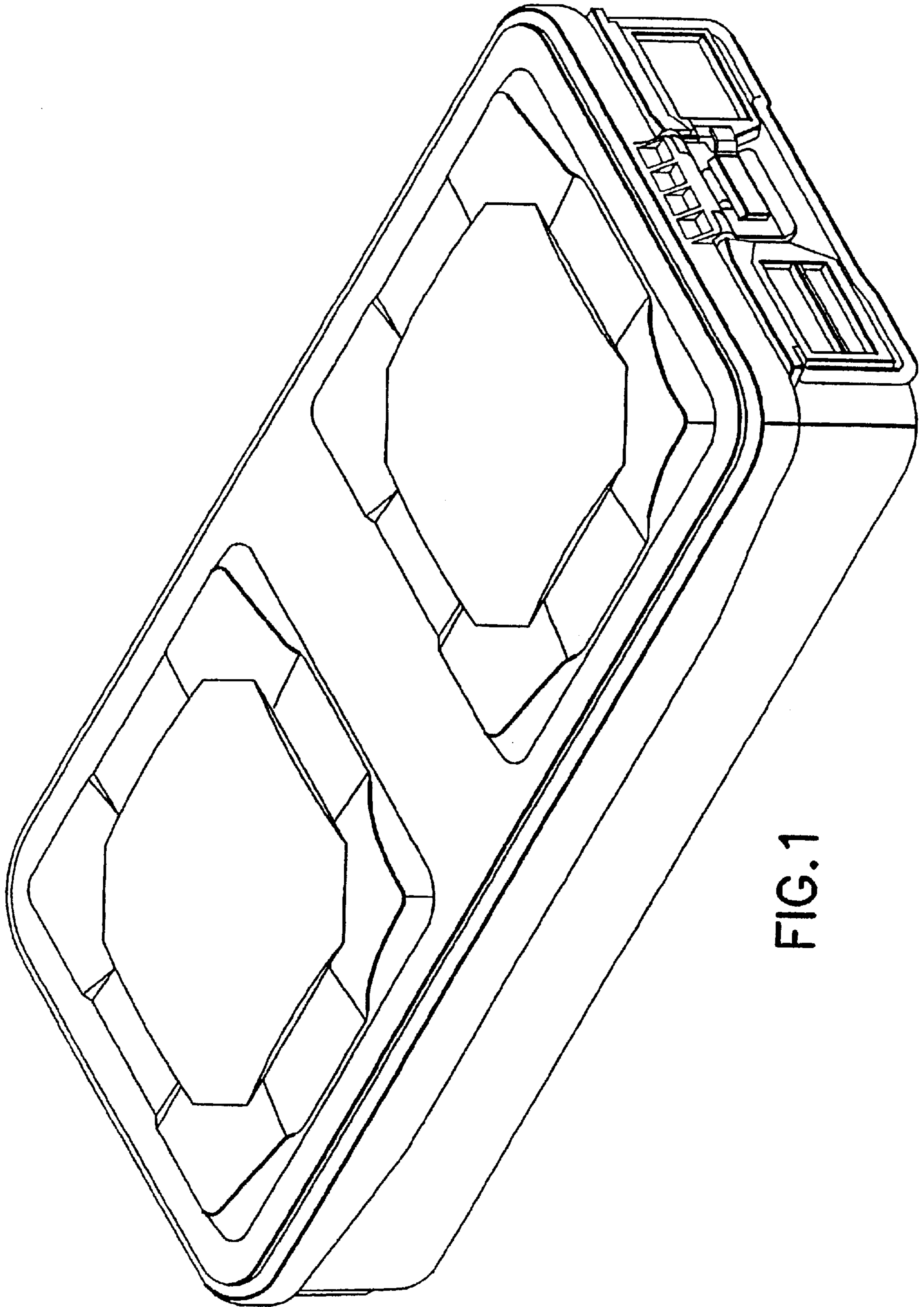


FIG.1

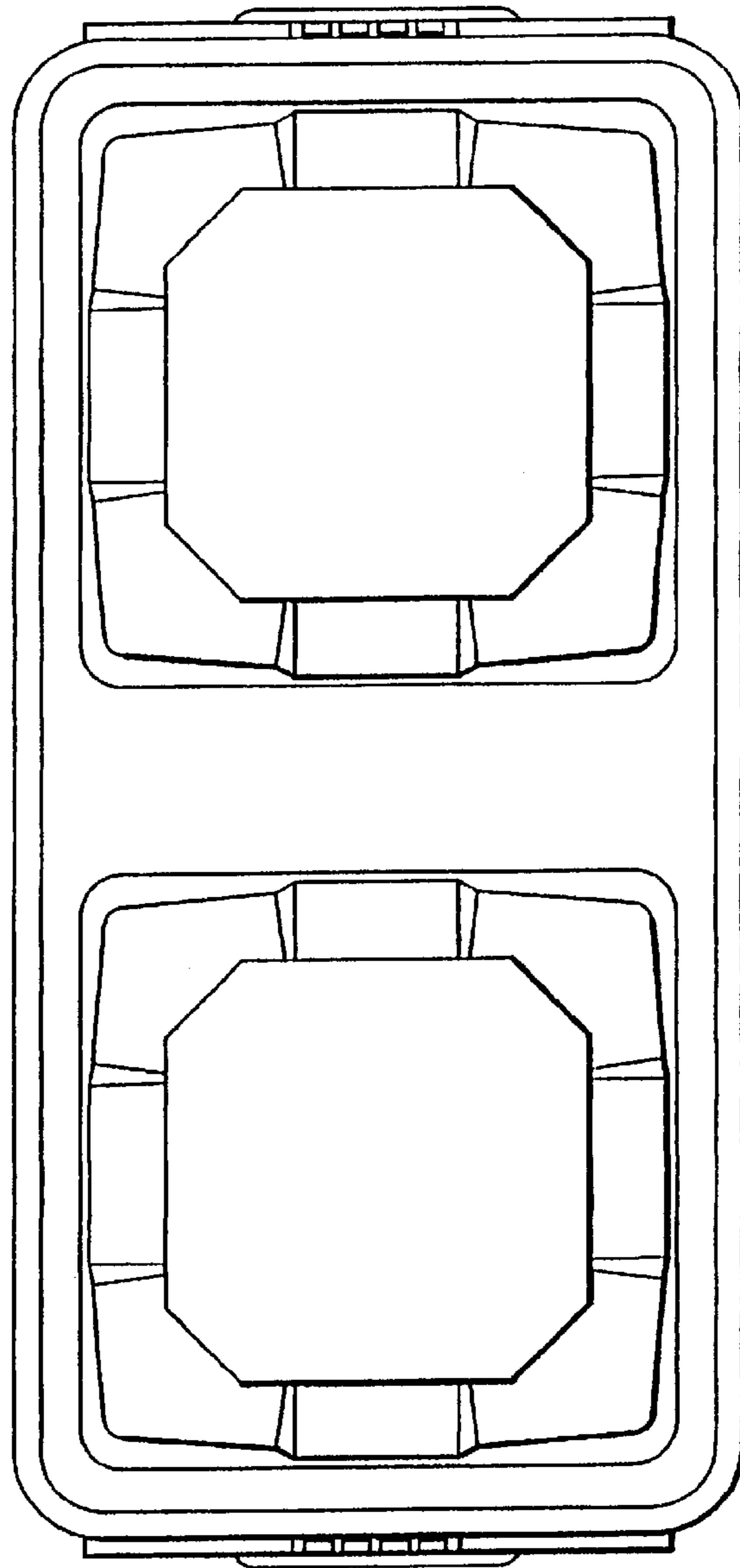


FIG. 2

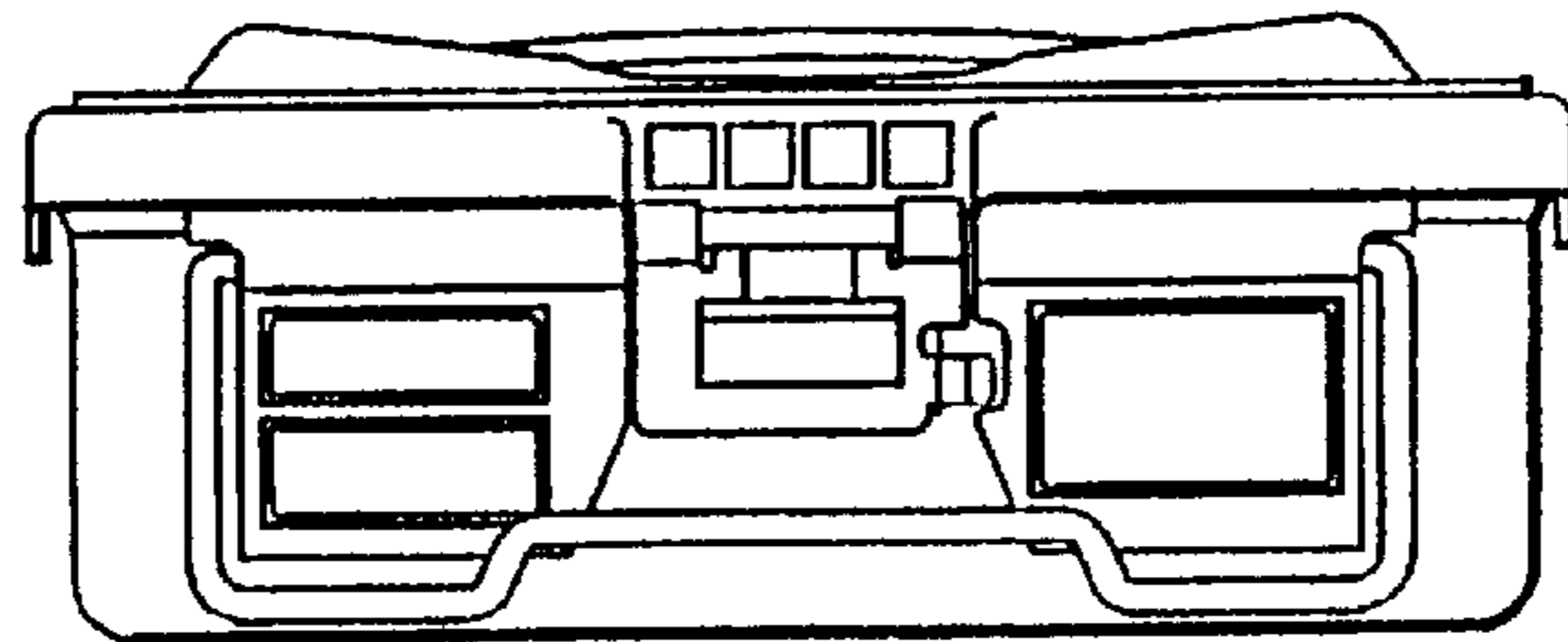


FIG. 3

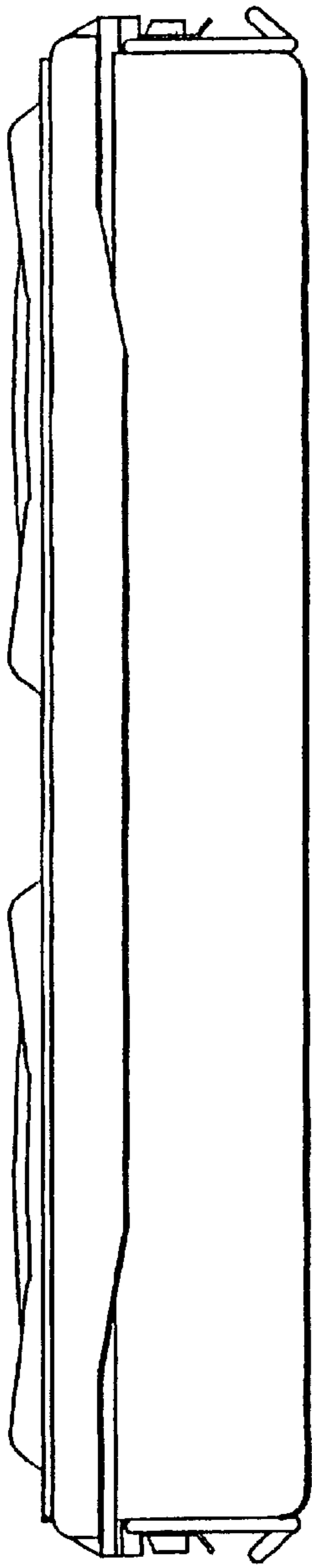


FIG. 4

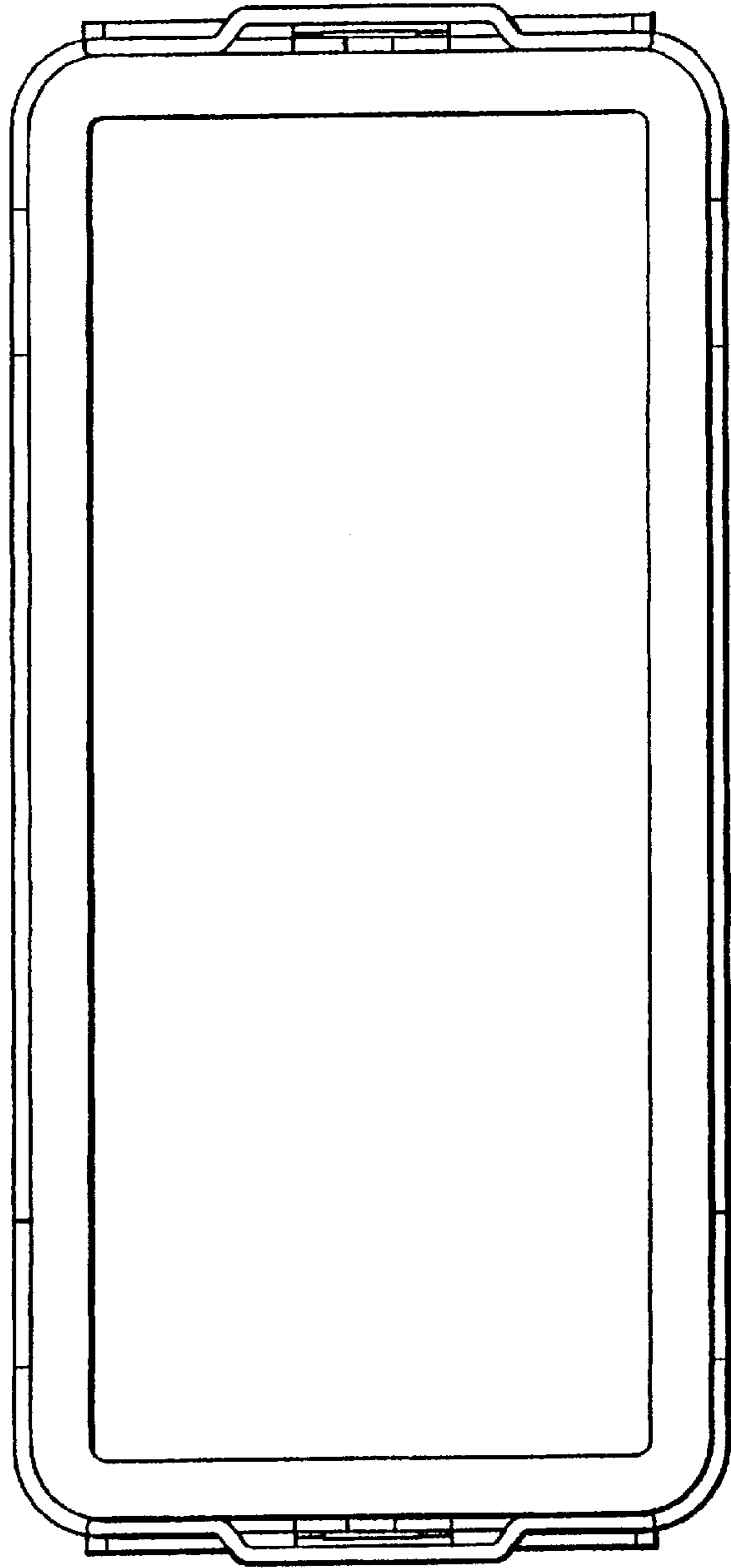


FIG. 5