



US00D487310S

(12) **United States Design Patent**  
**Li et al.**

(10) **Patent No.:** **US D487,310 S**

(45) **Date of Patent:** **\*\* Mar. 2, 2004**

(54) **FAN CASING WITH AIR FLOW RIB STRUCTURE**

(75) Inventors: **Nien-Lun Li**, Hsin-Chuang (TW);  
**Fu-Yin Wang**, Hsin-Chuang (TW);  
**Yu-Hsun Chou**, Hsin-Chuang (TW)

(73) Assignee: **Datech Technology Co., Ltd.**, Taipei  
Hsien (TW)

(\*\*) Term: **14 Years**

(21) Appl. No.: **29/183,775**

(22) Filed: **Jun. 18, 2003**

(51) **LOC (7) Cl.** ..... **23-04**

(52) **U.S. Cl.** ..... **D23/411**

(58) **Field of Search** ..... D23/411, 379,  
D23/370; 165/122, 80.3, 121; 454/184;  
361/695, 697

(56) **References Cited**

**U.S. PATENT DOCUMENTS**

- 5,335,722 A \* 8/1994 Wu ..... 165/122
- D461,238 S \* 8/2002 Horng ..... D23/411
- 6,493,225 B2 \* 12/2002 Chuang et al. .... 361/695

\* cited by examiner

*Primary Examiner*—Lisa Lichtenstein  
(74) *Attorney, Agent, or Firm*—Troxell Law Office PLLC

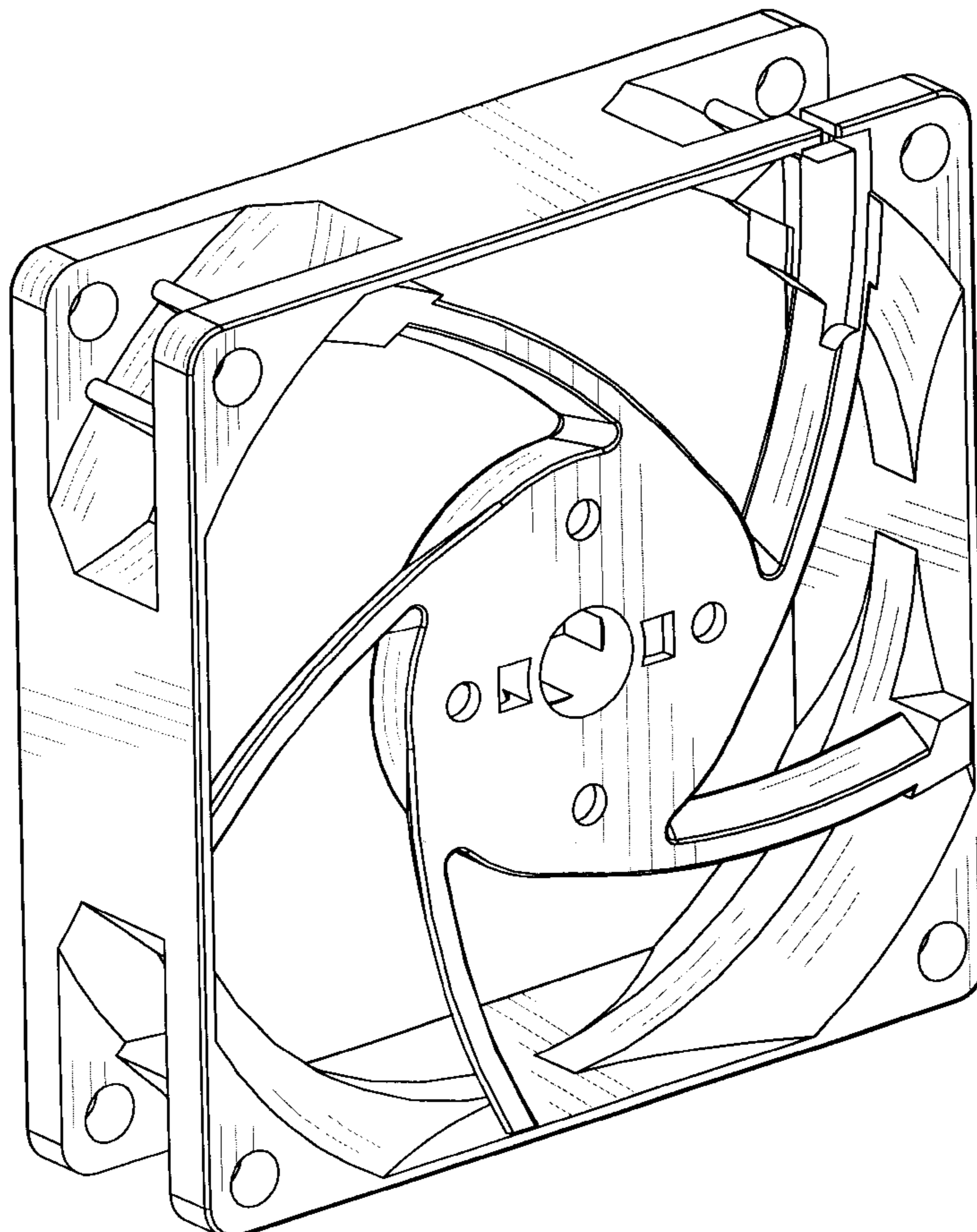
(57) **CLAIM**

The ornamental design for a fan casing with air flow rib structure, as shown and described.

**DESCRIPTION**

FIG. 1 is a perspective view of a fan casing with air flow rib structure, in accordance with the present invention;  
 FIG. 2 is a front elevational view thereof;  
 FIG. 3 is a rear elevational view thereof;  
 FIG. 4 is a left side elevational view thereof;  
 FIG. 5 is a right side elevational view thereof;  
 FIG. 6 is a top plan view thereof;  
 FIG. 7 is a bottom plane view thereof;  
 FIG. 8 is a cross-sectional view taken along the line 8—8 in FIG. 3;  
 FIG. 9 is a cross-sectional view taken along the line 9—9 in FIG. 3; and,  
 FIG. 10 is an enlarged cross-sectional view taken along the line 10—10 in FIG. 3.

**1 Claim, 8 Drawing Sheets**



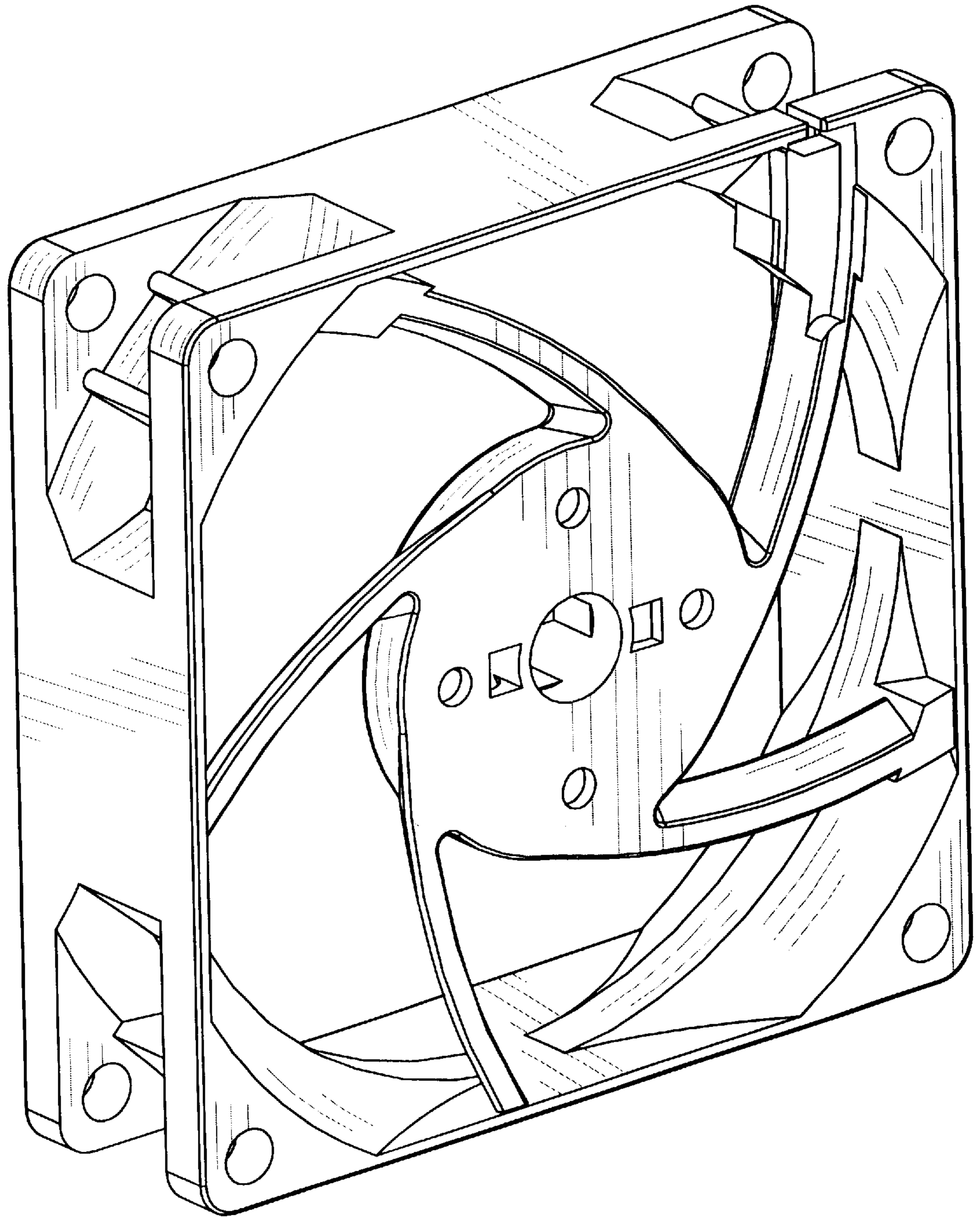


FIG. 1

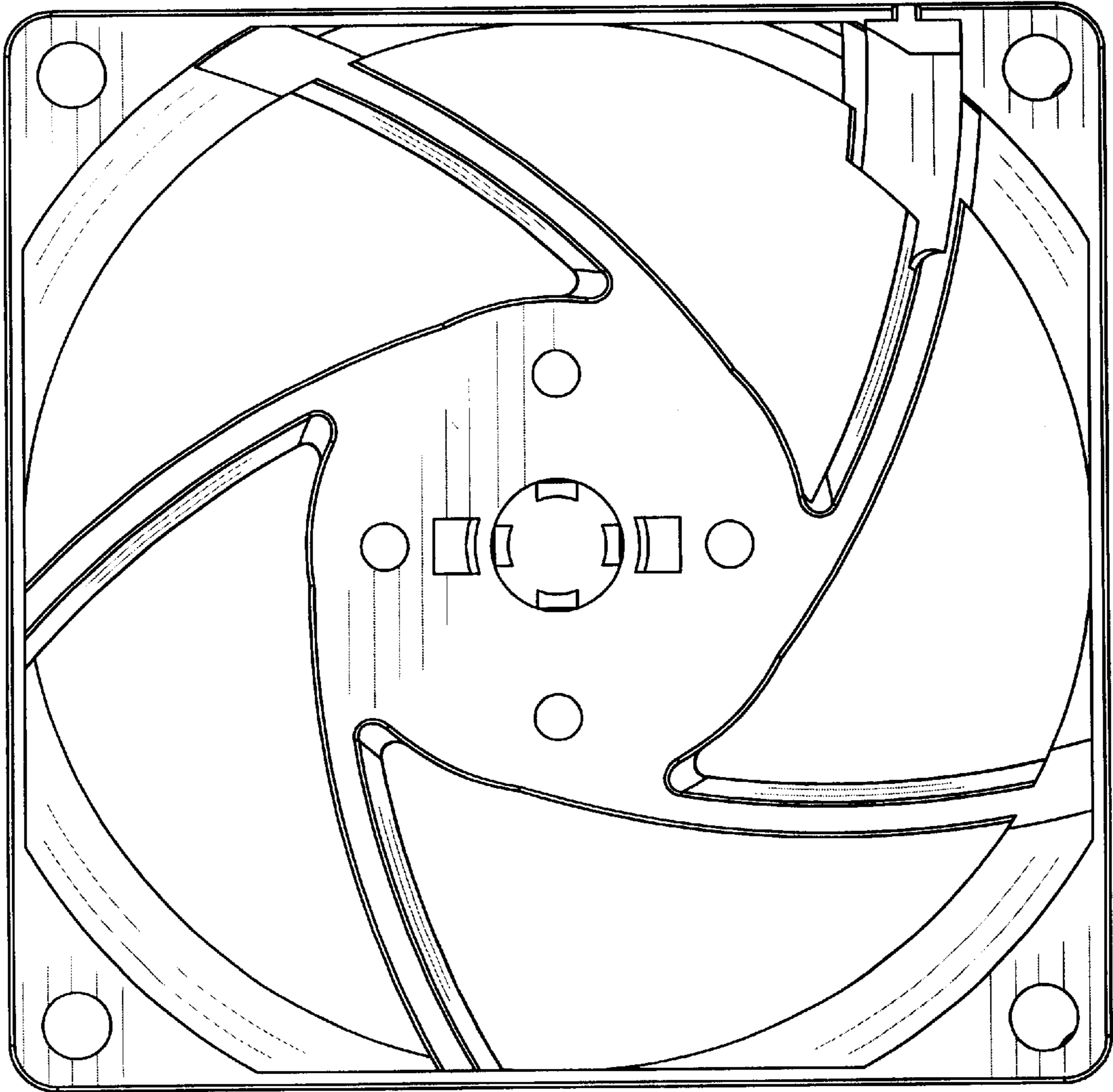


FIG. 2

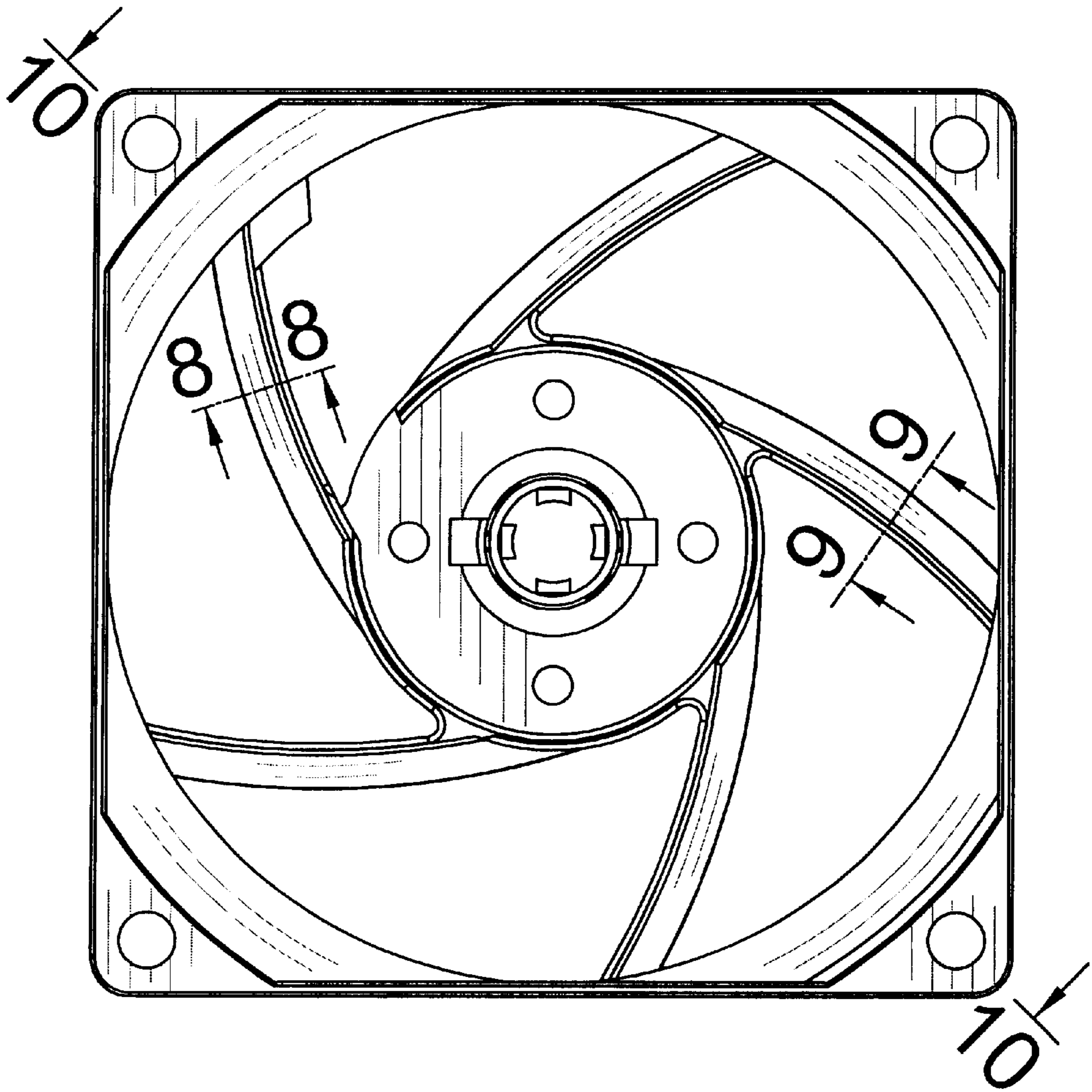


FIG. 3

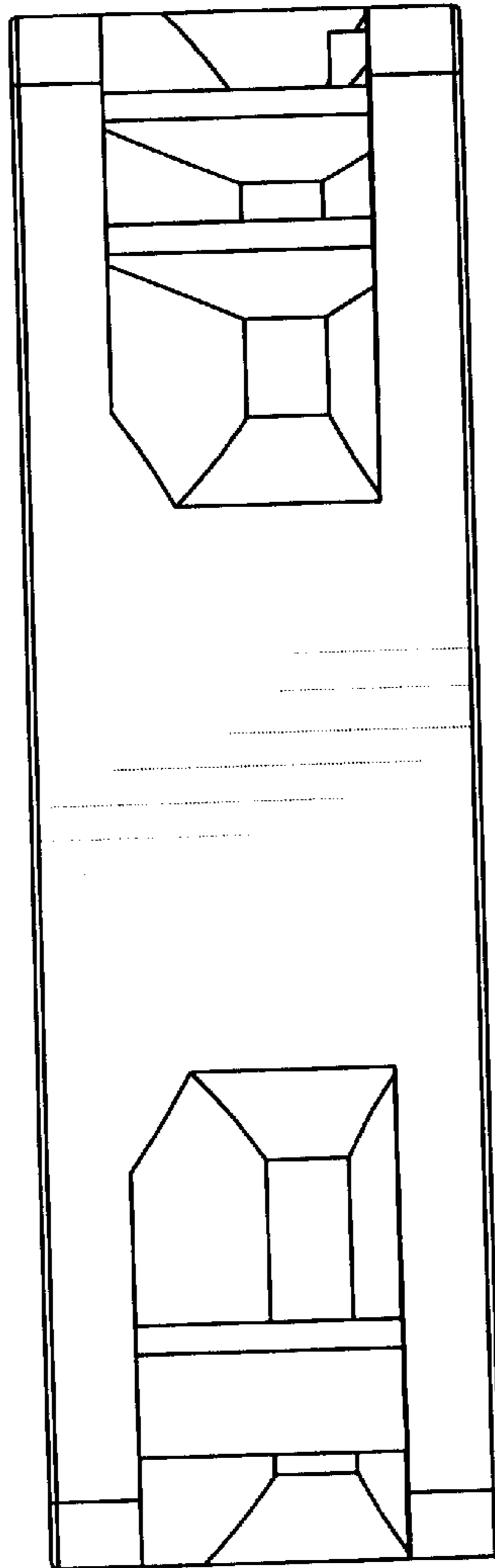


FIG. 4

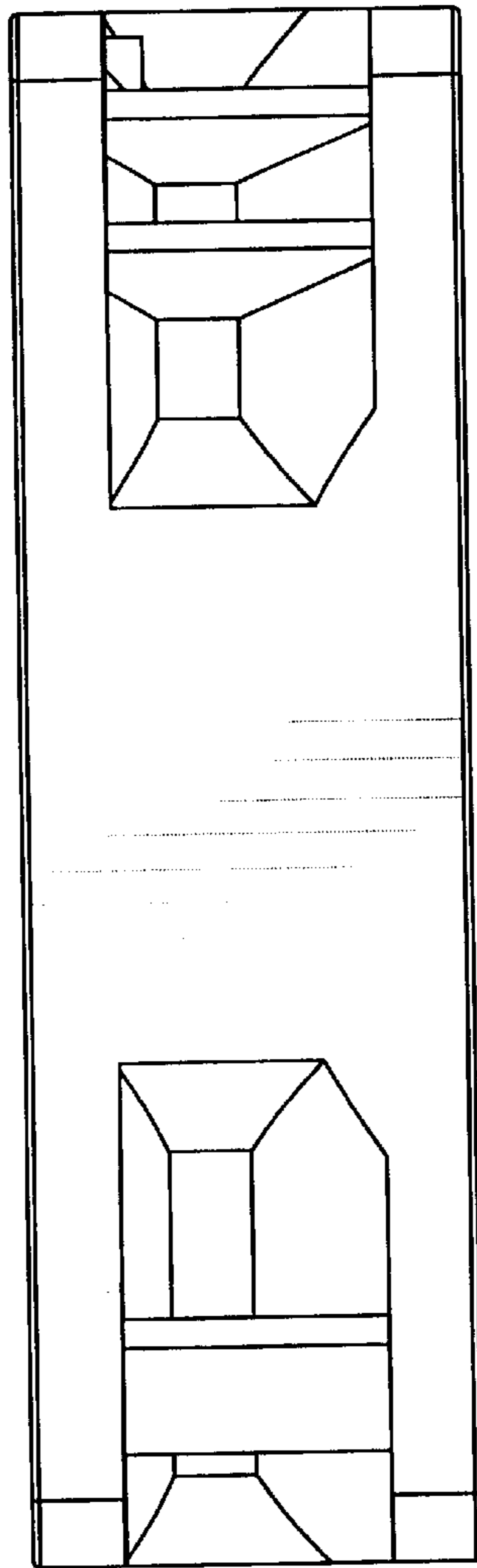


FIG. 5

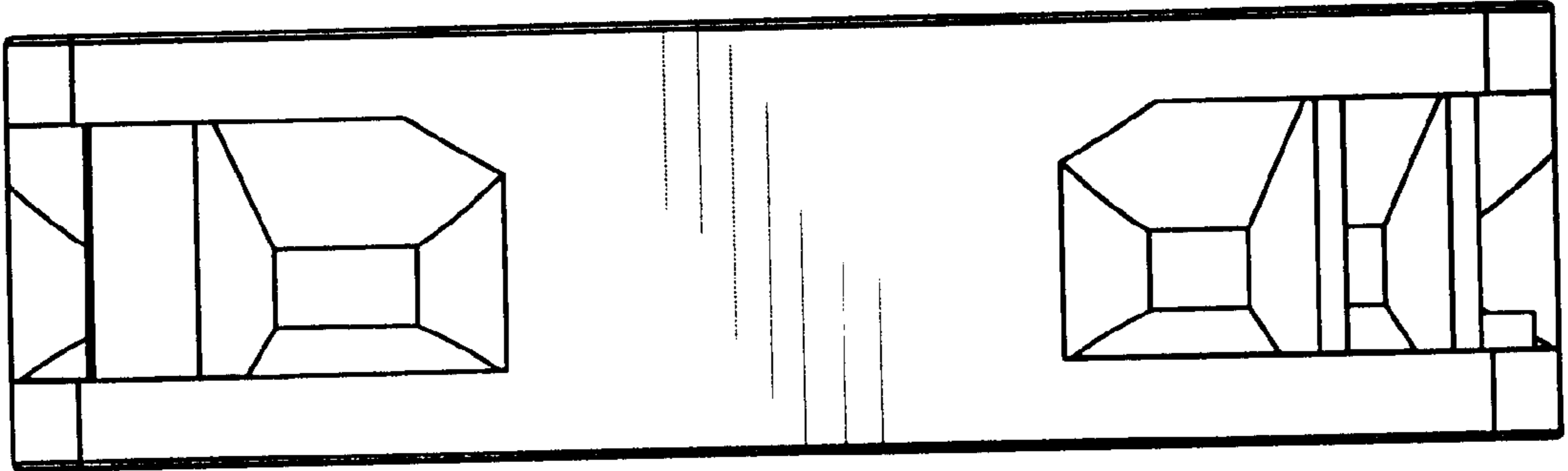


FIG. 6

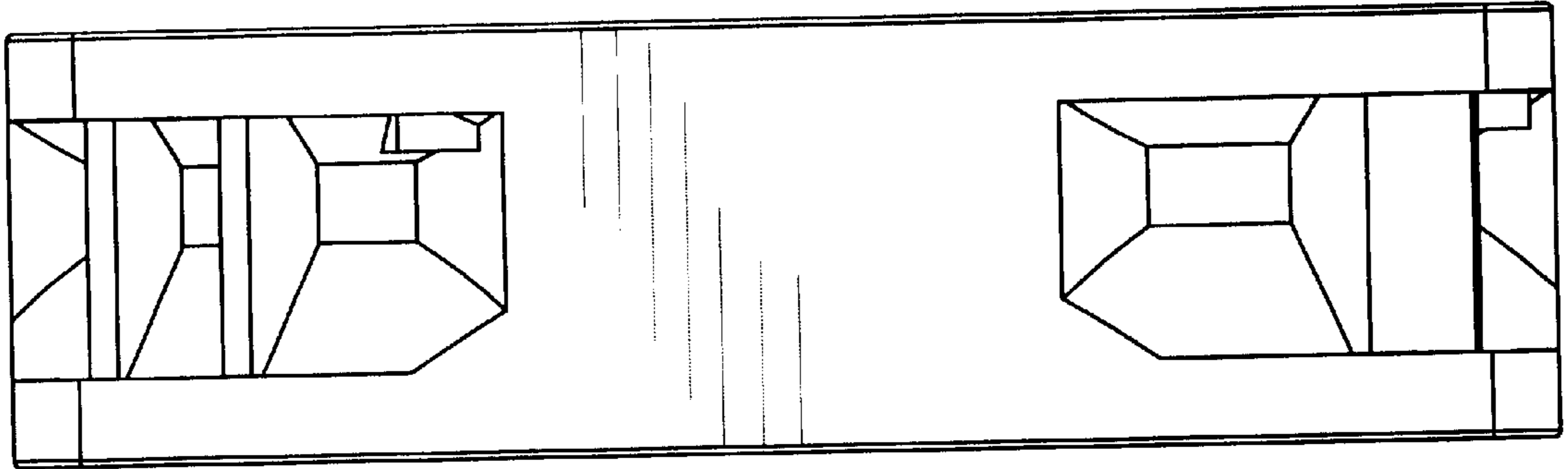


FIG. 7



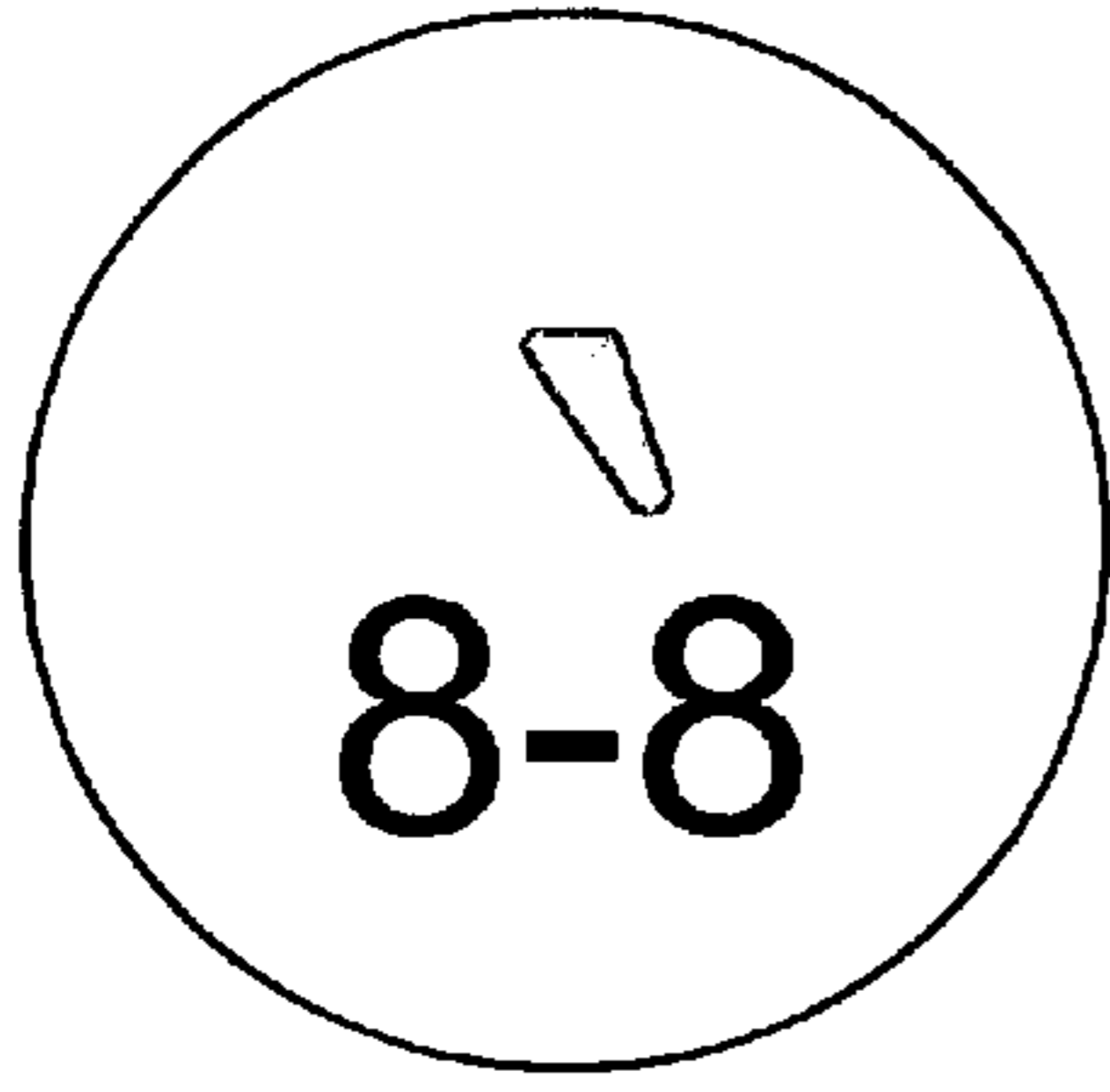


FIG. 8

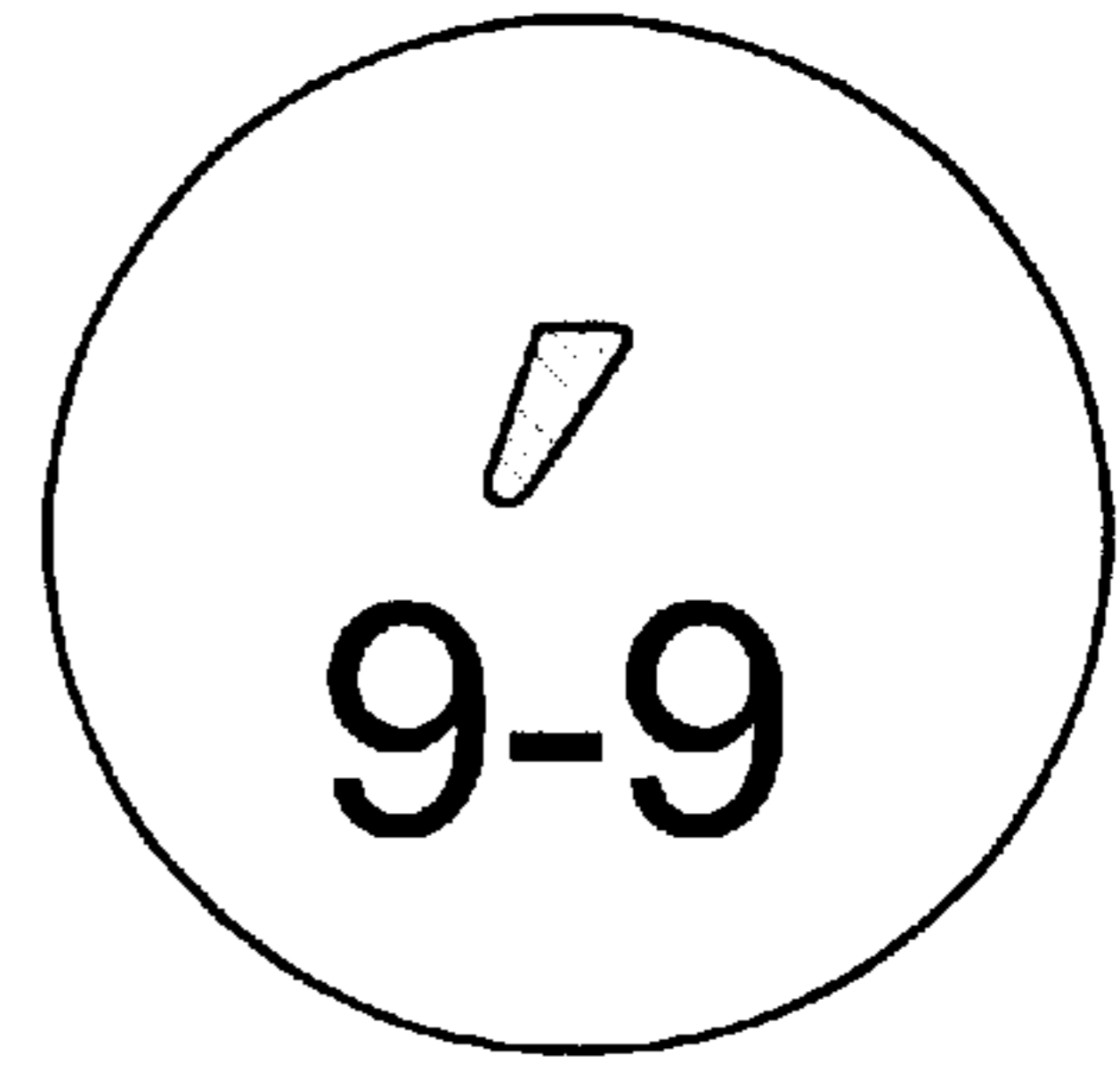
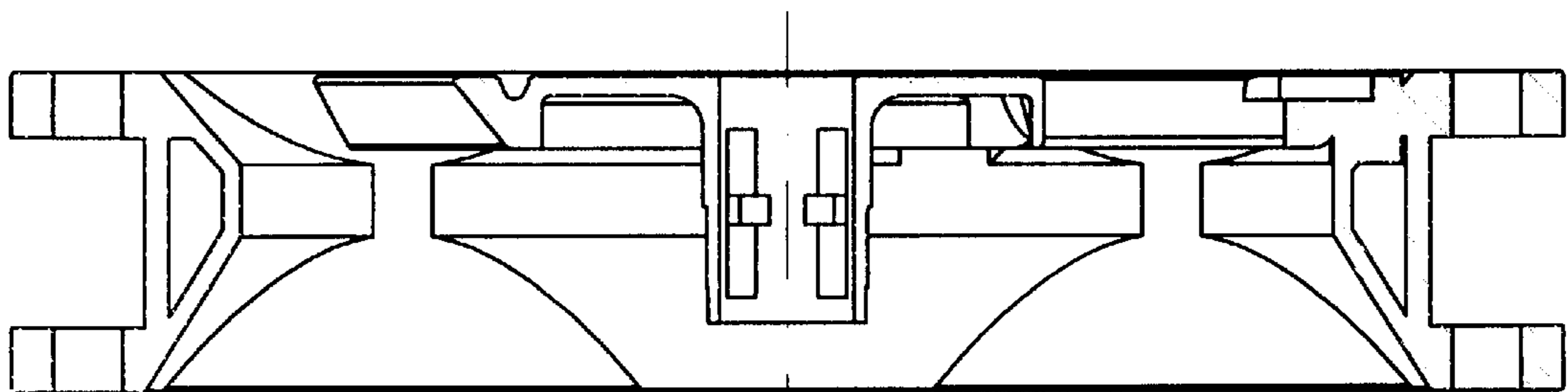


FIG. 9



10-10

FIG. 10