



US00D487309S

(12) **United States Design Patent**
Stauffer

(10) **Patent No.:** **US D487,309 S**

(45) **Date of Patent:** **** Mar. 2, 2004**

(54) **CEILING FAN LIGHT KIT**

(75) Inventor: **Michael J. Stauffer**, Memphis, TN (US)

(73) Assignee: **Hunter Fan Company**, Memphis, TN (US)

(**) Term: **14 Years**

(21) Appl. No.: **29/181,428**

(22) Filed: **May 8, 2003**

(51) **LOC (7) Cl.** **23-04**

(52) **U.S. Cl.** **D23/411; D26/59**

(58) **Field of Search** **D23/411, 377, D23/379, 385; D26/59, 72, 81-88; 392/364; 362/96**

(56) **References Cited**

PUBLICATIONS

Casablanca Fan Company 2002 Product Catalog p. 72 and 73 Glass Accessories, Center Glass, p. 68 New 2002 Light Fixtures, p. 66 Light Fixtures, p. 49 (LeGrande), p. 44 (Stealth), p. 33 (Panama).

Hunter Fan Company 2002 Brochure, Chandelle Light Fixtures, Outdoor Listed Light Fixtures, Energy Efficient Light Fixtures, Spotlight Fixtures, Low Profile Light Fixtures, Accessory Glass, Ceiling Fan Light Fixtures, Dual Use Light Fixtures, Tiffany Art Glass, Aurora Glass, 12" Lead Crystal, and 12" Bowl Light Fixtures.

Primary Examiner—Lisa Lichtenstein

(74) *Attorney, Agent, or Firm*—Baker Donelson

(57) **CLAIM**

The ornamental design for a ceiling fan light kit, as shown and described.

DESCRIPTION

FIG. 1 is a perspective view of a ceiling fan light kit showing my new design.

FIG. 2 is a rear view thereof.

FIG. 3 is a front view thereof.

FIG. 4 is a left side view thereof.

FIG. 5 is a right side view thereof.

FIG. 6 is a top view thereof; and,

FIG. 7 is a bottom view thereof.

The phantom lines are to indicate environment only and are not intended to form a part of the claimed design.

1 Claim, 4 Drawing Sheets

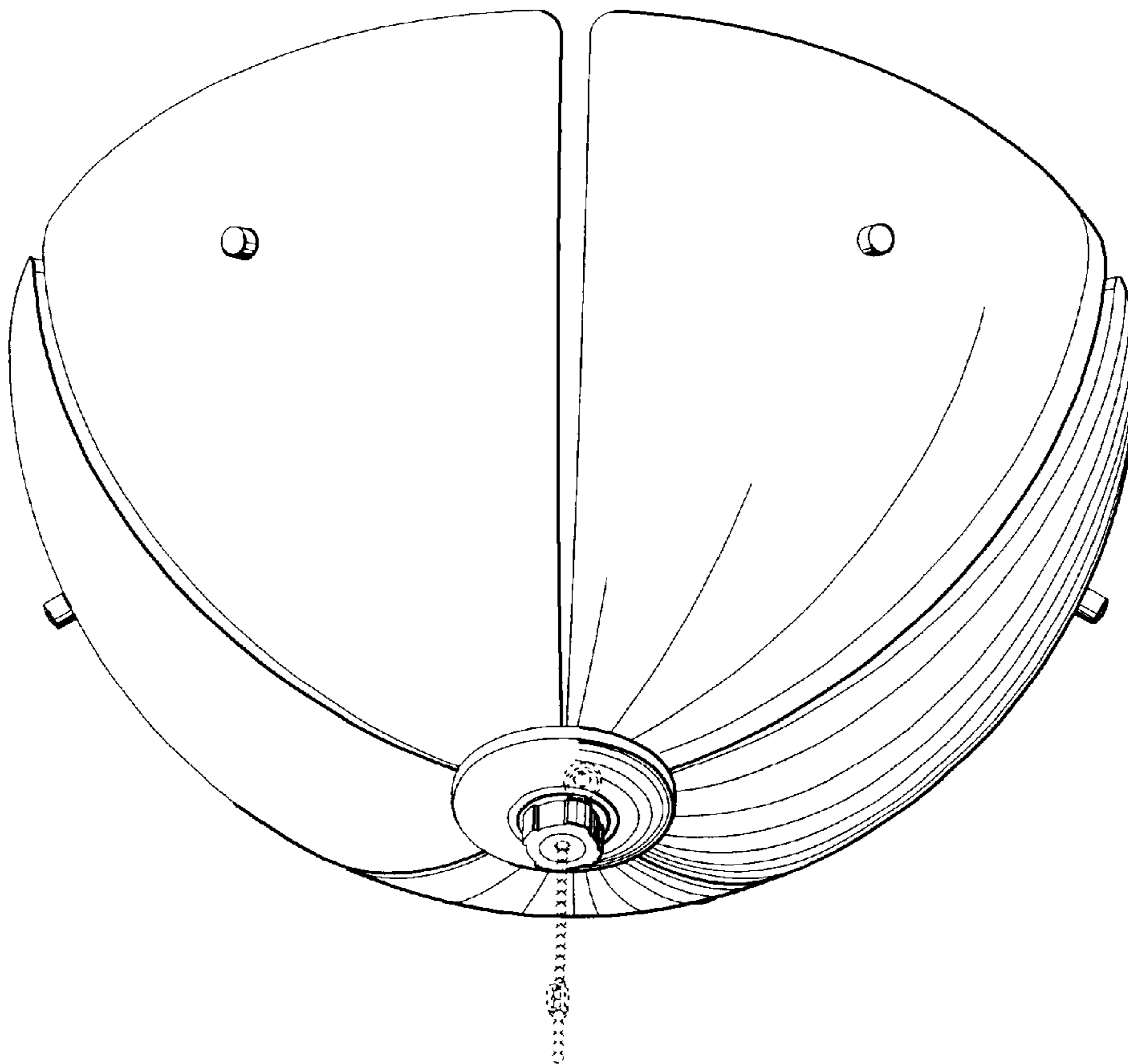


Fig. 1

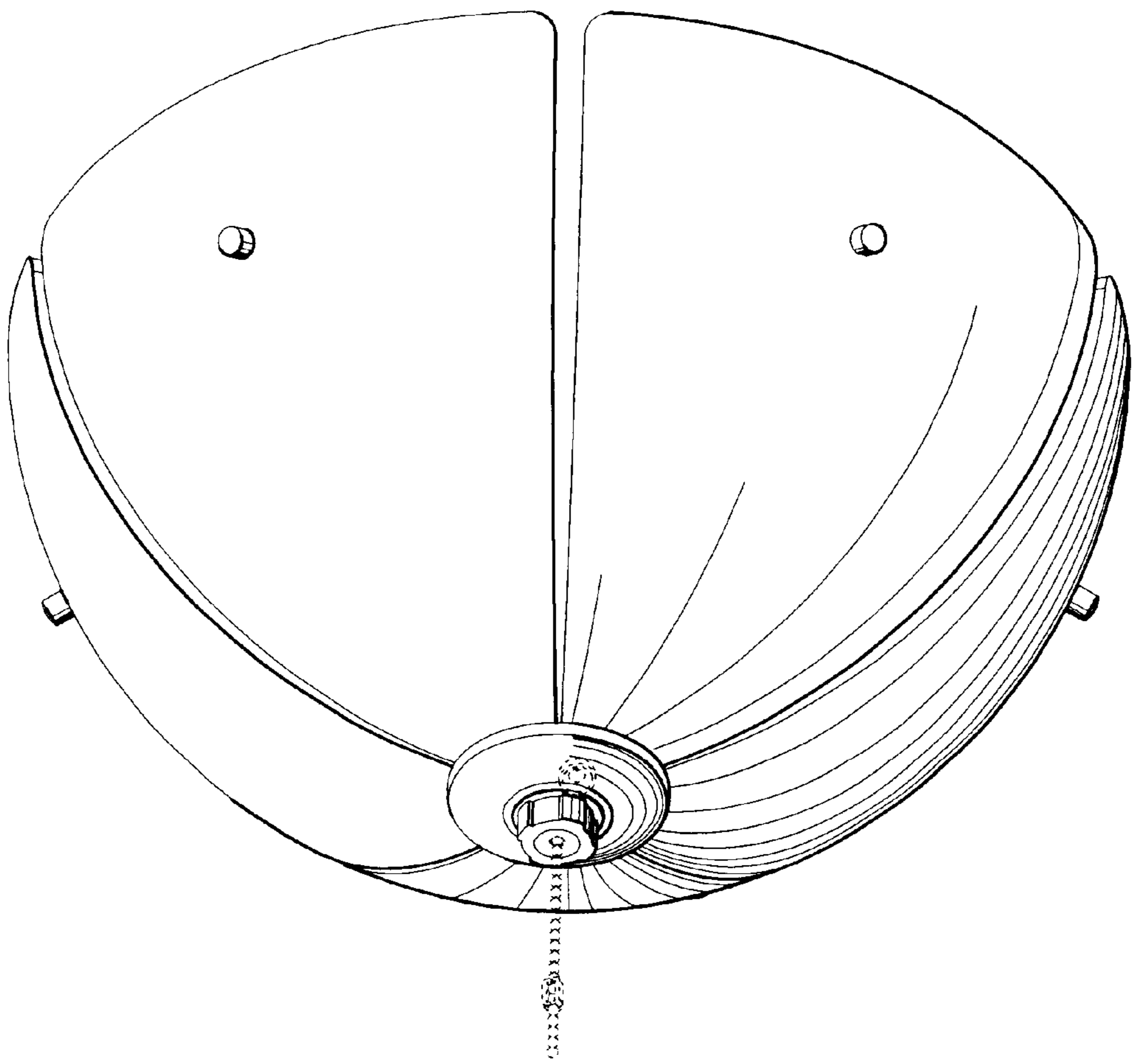


Fig. 2

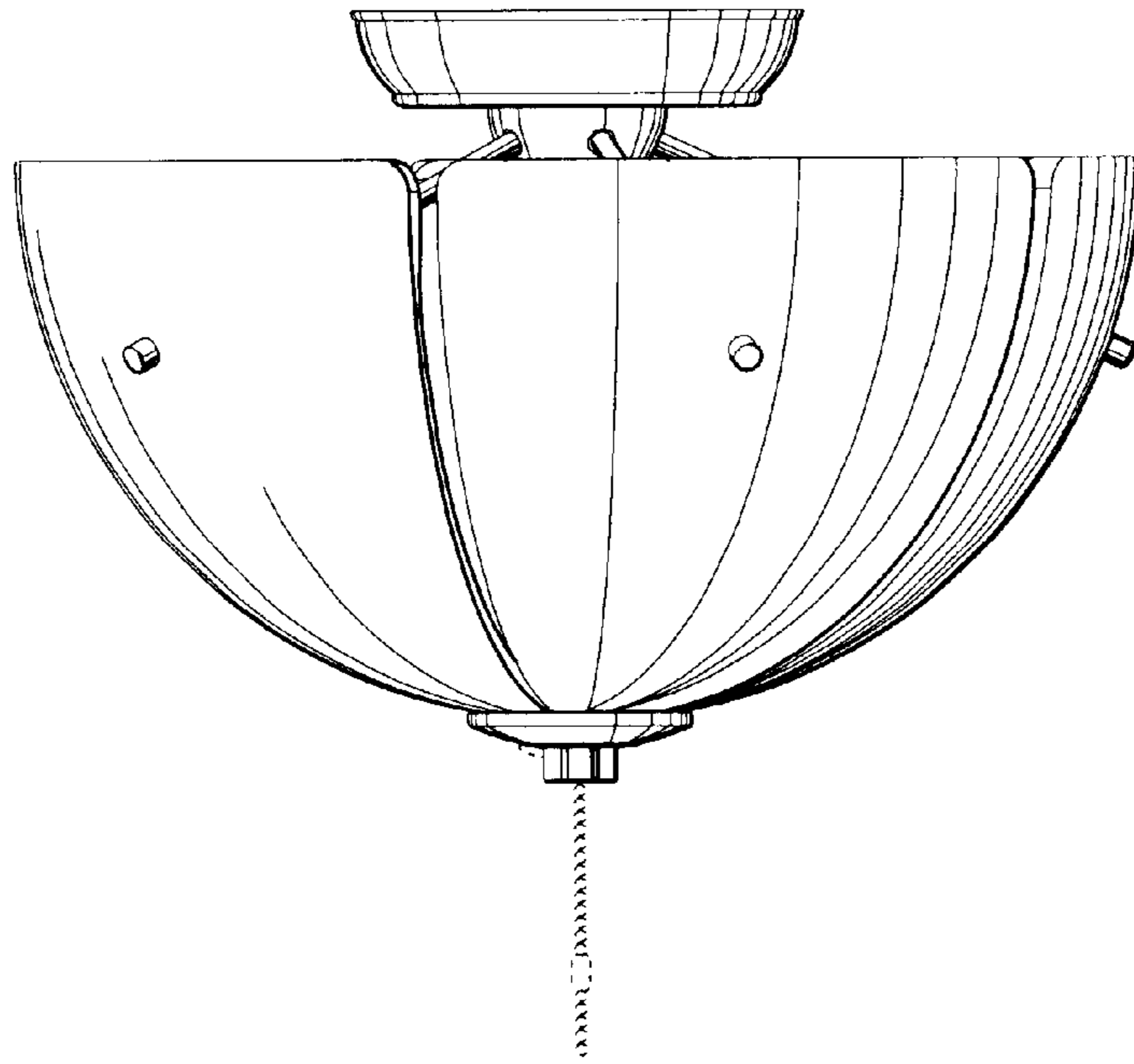


Fig. 3

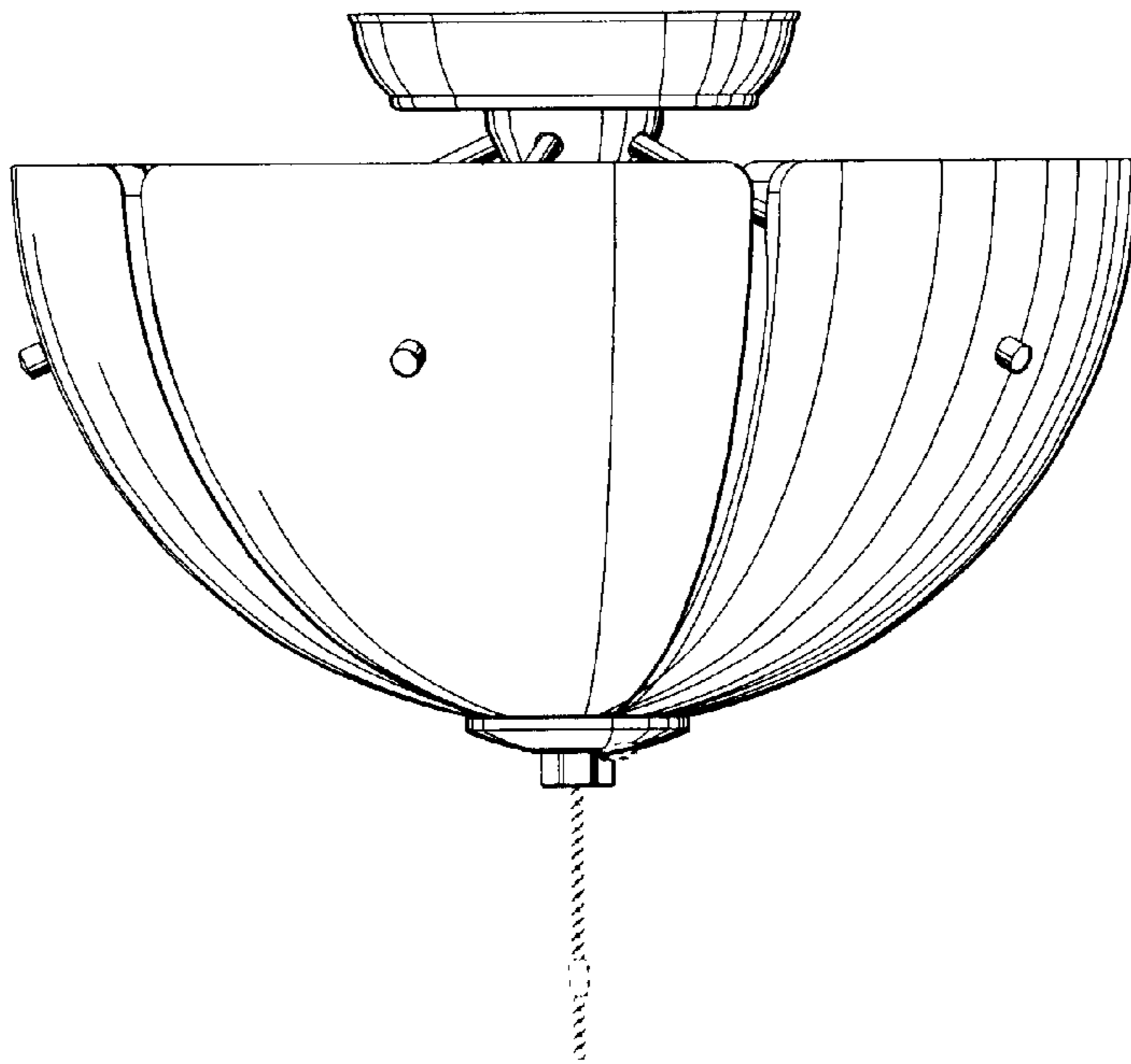


Fig. 4

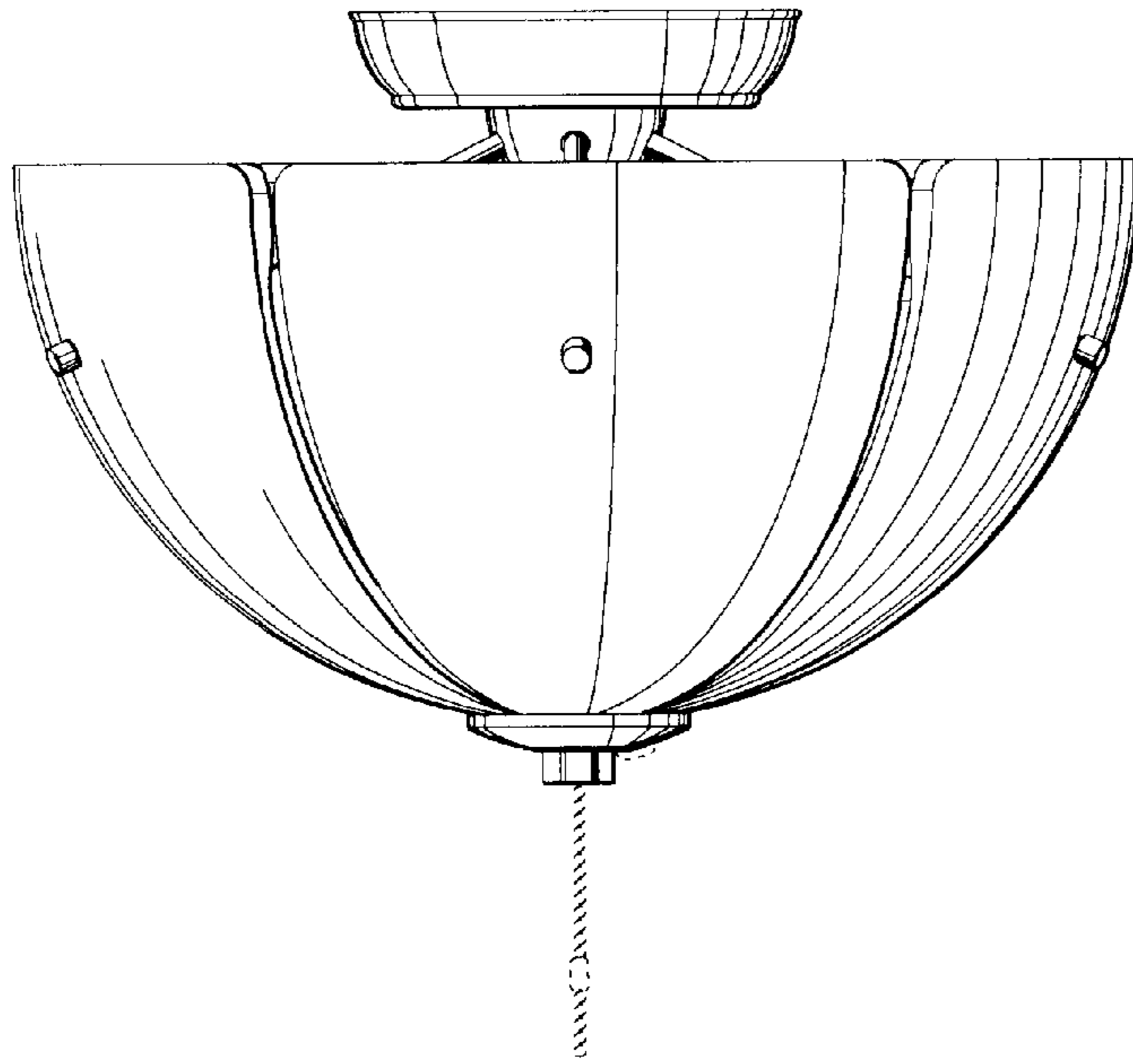


Fig. 5

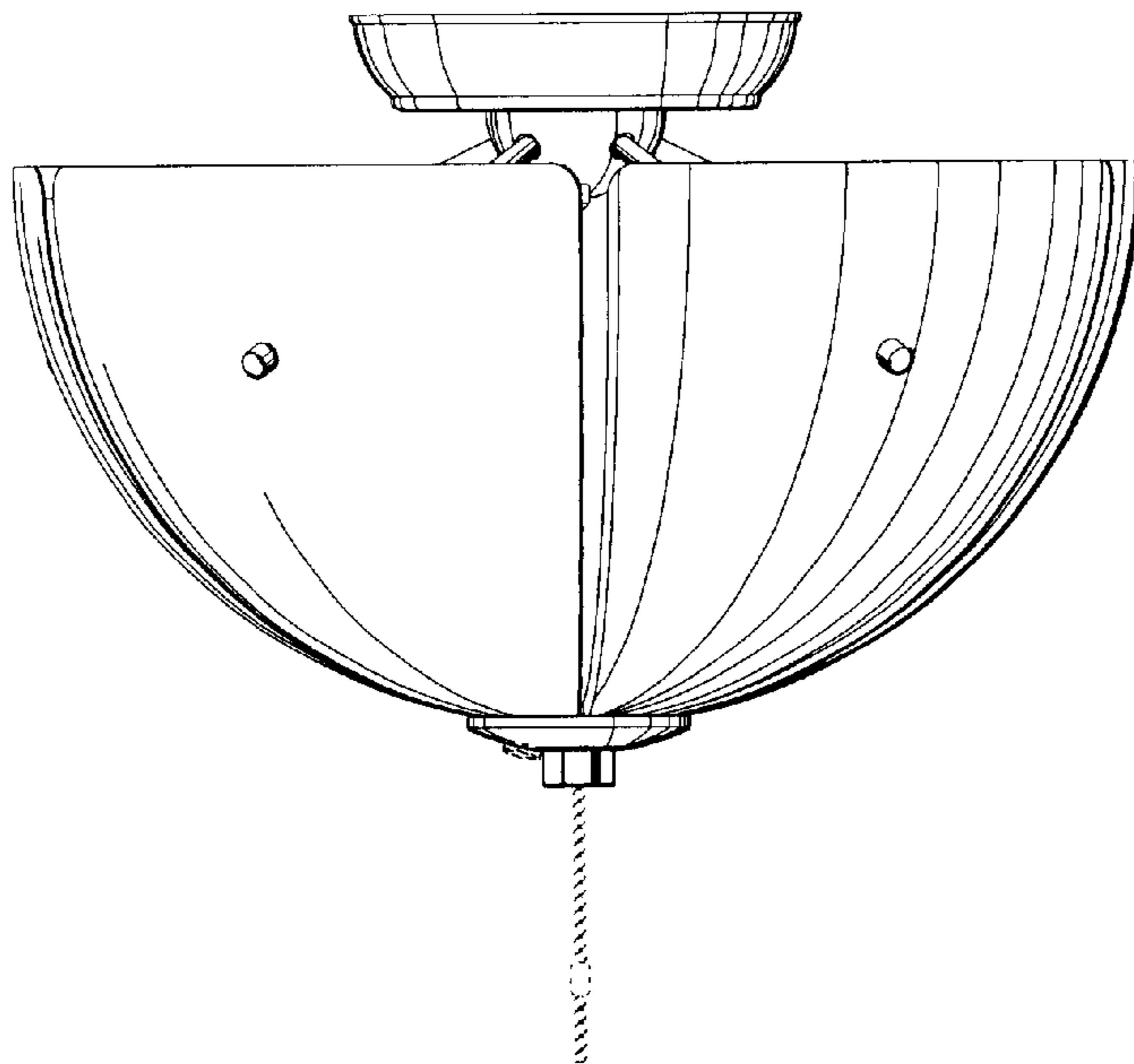


Fig. 6

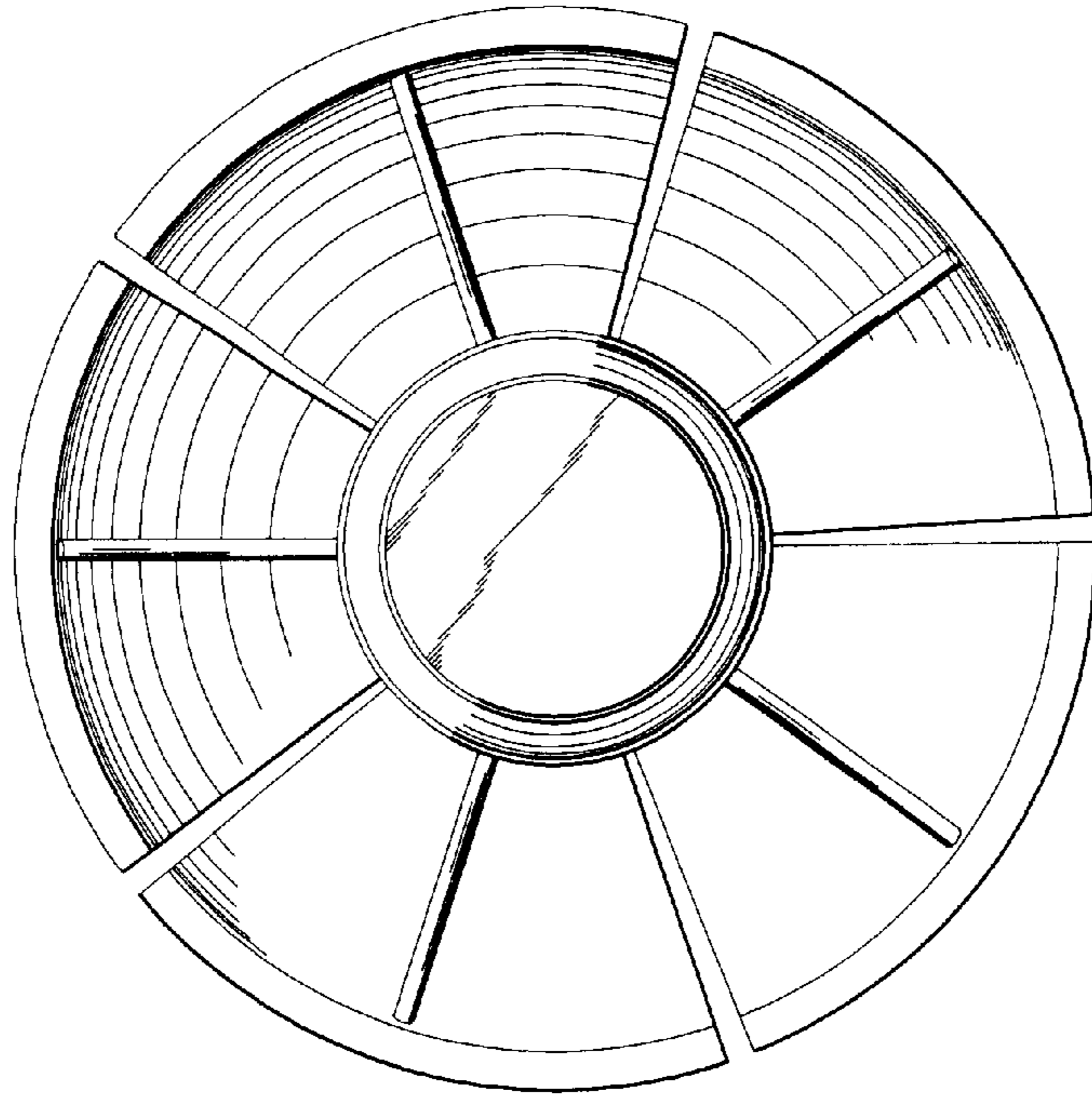


Fig. 7

