



US00D487304S

(12) **United States Design Patent**
Eamcharoenying

(10) **Patent No.:** **US D487,304 S**

(45) **Date of Patent:** **** Mar. 2, 2004**

(54) **FLOW GAS AND AIR REGULATING DEVICE FOR SACKS AND FLEXIBLE CONTAINER**

(76) **Inventor:** **Sunun Eamcharoenying, 917/23**
Prachacheun Road, Bang-Sue, Bangkok (TH)

(**) **Term:** **14 Years**

(21) **Appl. No.:** **29/164,353**

(22) **Filed:** **Jul. 22, 2002**

(30) **Foreign Application Priority Data**

Jul. 8, 2002 (TH) 075027

(51) **LOC (7) Cl.** **23-01**

(52) **U.S. Cl.** **D23/245**

(58) **Field of Search** D23/233, 235, D23/237, 245, 247-249, 252; 137/223-234.5, 1; 410/119

(56) **References Cited**

U.S. PATENT DOCUMENTS

2,789,577	A	*	4/1957	Hosking	137/223
2,824,570	A	*	2/1958	Silverman et al.	137/223
3,260,276	A	*	7/1966	Stasiun	137/234.5
4,015,622	A	*	4/1977	Pagani	137/223
4,073,389	A	*	2/1978	Angarola et al.	410/119

4,823,831	A	*	4/1989	Jaw	137/223
5,111,838	A	*	5/1992	Langston	137/223
5,188,142	A	*	2/1993	Lind et al.	137/223
5,203,831	A	*	4/1993	Lind et al.	137/1
D390,922	S	*	2/1998	Oswaks et al.	D23/252
6,009,895	A	*	1/2000	Wass et al.	137/223
D460,998	S	*	7/2002	Wurth	D23/252
6,508,264	B2	*	1/2003	Chaffee	137/223

* cited by examiner

Primary Examiner—Nelson C. Holtje

(74) *Attorney, Agent, or Firm*—Ladas & Parry

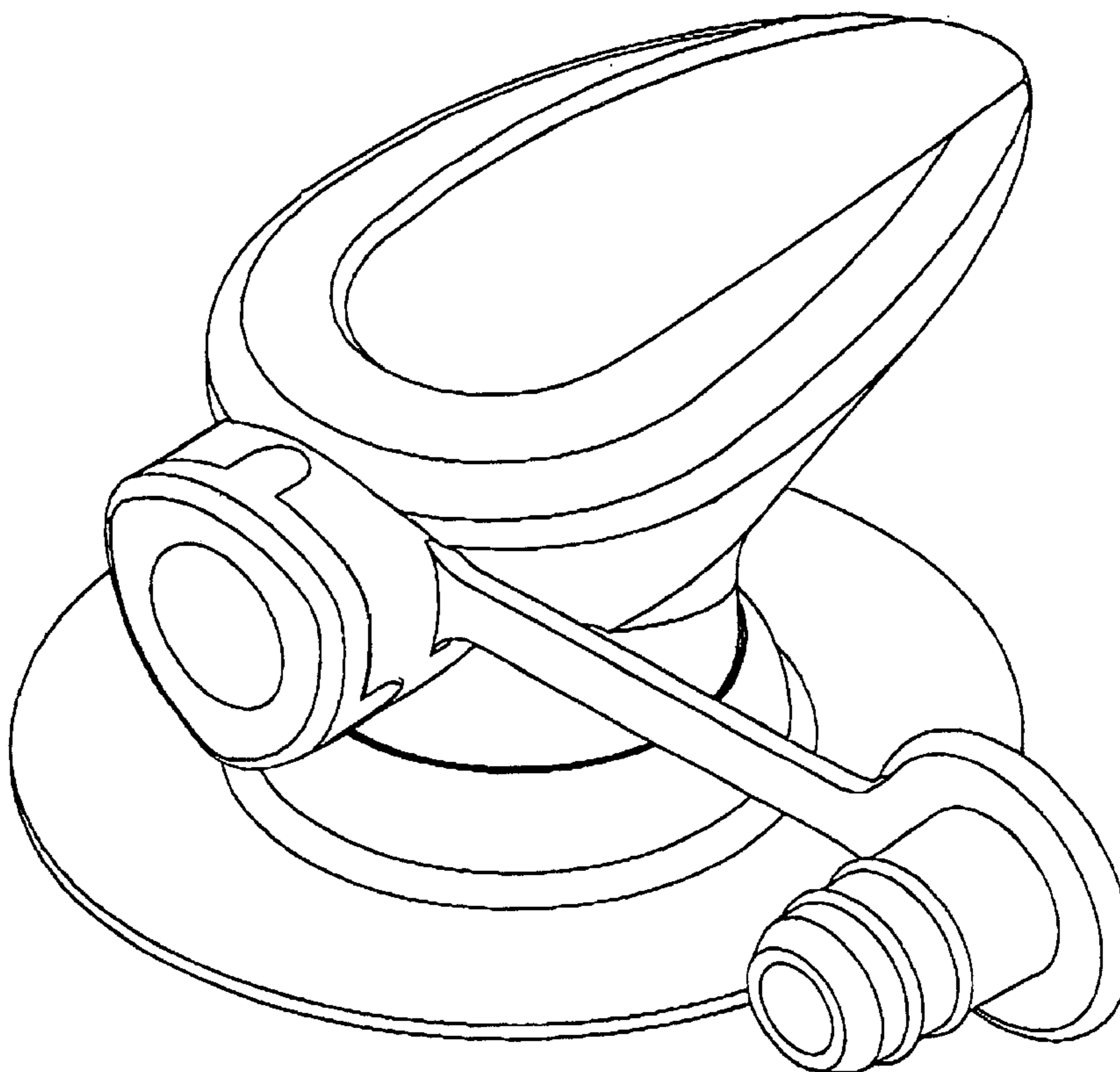
(57) **CLAIM**

I claim the ornamental design for a flow gas and air regulating device for sacks and flexible container, as shown.

DESCRIPTION

FIG. 1 is a top/front/left-side perspective view of the flow gas and air regulating device for sacks and flexible container showing my new design;
FIG. 2 is a top plan view thereof;
FIG. 3 is a front elevational view thereof;
FIG. 4 is a bottom plan view thereof;
FIG. 5 is a left-side elevational view thereof;
FIG. 6 is a rear elevational view thereof; and,
FIG. 7 is a right-side elevational view thereof.

1 Claim, 3 Drawing Sheets



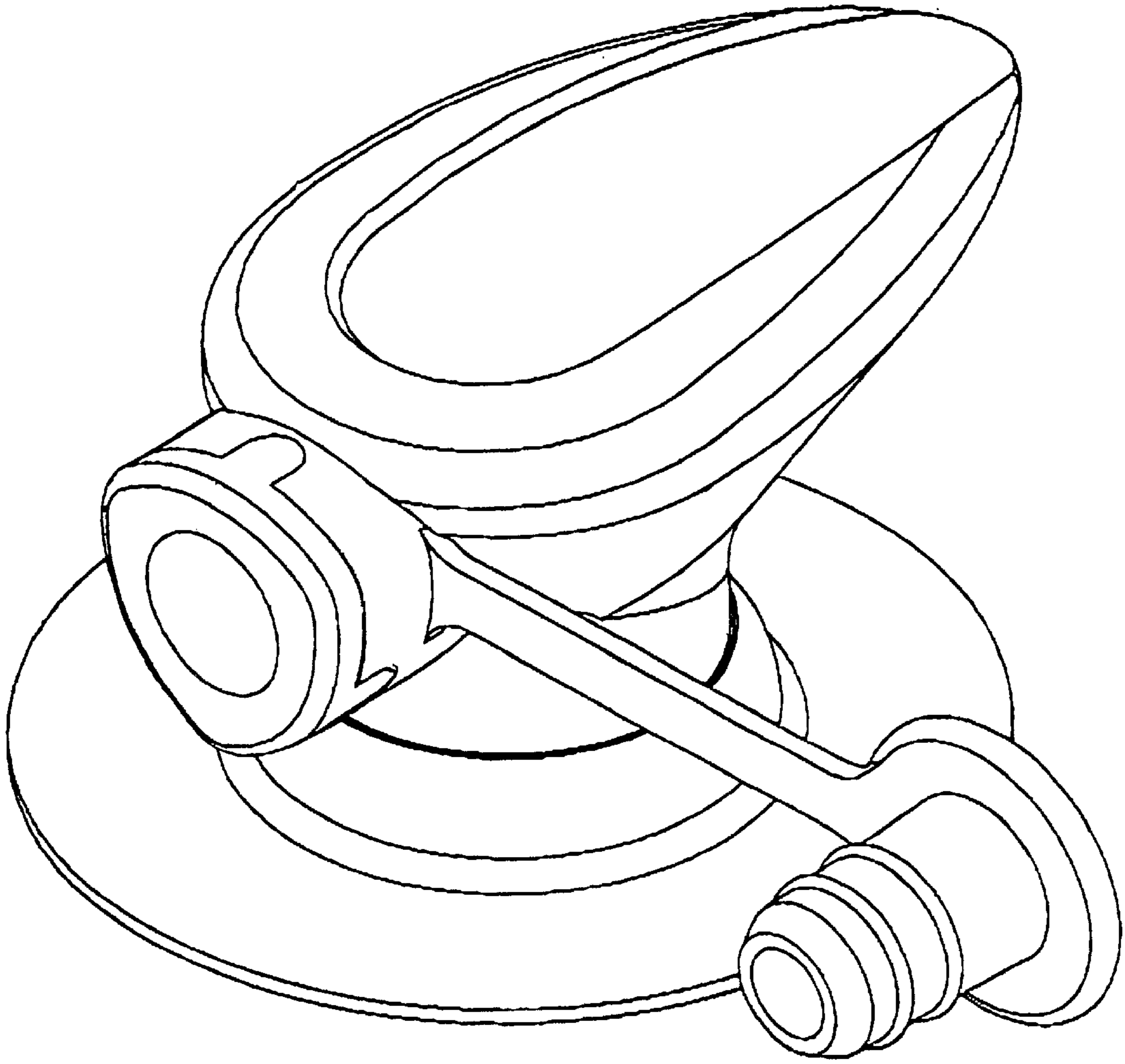
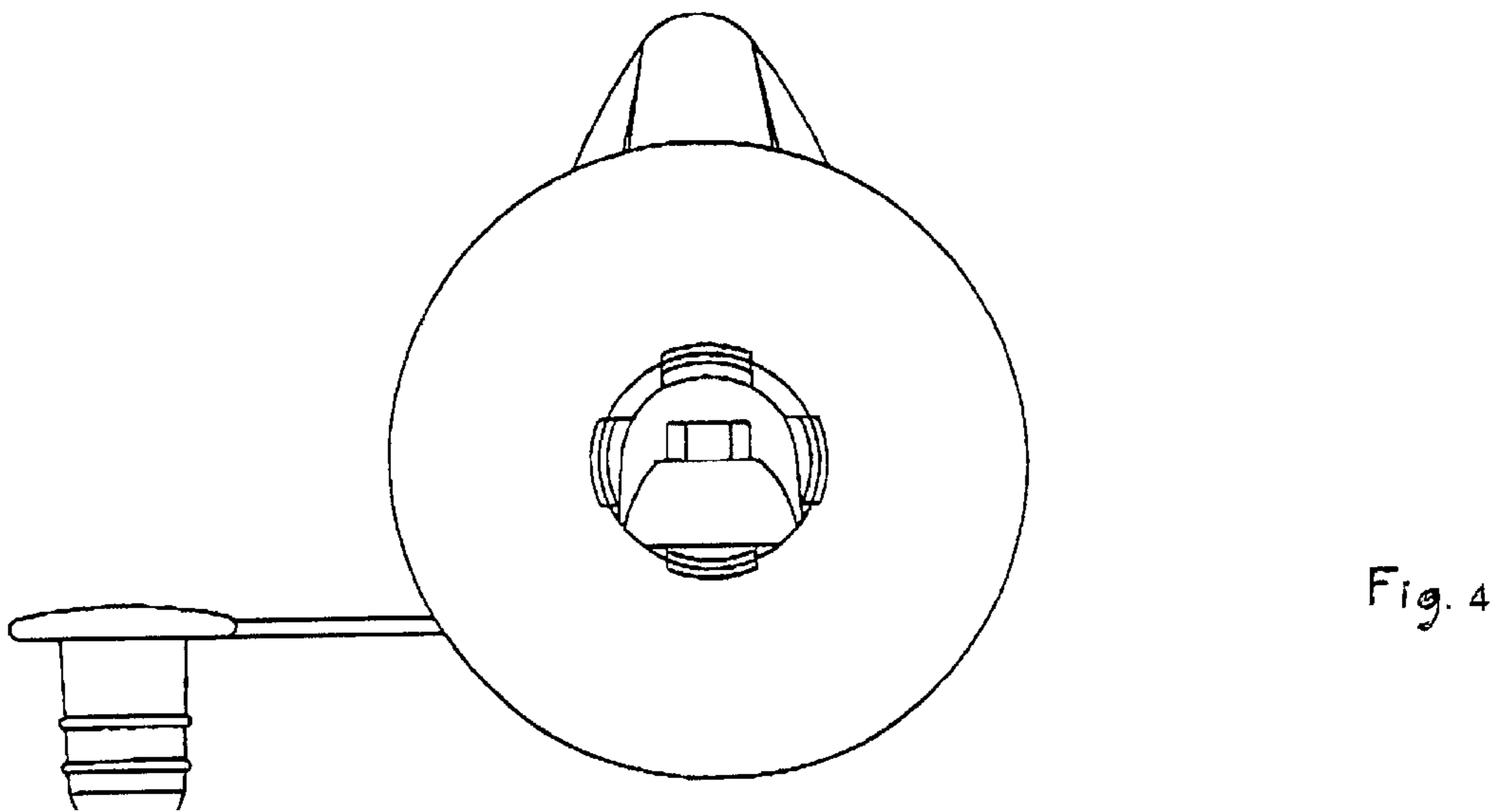
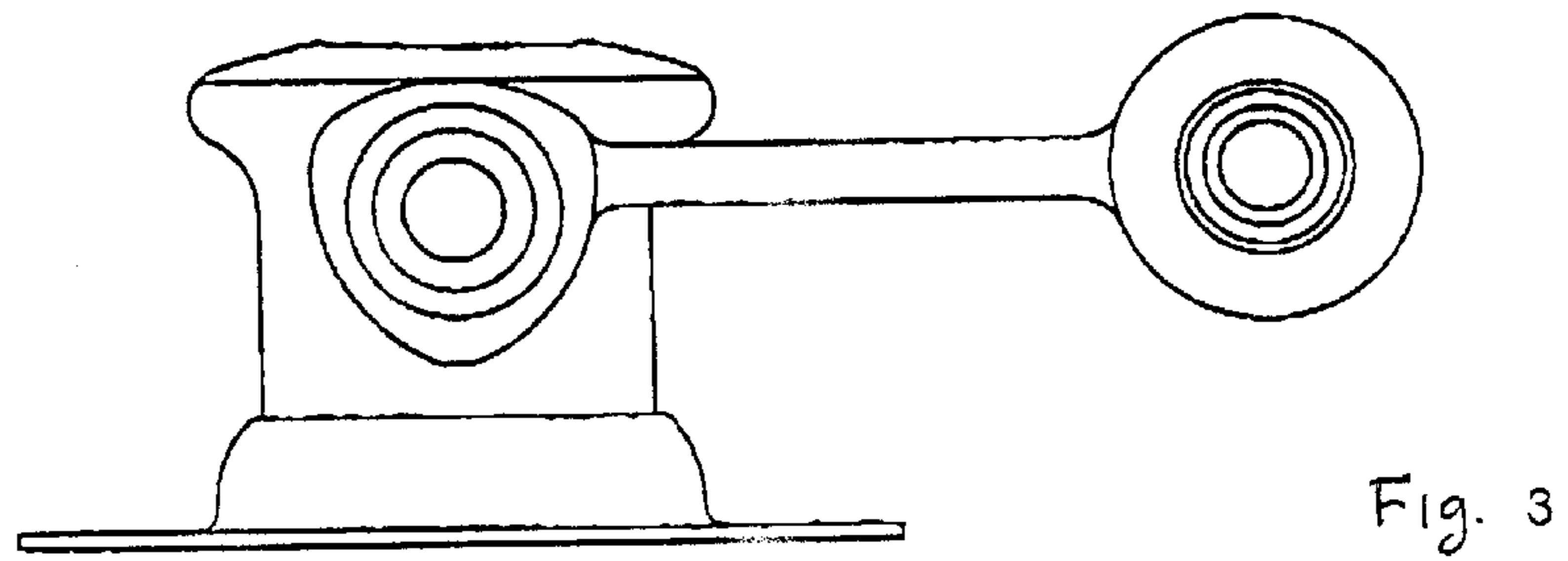
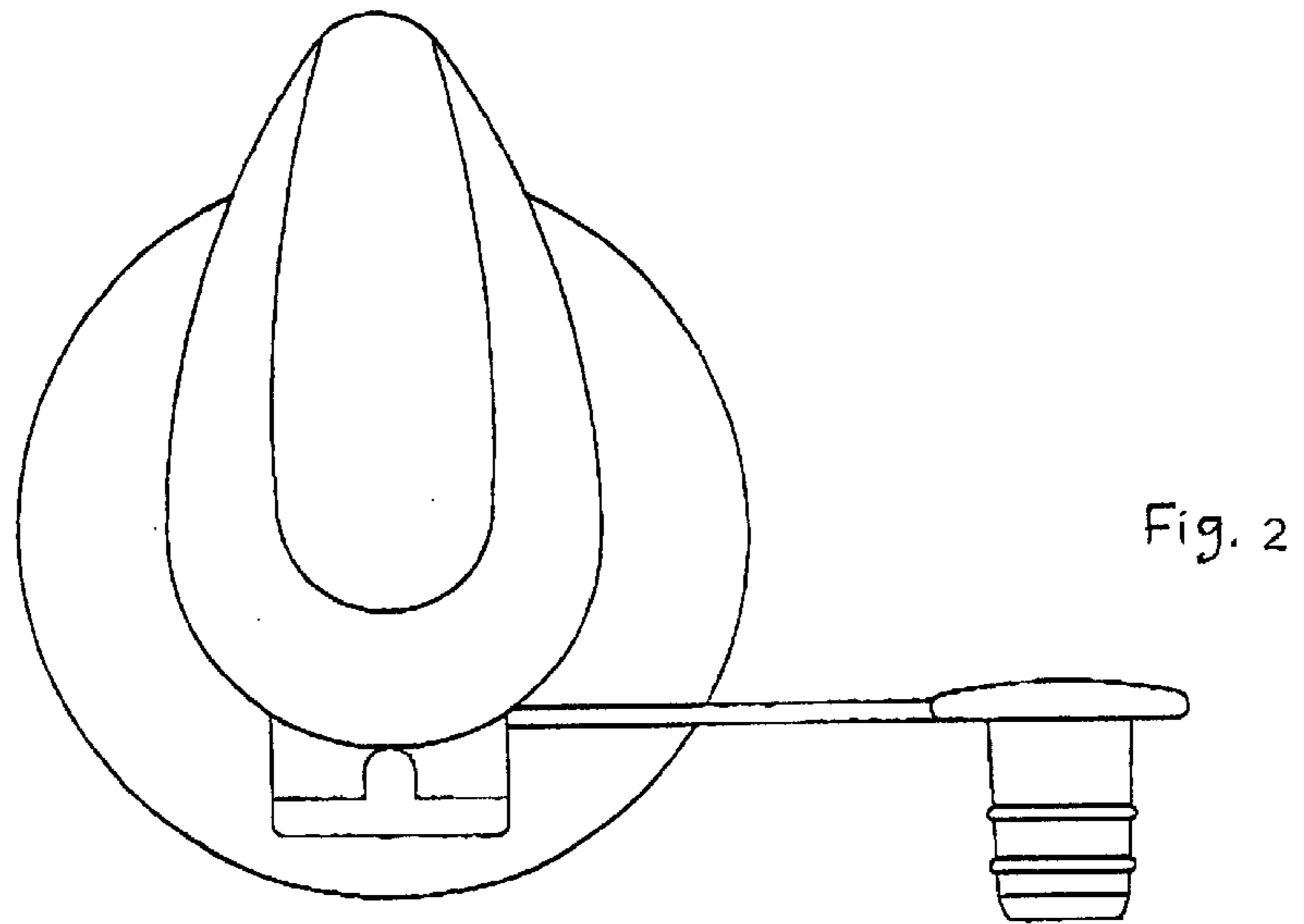


Fig. 1



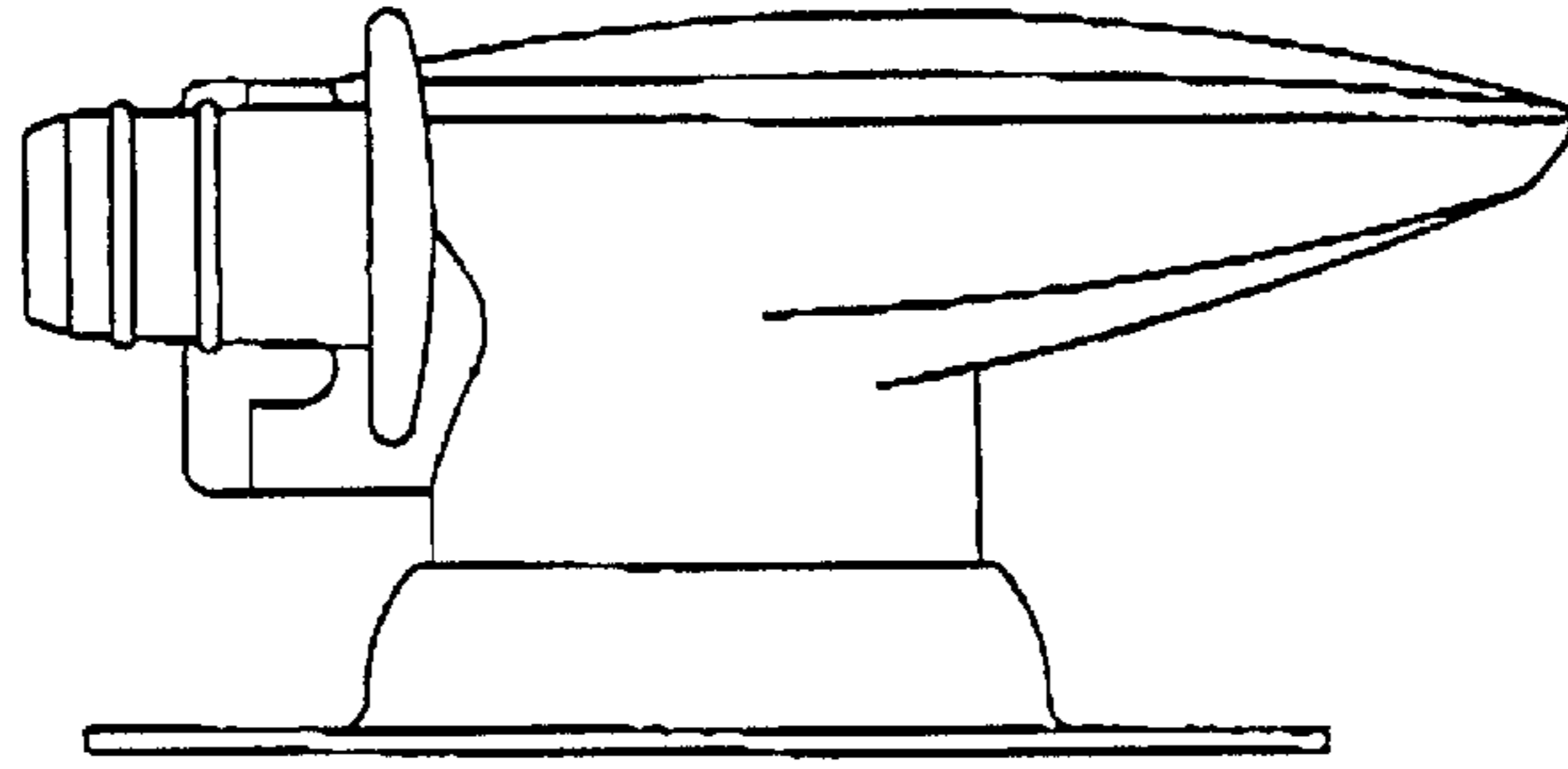


Fig. 5

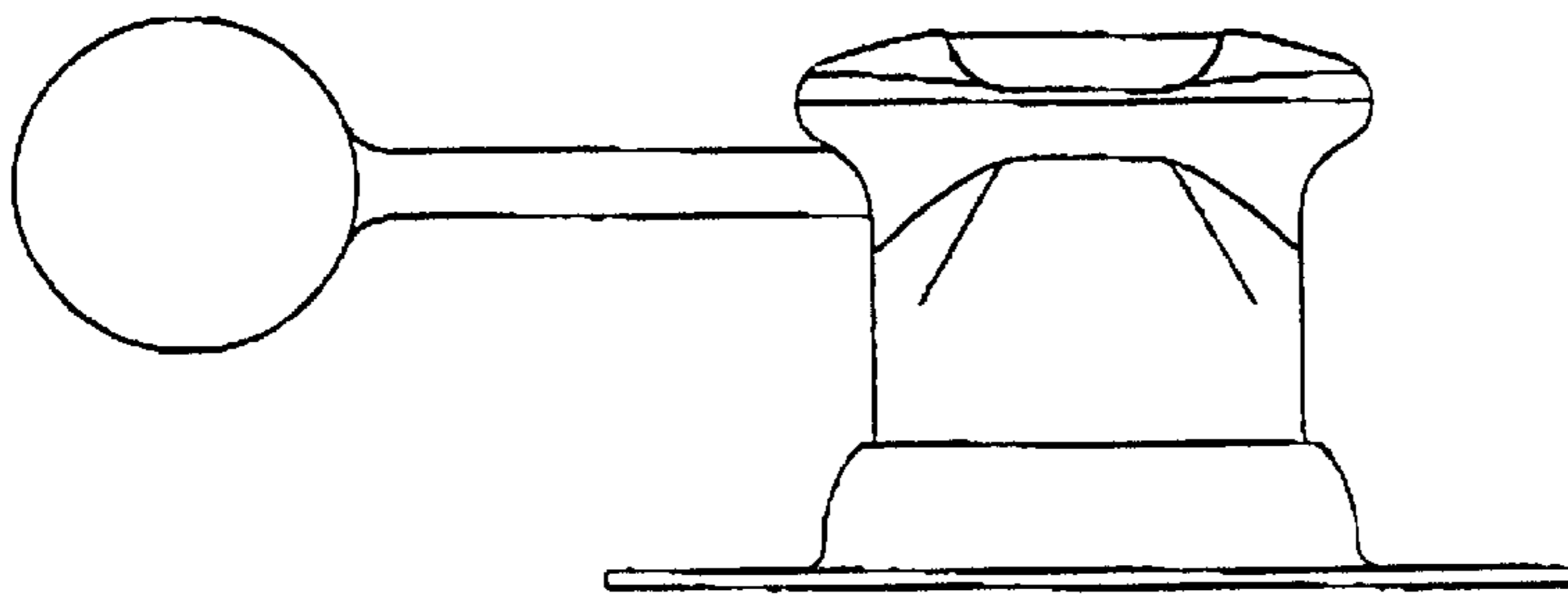


Fig. 6

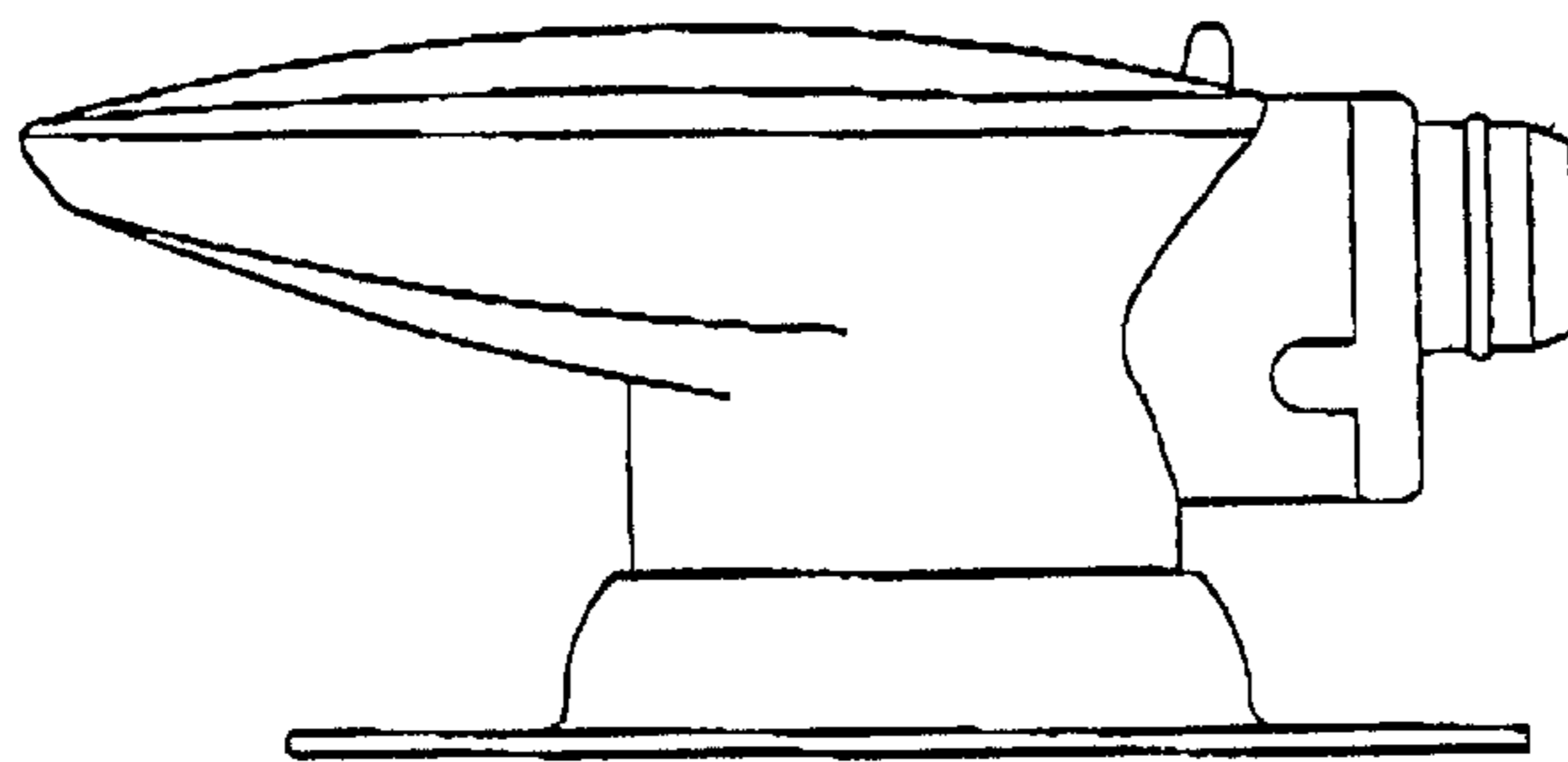


Fig. 7