



US00D487303S

(12) **United States Design Patent**
Blomstrom

(10) **Patent No.:** **US D487,303 S**

(45) **Date of Patent:** **** Mar. 2, 2004**

(54) **FAUCET**

(75) **Inventor:** **John K. Blomstrom**, Sheboygan Falls, WI (US)

(73) **Assignee:** **Kohler Co.**, Kohler, WI (US)

(**) **Term:** **14 Years**

(21) **Appl. No.:** **29/174,517**

(22) **Filed:** **Jan. 20, 2003**

(51) **LOC (7) Cl.** **23-01**

(52) **U.S. Cl.** **D23/241**

(58) **Field of Search** D23/238–243,
D23/250–257; 4/675–678; 137/801

(56) **References Cited**

U.S. PATENT DOCUMENTS

D390,638 S	2/1998	Ko	D23/241
D433,483 S	* 11/2000	Paredes	D23/241
D445,877 S	7/2001	Paredes	D23/241
D463,010 S	* 9/2002	Ouyoung	D23/241
D464,117 S	* 10/2002	Blomstrom	D23/241
D468,401 S	* 1/2003	Bates et al.	D23/242

OTHER PUBLICATIONS

Undated Harden catalog ad showing a “Series 56” faucet.
2000 Kohler catalog ad, p. 4.9, showing a “Coralais” faucet.

* cited by examiner

Primary Examiner—Louis S. Zarfes

Assistant Examiner—Gregory Andoll

(74) *Attorney, Agent, or Firm*—Quarles & Brady LLP

(57) **CLAIM**

The ornamental design for a faucet, as shown and described.

DESCRIPTION

FIG. 1 is a right, top, front perspective view of a faucet embodying my new design;

FIG. 2 is a top plan view thereof;

FIG. 3 is a front elevational view thereof;

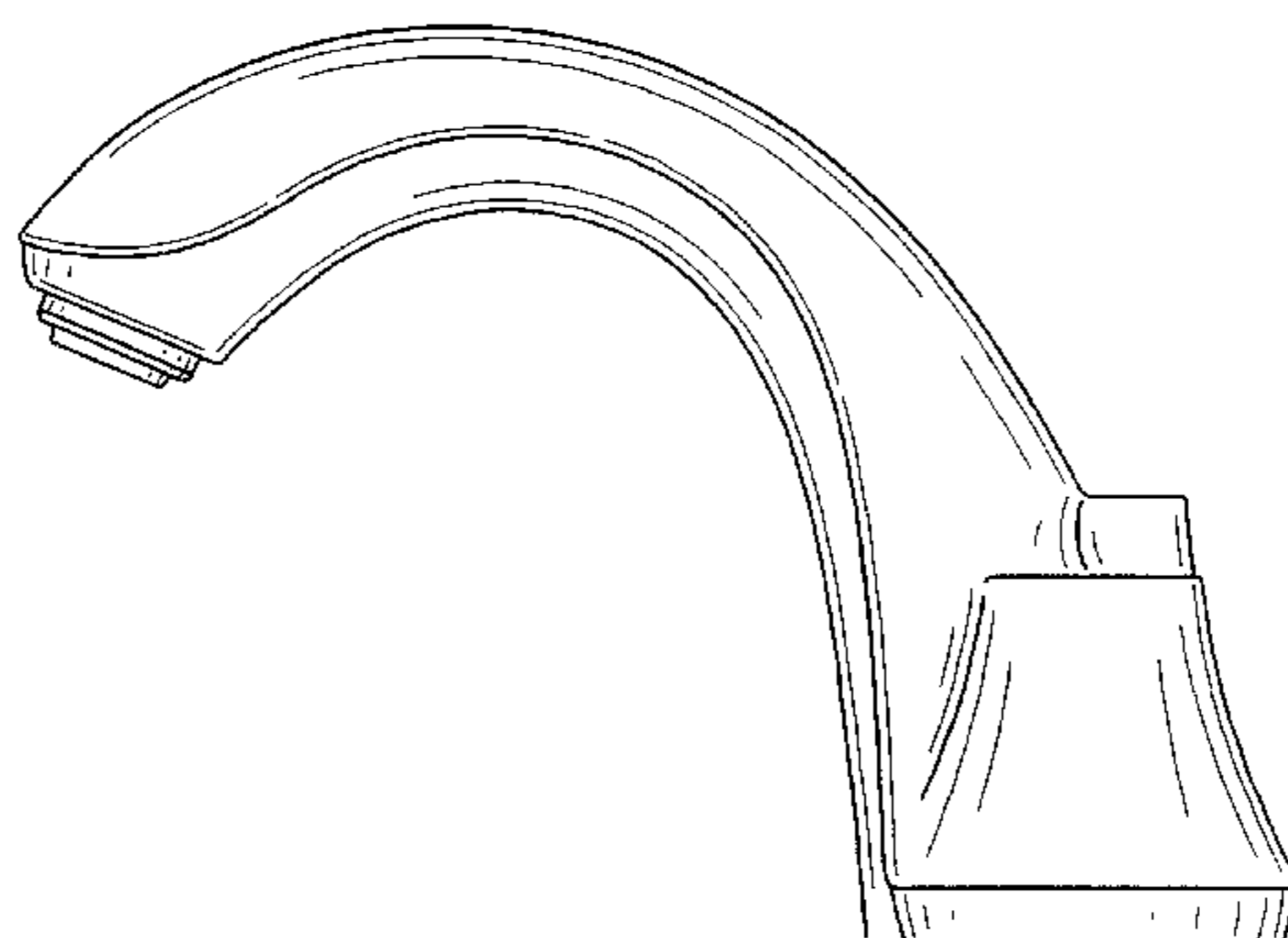
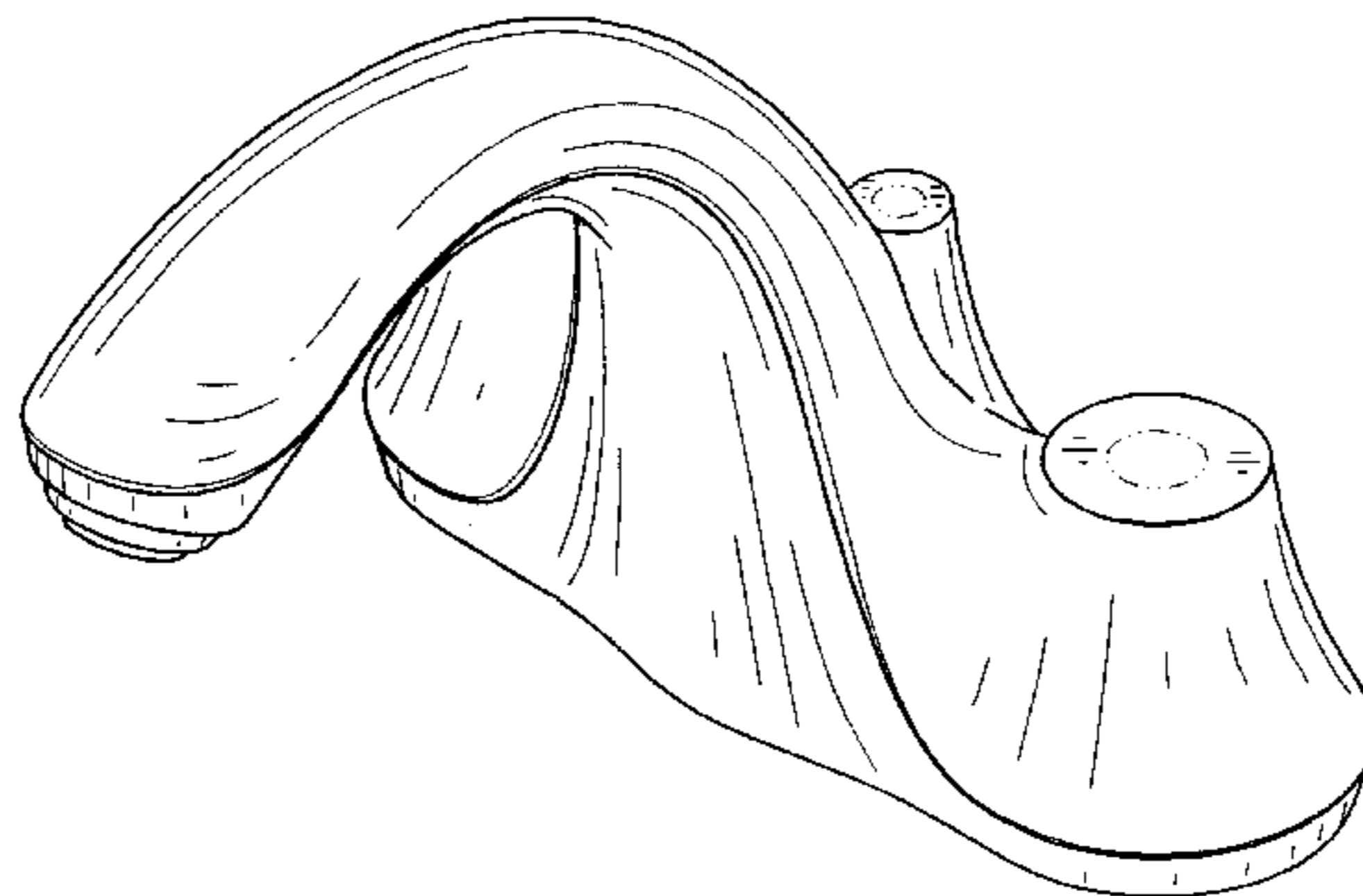
FIG. 4 is a right side elevational view thereof, the left side elevational view being a mirror image of the right side shown;

FIG. 5 is a rear elevational view thereof; and,

FIG. 6 is a bottom plan view thereof.

The broken line representations of holes in FIGS. 1, 2, and 6 are for the purposes of illustration only, and form no part of the claimed design.

1 Claim, 3 Drawing Sheets



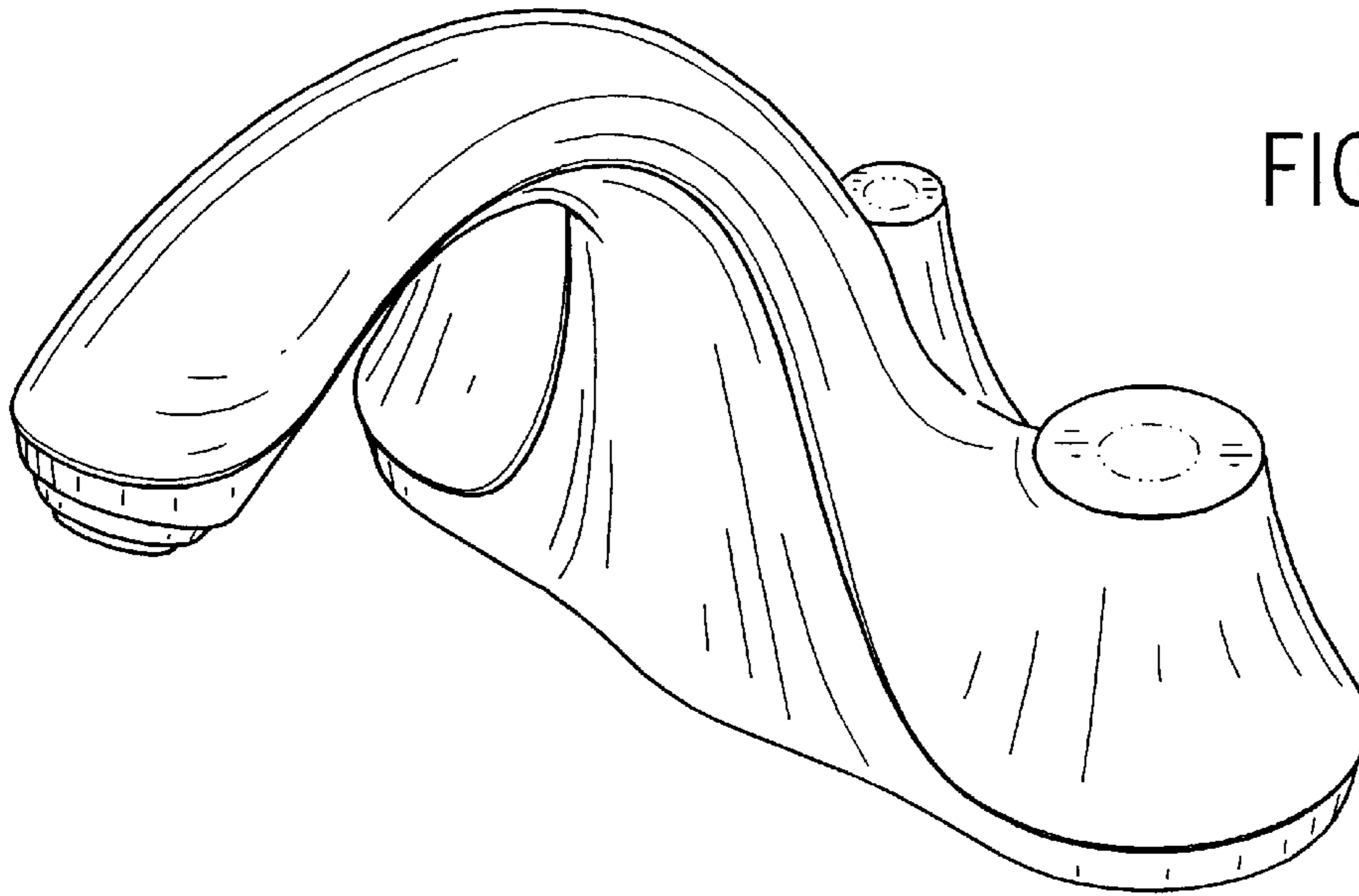
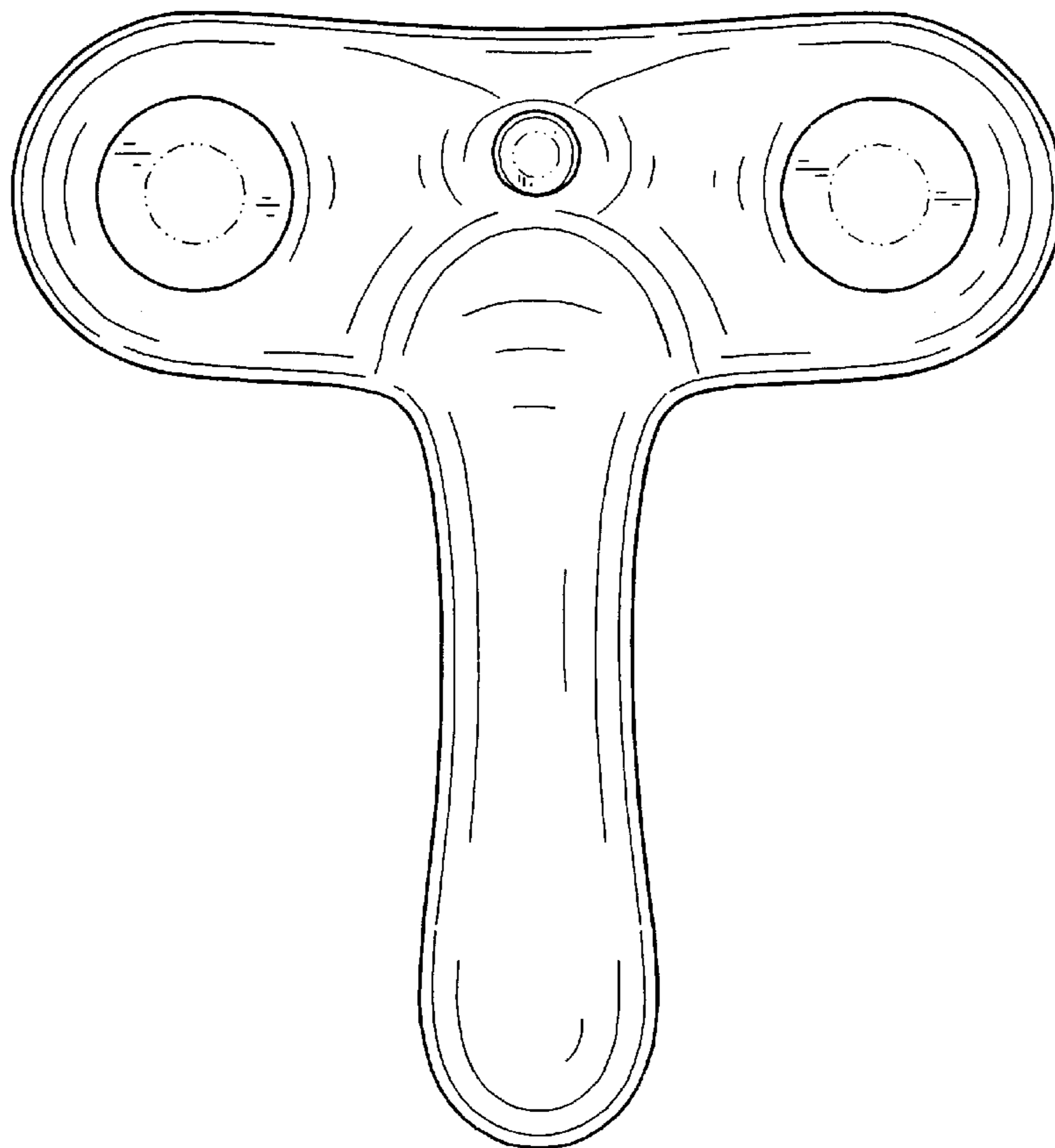


FIG. 2



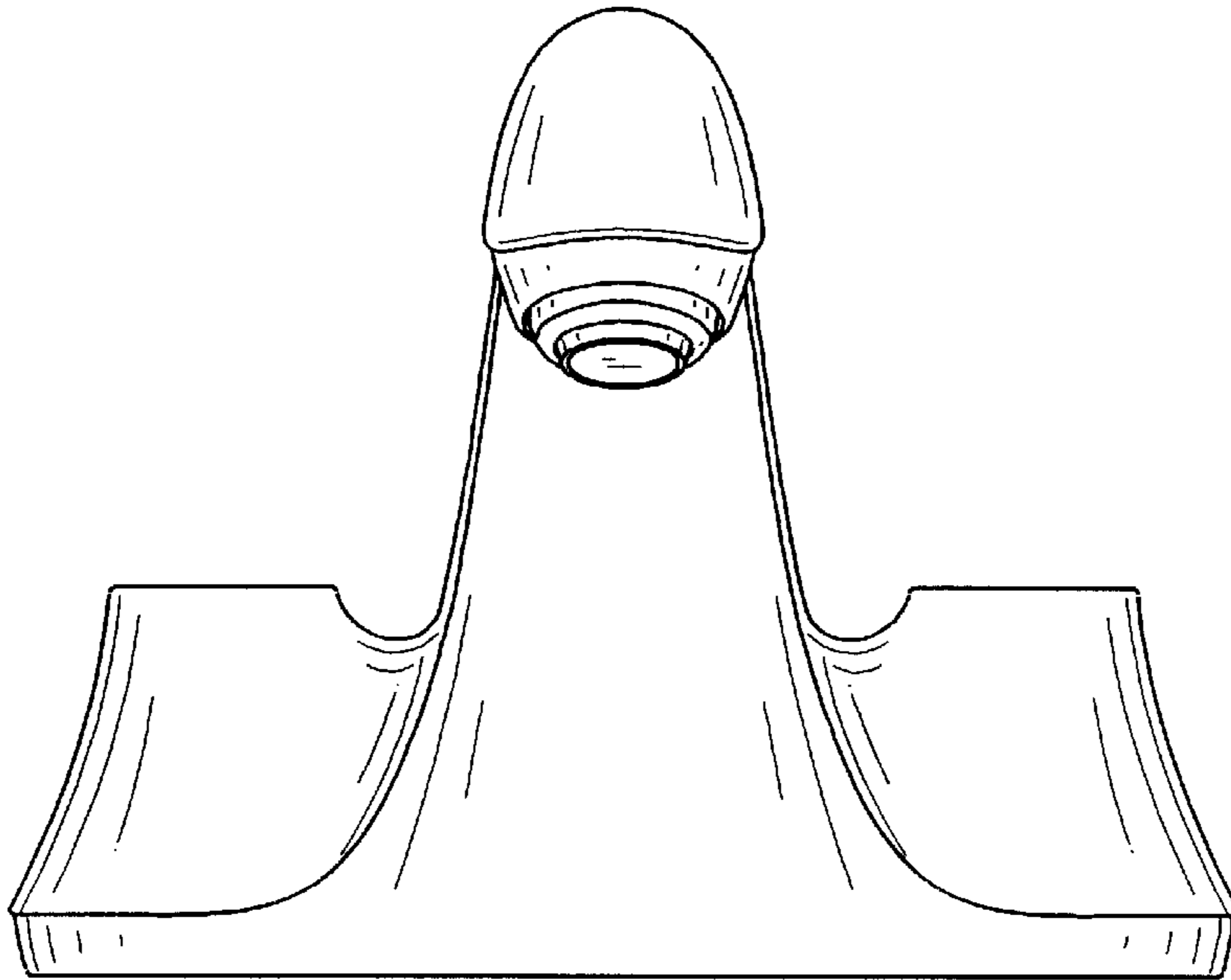


FIG. 3

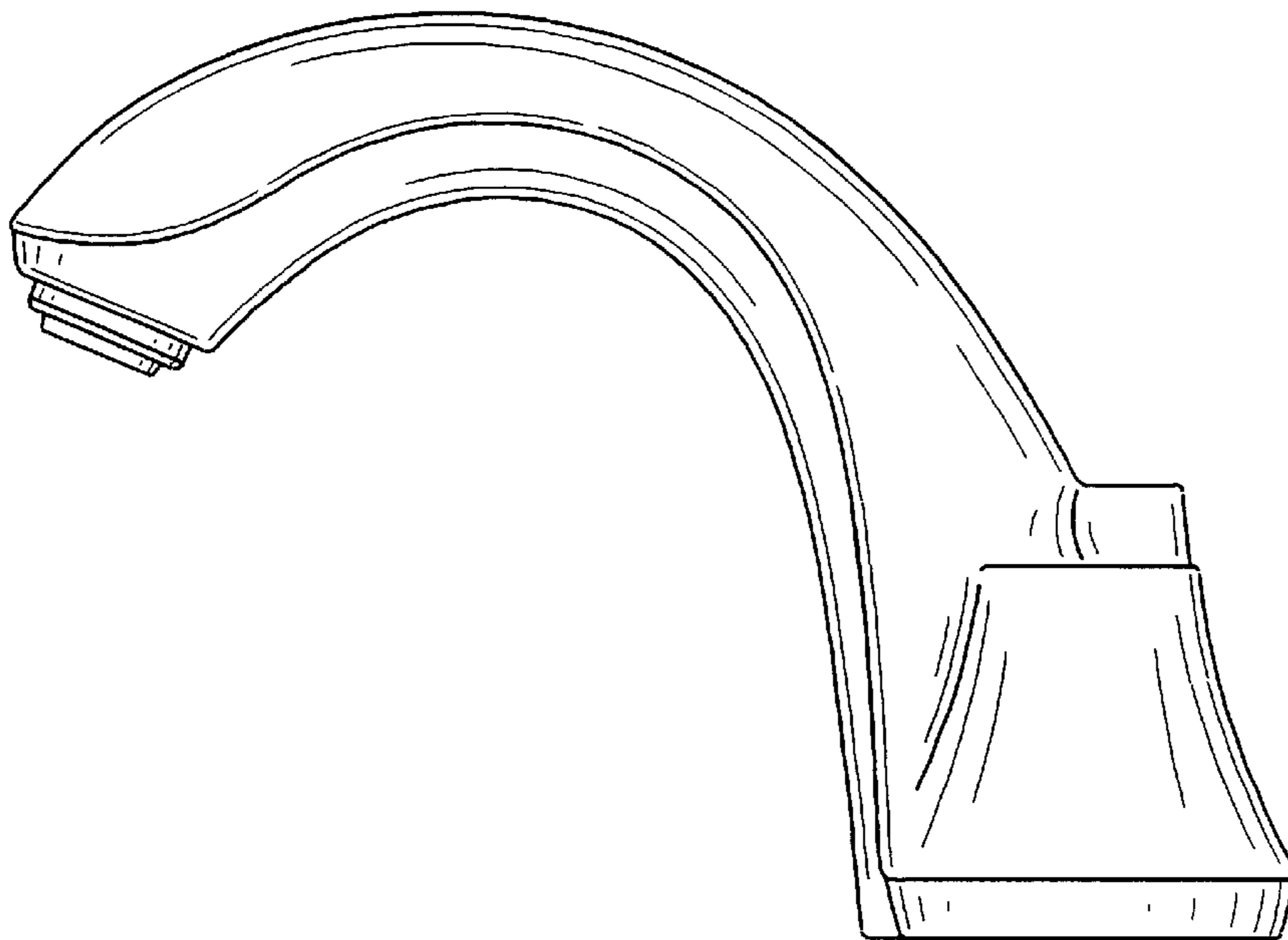


FIG. 4

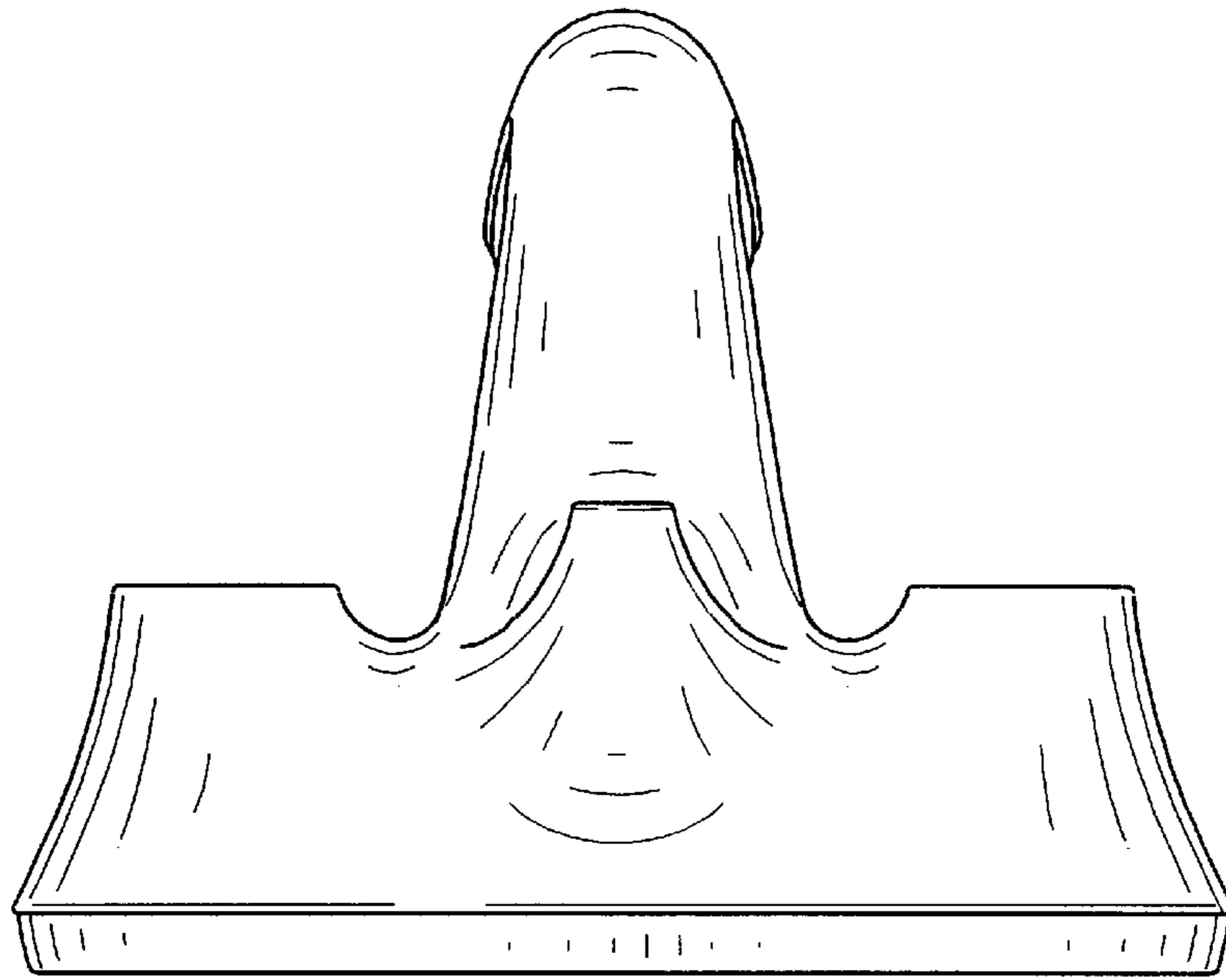


FIG. 5

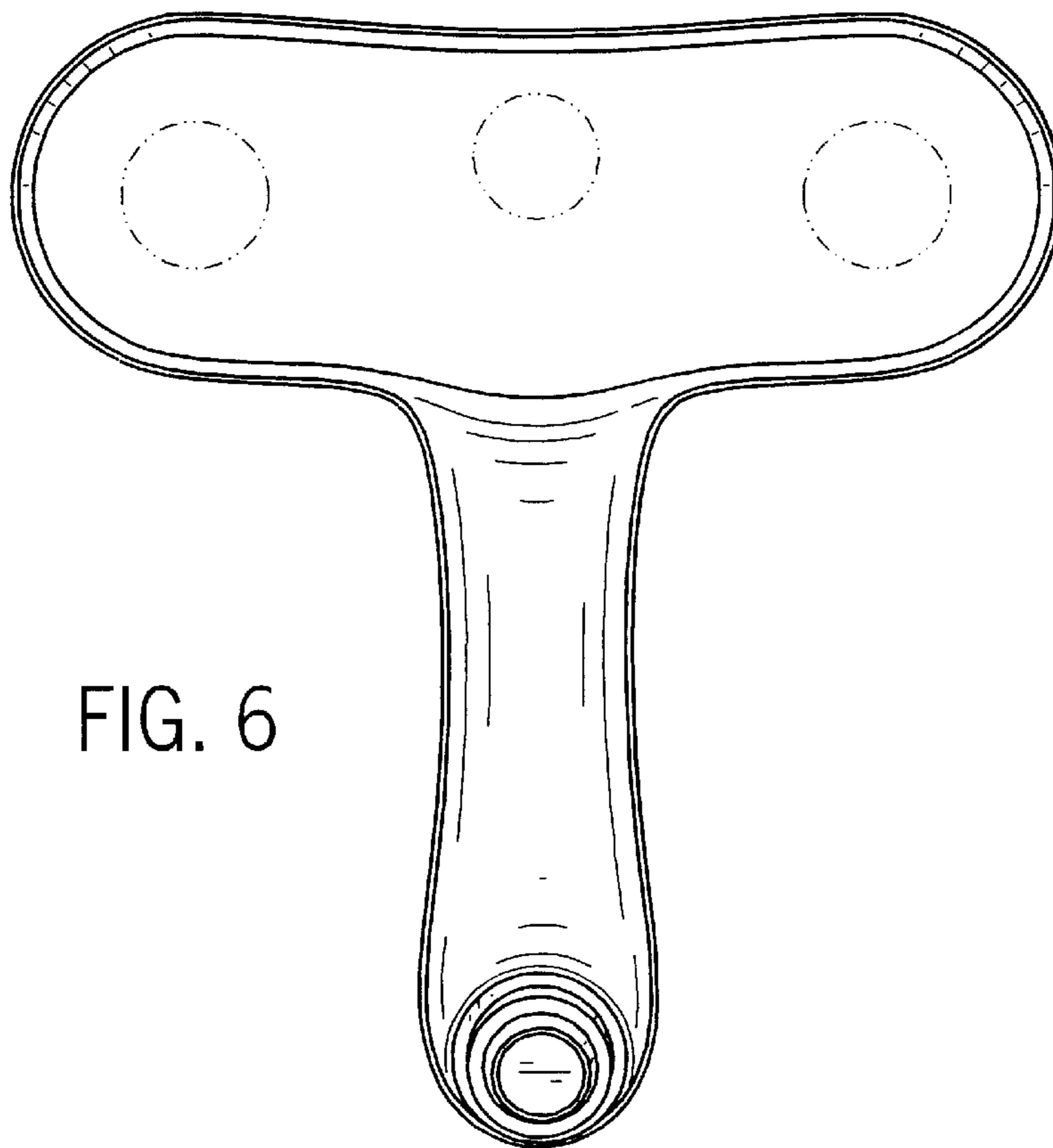


FIG. 6