



US00D487302S

(12) **United States Design Patent**  
**Enslin**

(10) **Patent No.:** **US D487,302 S**

(45) **Date of Patent:** **\*\* Mar. 2, 2004**

(54) **DECK MOUNT FAUCET**

D476,720 S \* 7/2003 Hanna ..... D23/238

(75) Inventor: **Andreas Enslin**, Iserlohn (DE)

\* cited by examiner

(73) Assignee: **Friedrich Grohe AG & Co. KG**,  
Hemer (DE)

*Primary Examiner*—Louis S. Zarfes

*Assistant Examiner*—Gregory Andoll

(74) *Attorney, Agent, or Firm*—Herbert Dubno

(\*\*) Term: **14 Years**

(57) **CLAIM**

(21) Appl. No.: **29/182,180**

The ornamental design for a deck mount faucet, as shown and described.

(22) Filed: **May 21, 2003**

(30) **Foreign Application Priority Data**

**DESCRIPTION**

Dec. 18, 2002 (DE) ..... 4 02 10 446

FIG. 1 is a top, front, left-side perspective view of a deck mount faucet showing my new design;

(51) **LOC (7) Cl.** ..... **23-01**

FIG. 2 is a left-side elevational view thereof;

(52) **U.S. Cl.** ..... **D23/238**

FIG. 3 is a right-side elevational view thereof;

(58) **Field of Search** ..... D23/235-243,  
D23/250-257; 4/675-678; 137/801

FIG. 4 is a front elevational view thereof;

FIG. 5 is a rear elevational view thereof;

FIG. 6 is a bottom plan view thereof; and,

FIG. 7 is a top plan view thereof.

(56) **References Cited**

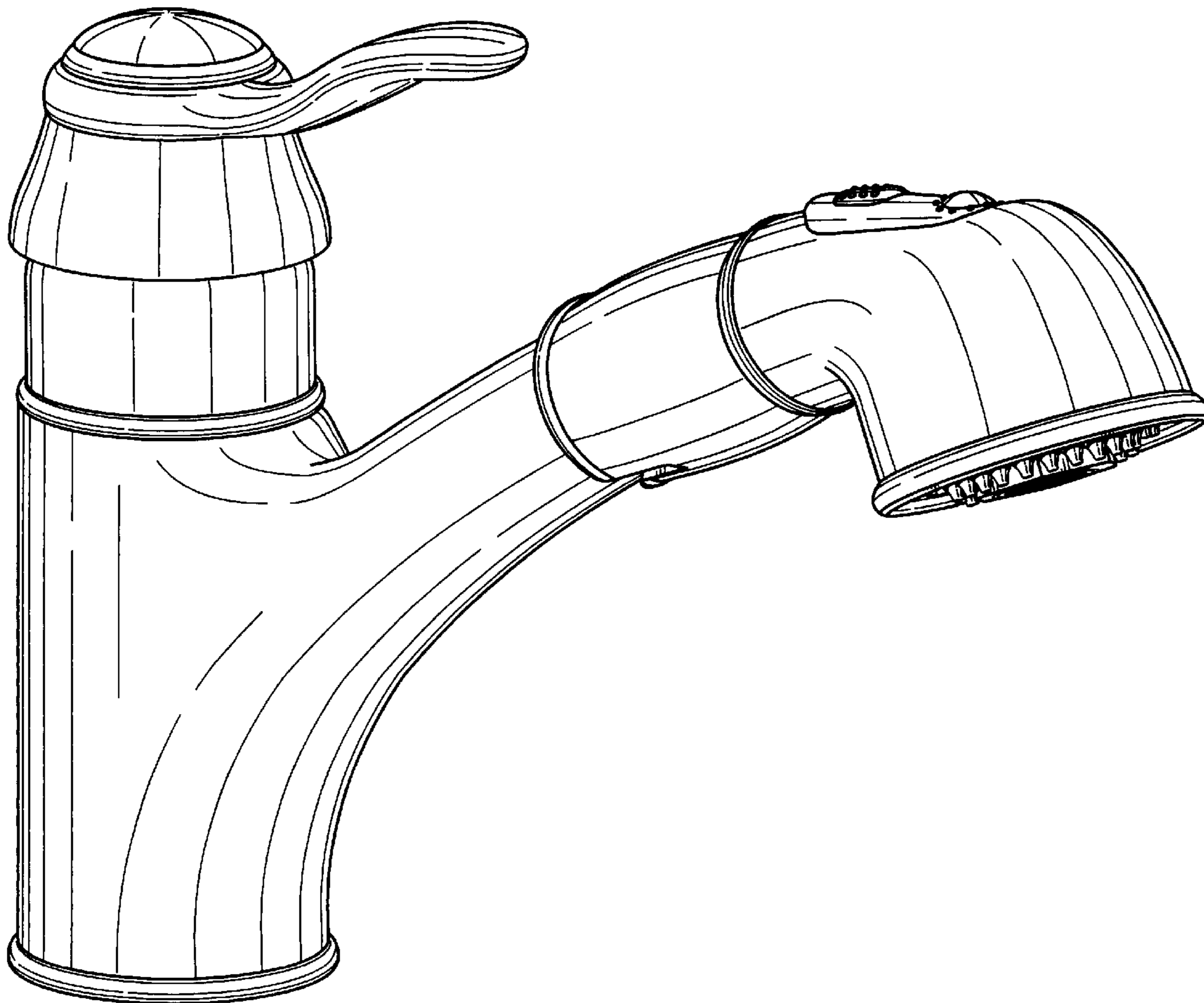
The broken lines in the Figures are for illustrative purposes only and form no part of the claimed design.

**U.S. PATENT DOCUMENTS**

D390,919 S \* 2/1998 Lobermeier ..... D23/238

D444,851 S \* 7/2001 Sturgeon ..... D23/238

**1 Claim, 5 Drawing Sheets**



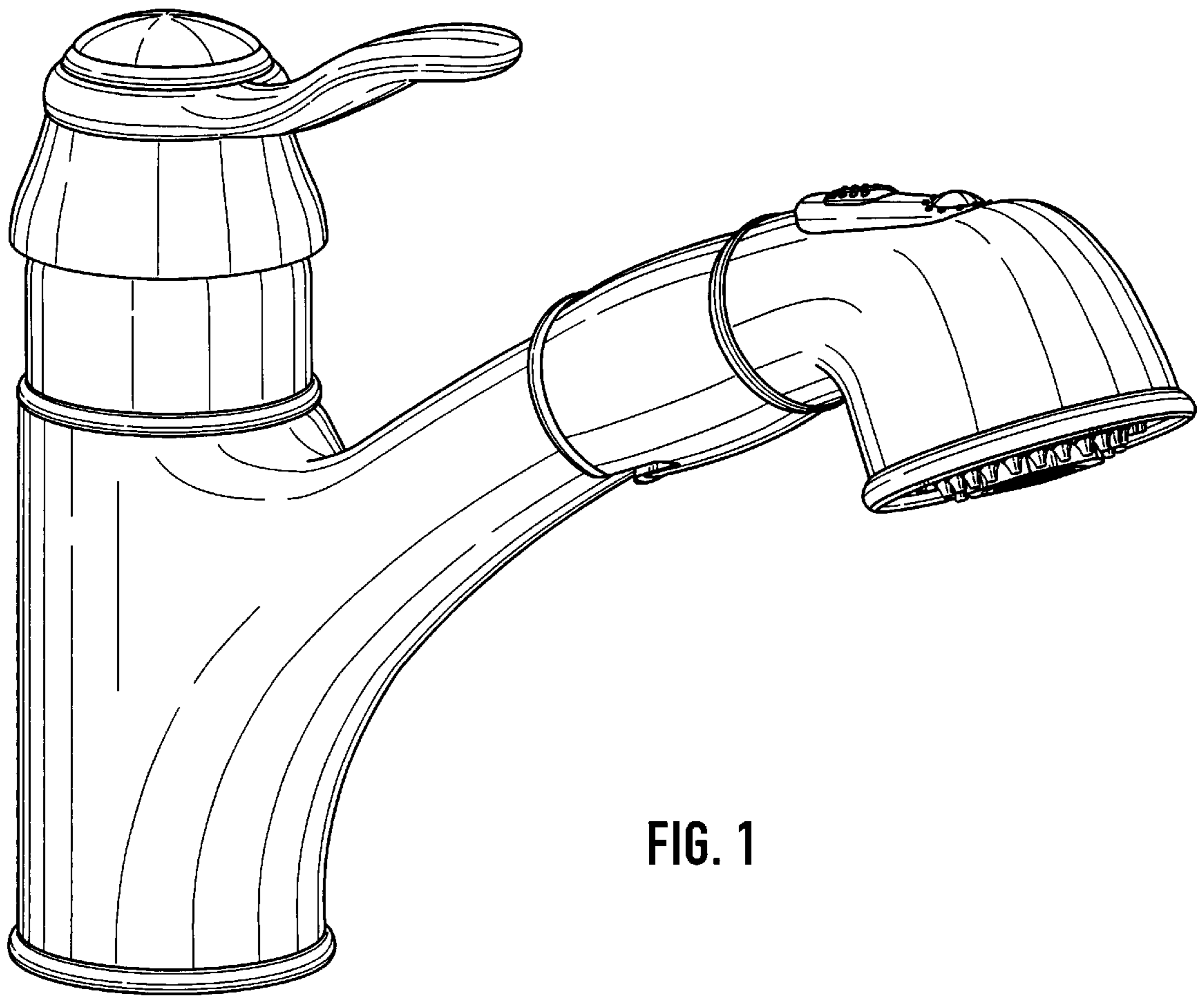


FIG. 1

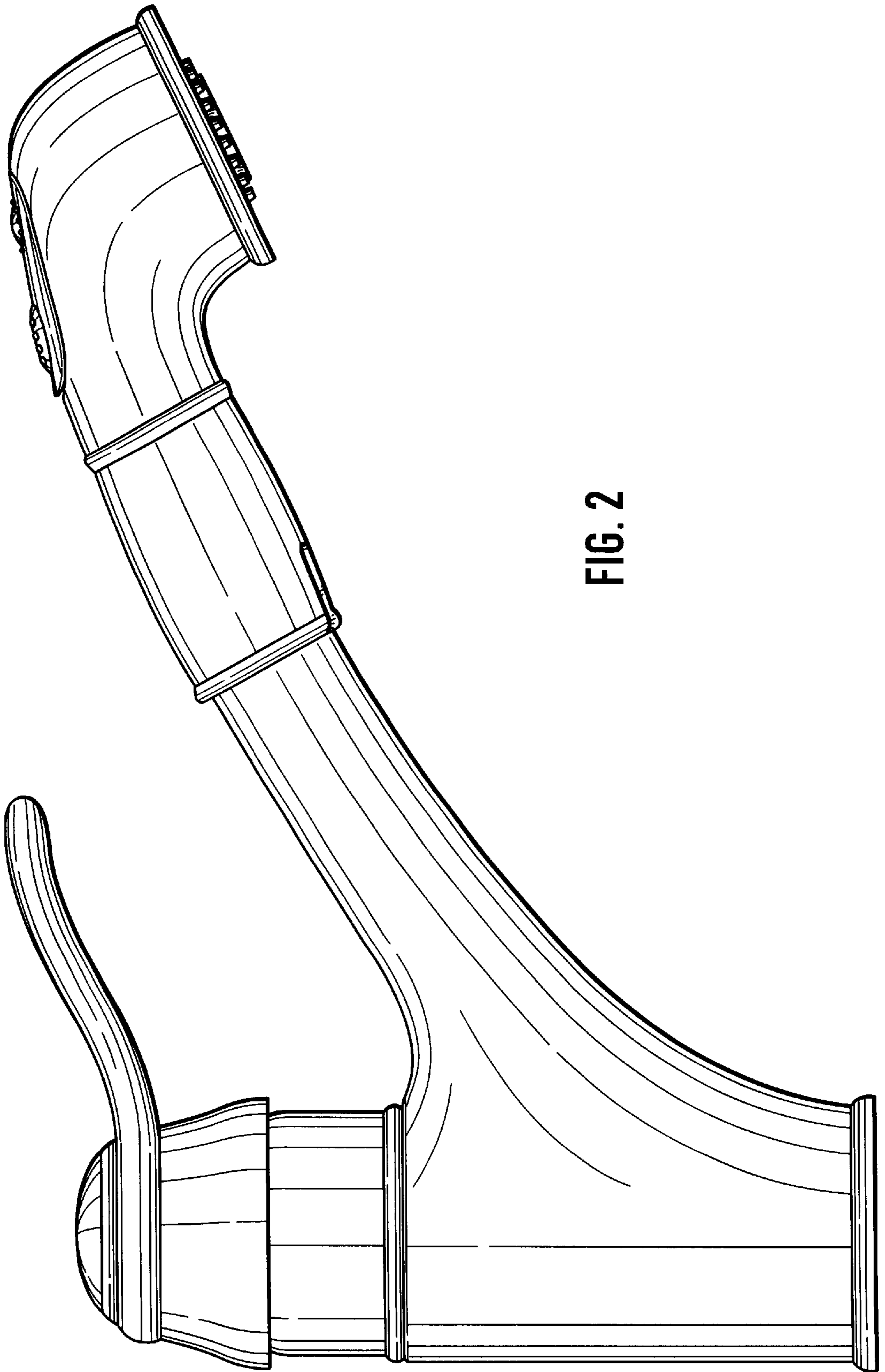


FIG. 2

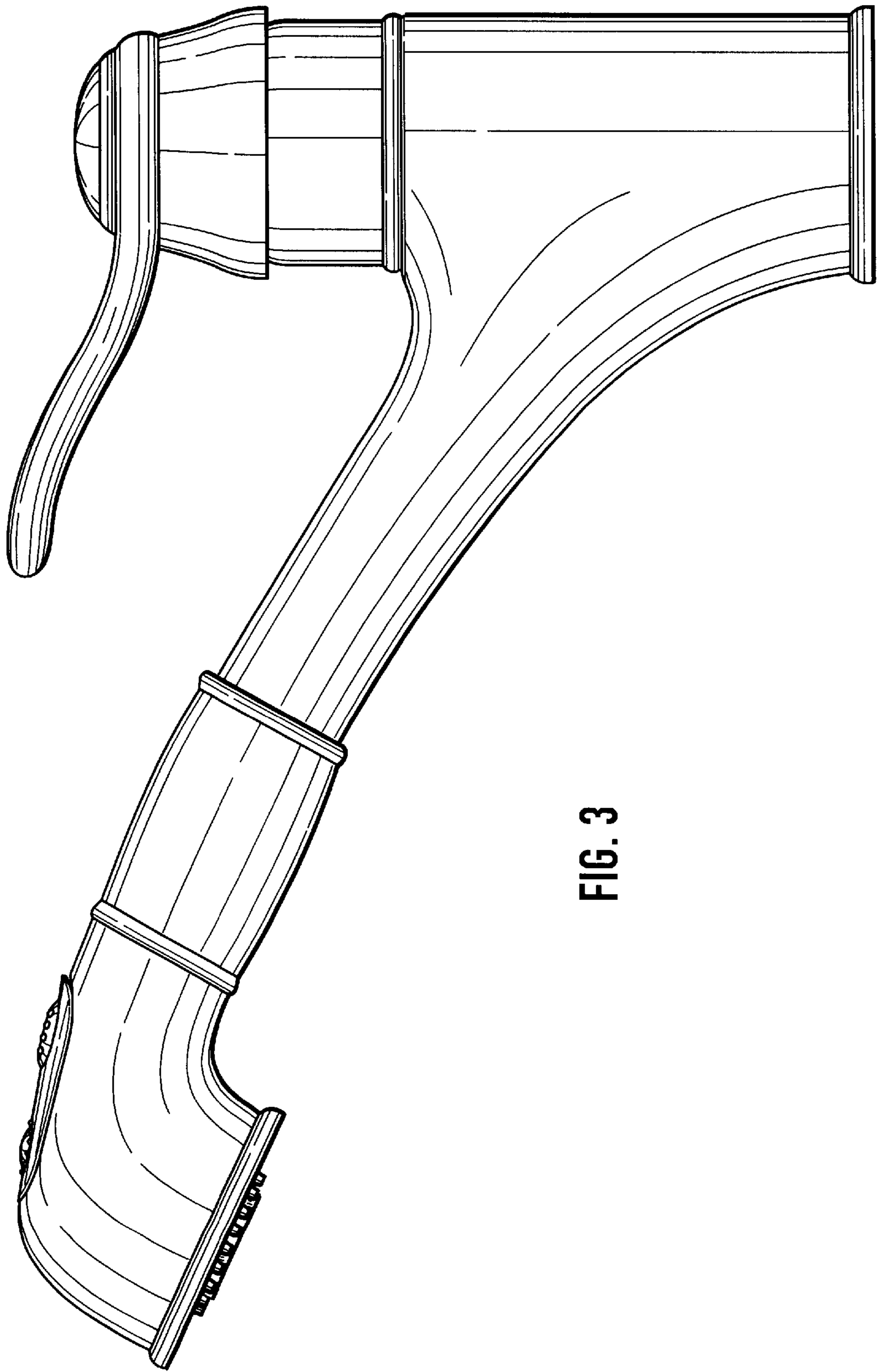


FIG. 3

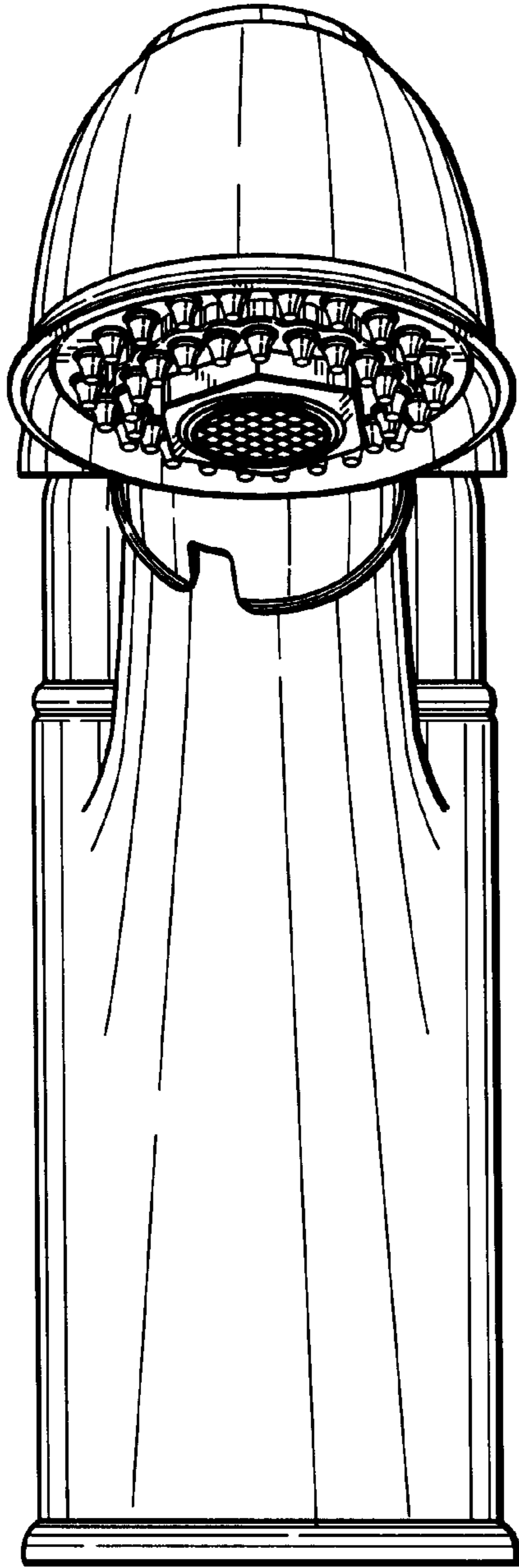


FIG. 4

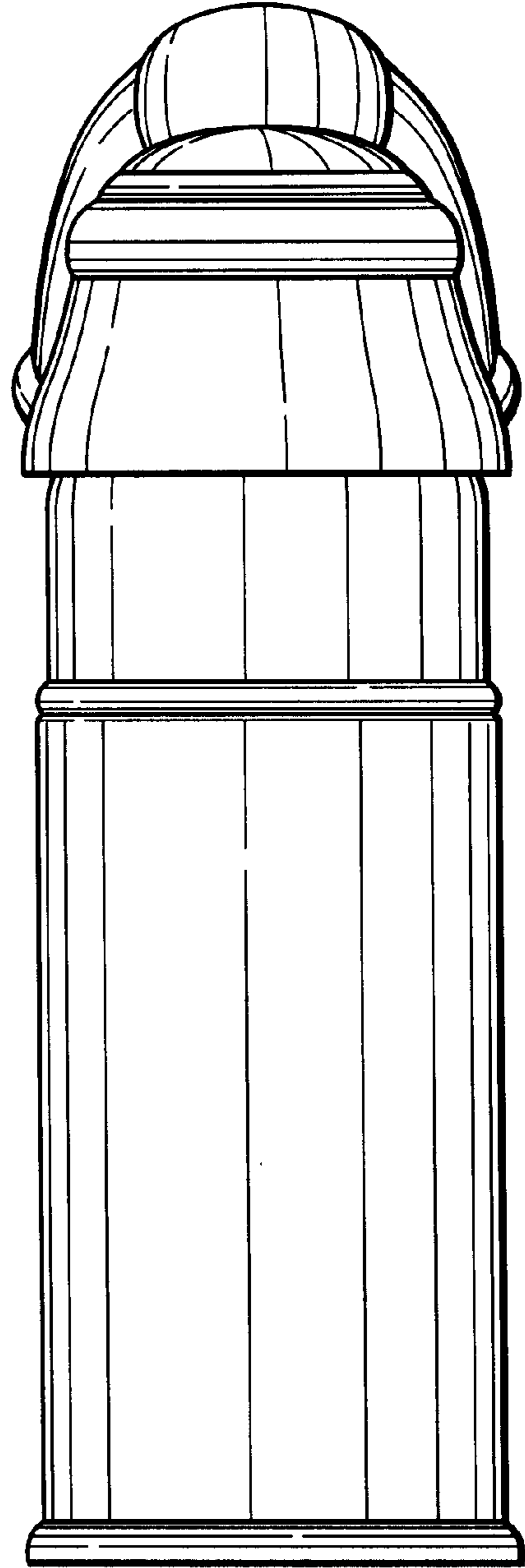


FIG. 5

FIG. 6

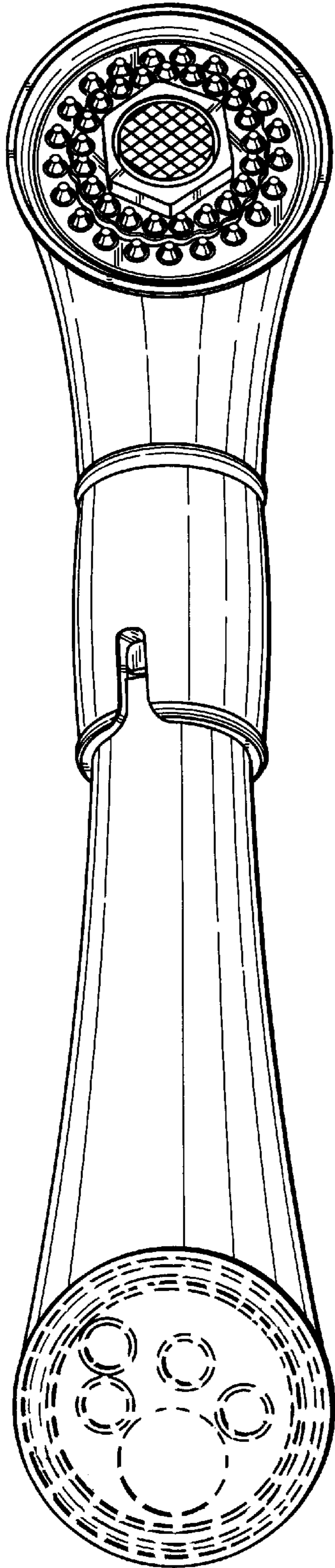


FIG. 7

