



US00D487301S

(12) **United States Design Patent**  
**Haug et al.**

(10) **Patent No.: US D487,301 S**

(45) **Date of Patent: \*\* \*Mar. 2, 2004**

(54) **SHOWER HEAD, ESPECIALLY FOR BODY SHOWERS**

(75) Inventors: **Andreas Haug**, Stuttgart (DE); **Tom Schönherr**, Stuttgart (DE); **Fabian Kollmann**, Stuttgart (DE)

(73) Assignee: **Hansgrohe AG**, Schiltach (DE)

(\* ) Notice: This patent is subject to a terminal disclaimer.

(\*\*) Term: **14 Years**

(21) Appl. No.: **29/178,370**

(22) Filed: **Mar. 25, 2003**

(30) **Foreign Application Priority Data**

Sep. 26, 2002 (DE) ..... 4 02 08 058

(51) **LOC (7) Cl.** ..... **23-01**

(52) **U.S. Cl.** ..... **D23/229**

(58) **Field of Search** ..... D23/213, 229,  
D23/230; 239/282, 283, 548

(56) **References Cited**

**U.S. PATENT DOCUMENTS**

D394,897 S \* 6/1998 Chan ..... D23/213

D432,210 S \* 10/2000 Tse ..... D23/229

D443,027 S \* 5/2001 Kollmann et al. .... D23/229

D447,218 S \* 8/2001 Kollmann et al. .... D23/229

D451,172 S \* 11/2001 Lindholm et al. .... D23/229

D463,844 S \* 10/2002 Farley ..... D23/229

**OTHER PUBLICATIONS**

GROHE catalog "Faucets and shower products", one page, 2000.

HANSA catalog "HANSA fur das Bad", p. 68, 1999.

\* cited by examiner

*Primary Examiner*—Robin V. Taylor

(74) *Attorney, Agent, or Firm*—Duane Morris LLP

(57) **CLAIM**

The ornamental design for a shower head, especially for body showers, as shown and described.

**DESCRIPTION**

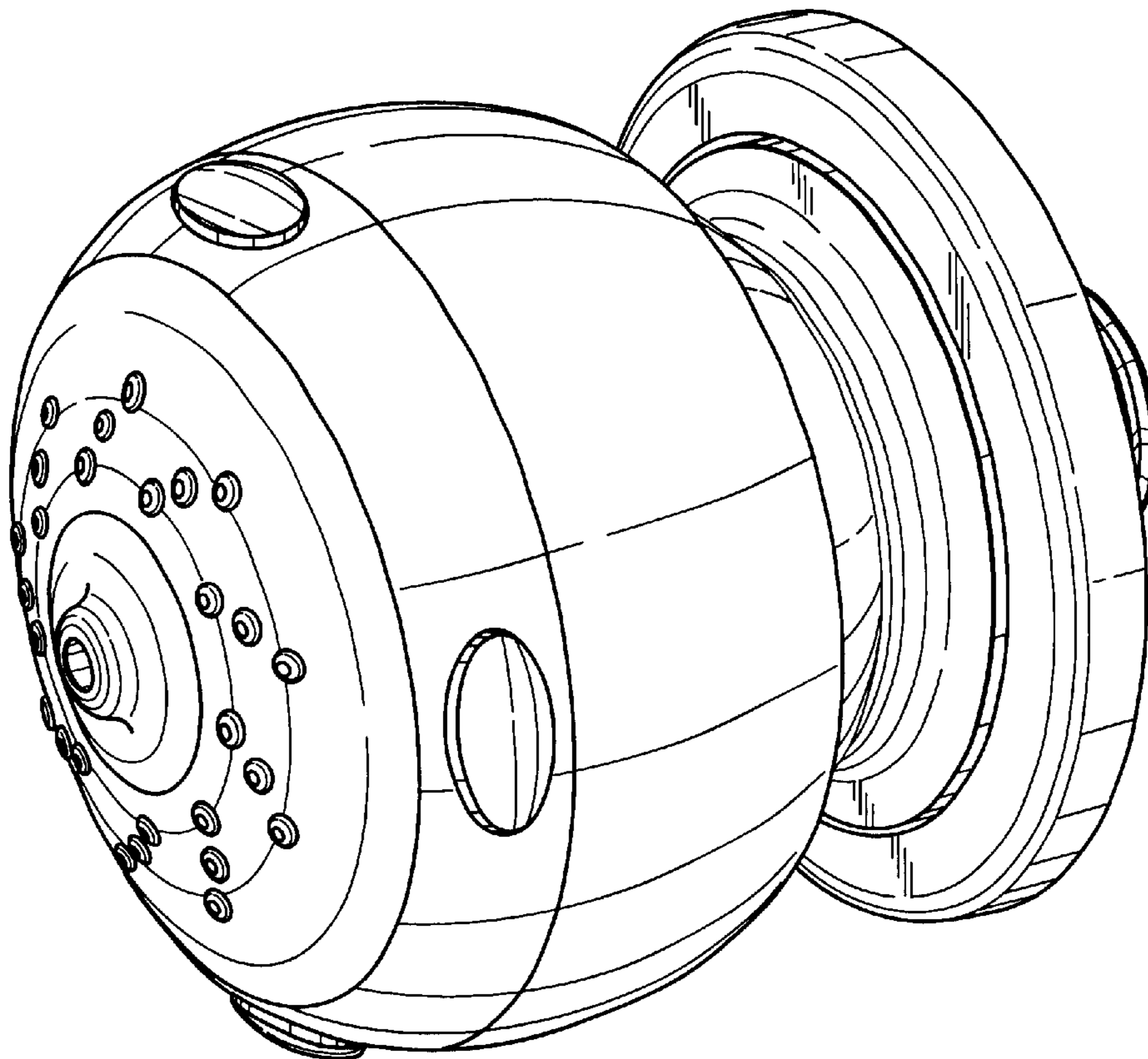
FIG. 1: is a side perspective view of the shower head, especially for body showers showing our new design;

FIG. 2: is a rear elevation view thereof;

FIG. 3: front elevation view thereof; and,

FIG. 4: is a side elevation view thereof (the opposite side being a mirror image).

**1 Claim, 2 Drawing Sheets**



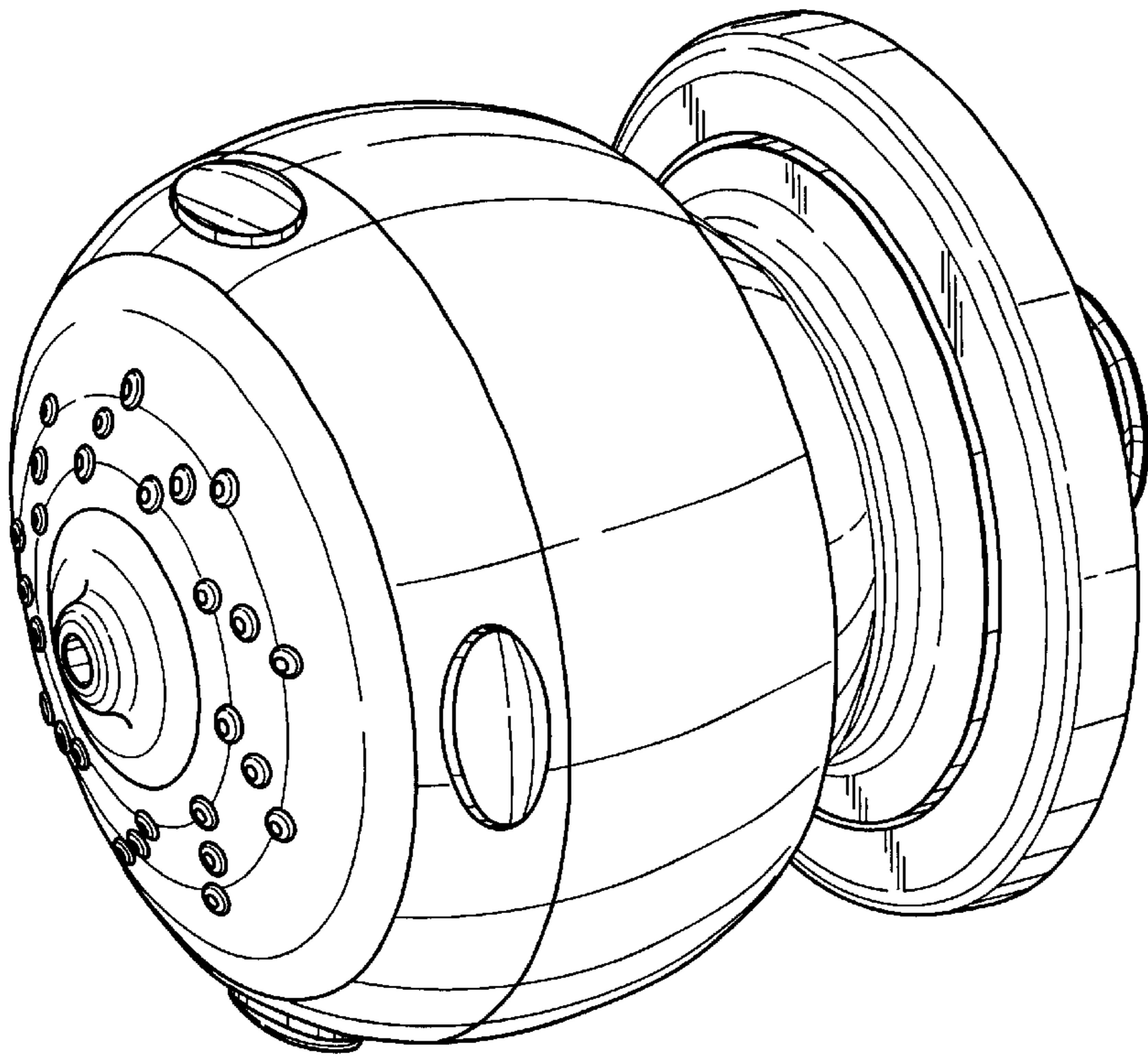


FIG. 1

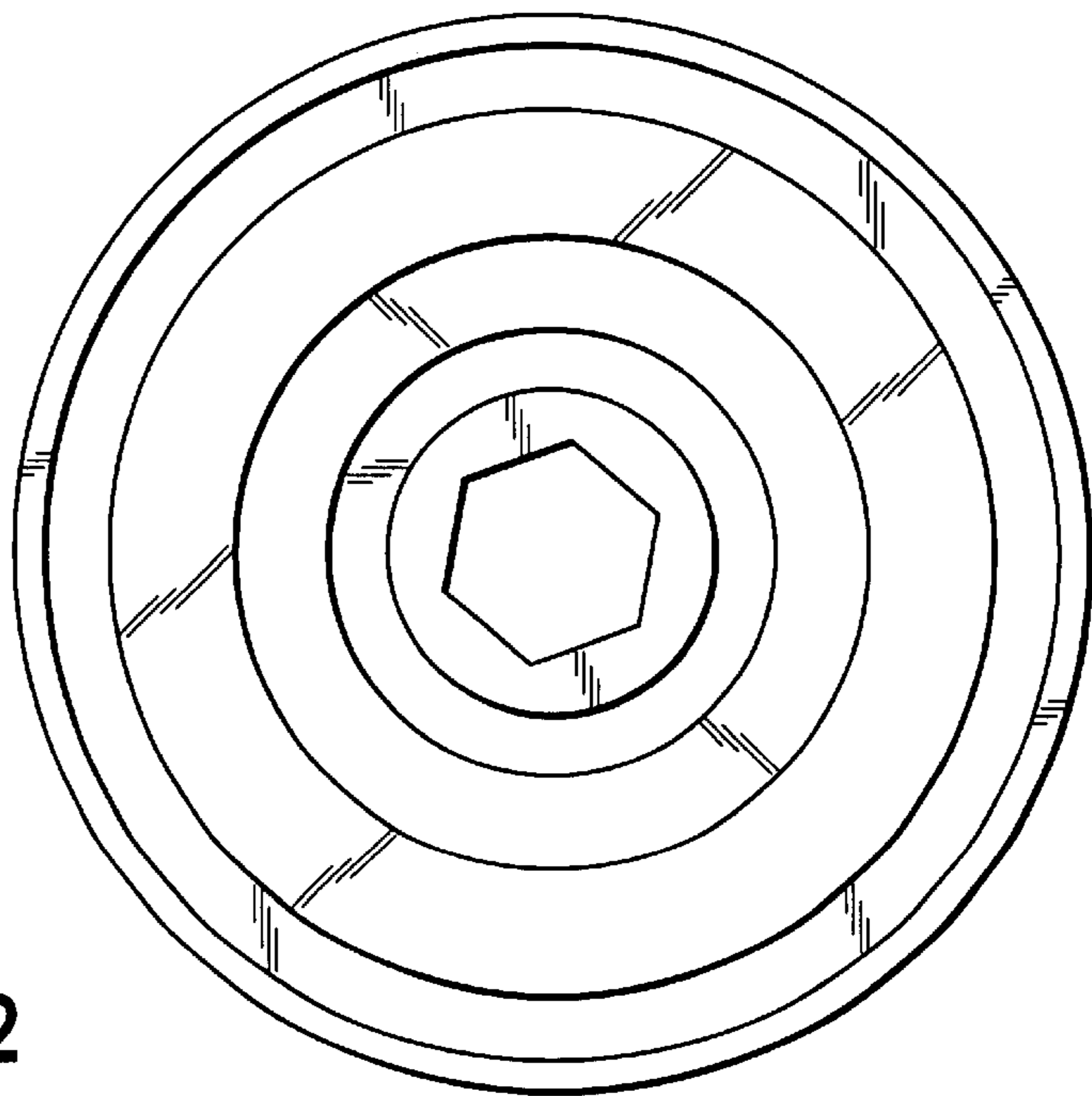


FIG. 2

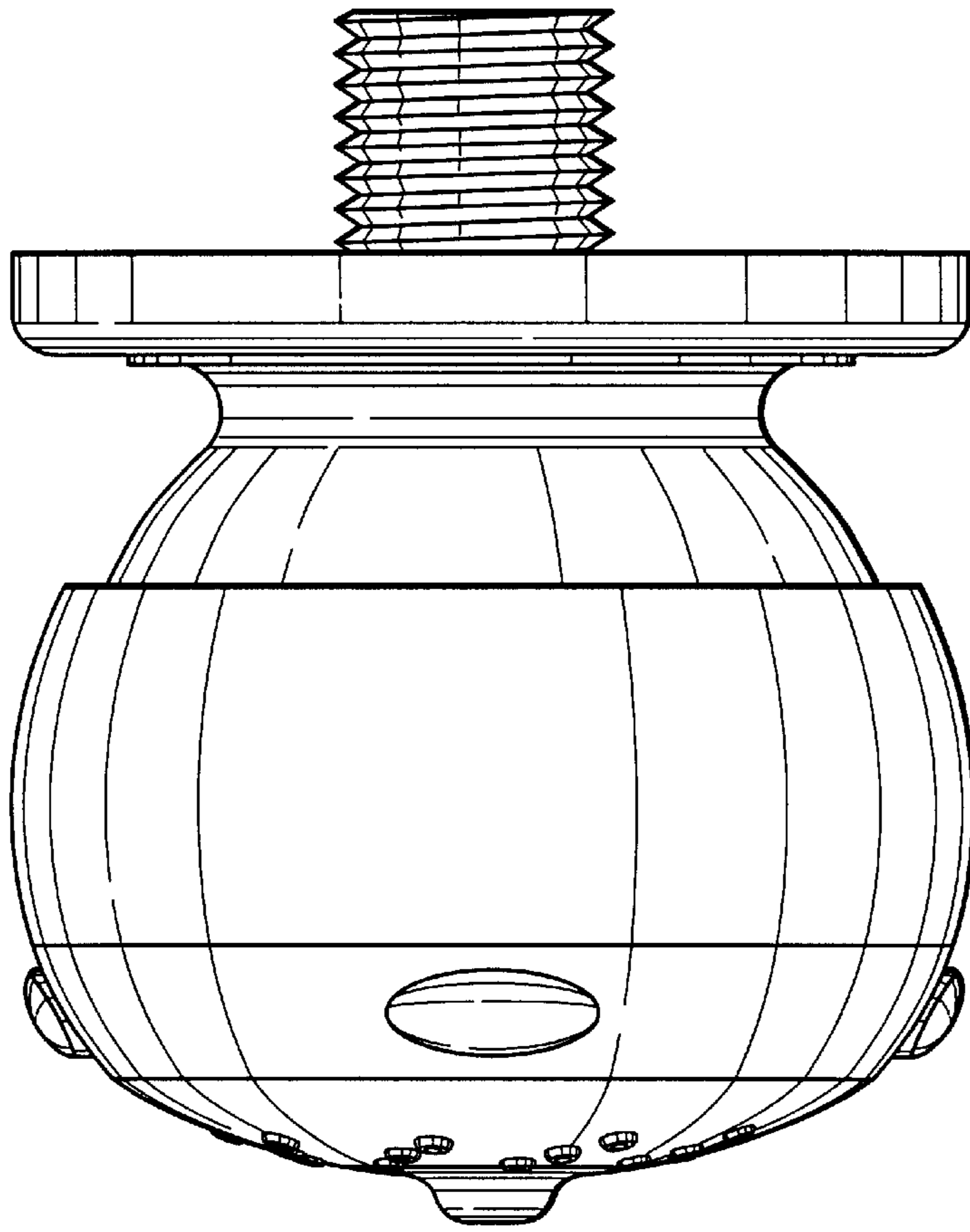


FIG. 4

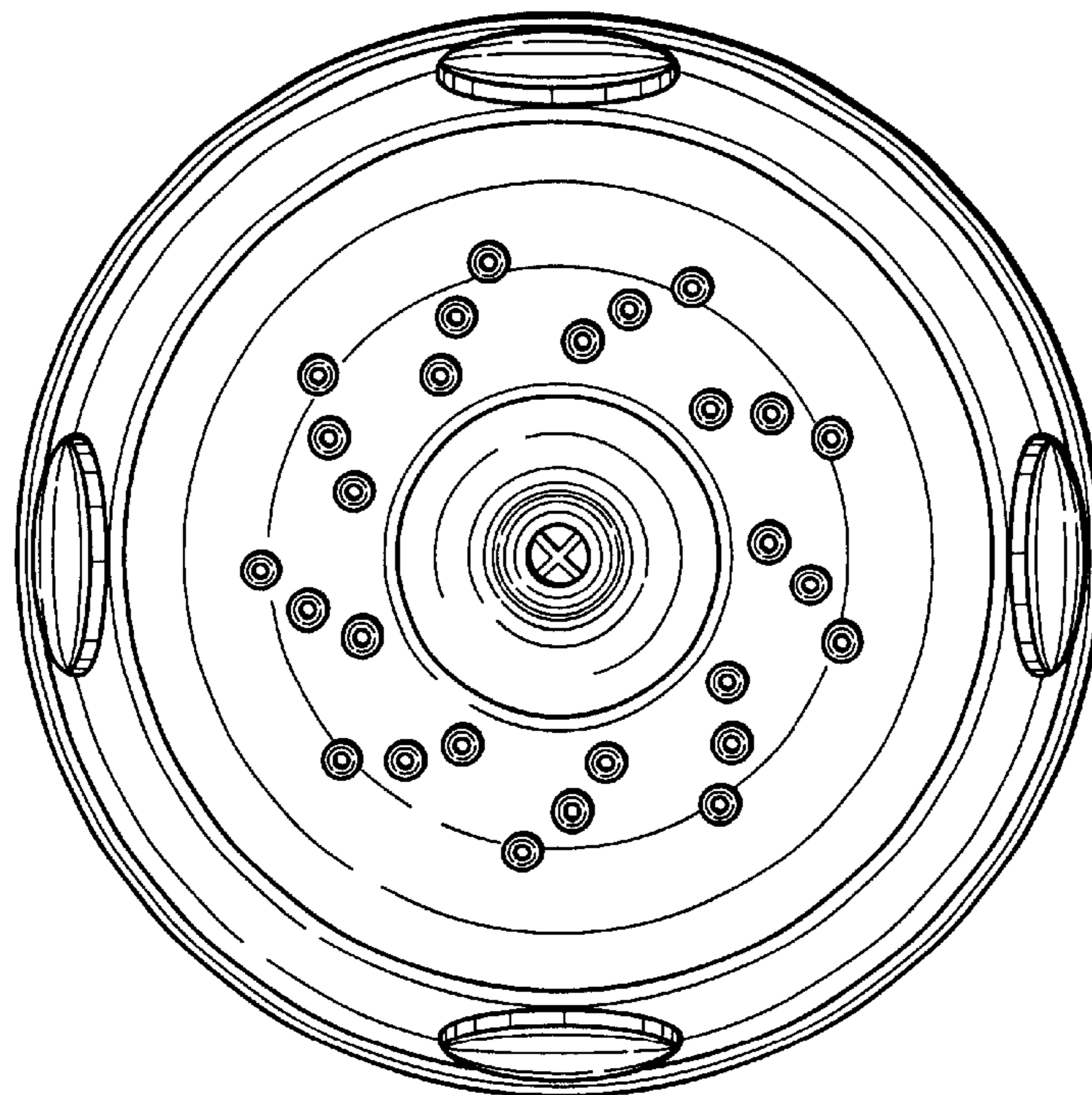


FIG. 3