



US00D487300S

(12) **United States Design Patent**
Clivio

(10) **Patent No.:** **US D487,300 S**

(45) **Date of Patent:** **** Mar. 2, 2004**

(54) **SPRINKLER**

(75) Inventor: **Franco Clivio**, Erlenbach (CH)

(73) Assignee: **Gardena Manufacturing GmbH** (DE)

(**) Term: **14 Years**

(21) Appl. No.: **29/176,053**

(22) Filed: **Feb. 14, 2003**

(30) **Foreign Application Priority Data**

Aug. 15, 2002 (DE) 4 02 06 806

(51) **LOC (7) Cl.** **23-01**

(52) **U.S. Cl.** **D23/214**

(58) **Field of Search** D23/213, 214,
D23/216; 239/390, 391, 242

(56) **References Cited**

U.S. PATENT DOCUMENTS

D245,915 S * 9/1977 Pearson D23/214

D315,192 S * 3/1991 Clivio D23/214

D383,830 S * 9/1997 Guo D23/214

D415,248 S * 10/1999 Roman D23/214

D465,260 S * 11/2002 Chen D23/214

D467,301 S * 12/2002 Clivio D23/214

* cited by examiner

Primary Examiner—Robin V. Taylor

(74) *Attorney, Agent, or Firm*—Akerman Senterfitt

(57) **CLAIM**

The ornamental design for a sprinkler, as shown and described.

DESCRIPTION

FIG. 1: is a side perspective view of a sprinkler showing my new design;

FIG. 2: is a top plan view thereof;

FIG. 3: is a side elevation view thereof;

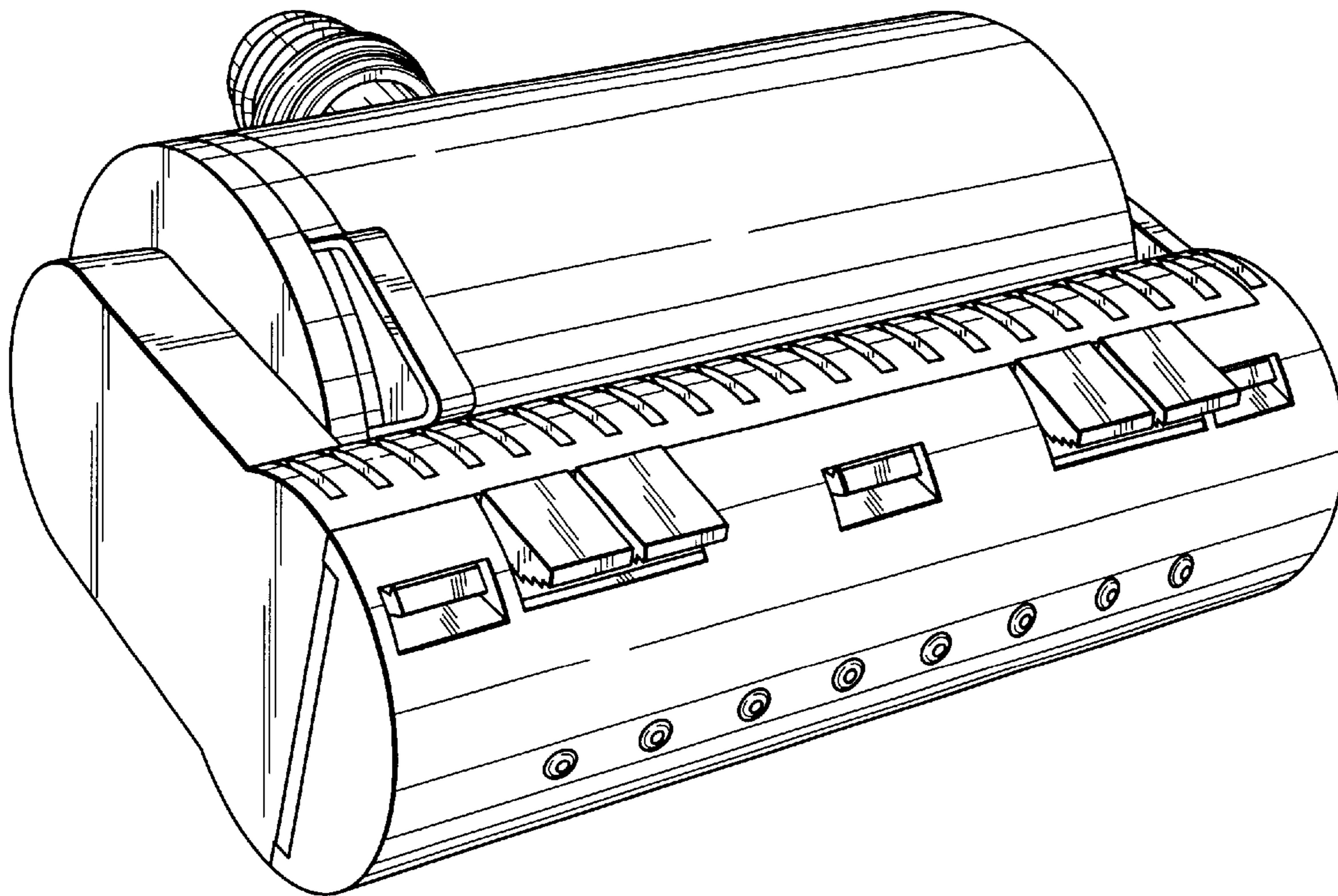
FIG. 4: is a bottom plan view thereof;

FIG. 5: is the opposite side elevation view thereof;

FIG. 6: is a rear elevation view thereof; and,

FIG. 7: is a front elevation view thereof.

1 Claim, 4 Drawing Sheets



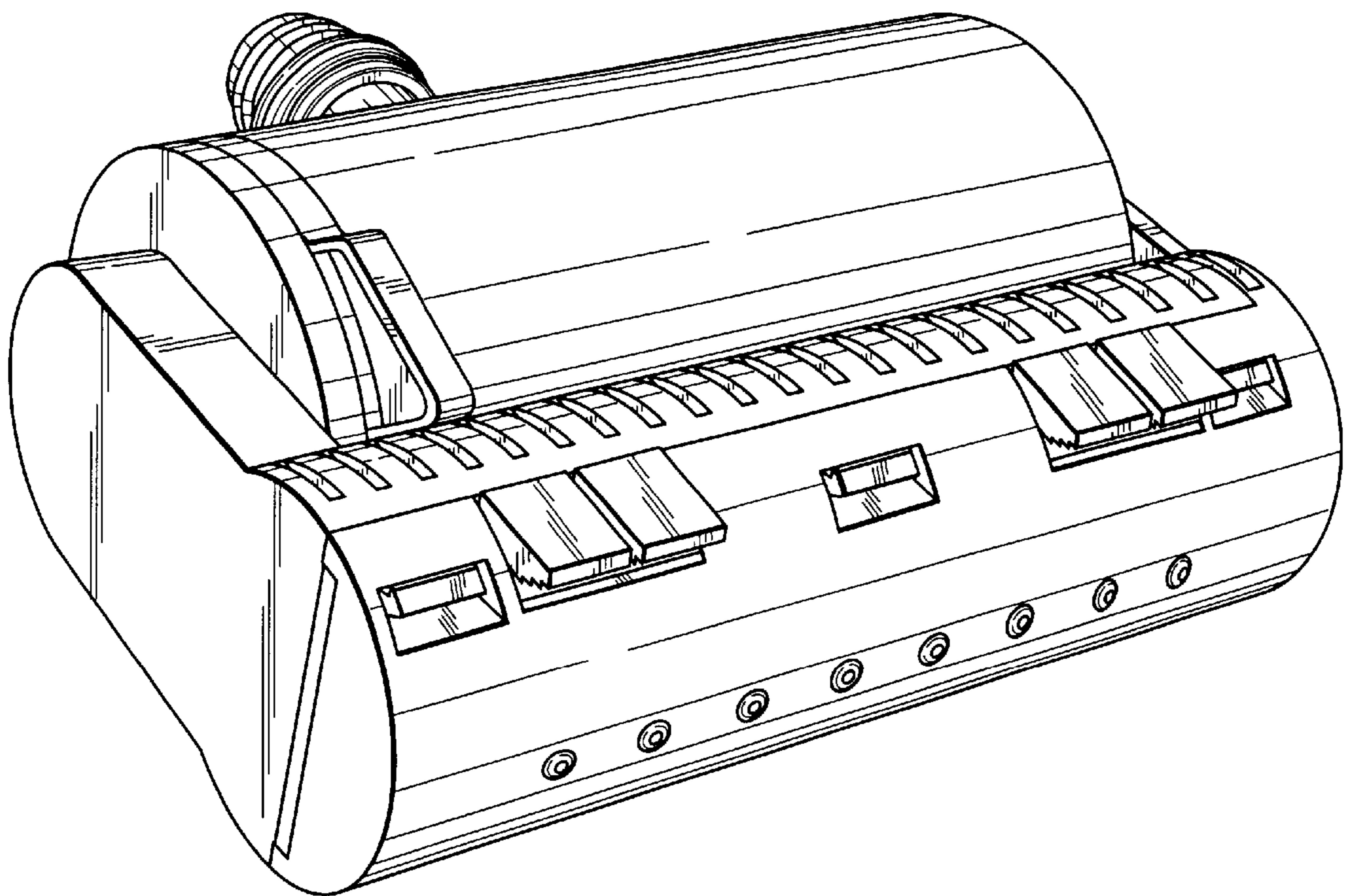


FIG. 1

FIG. 3

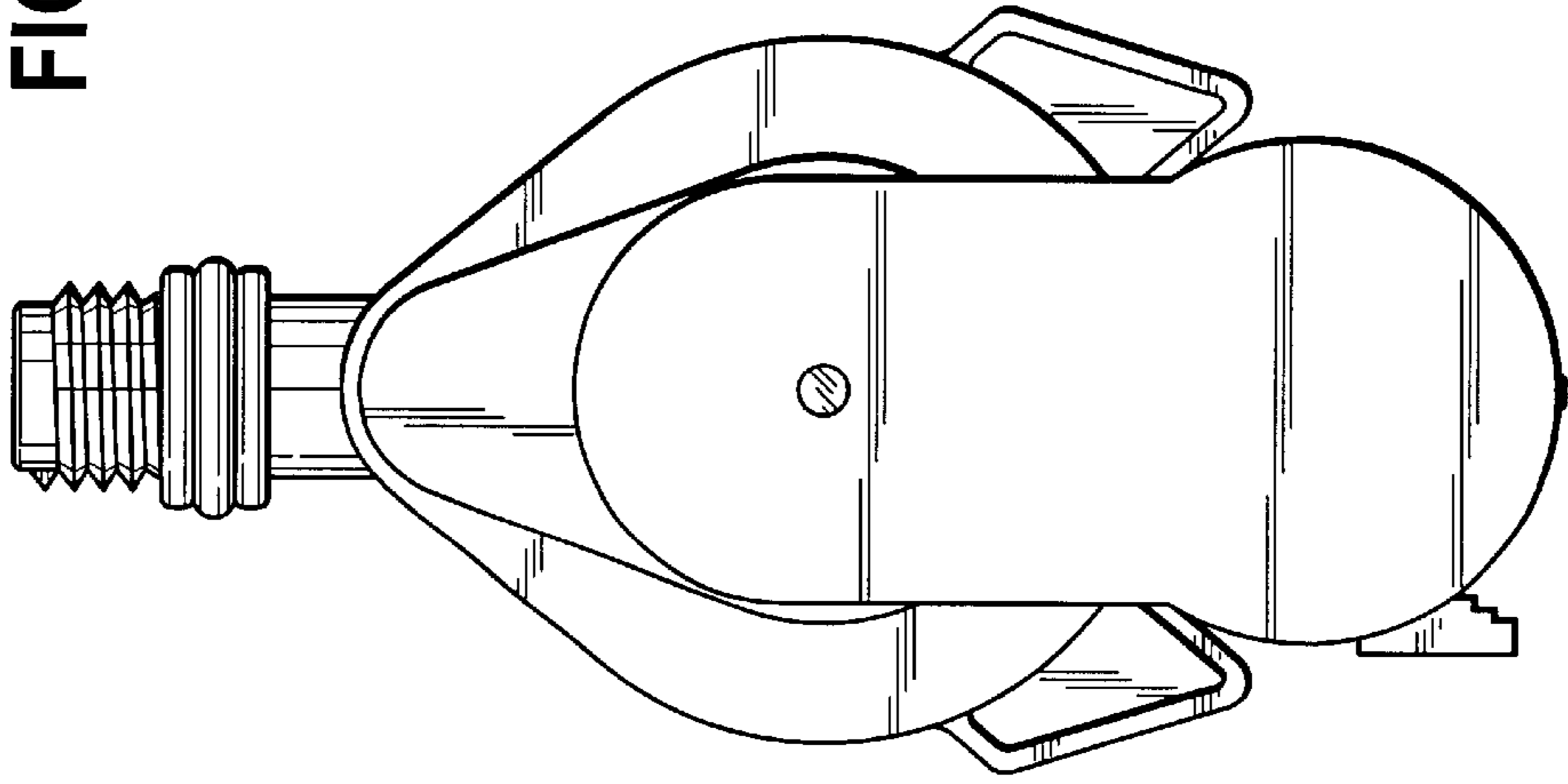


FIG. 2

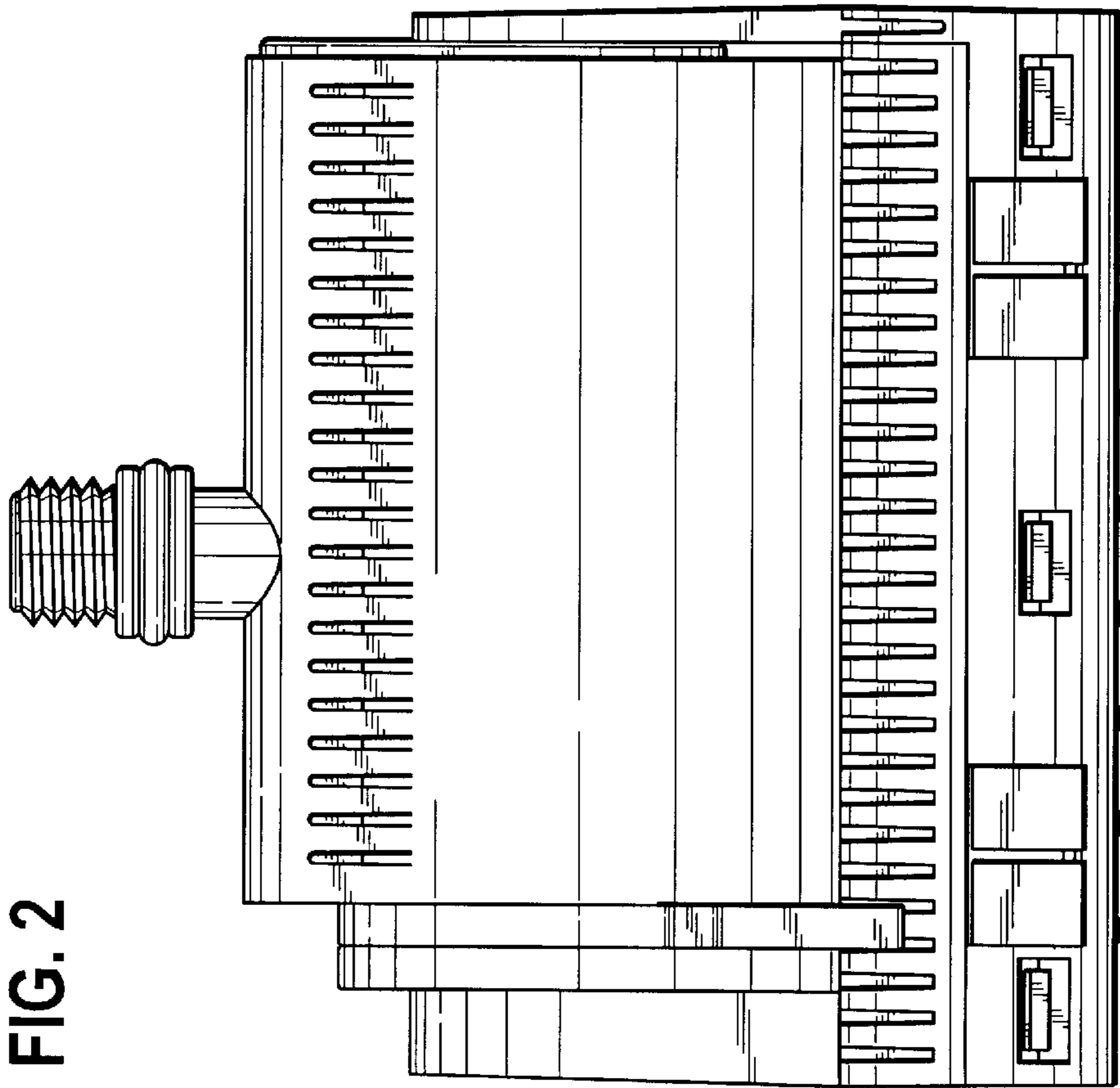


FIG. 5

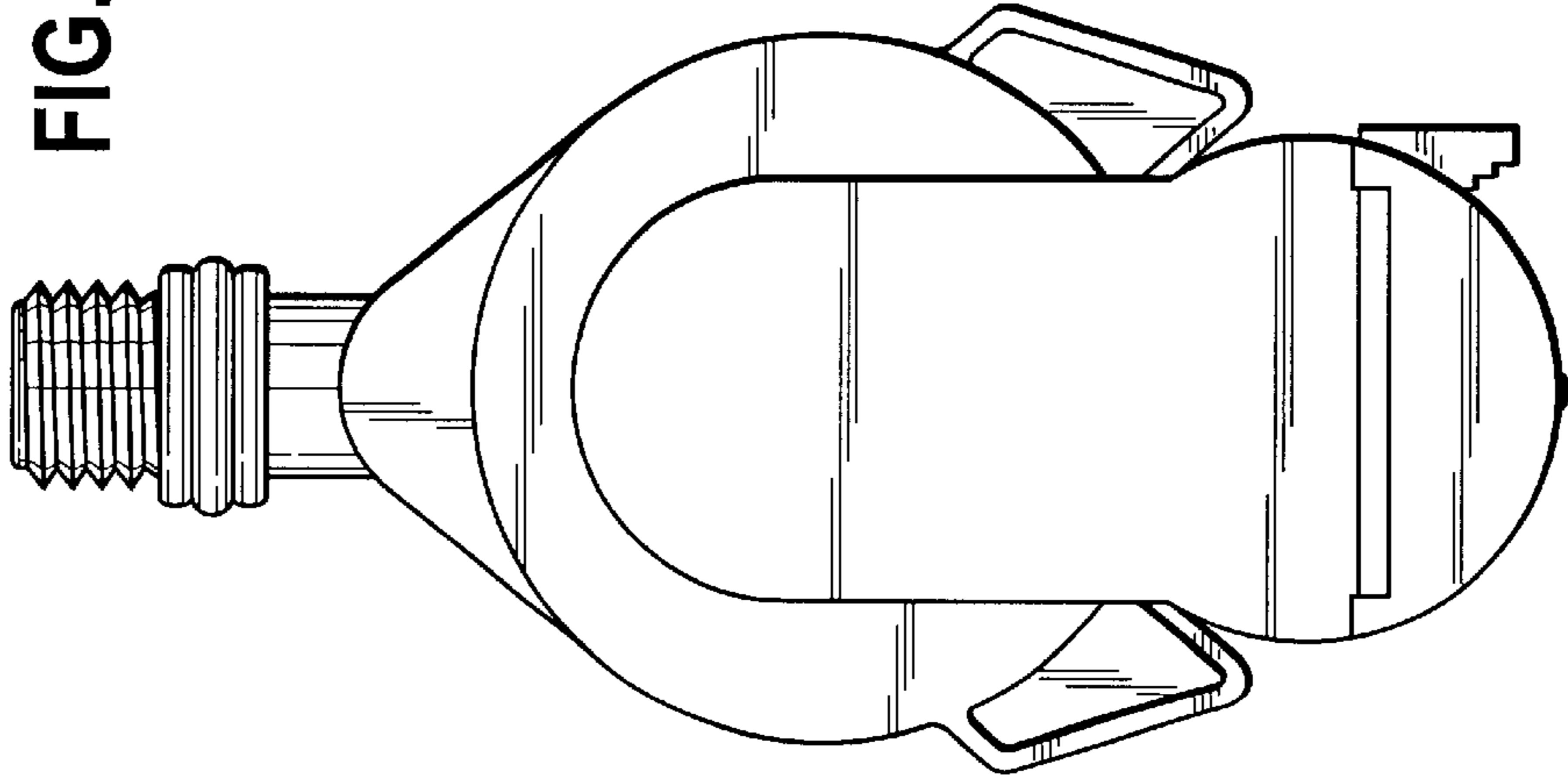


FIG. 4

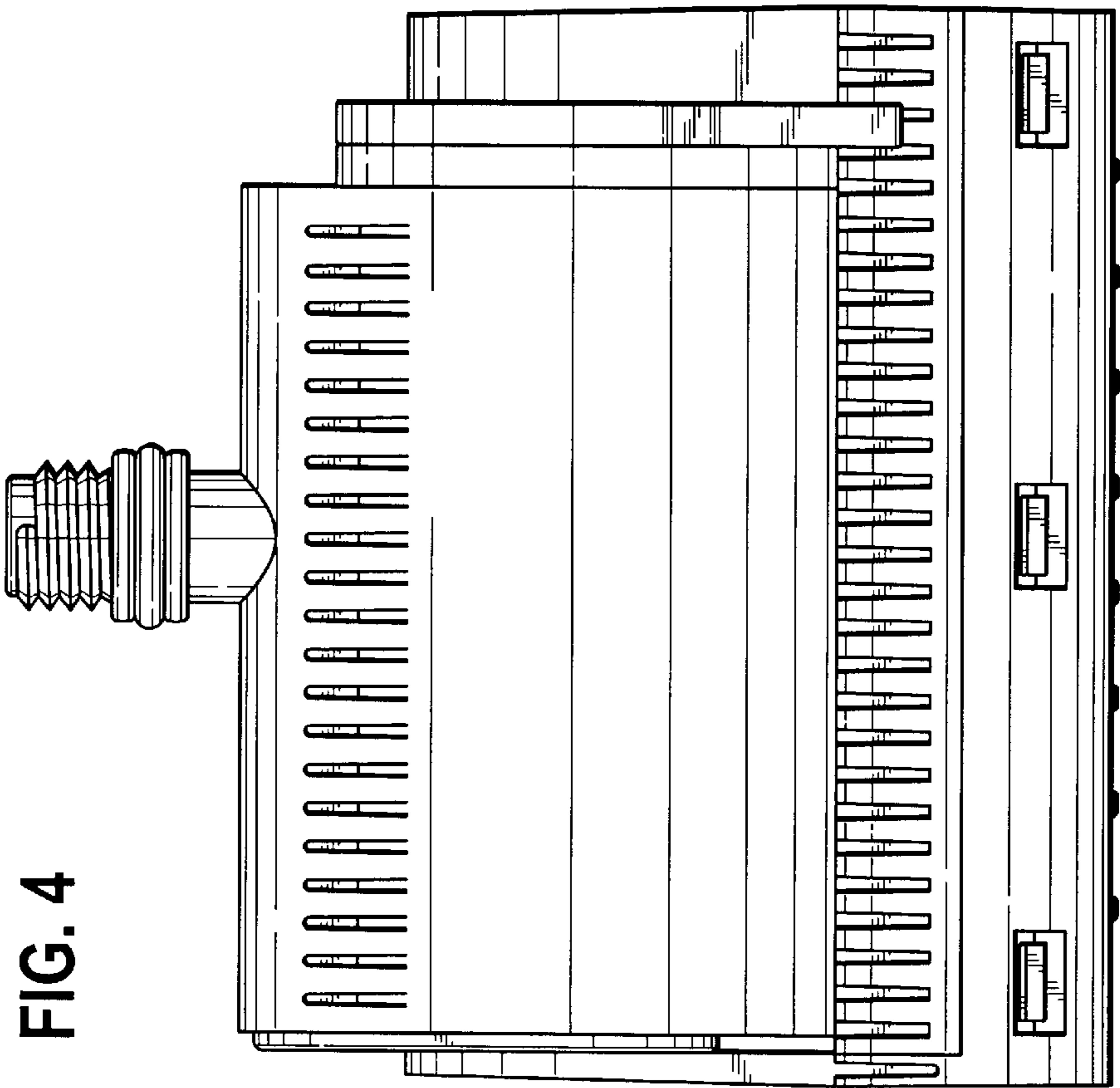


FIG. 6

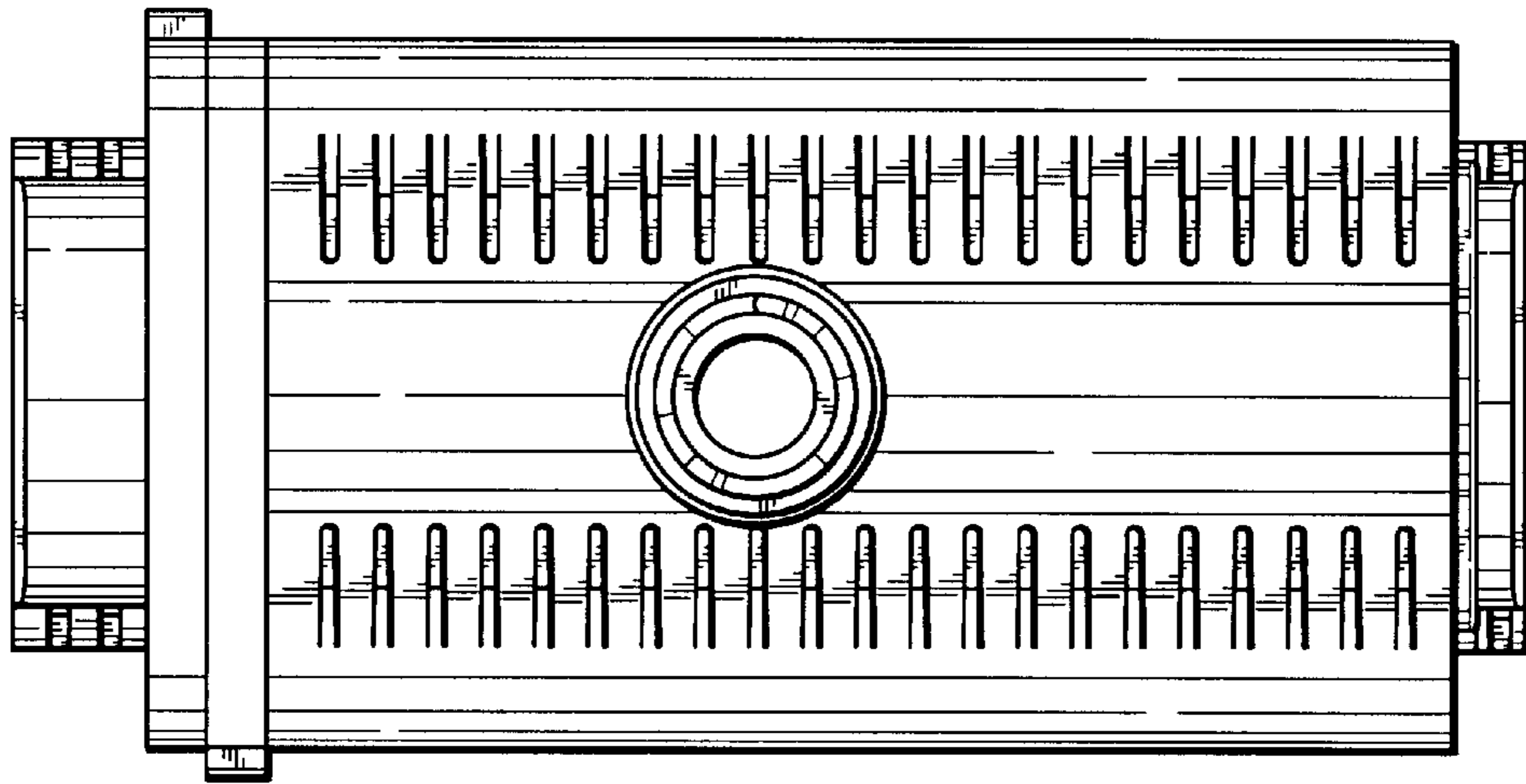


FIG. 7

