



US00D487299S

(12) **United States Design Patent**
Clivio

(10) **Patent No.:** **US D487,299 S**

(45) **Date of Patent:** **** Mar. 2, 2004**

(54) **ENDLINE DRIP HEAD FOR USE IN WATERING SYSTEMS**

(75) Inventor: **Franco Clivio**, Erlenbach (CH)

(73) Assignee: **Gardena Manufacturing GmbH** (DE)

(**) Term: **14 Years**

(21) Appl. No.: **29/176,052**

(22) Filed: **Feb. 14, 2003**

(30) **Foreign Application Priority Data**

Aug. 15, 2002 (DE) 4 02 06 806

(51) **LOC (7) Cl.** **23-01**

(52) **U.S. Cl.** **D23/213**

(58) **Field of Search** D23/213, 214;
D8/2; 47/79; 239/542, 547

(56) **References Cited**

U.S. PATENT DOCUMENTS

- 3,815,831 A * 6/1974 Jooste 239/498
- 5,246,170 A * 9/1993 Woidt 239/520
- 5,294,058 A * 3/1994 Einav 239/533.1
- 5,316,220 A * 5/1994 Dinur 239/542
- 5,820,028 A * 10/1998 Dinur 239/542

OTHER PUBLICATIONS

Gardena catalog "Handlerkatalog" 2002, published Oct. 2001, pp. 28, 29 and cover page.
Claber catalog "Gardenlife", 1999, p. 68 and cover page.

Nelson catalog 2001, published 2000, pp. 14, 15 and cover page.

Rain Bird catalog "Garden Line" 2001, p. 30 and cover page.

Hozelock catalog 2001, one page and cover page.

* cited by examiner

Primary Examiner—Robin V. Taylor

(74) *Attorney, Agent, or Firm*—Akerman Senterfitt

(57) **CLAIM**

The ornamental design for an endline drip head for use in watering systems, as shown and described.

DESCRIPTION

FIG. 1: is a side perspective view of an endline drip head for use in watering systems showing my new design;

FIG. 2: is a side elevation view thereof;

FIG. 3: is a top plan view thereof;

FIG. 4: is a front elevation view thereof;

FIG. 5: is the opposite side elevation view thereof;

FIG. 6: is a rear elevation view thereof; and,

Fig. 7: is a bottom plan view thereof.

1 Claim, 2 Drawing Sheets

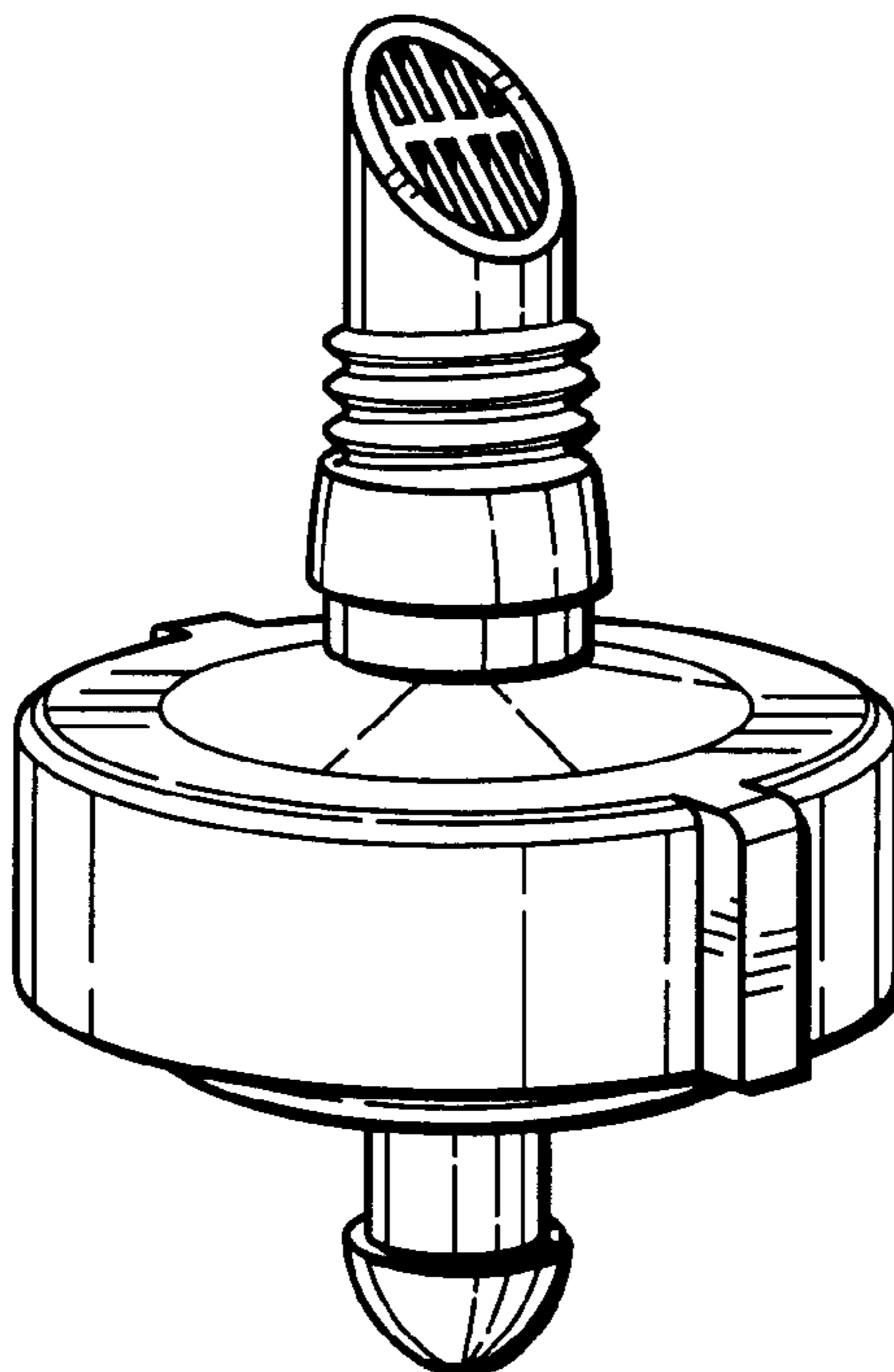


Fig. 1

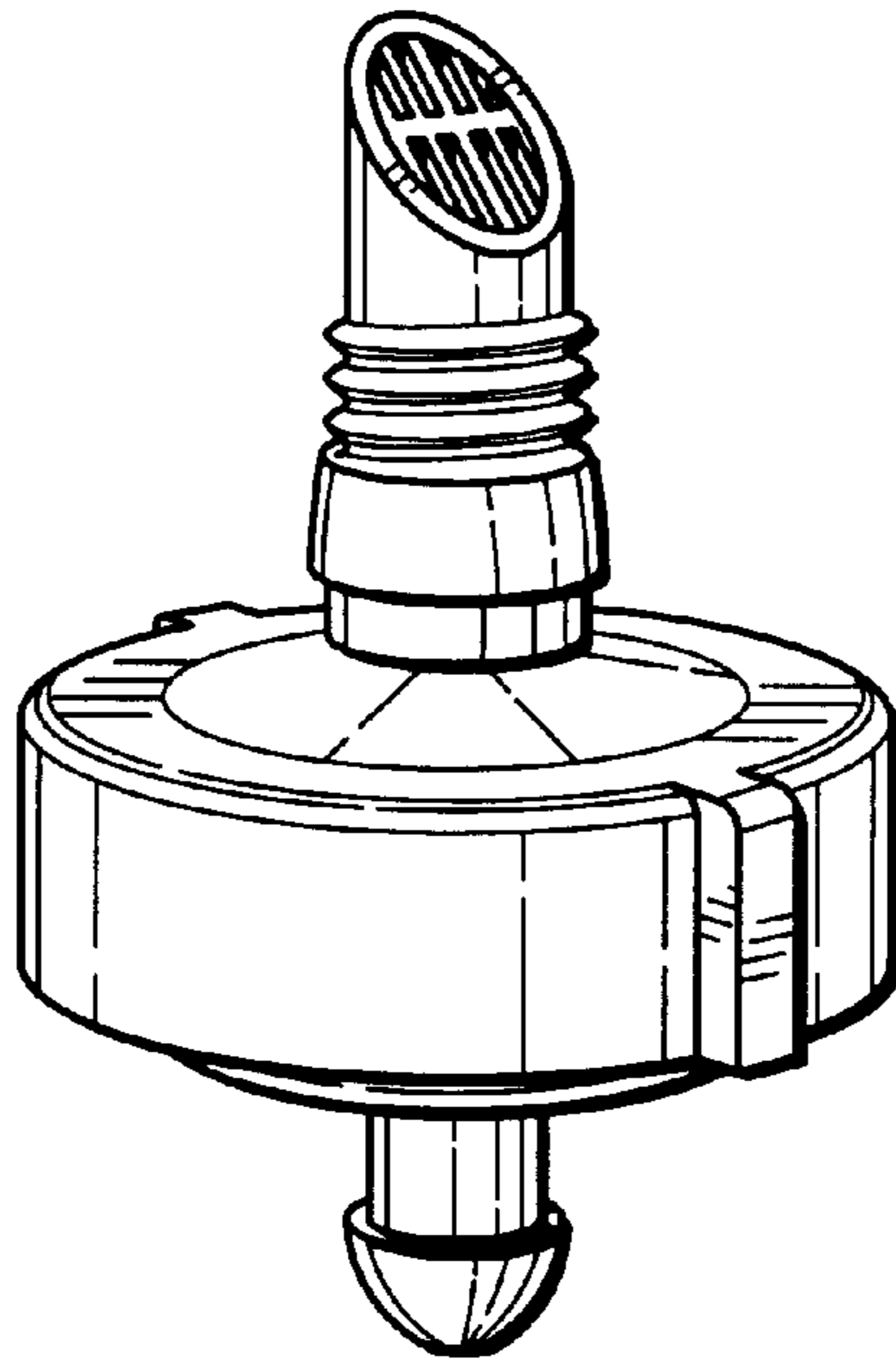


Fig. 2

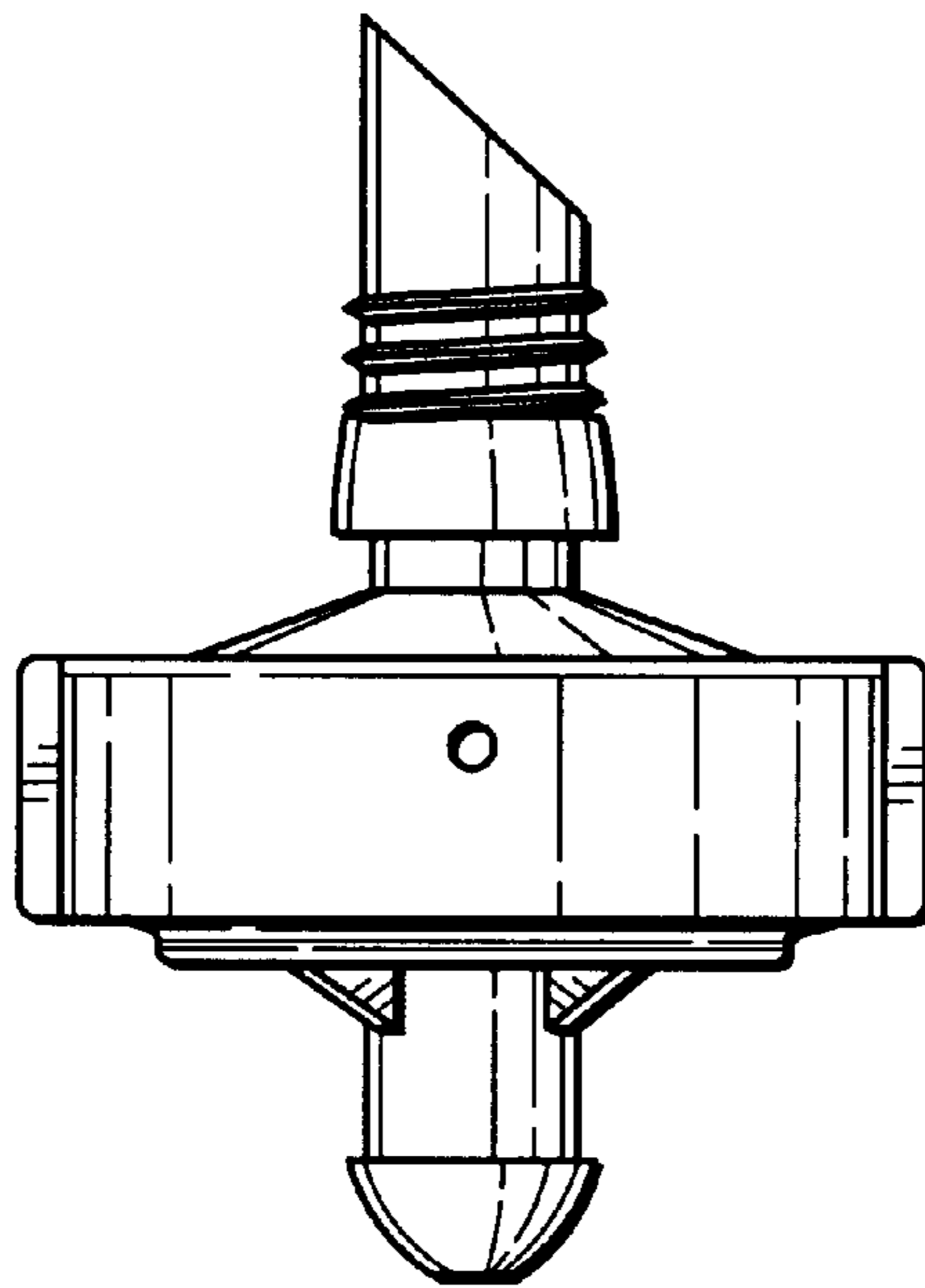


Fig. 3

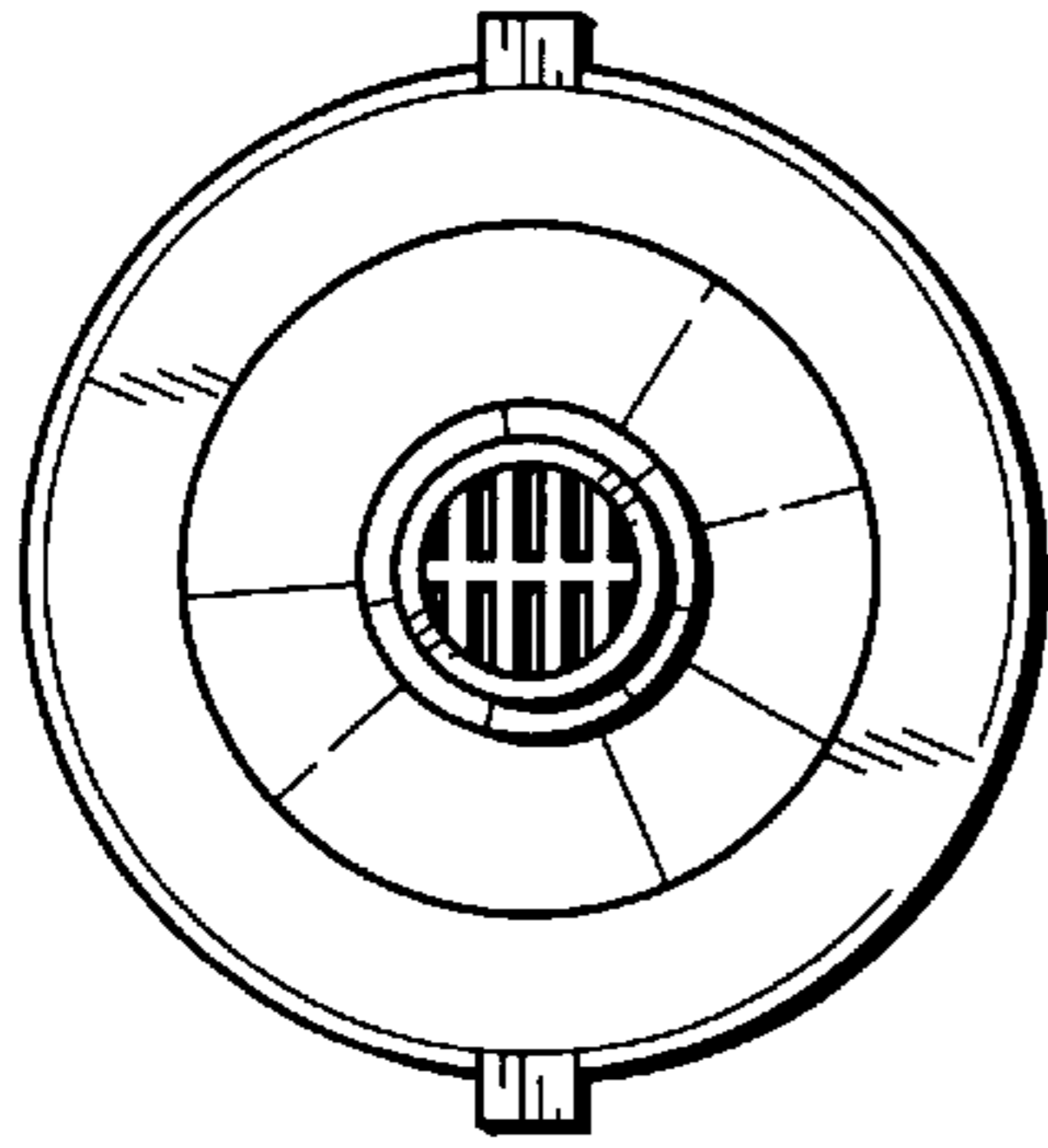


Fig. 4

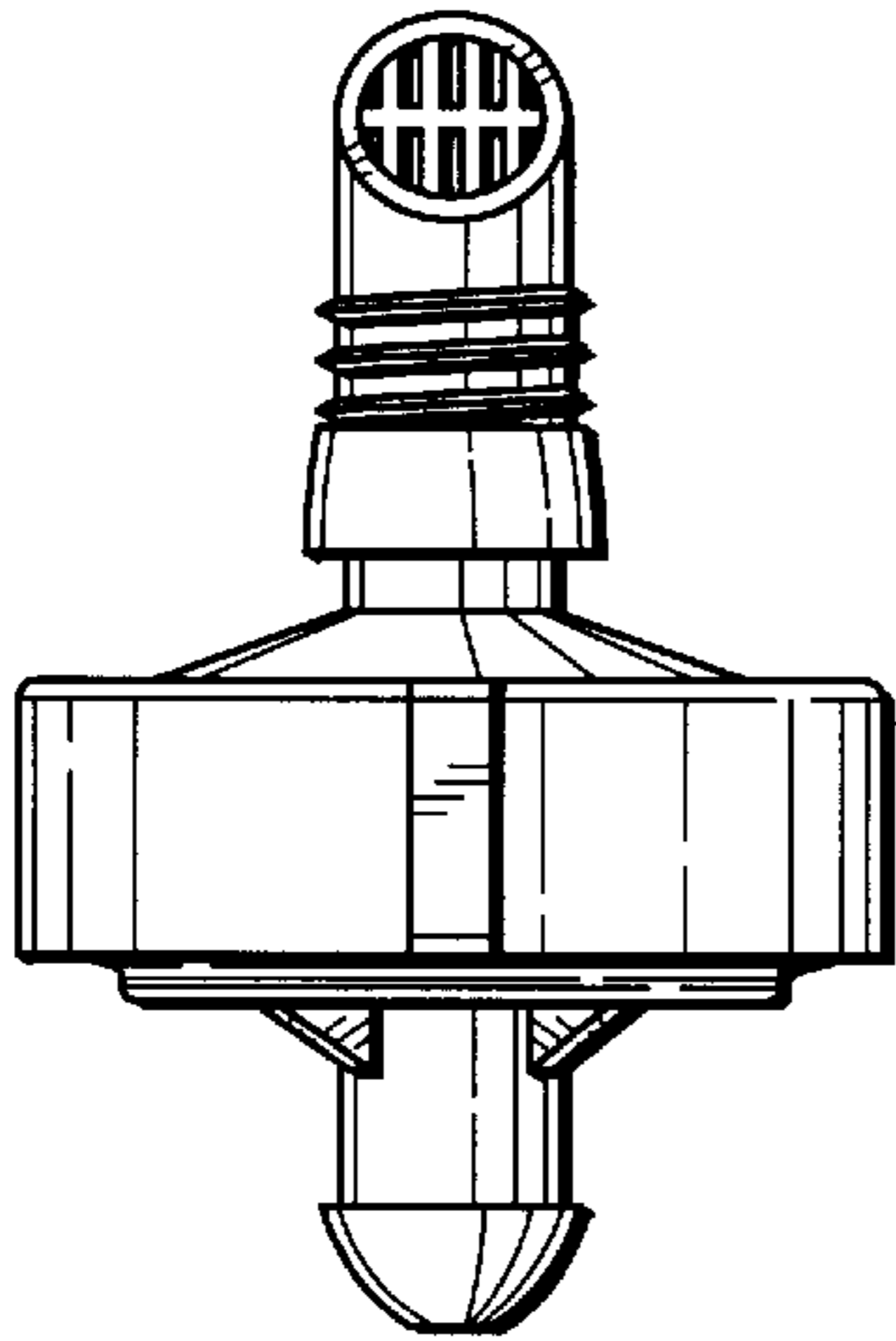


Fig. 5

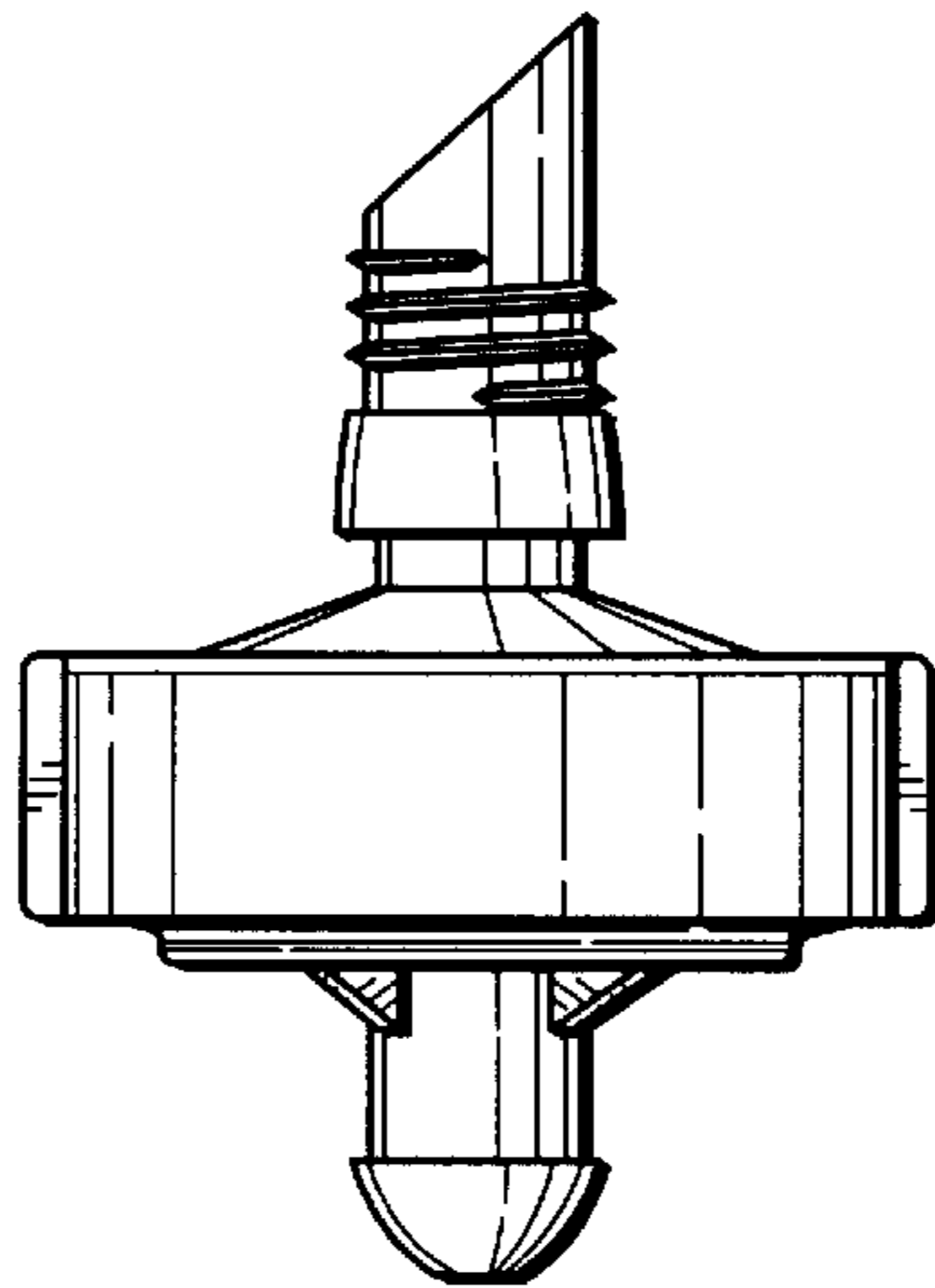


Fig. 6

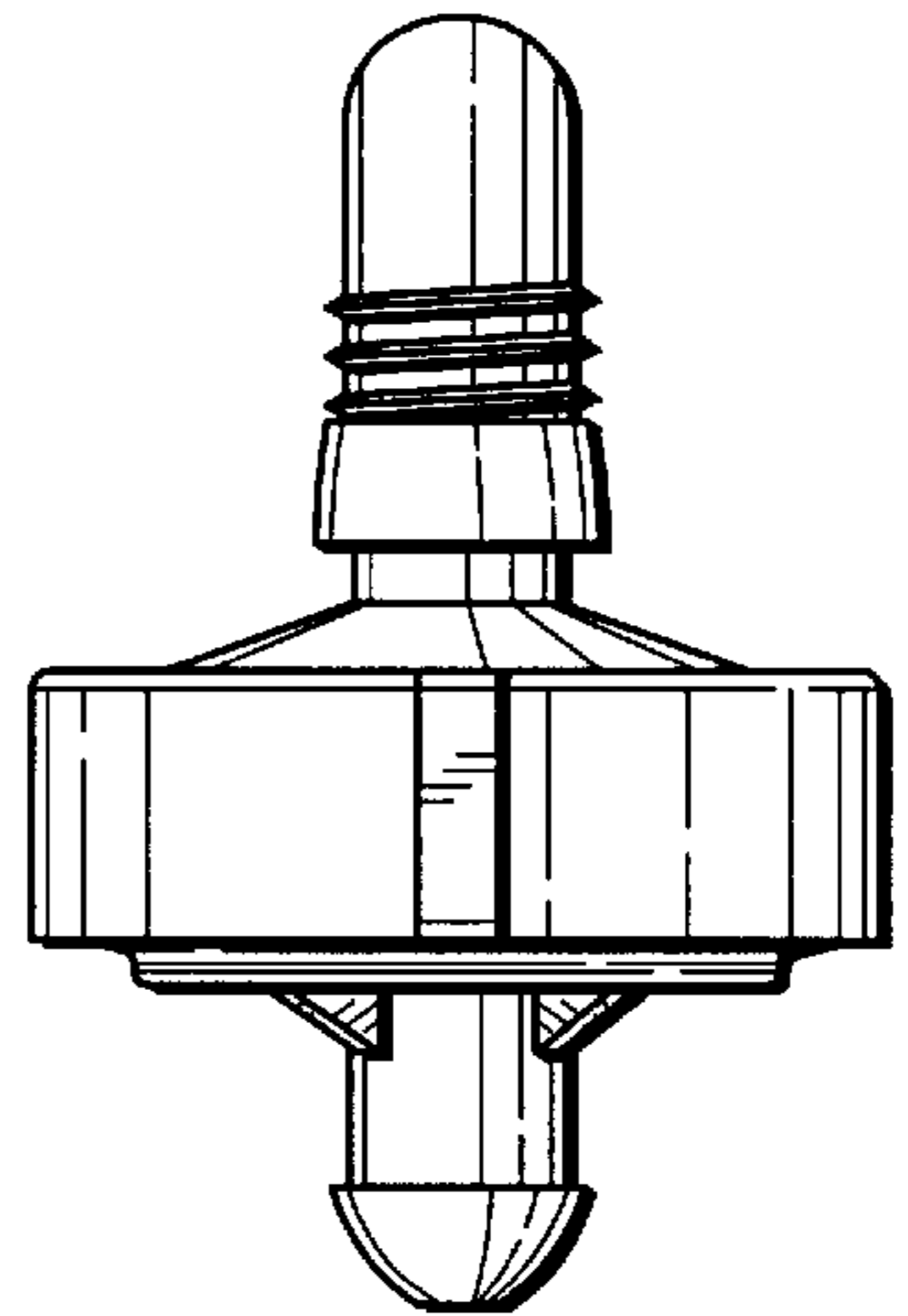


Fig. 7

