



US00D487295S

(12) **United States Design Patent**
Smith

(10) **Patent No.:** **US D487,295 S**
(45) **Date of Patent:** **** Mar. 2, 2004**

(54) **GOLF PUTTER HEAD**

(76) Inventor: **V. Cranston Smith**, P.O. Box 1609,
Cashiers, NC (US) 28717

(**) Term: **14 Years**

(21) Appl. No.: **29/175,846**

(22) Filed: **Feb. 11, 2003**

(51) **LOC (7) Cl.** **21-02**

(52) **U.S. Cl.** **D21/736**

(58) **Field of Search** D21/736-746;
473/324, 327-331, 340, 341, 251-256

5,746,664 A	5/1998	Reynolds, Jr.	
5,769,737 A	6/1998	Holladay et al.	
5,827,131 A	10/1998	Mahaffey et al.	
5,839,974 A	11/1998	McAllister	
5,938,540 A	8/1999	Lu	
D417,710 S	* 12/1999	Broom	D21/736
6,074,309 A	6/2000	Mahaffey	
D432,608 S	* 10/2000	Broom	D21/744
D438,923 S	* 3/2001	Broom	D21/744
6,277,032 B1	8/2001	Smith	
6,348,014 B1	2/2002	Chiu	
2002/0032075 A1	3/2002	Vatsvog	
2002/0098912 A1	7/2002	Anderson et al.	
2002/0115502 A1	8/2002	Fountain	
2002/0137576 A1	9/2002	Dammen	

* cited by examiner

(56) **References Cited**

U.S. PATENT DOCUMENTS

3,680,868 A	8/1972	Jacob	
D227,794 S	* 7/1973	Sasse	D21/738
3,979,122 A	9/1976	Belmont	
D245,721 S	* 9/1977	Koch	D21/738
D254,084 S	* 1/1980	Hulyk	D21/736
D285,955 S	* 9/1986	Brayak	D21/742
D295,204 S	* 4/1988	Brayak	D21/746
4,754,977 A	7/1988	Sahm	
4,828,266 A	5/1989	Tunstall	
D302,715 S	* 8/1989	Petersen	D21/740
4,869,507 A	9/1989	Sahm	
4,872,684 A	10/1989	Dippel	
4,895,371 A	1/1990	Bushner	
4,962,932 A	10/1990	Anderson	
5,004,237 A	* 4/1991	Antonious	473/313
5,244,210 A	9/1993	Au	
5,423,545 A	* 6/1995	Narry	473/253
5,429,356 A	7/1995	Dingle et al.	
5,441,274 A	8/1995	Clay	
D364,433 S	* 11/1995	Chiuminatta et al.	D21/737
D366,509 S	* 1/1996	Chiuminatta et al.	D21/743

Primary Examiner—Mitchell Siegel

(74) *Attorney, Agent, or Firm*—Hinkle & O’Bradovich, LLC

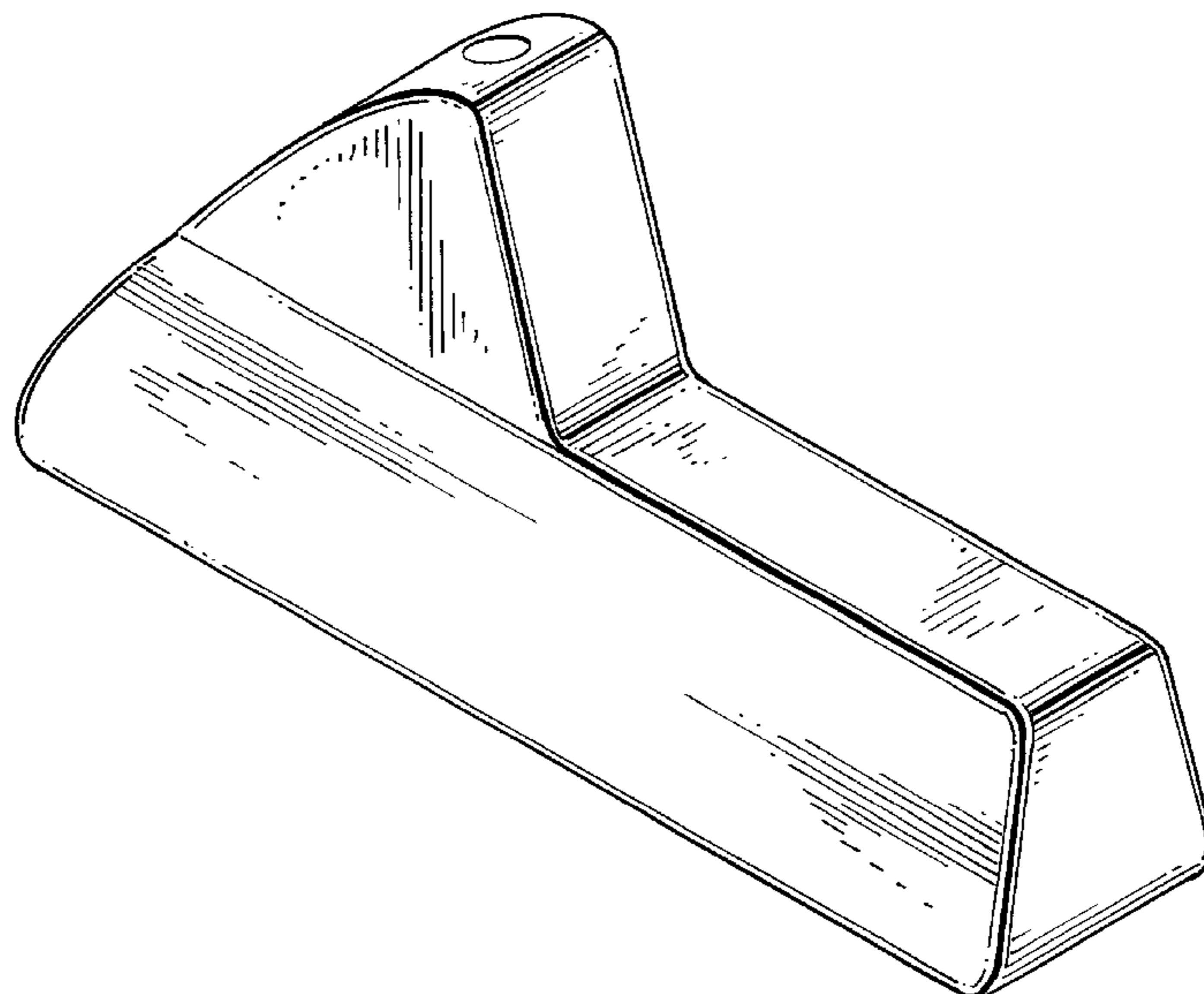
(57) **CLAIM**

The ornamental design for a golf putter head, as shown and described.

DESCRIPTION

FIG. 1 is an overall front perspective view of a golf putter head showing my new design;
FIG. 2 is an overall back perspective view thereof;
FIG. 3 is a top plan view;
FIG. 4 is a front elevation view;
FIG. 5 is a right side elevation view;
FIG. 6 is a left side elevation view;
FIG. 7 is a rear elevation view; and,
FIG. 8 is a bottom plan view.

1 Claim, 3 Drawing Sheets



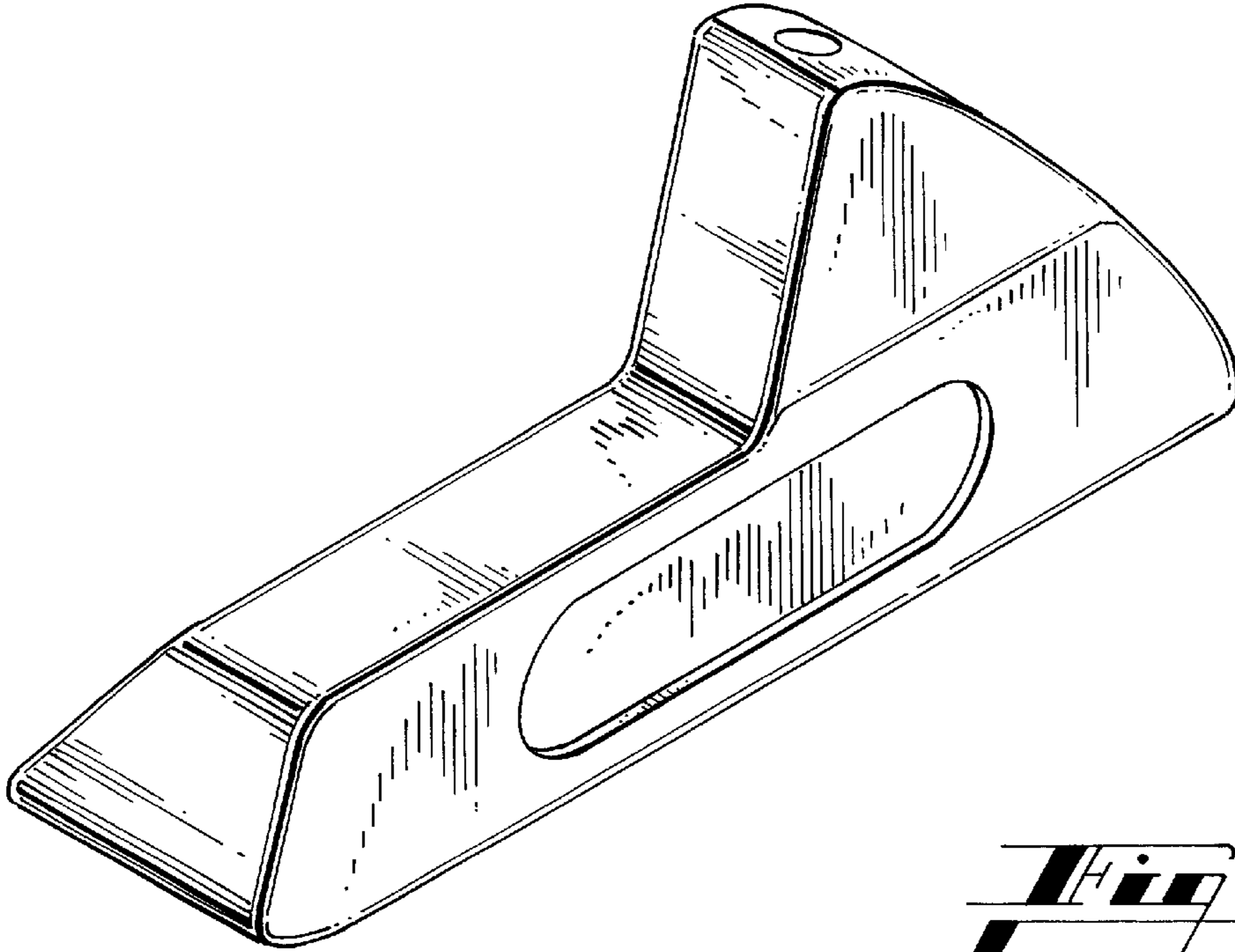


Fig. 1

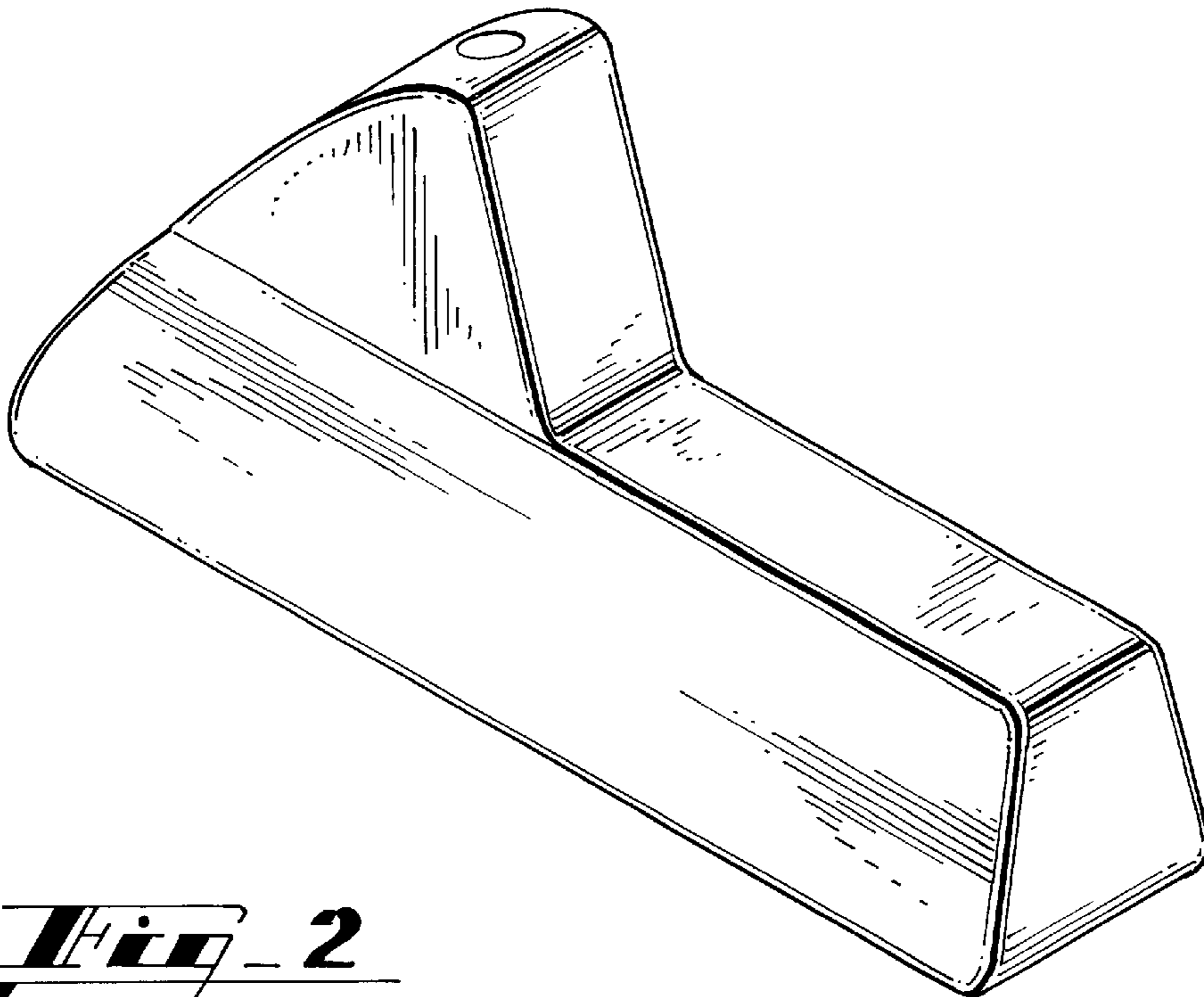


Fig. 2

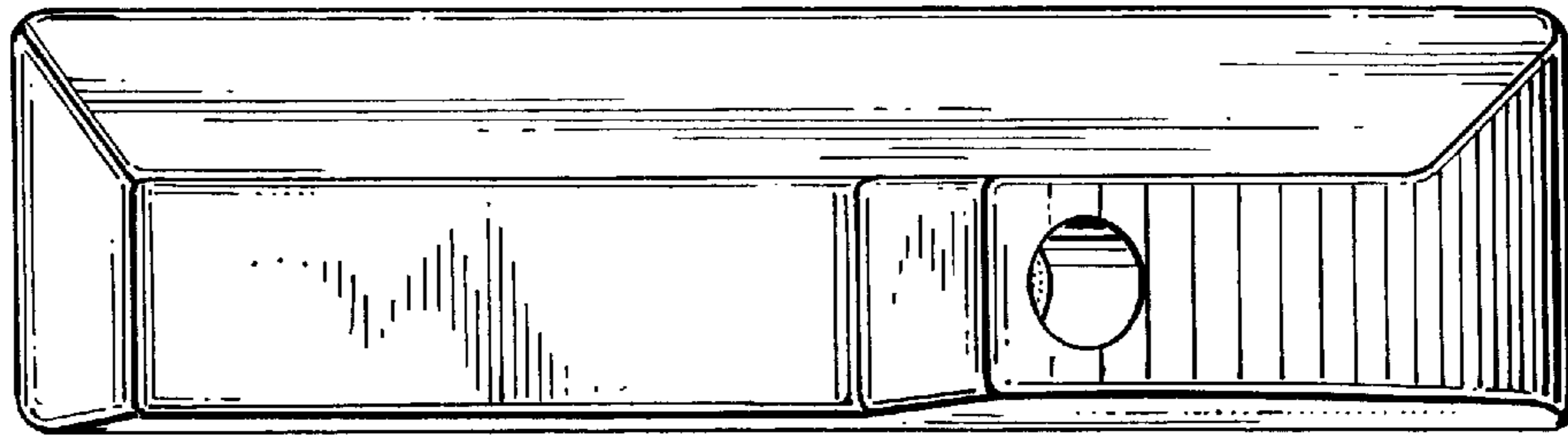


Fig. 1

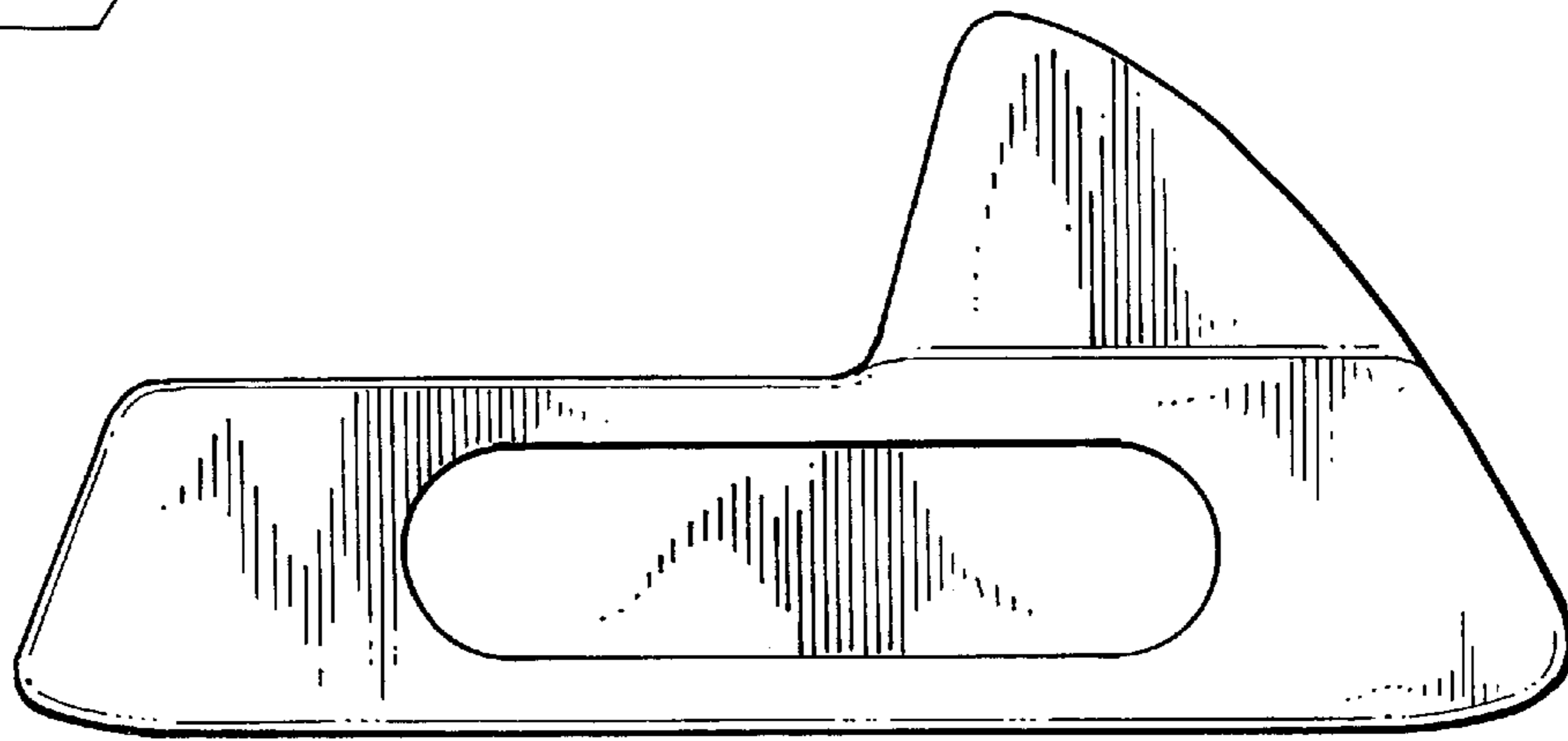


Fig. 2

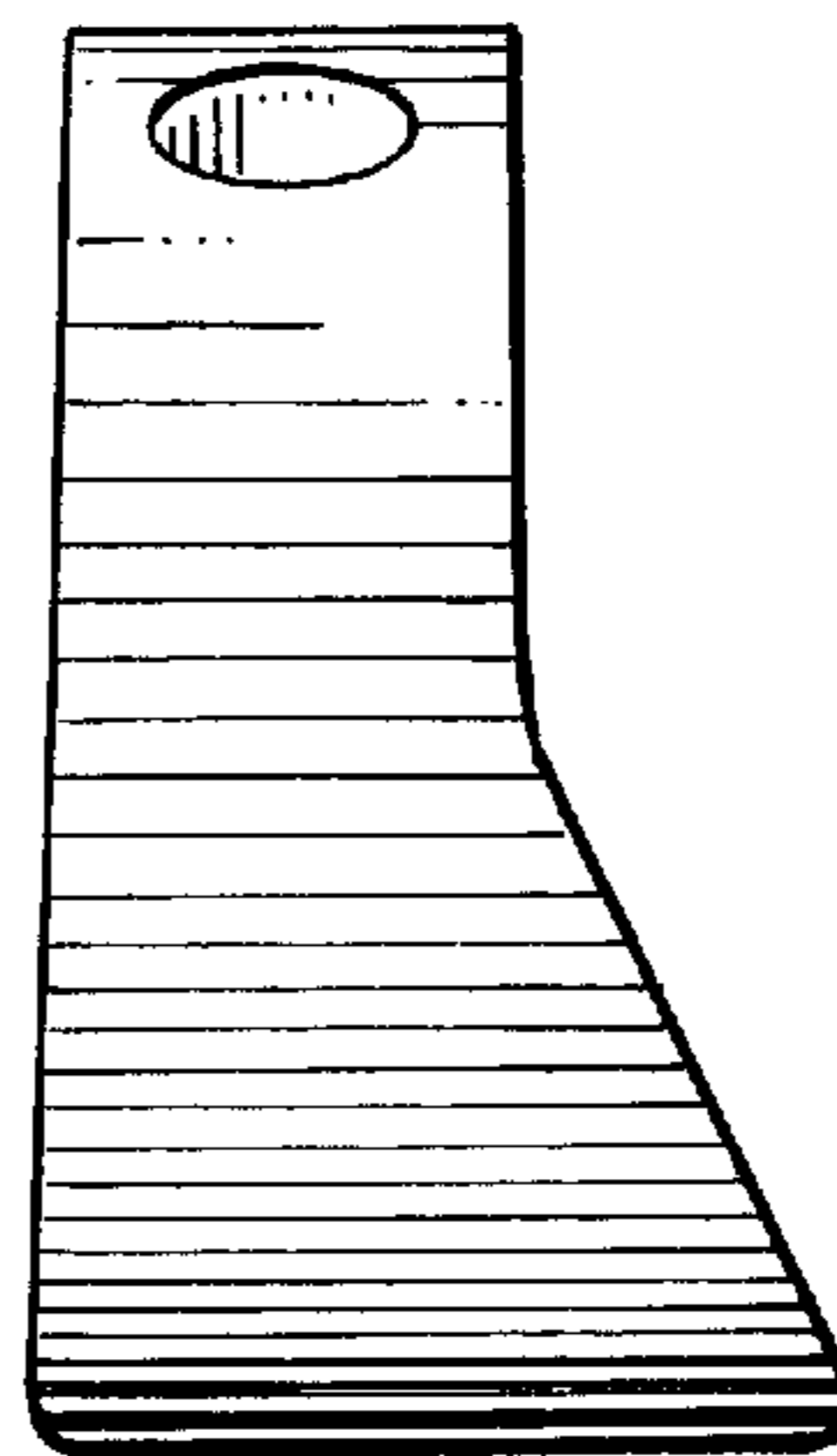


Fig. 3

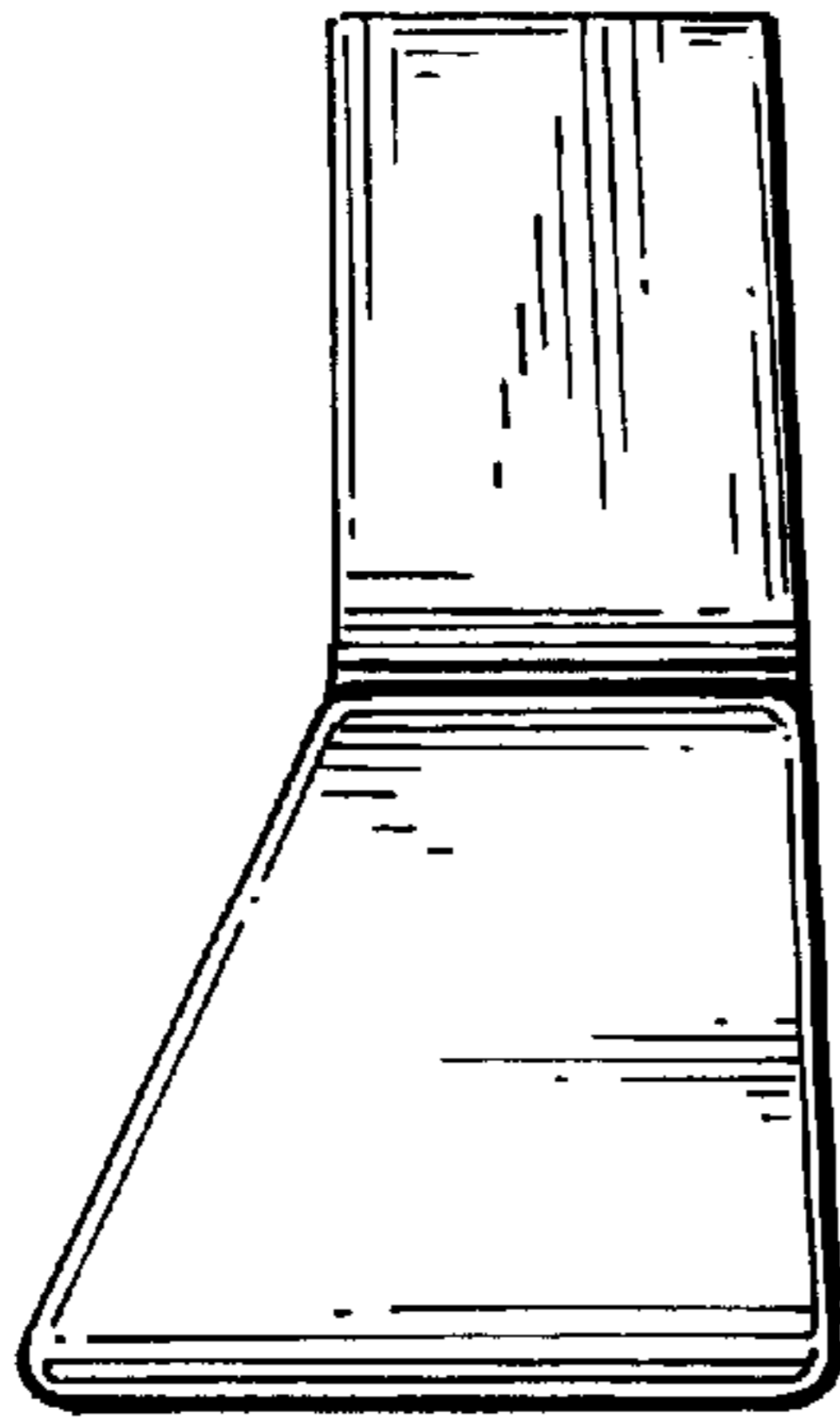


Fig. 6

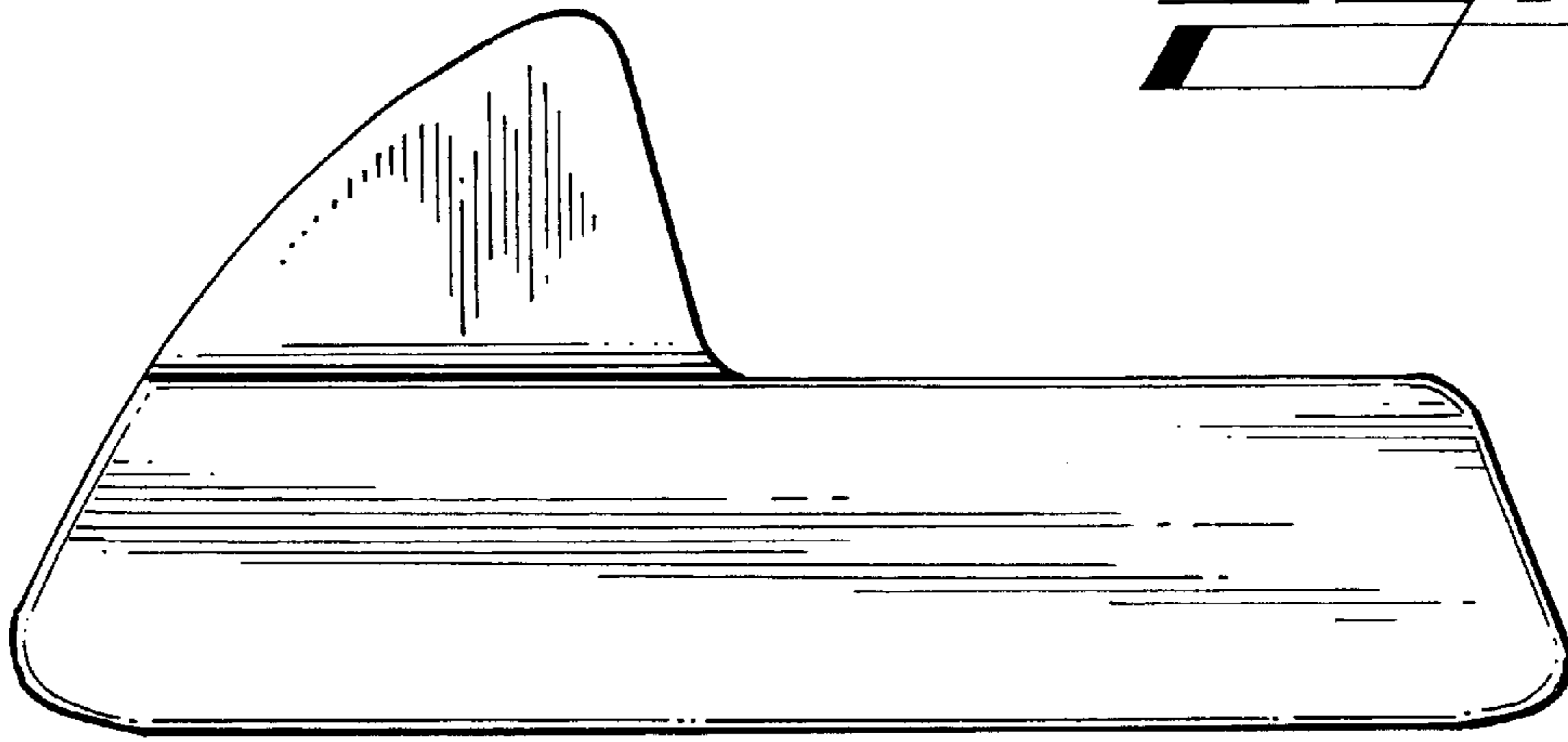


Fig. 7

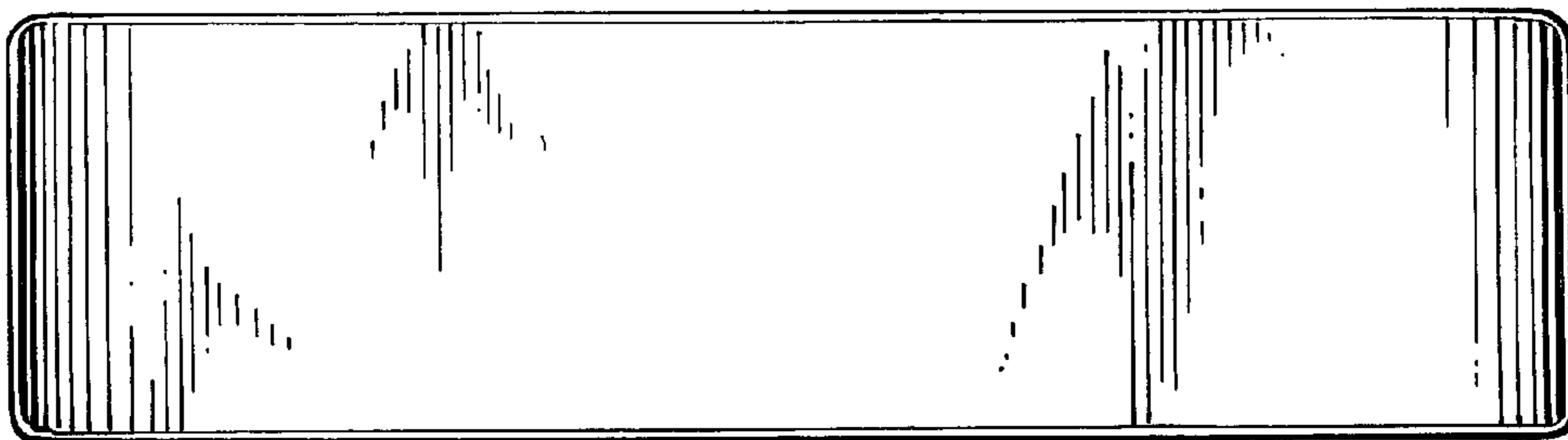


Fig. 8