



US00D487294S

(12) **United States Design Patent**
Gvoich

(10) **Patent No.:** **US D487,294 S**

(45) **Date of Patent:** **** Mar. 2, 2004**

(54) **HOME GYM-AEROBIC TRAINING COMBO**

(75) **Inventor:** **Ned Gvoich**, Beamsville (CA)

(73) **Assignee:** **Diova LLC**, Indianapolis, IN (US)

(**) **Term:** **14 Years**

(21) **Appl. No.:** **29/177,418**

(22) **Filed:** **Mar. 10, 2003**

(51) **LOC (7) Cl.** **21-02**

(52) **U.S. Cl.** **D21/676; D21/670**

(58) **Field of Search** **D21/668, 667,**
D21/670, 673, 675, 676; 482/133, 134,
138, 97, 98, 99, 51

(56) **References Cited**

U.S. PATENT DOCUMENTS

- 5,324,246 A * 6/1994 Wang 482/133
- D352,536 S * 11/1994 Byrd et al. D21/676
- D353,423 S * 12/1994 Chen D21/676
- D357,957 S * 5/1995 Hung D21/676

- D358,183 S * 5/1995 Habing et al. D21/675
- 5,514,060 A * 5/1996 Hu 482/136
- D439,941 S * 4/2001 Batca et al. D21/676

* cited by examiner

Primary Examiner—Philip S. Hyder

(74) *Attorney, Agent, or Firm*—Walter W. Duft

(57) **CLAIM**

The ornamental design for a home gym-aerobic training combo, as shown and described.

DESCRIPTION

FIG. 1 is a front-quarter perspective view of a home gym-aerobic training combo, showing my new design; FIG. 2 is a rear-quarter perspective view the design; FIG. 3 is a left side view of the design; FIG. 4 is a right side view of the design; FIG. 5 is a front view of the design; FIG. 6 is a rear view of the design; and, FIG. 7 is a top view of the design.

1 Claim, 7 Drawing Sheets

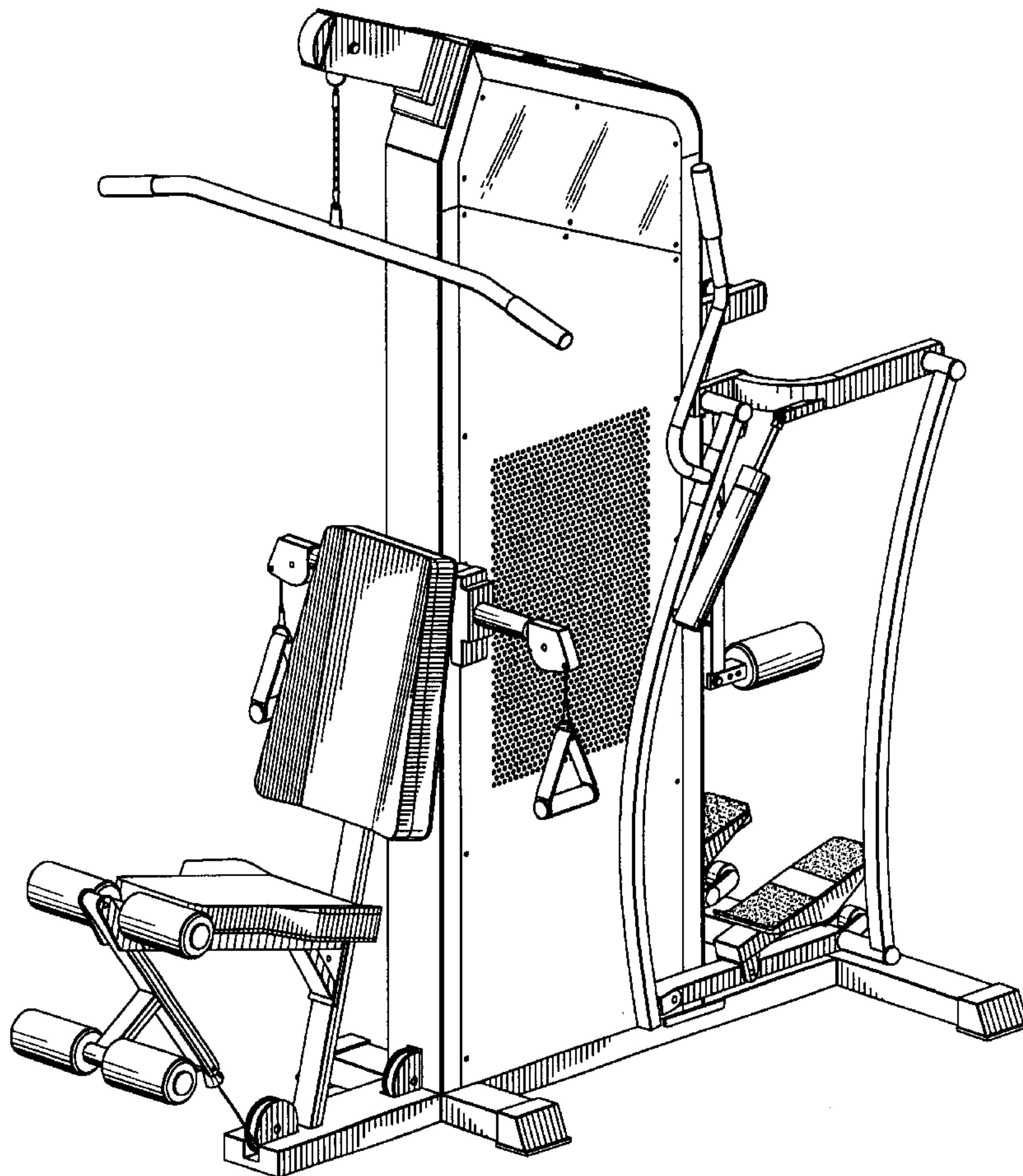


FIG. 1

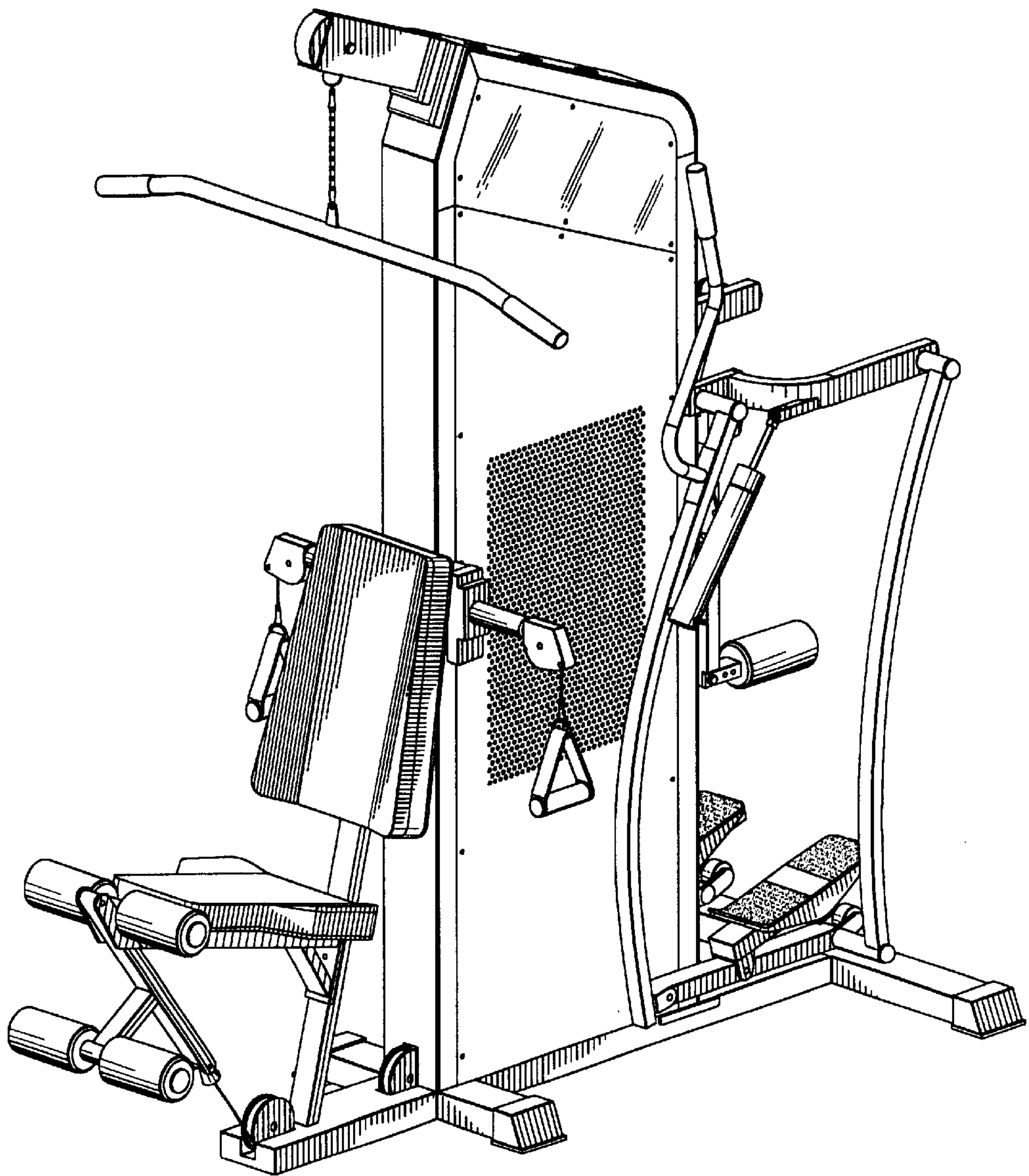


FIG. 2

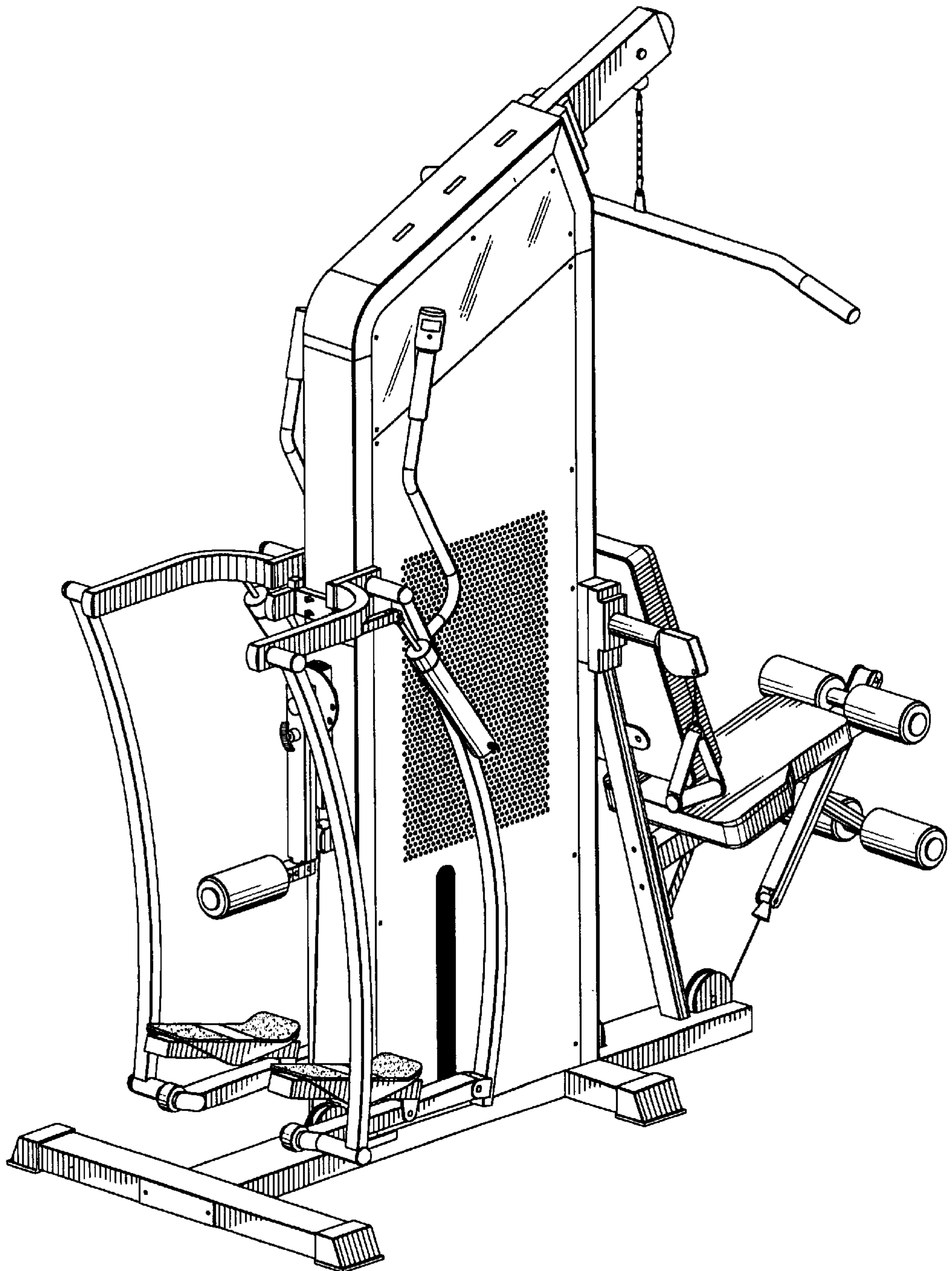


FIG. 3

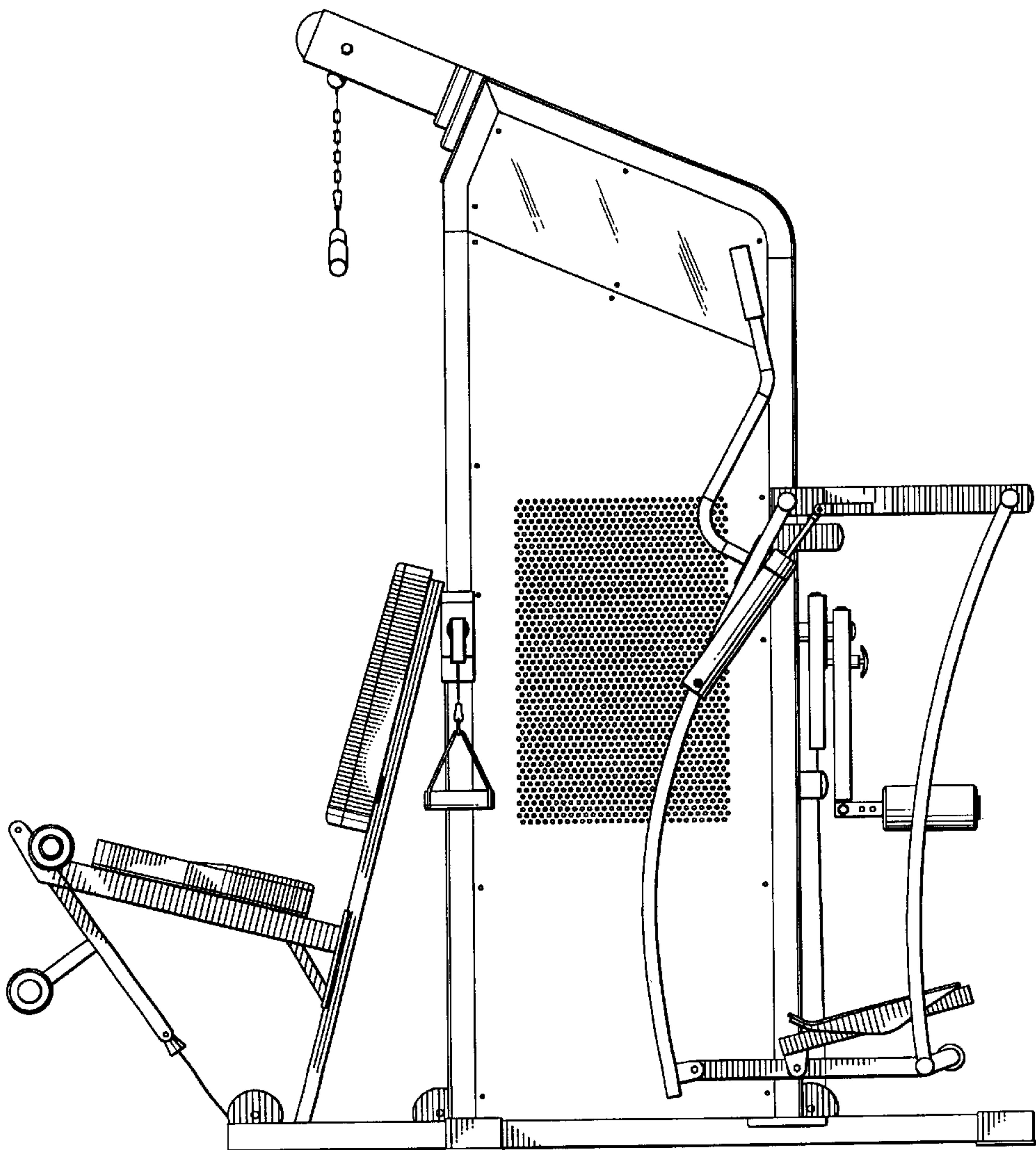


FIG. 4

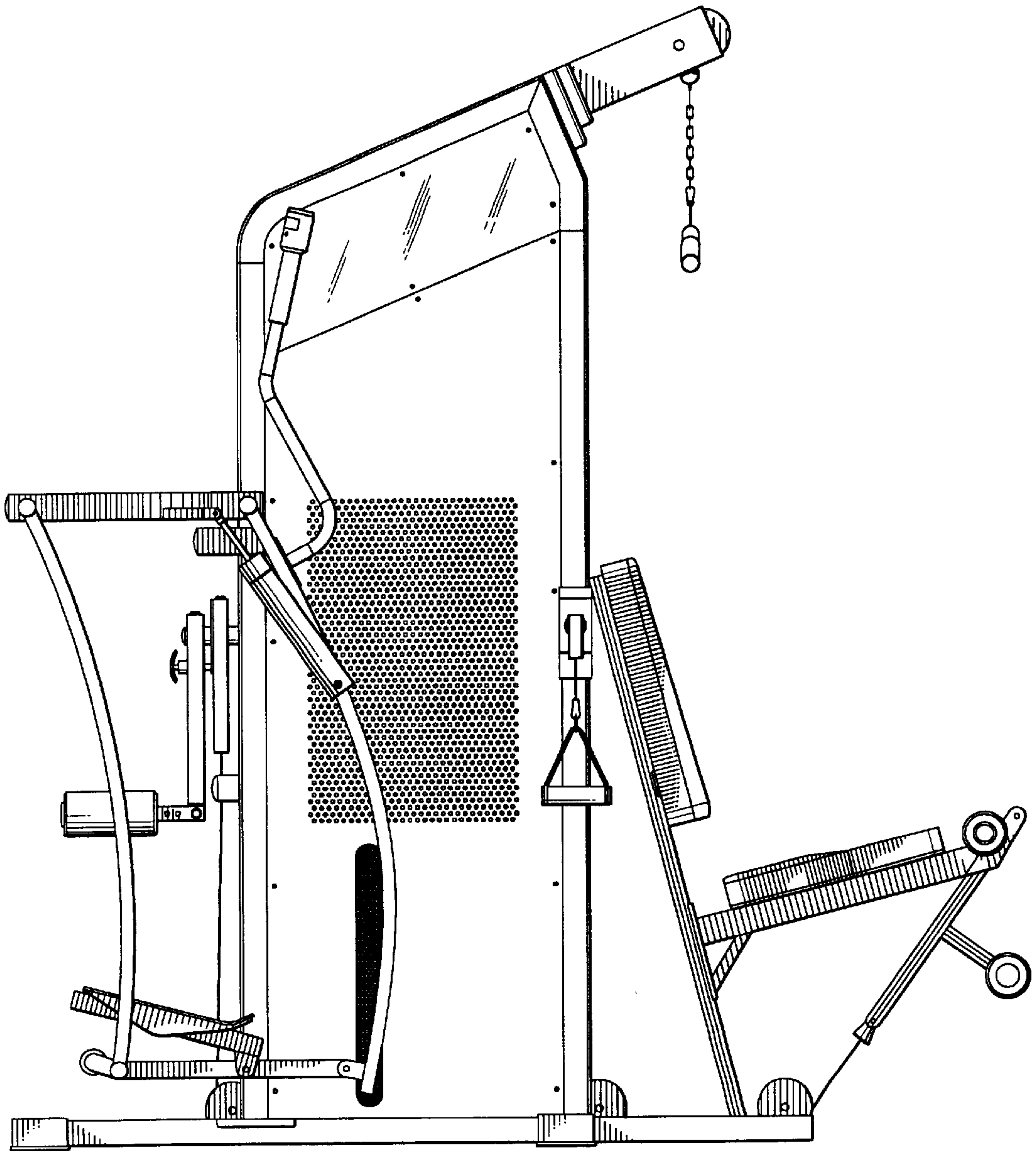


FIG. 5

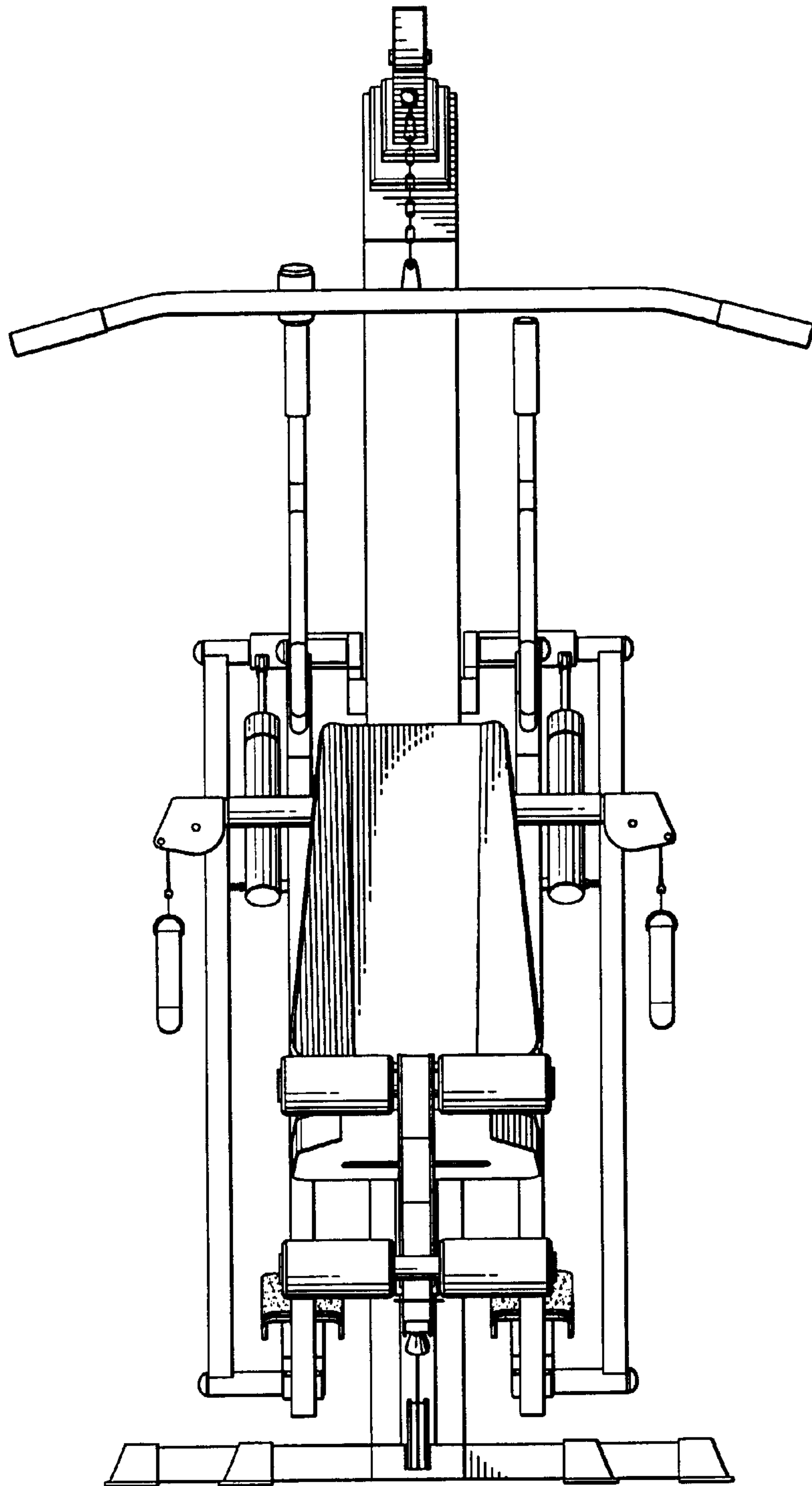


FIG. 6

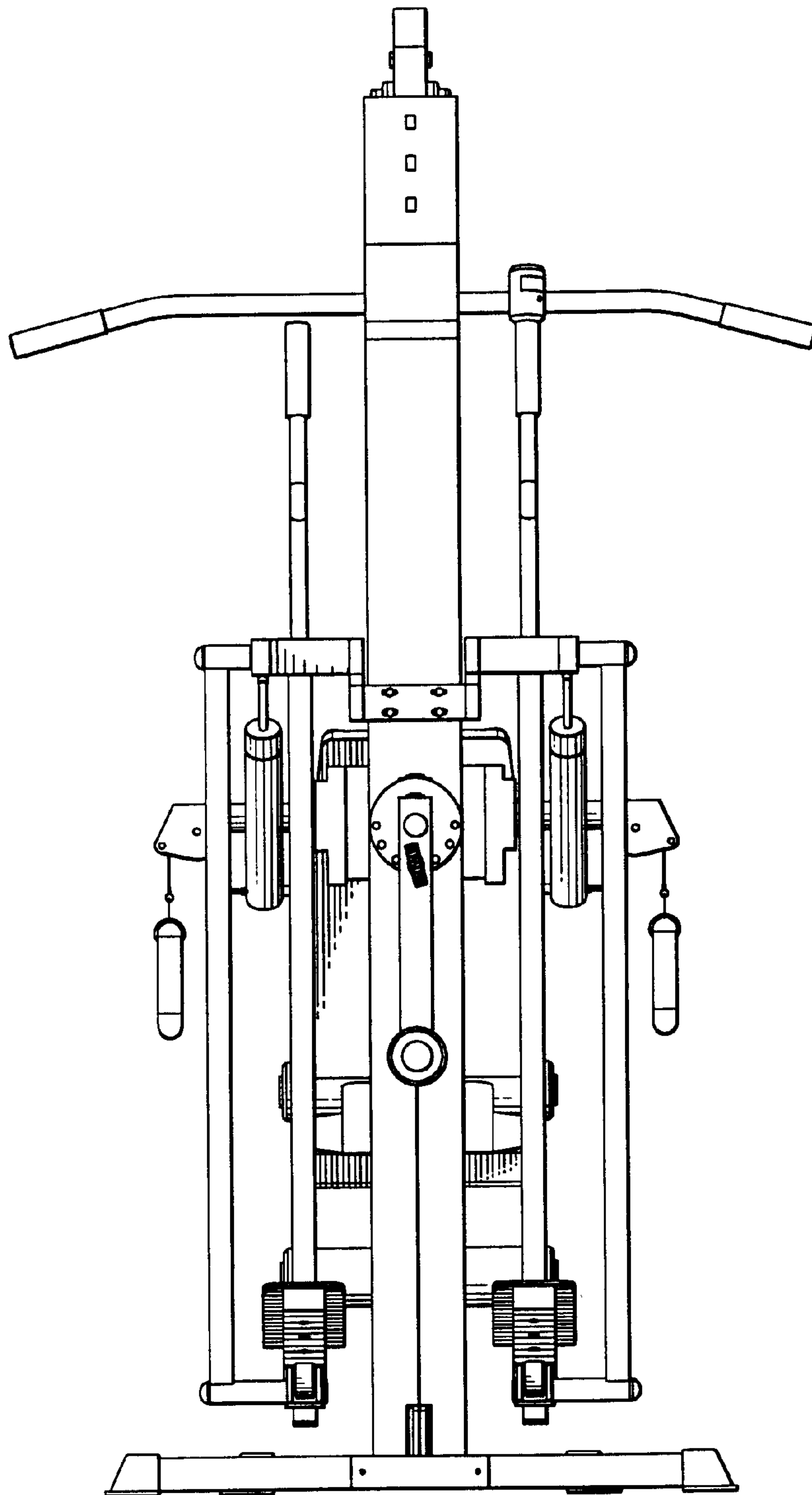


FIG. 7

