



US00D487292S

(12) **United States Design Patent**
Kaminski

(10) **Patent No.:** **US D487,292 S**

(45) **Date of Patent:** **** Mar. 2, 2004**

(54) **GAME OF CHANCE SPINNER**

(76) Inventor: **Thomas S. Kaminski**, 284 Red Oak
La., Carmel, IN (US) 46033

(**) Term: **14 Years**

(21) Appl. No.: **29/180,740**

(22) Filed: **Apr. 29, 2003**

(51) **LOC (7) Cl.** **21-01**

(52) **U.S. Cl.** **D21/373; D21/374**

(58) **Field of Search** **D21/371-374,**
D21/385; 273/146-147; 446/233, 256; 473/592

(56) **References Cited**

U.S. PATENT DOCUMENTS

459,832 A *	9/1891	Byram	273/147
1,452,618 A *	4/1923	Sayers	273/147
1,529,263 A *	3/1925	McGinnis	273/147
D84,388 S *	6/1931	Woodroof et al.	D21/373
D155,298 S *	9/1949	Falce	273/147
D421,278 S *	2/2000	Cleary	D21/373
6,158,739 A *	12/2000	Engelke	273/147

* cited by examiner

Primary Examiner—Sandra L. Morris

(74) *Attorney, Agent, or Firm*—Woodard, Emhardt,
Moriarty, McNett & Henry LLP

(57) **CLAIM**

The ornamental design for a game of chance spinner, as shown and described.

DESCRIPTION

FIG. 1 is a front view of the spinner incorporating my new design.

FIG. 2 is a rear view.

FIG. 3 is a left view.

FIG. 4 is a right view.

FIG. 5 is a bottom view.

FIG. 6 is a top view.

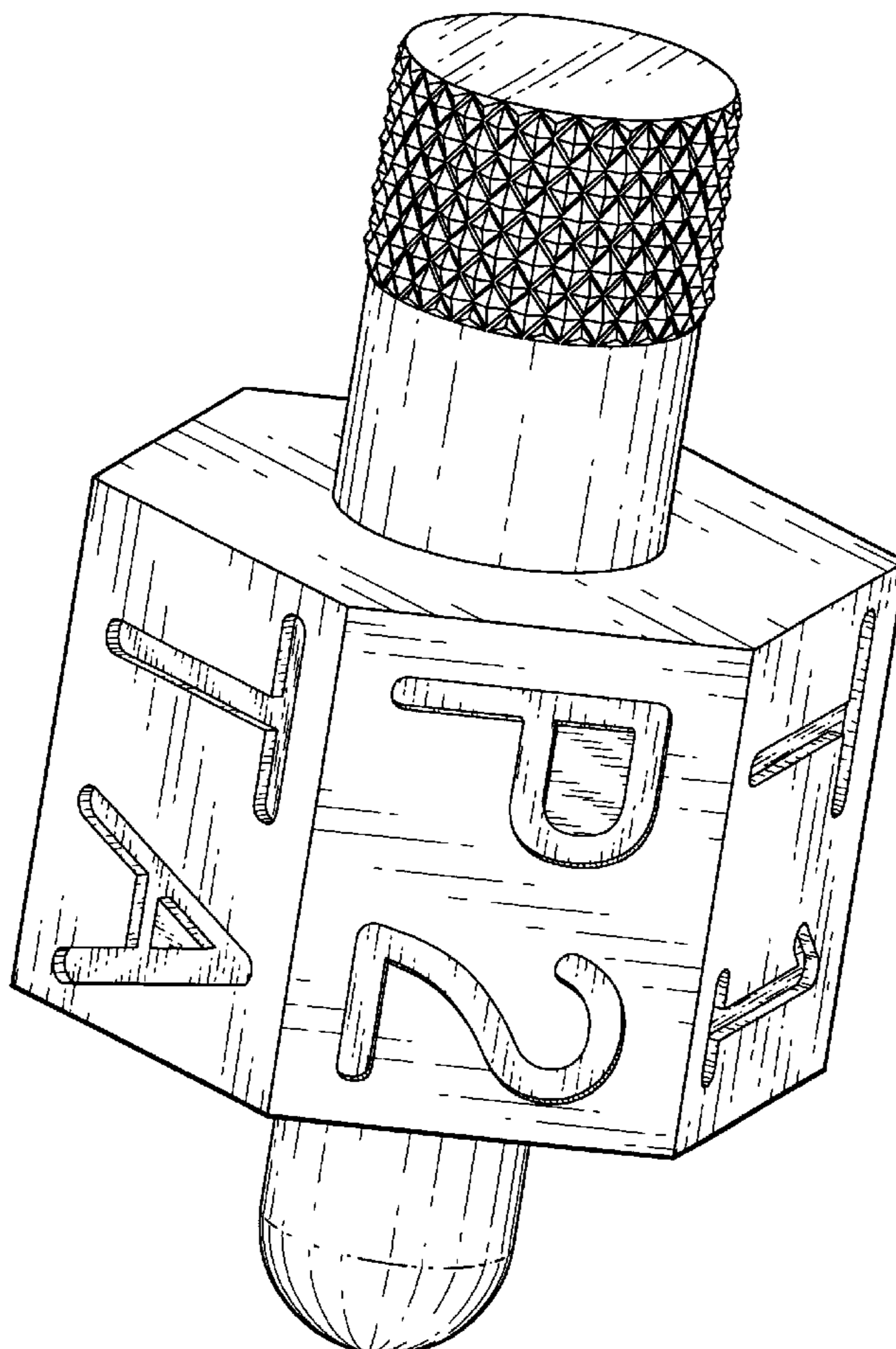
FIG. 7 is a cross sectional view taken along the line 7—7 of FIG. 6 and viewed in the direction of the arrows.

FIG. 8 is a cross sectional view taken along the line 8—8 of FIG. 6 and viewed in the direction of the arrows.

FIG. 9 is a cross sectional view taken along the line 9—9 of FIG. 6 and viewed in the direction of the arrows; and,

FIG. 10 is an enlarged right side perspective view.

1 Claim, 4 Drawing Sheets



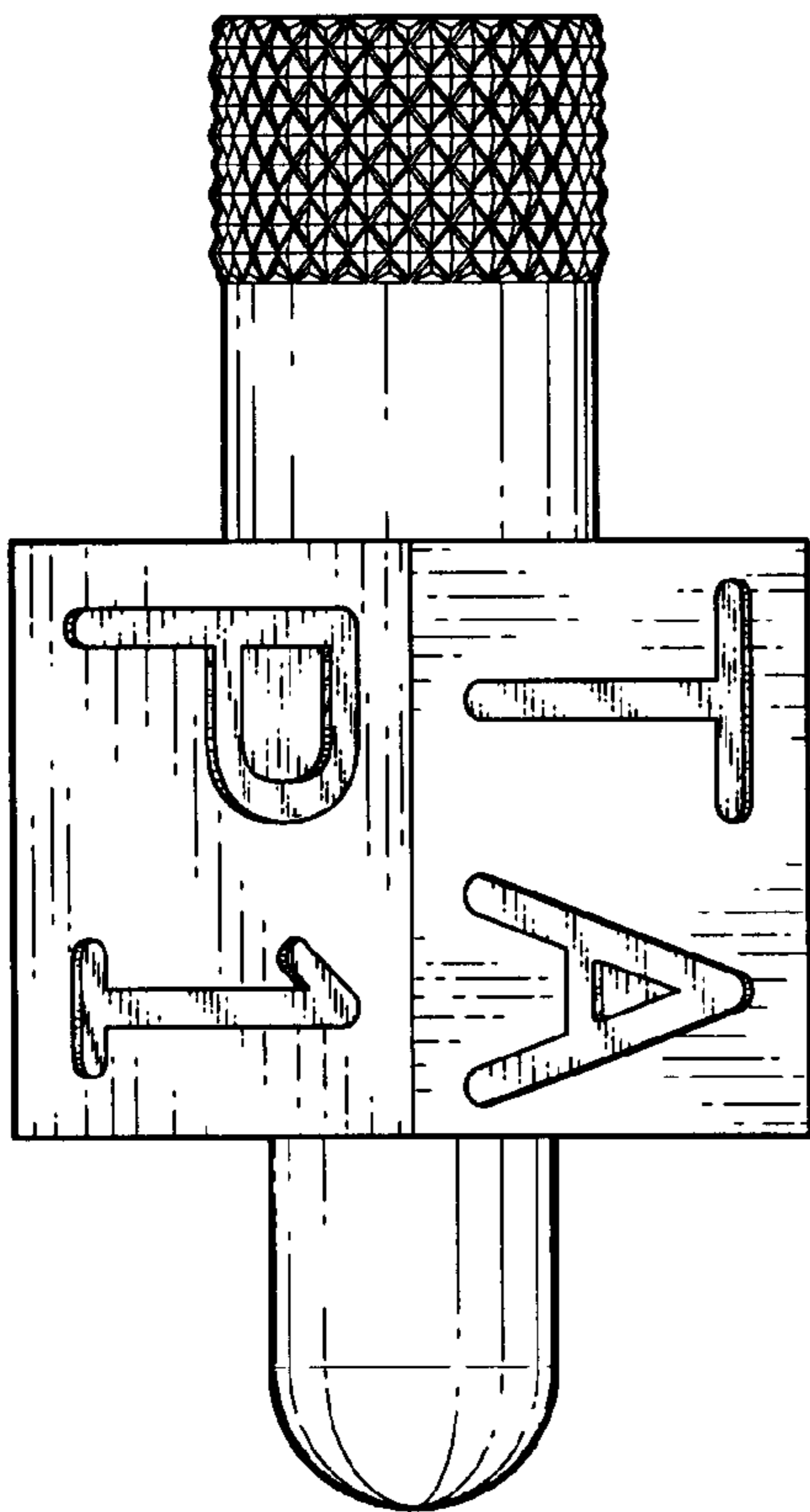


Fig. 1

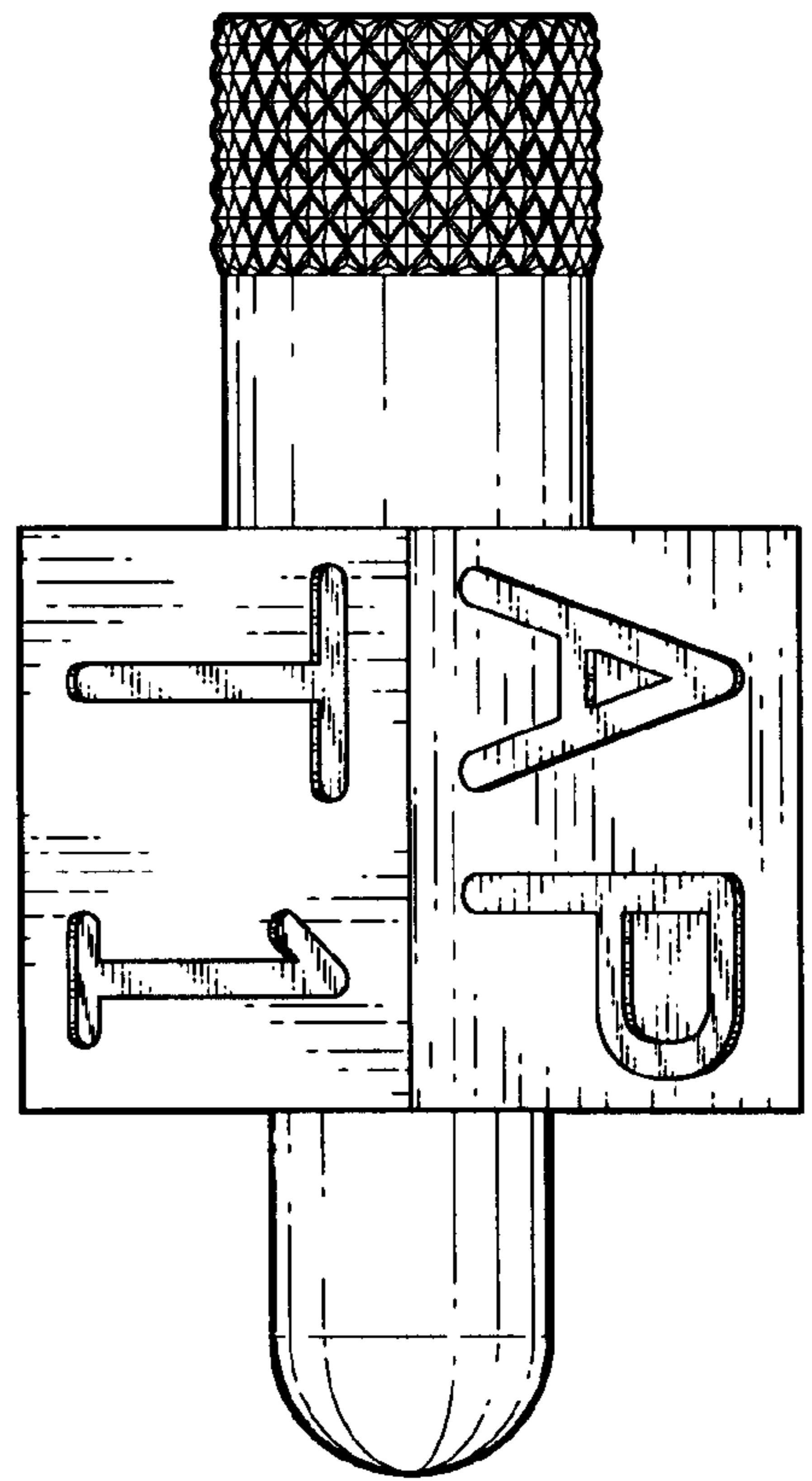


Fig. 2

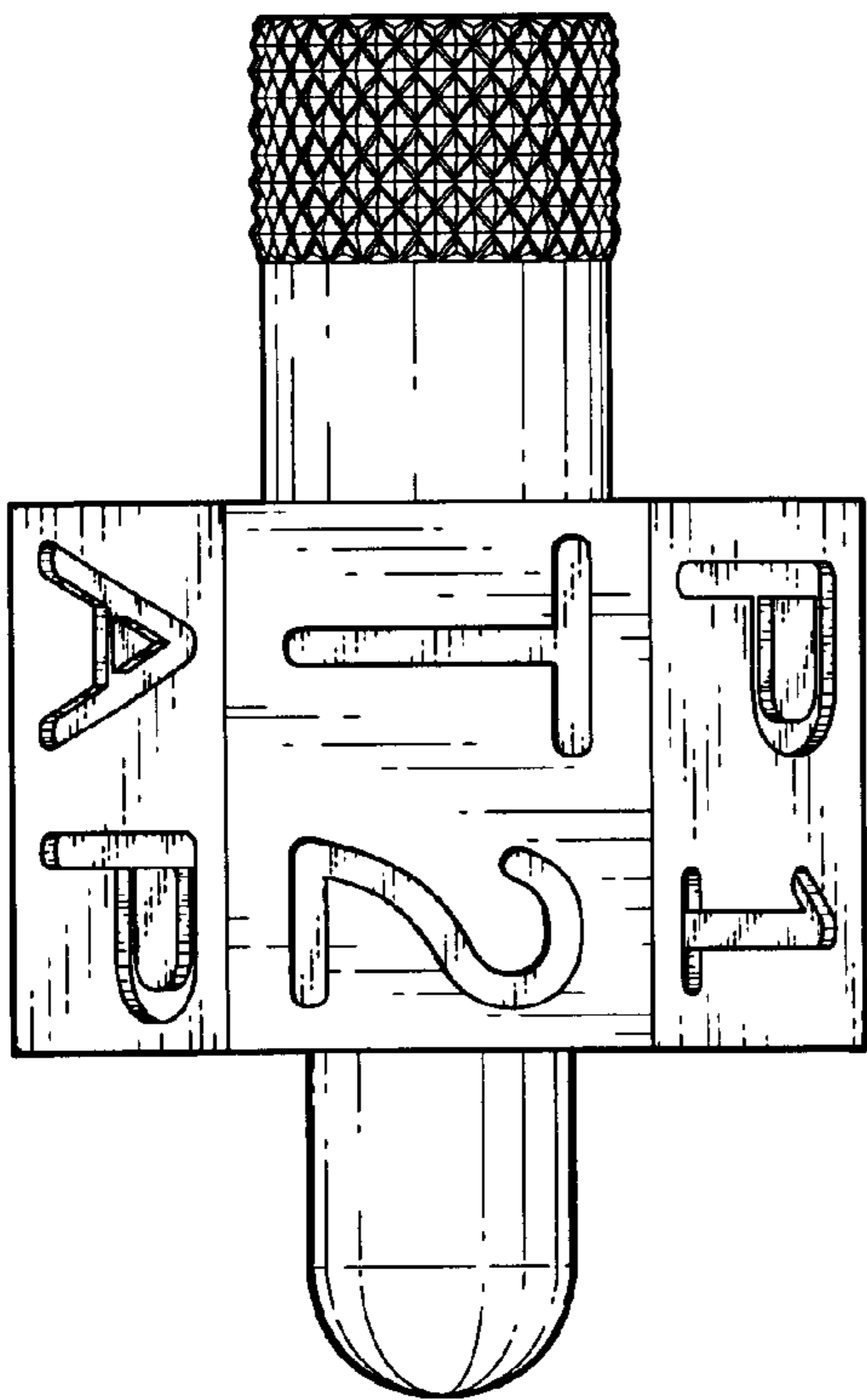


Fig. 3

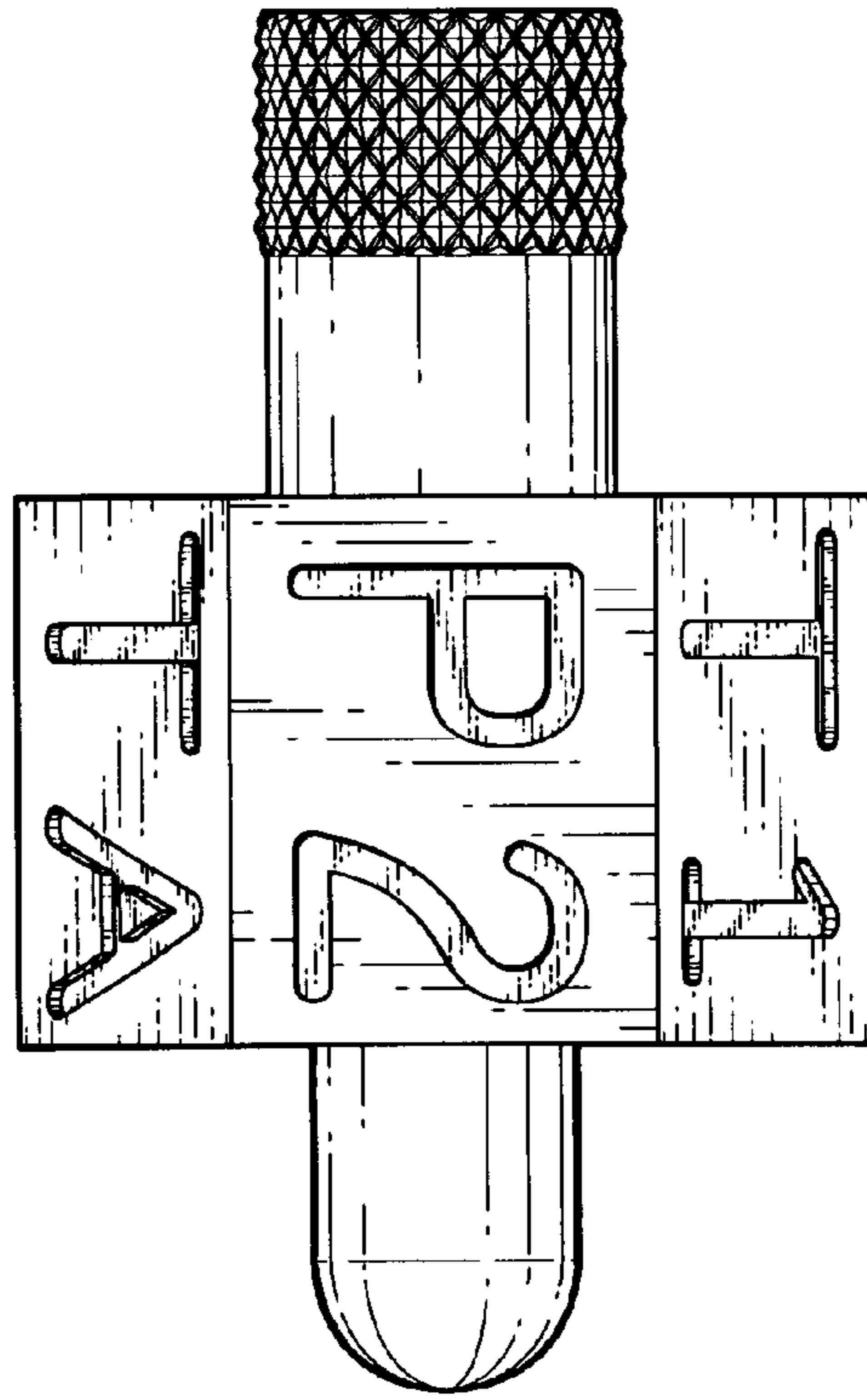


Fig. 4

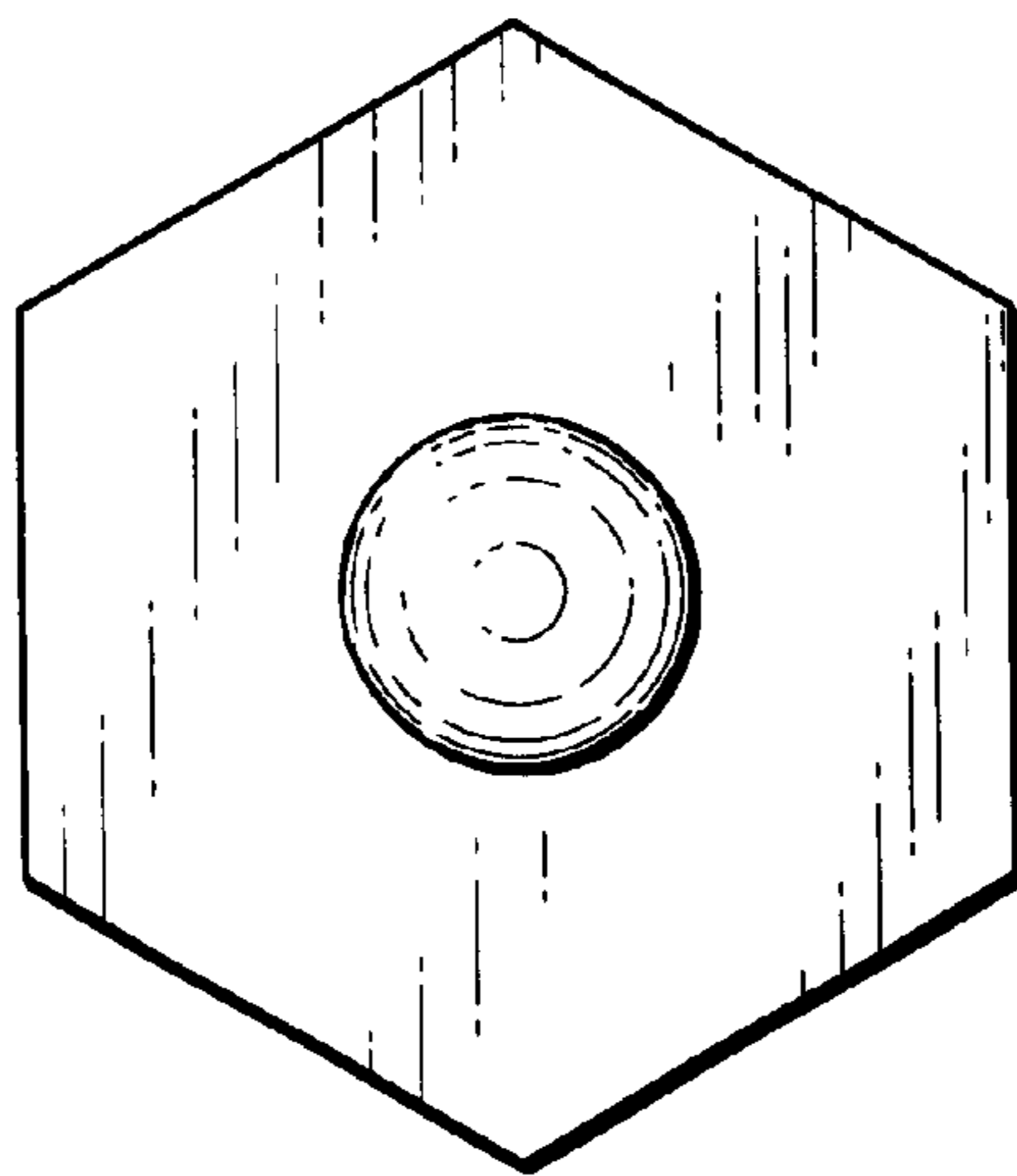


Fig. 5

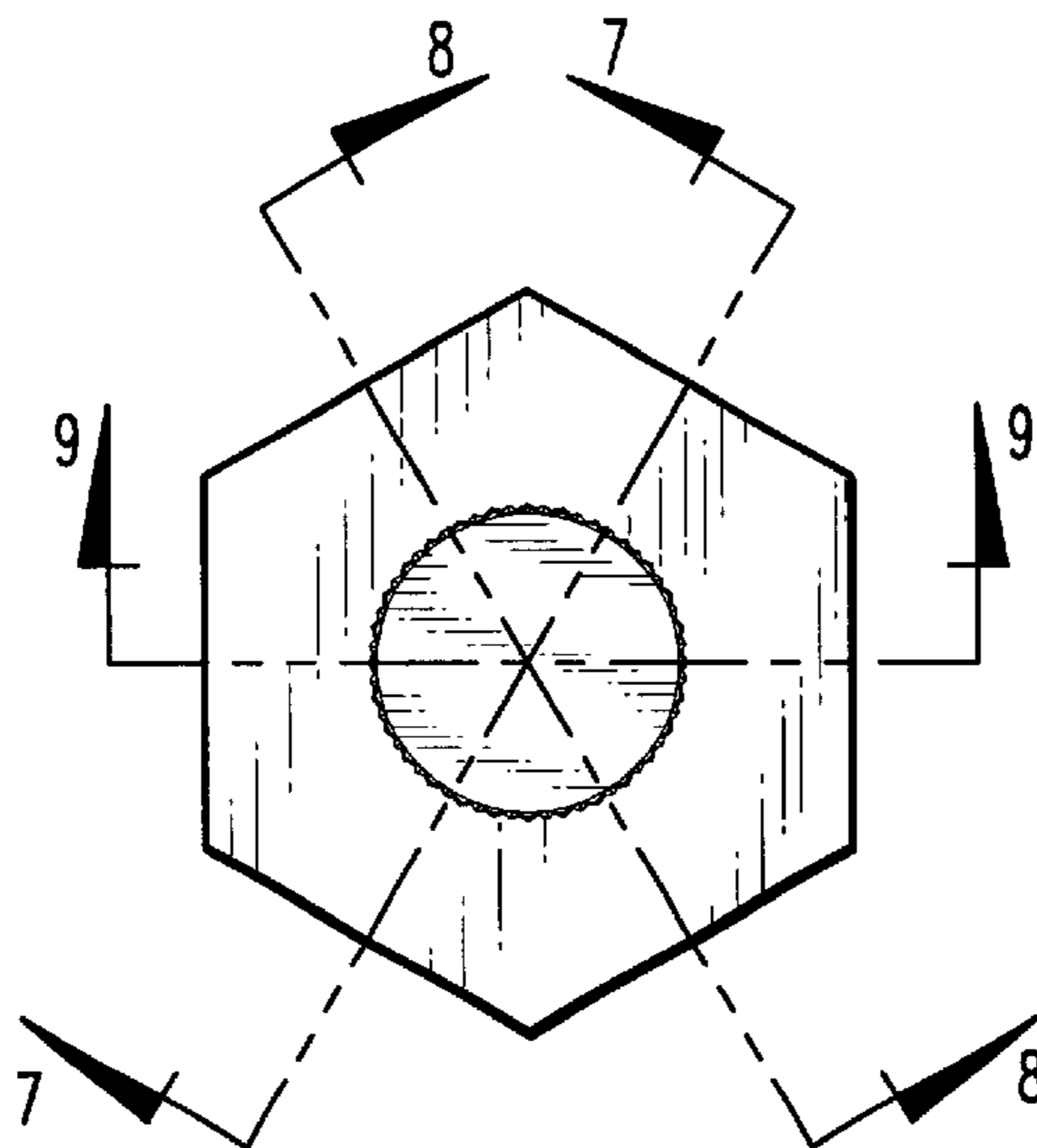


Fig. 6

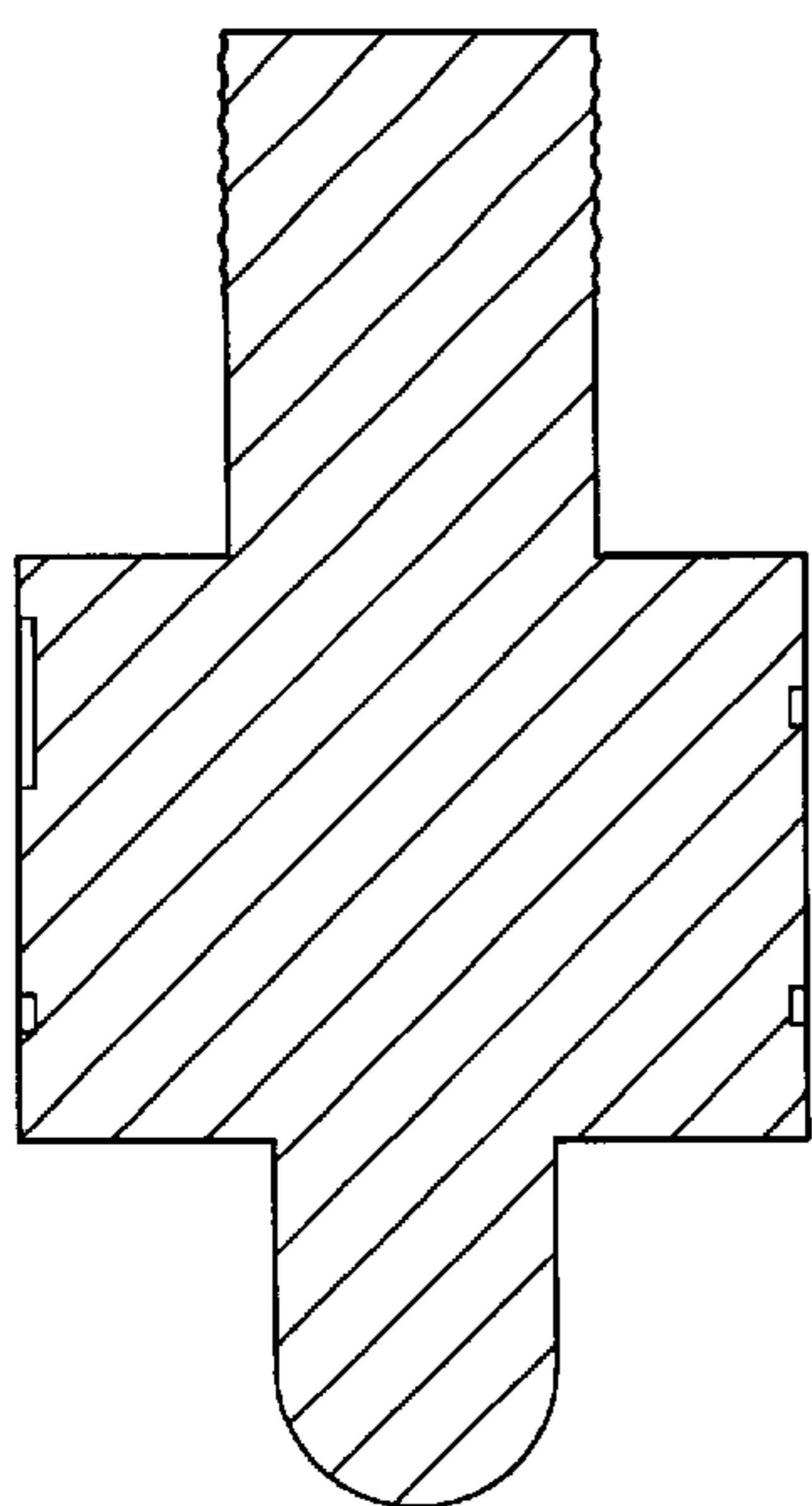


Fig. 7

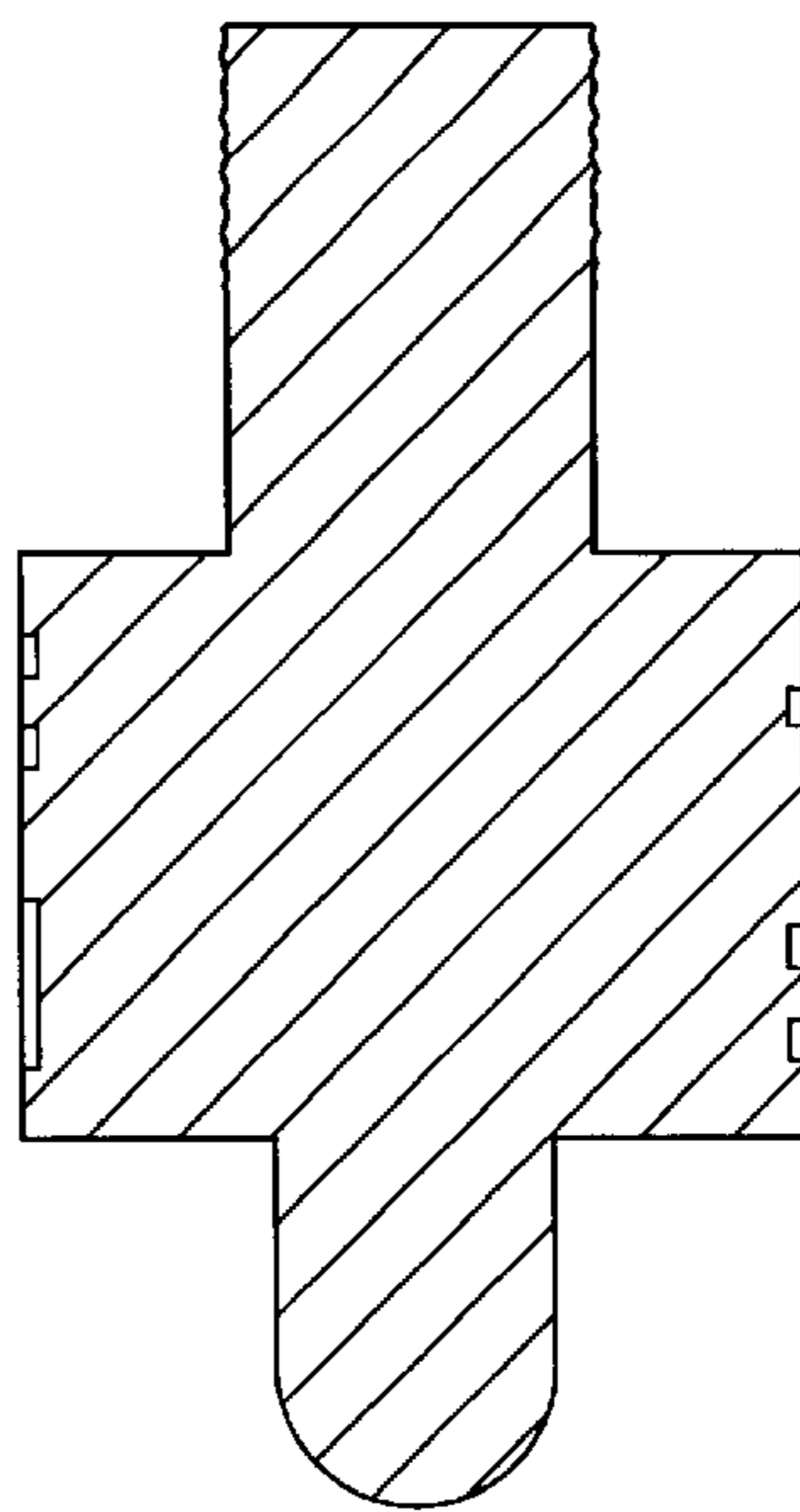


Fig. 8

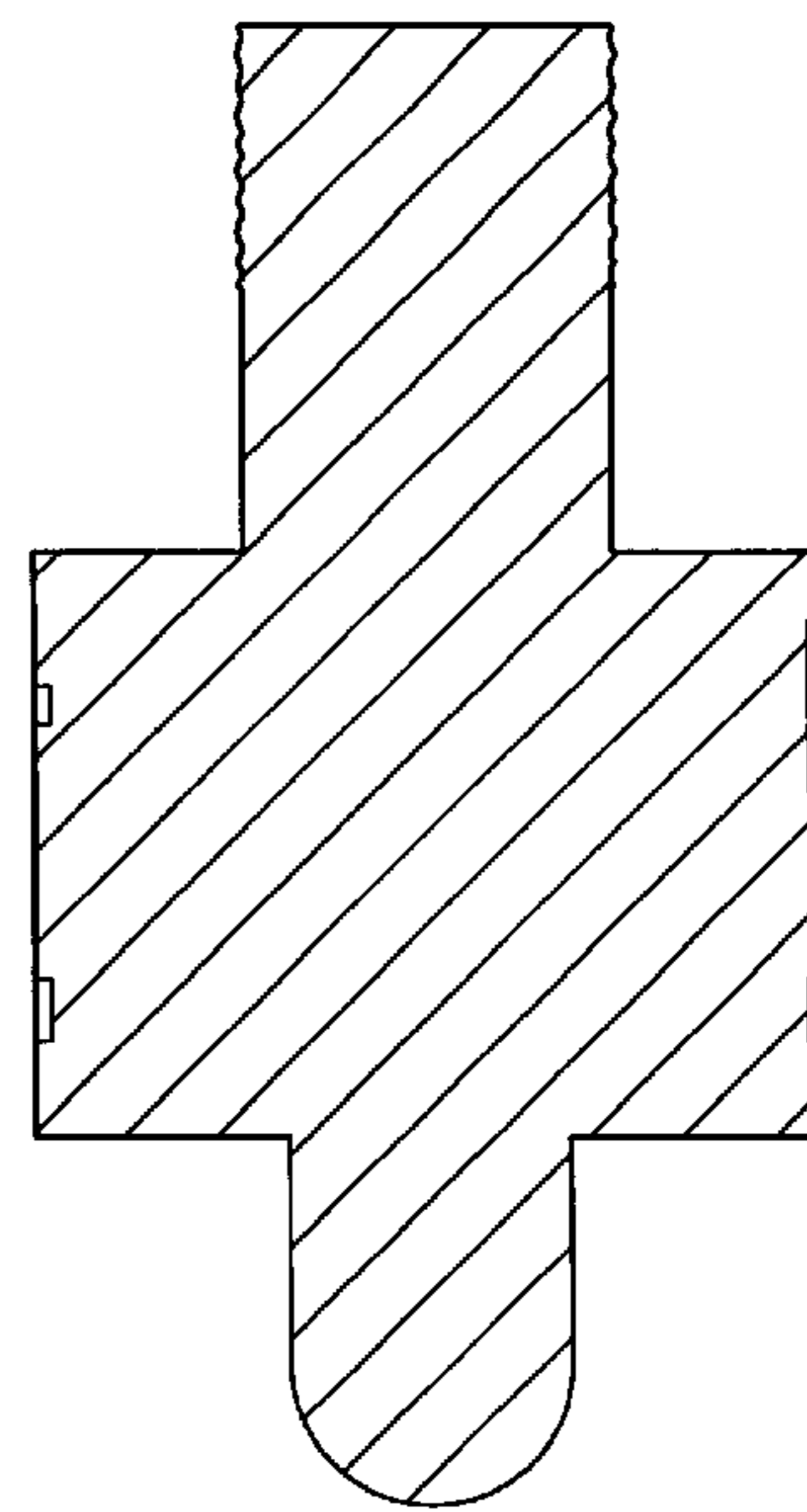


Fig. 9

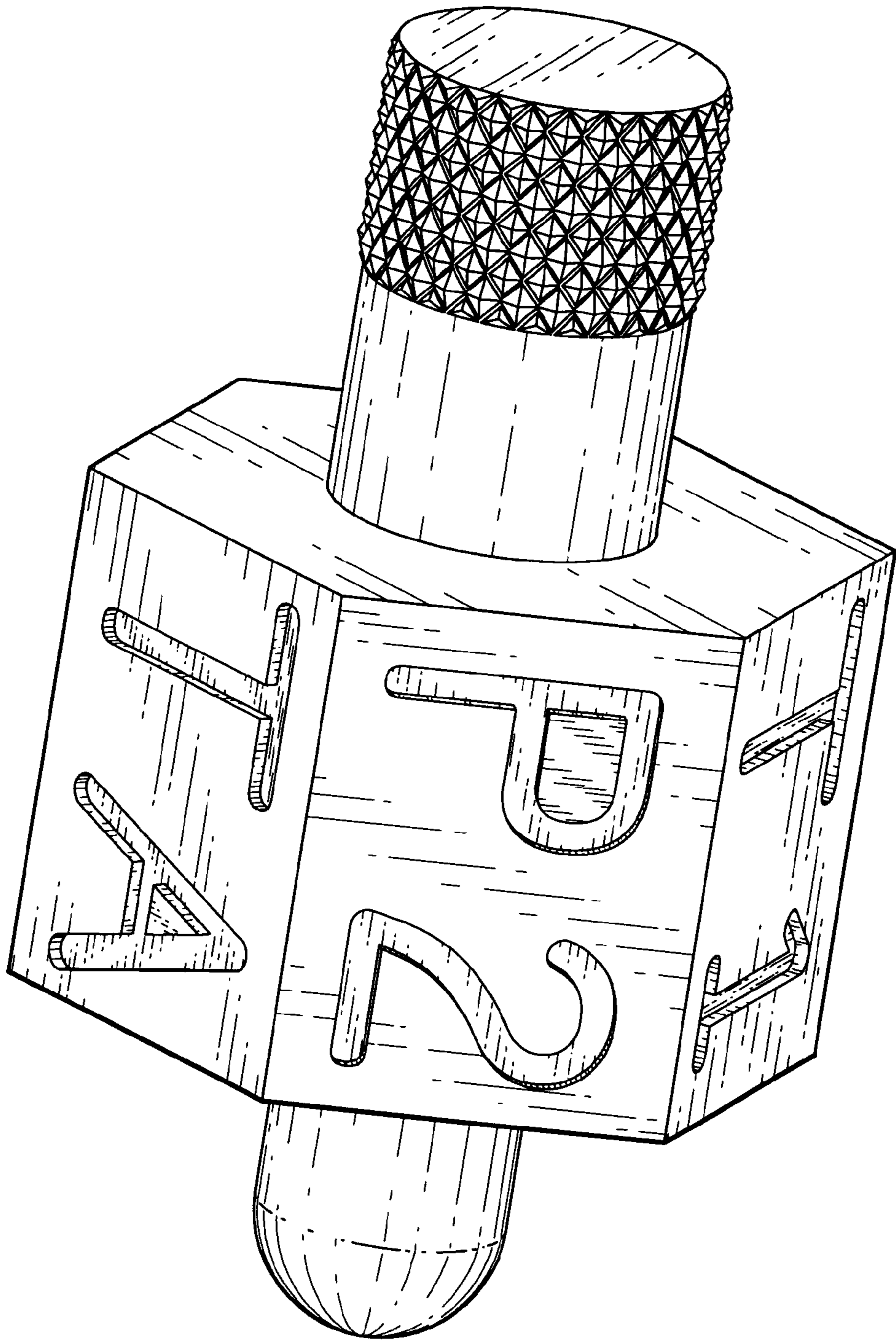


Fig. 10