



US00D487290S

(12) **United States Design Patent**
Kosir

(10) **Patent No.:** **US D487,290 S**

(45) **Date of Patent:** **** Mar. 2, 2004**

(54) **BANNER HANGER**

D453,798 S * 2/2002 Gray D20/43
D454,918 S * 3/2002 Wamsley et al. D20/43

(75) Inventor: **Joseph P. Kosir**, Euclid, OH (US)

OTHER PUBLICATIONS

(73) Assignee: **Fasteners For Retail, Inc.**, Cleveland, OH (US)

FFR Yellow Pages® Catalog, Front Cover, pp. 176–180, Back Cover, no date.

(**) Term: **14 Years**

* cited by examiner

(21) Appl. No.: **29/174,167**

Primary Examiner—Robert M. Spear

(22) Filed: **Jan. 13, 2003**

(74) *Attorney, Agent, or Firm*—Fay, Sharpe, Fagan, Minnich & McKee, LLP

(51) **LOC (7) Cl.** **20-02**

(52) **U.S. Cl.** **D20/42**

(58) **Field of Search** D20/10, 22, 40, D20/42, 43, 44, 99; D8/373, 380; D19/20; D25/119, 121, 122, 124; 40/124.01, 124.05, 584, 642.01, 642.02, 649, 653, 654.01, 661, 661.03; 52/522; 248/214, 215

(57) **CLAIM**

The ornamental design for a banner hanger, and shown and described.

(56) **References Cited**

DESCRIPTION

U.S. PATENT DOCUMENTS

4,357,768 A * 11/1982 De Dube 40/653
4,593,824 A * 6/1986 Pfeifer 211/57.1
D322,634 S * 12/1991 Callas D20/44
D423,592 S 4/2000 Wamsley
6,082,687 A * 7/2000 Kump et al. 248/220.41

FIG. 1 is a perspective view of a banner hanger illustrating my new design;
FIG. 2 is a rear elevational view thereof;
FIG. 3 is a front elevational view thereof;
FIG. 4 is a top plan view thereof;
FIG. 5 is a bottom plan view thereof; and,
FIG. 6 is a right end elevational view thereof, with a left end elevational view being a mirror image thereof.

1 Claim, 1 Drawing Sheet

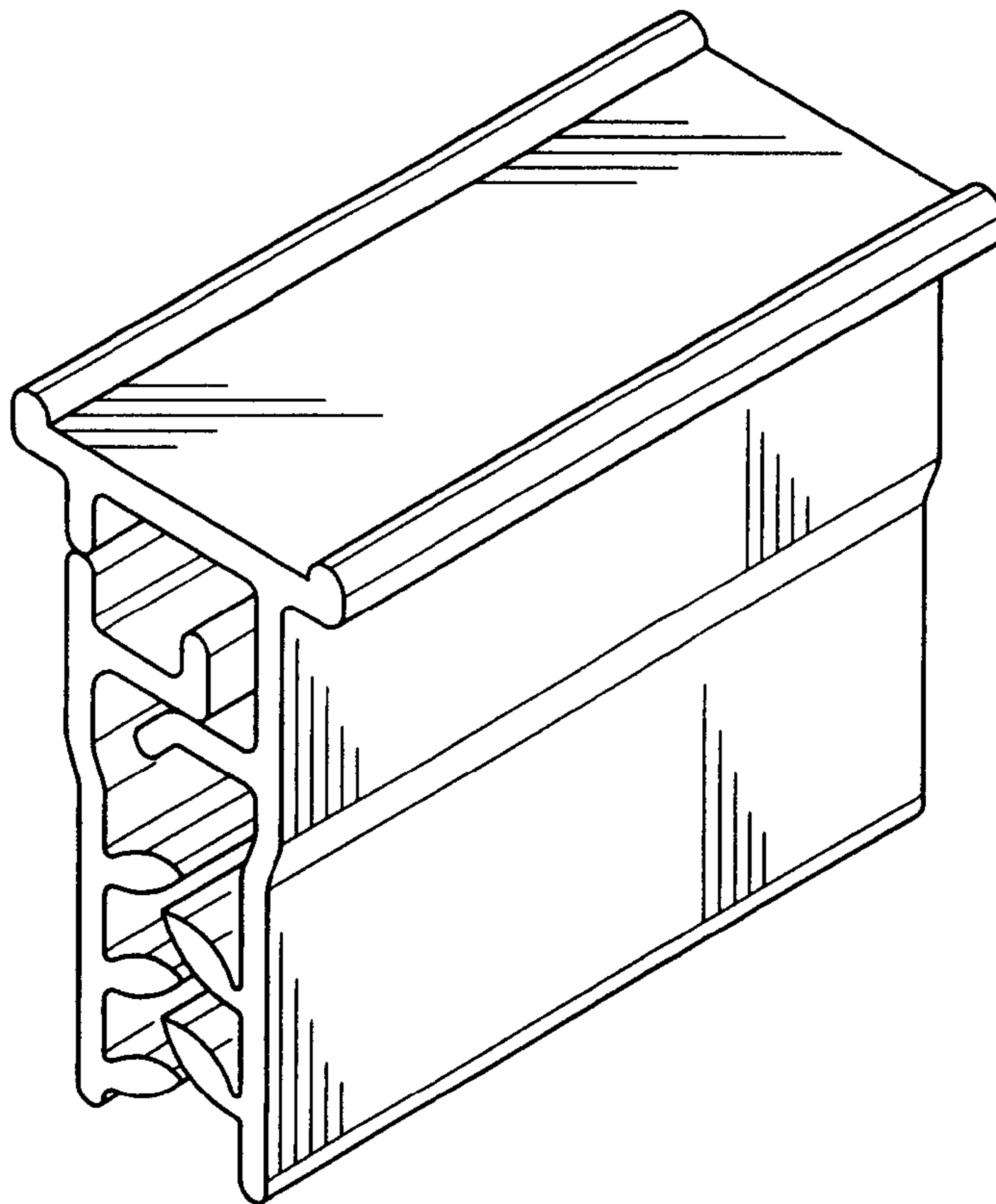


FIG. 1

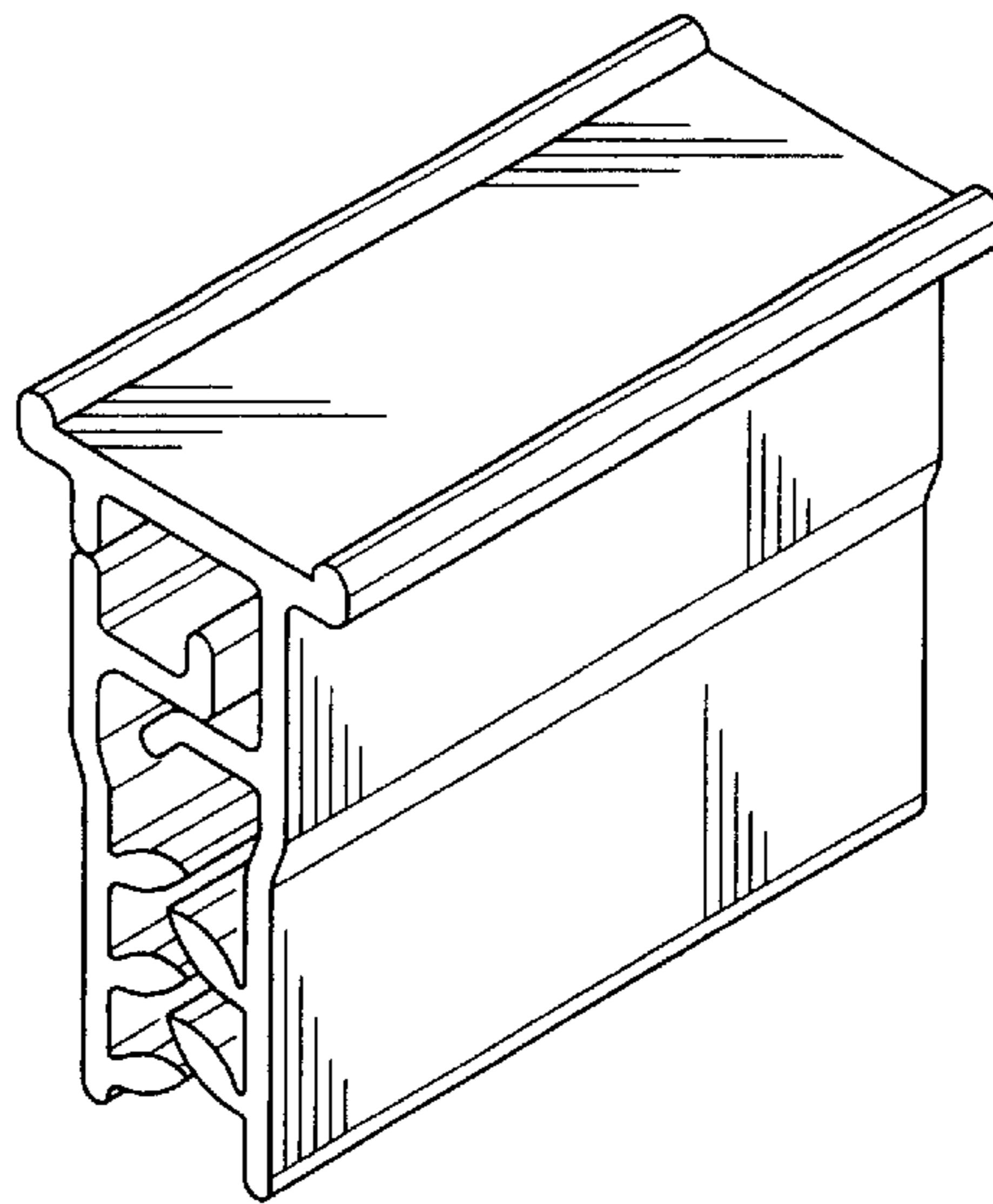


FIG. 4

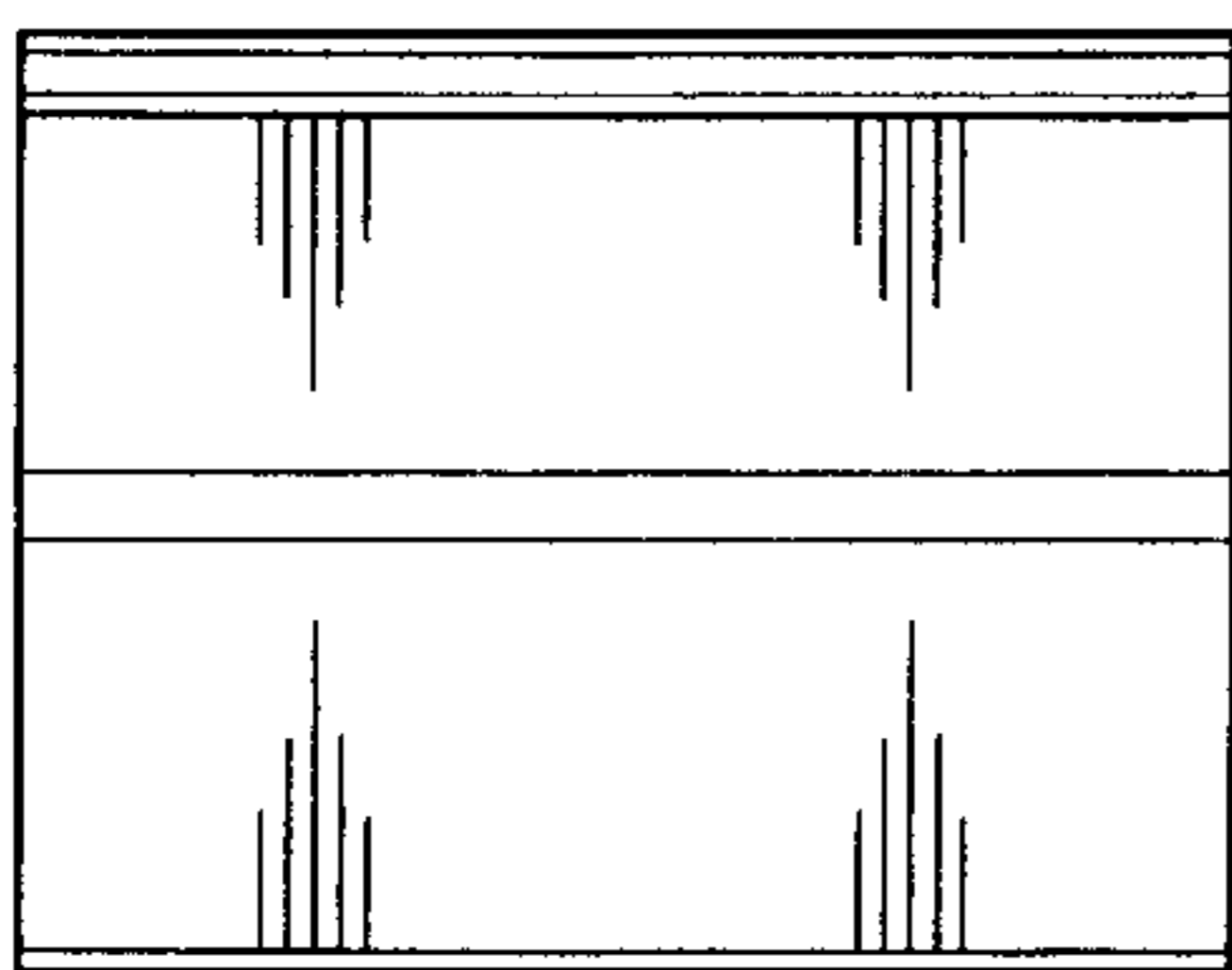
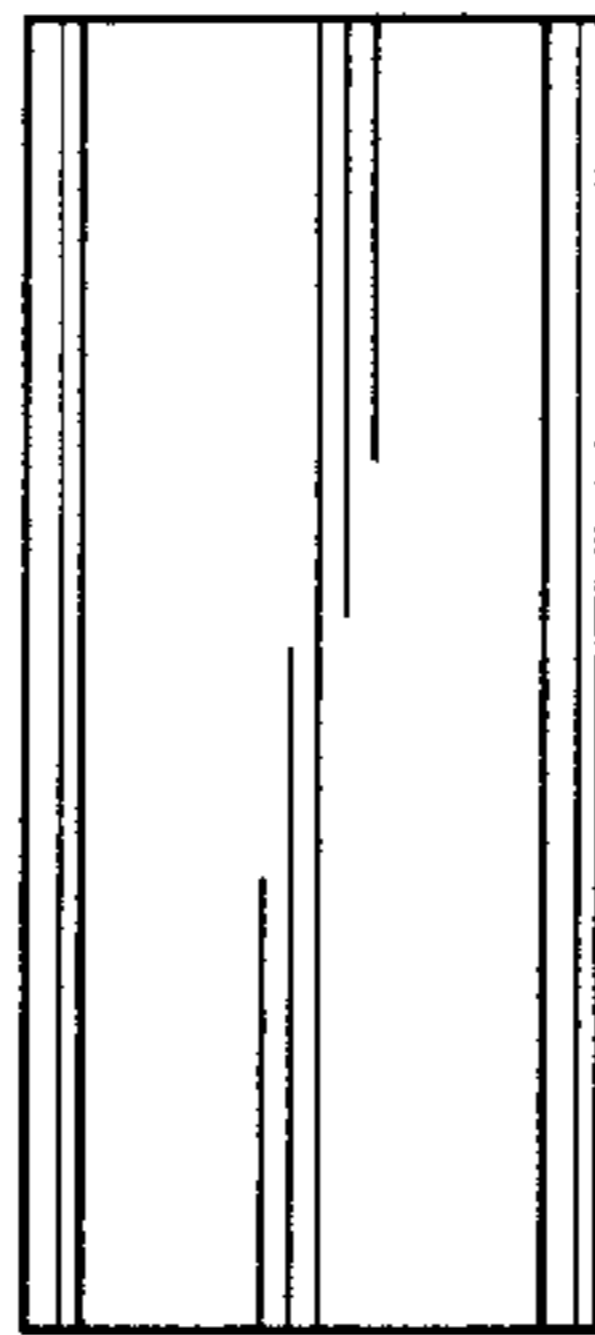


FIG. 3

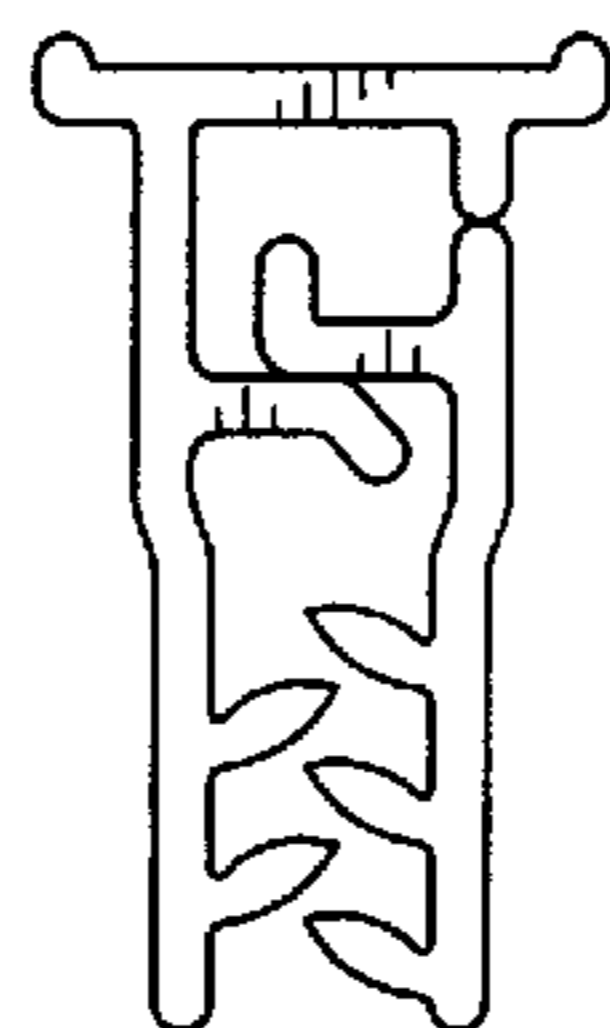


FIG. 6

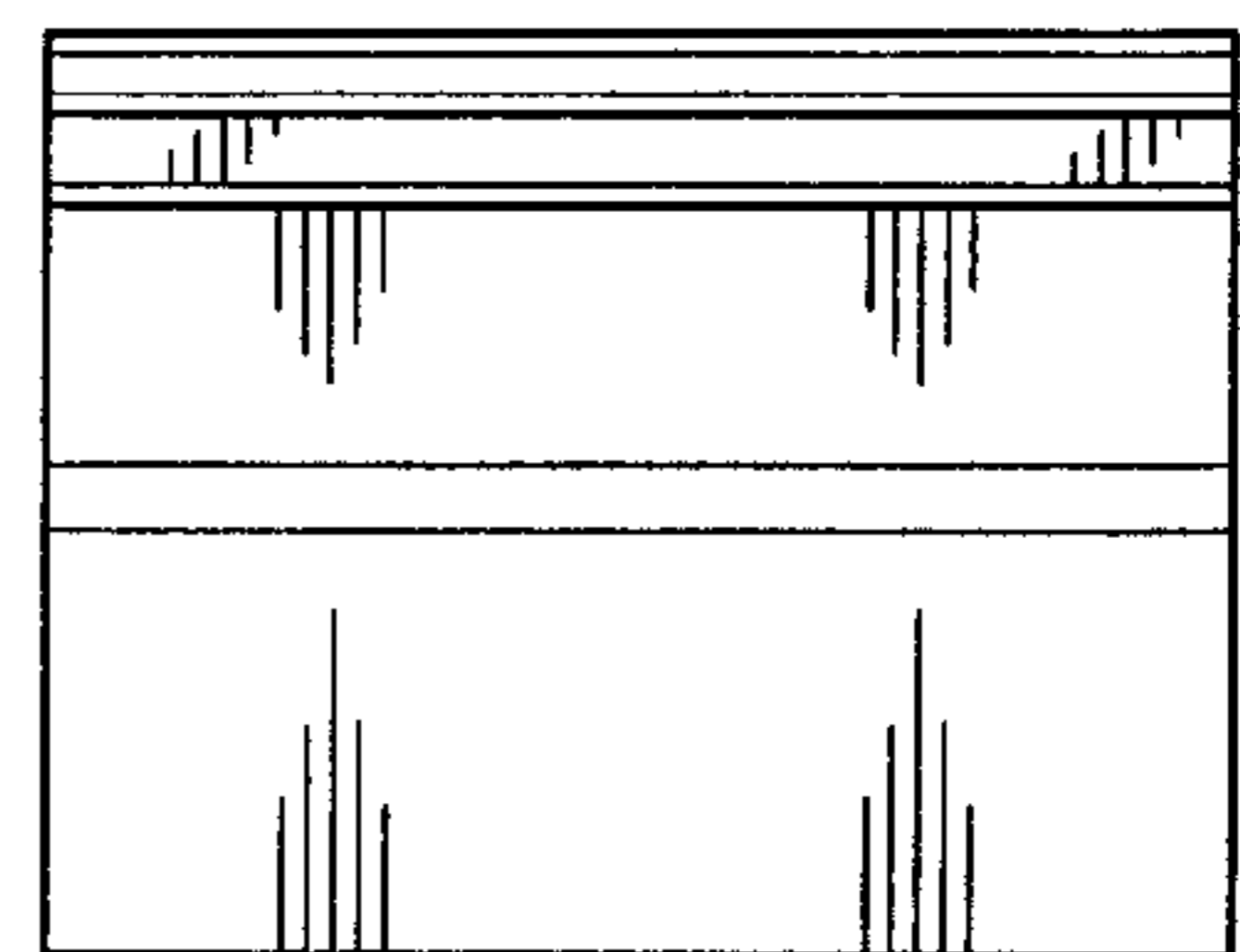


FIG. 2

FIG. 5

