



US00D487289S

(12) **United States Design Patent**  
**Richter**

(10) **Patent No.:** **US D487,289 S**

(45) **Date of Patent:** **\*\* Mar. 2, 2004**

(54) **NOTE CLIP WITH SUCTION CUP**

(76) Inventor: **Herbert Richter**, Drosselweg 8, 75331 Engelbrand (DE)

(\*\*) Term: **14 Years**

(21) Appl. No.: **29/172,958**

(22) Filed: **Dec. 20, 2002**

(51) **LOC (7) Cl.** ..... **19-02**

(52) **U.S. Cl.** ..... **D19/90; D19/65**

(58) **Field of Search** ..... D19/65, 75, 77, D19/78, 81-85, 86, 87, 88, 90, 91, 99, 100; 248/205.5, 205.7, 205.8, 206.2-206.4, 316.7, 903; 24/67 R, 67.1-67.11, 545-547, DIG. 8, 9, 10; D14/254; D20/43, 34

(56) **References Cited**

**U.S. PATENT DOCUMENTS**

253,392	A	*	2/1882	Jones et al.	.....	248/205.5
2,045,672	A	*	6/1936	Oliveri	.....	248/205.5
2,276,992	A	*	3/1942	Manzler	.....	248/205.5 X
D201,965	S	*	8/1965	Lake	.....	D19/87
D215,054	S	*	8/1969	Swertz	.....	D14/254
D261,265	S	*	10/1981	Leopoldi	.....	D19/65 X
4,943,024	A	*	7/1990	Meyer	.....	248/316.7
4,991,806	A	*	2/1991	Nakamura et al.	.....	248/206.2
D327,095	S	*	6/1992	Meyer	.....	D19/90

5,214,825	A	*	6/1993	Hirzel	.....	24/67.9
D387,092	S	*	12/1997	Elkins	.....	D19/78
D451,963	S	*	12/2001	Molenaar	.....	D19/88

\* cited by examiner

*Primary Examiner*—Martie K. Holtje

(74) *Attorney, Agent, or Firm*—Klaus J. Bach

(57) **CLAIM**

The ornamental design for a note clip with suction cup, as shown and described.

**DESCRIPTION**

FIG. 1 is a perspective view of the note clip with suction cup;

FIG. 2 is a front view of the note clip with suction cup shown in FIG. 1;

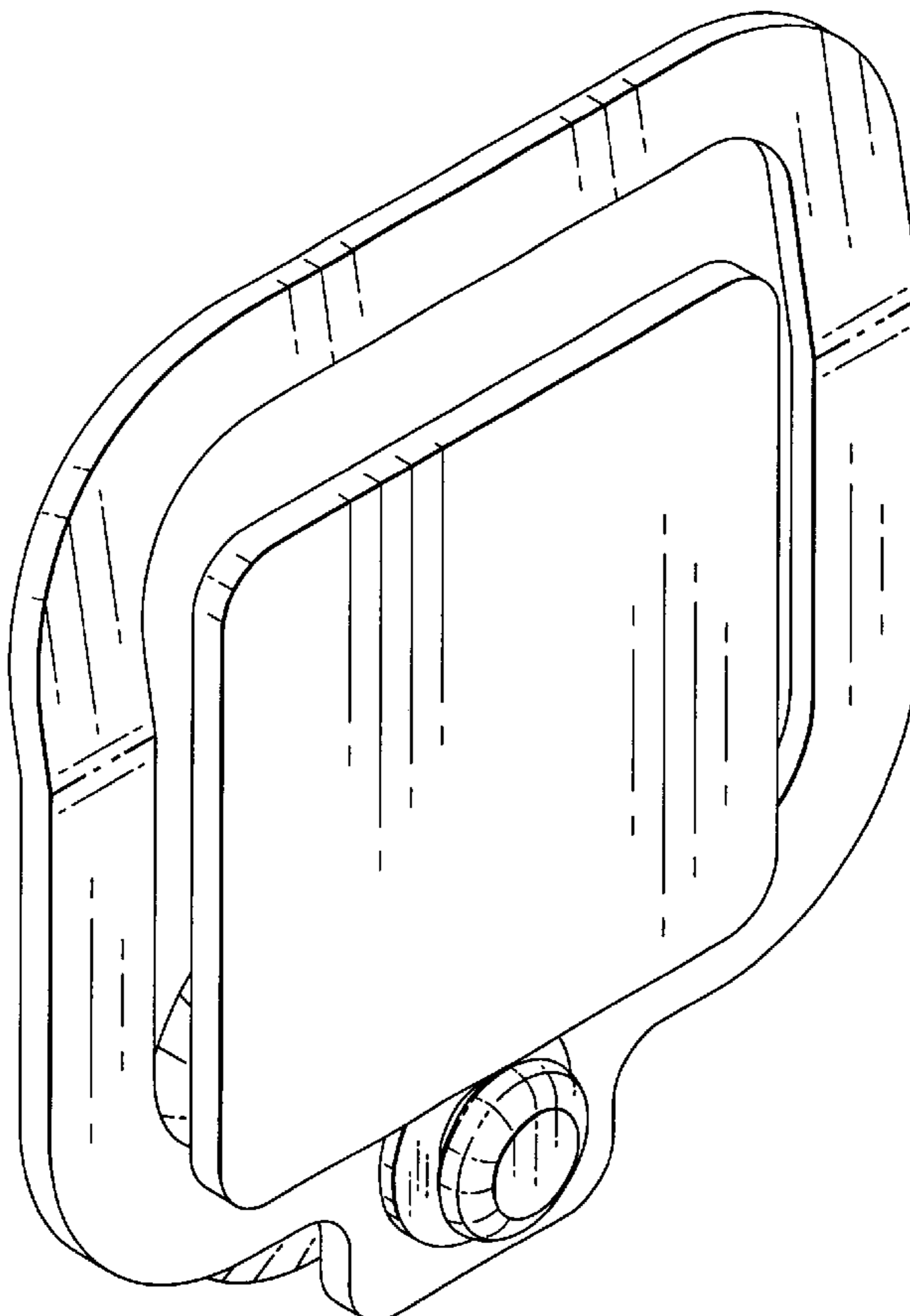
FIG. 3 is a bottom end view of the note clip with suction cup as shown in FIG. 2;

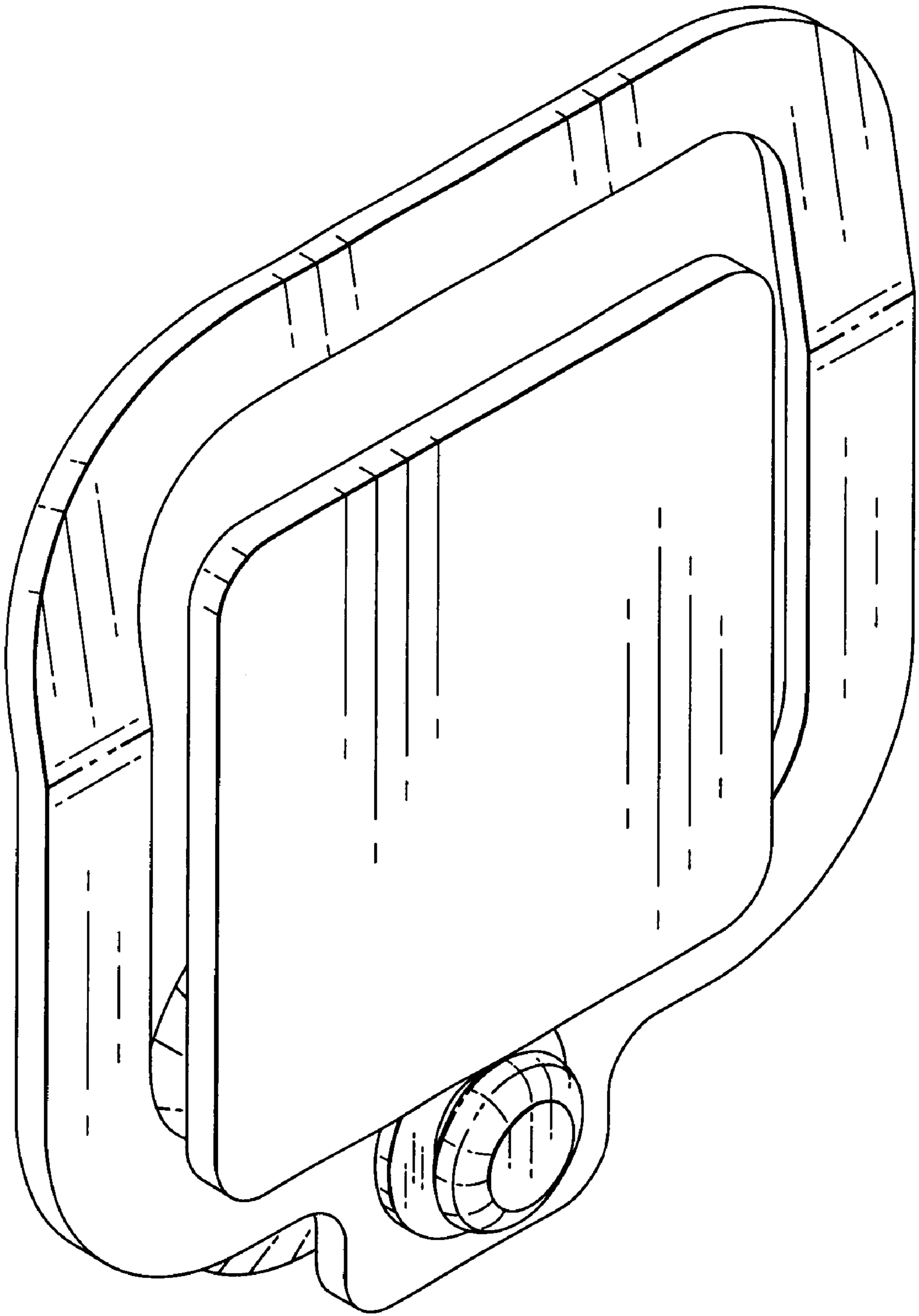
FIG. 4 is a top end view of the note clip with suction cup as shown in FIG. 2;

FIG. 5 is a left side view of the note clip with suction cup as shown in FIG. 2, a right side view being a mirror-reversed view of FIG. 5; and,

FIG. 6 is a rear view of the note clip with suction cup as shown in FIG. 2.

**1 Claim, 3 Drawing Sheets**





*FIG. 1*

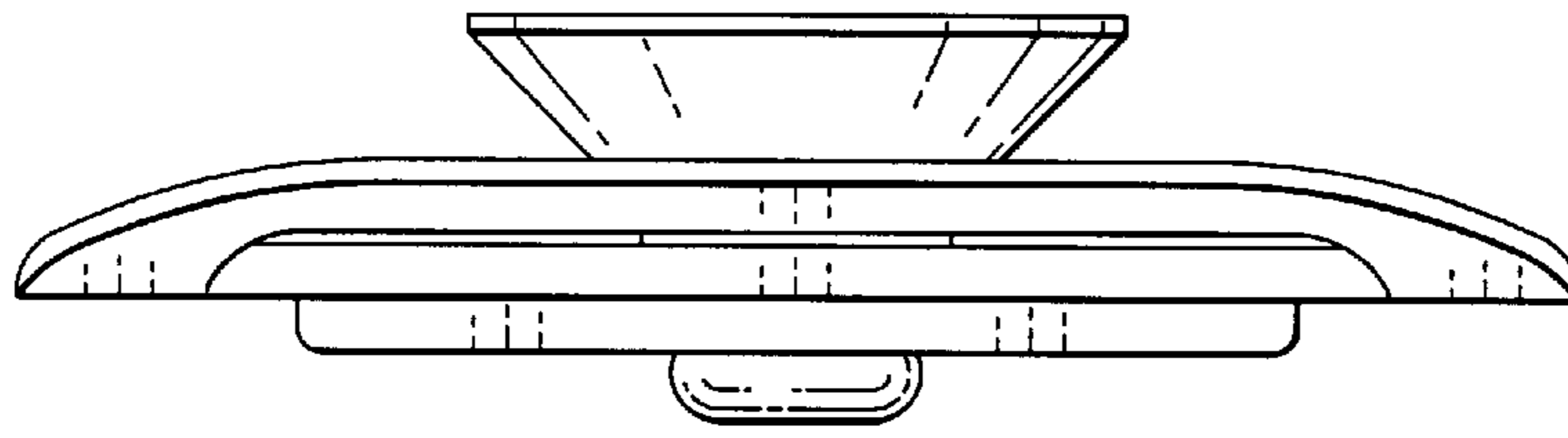


FIG. 4

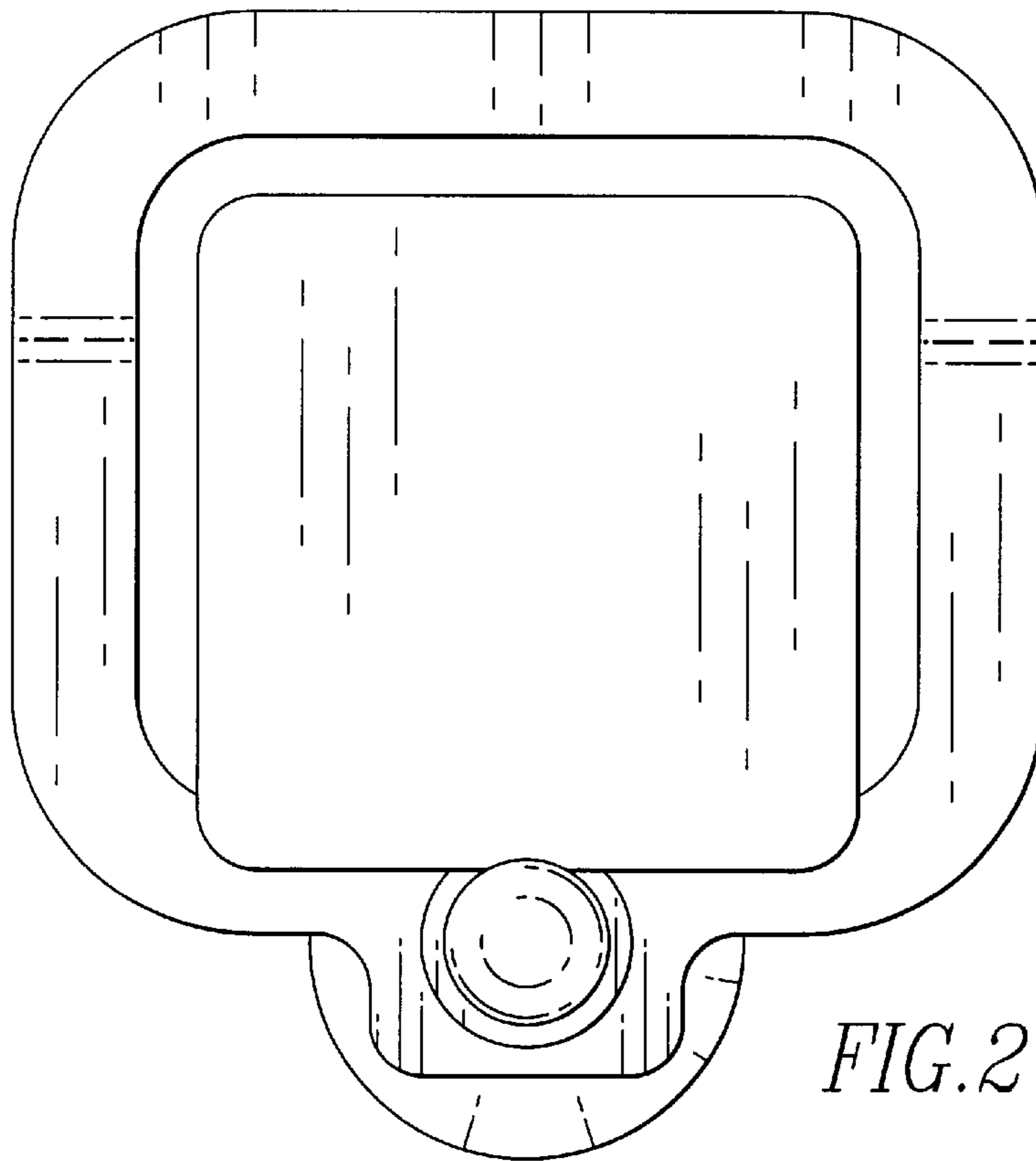


FIG. 2

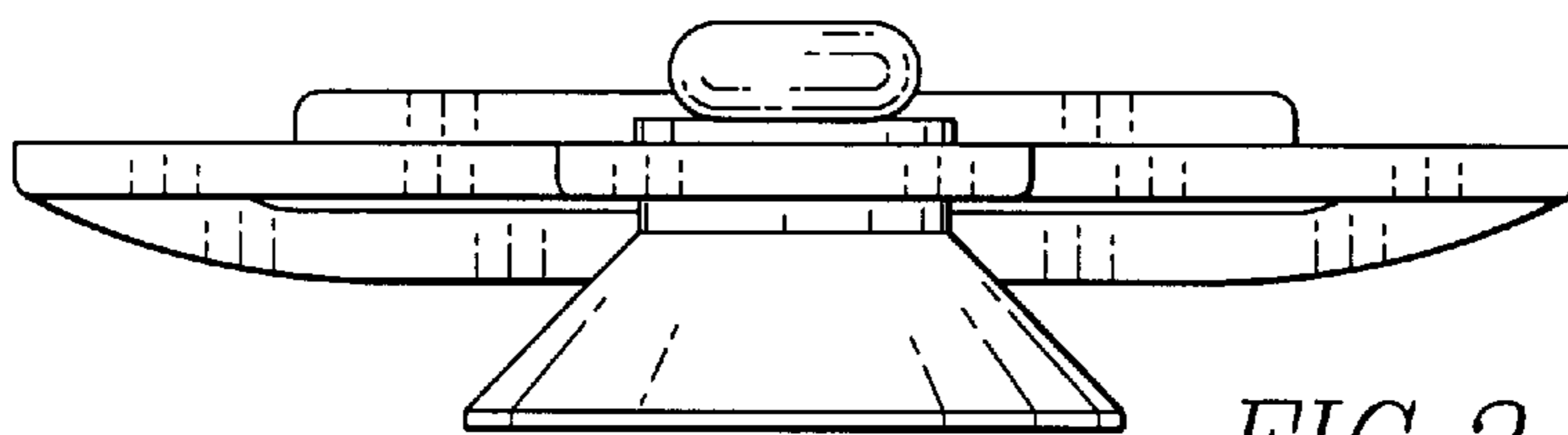


FIG. 3

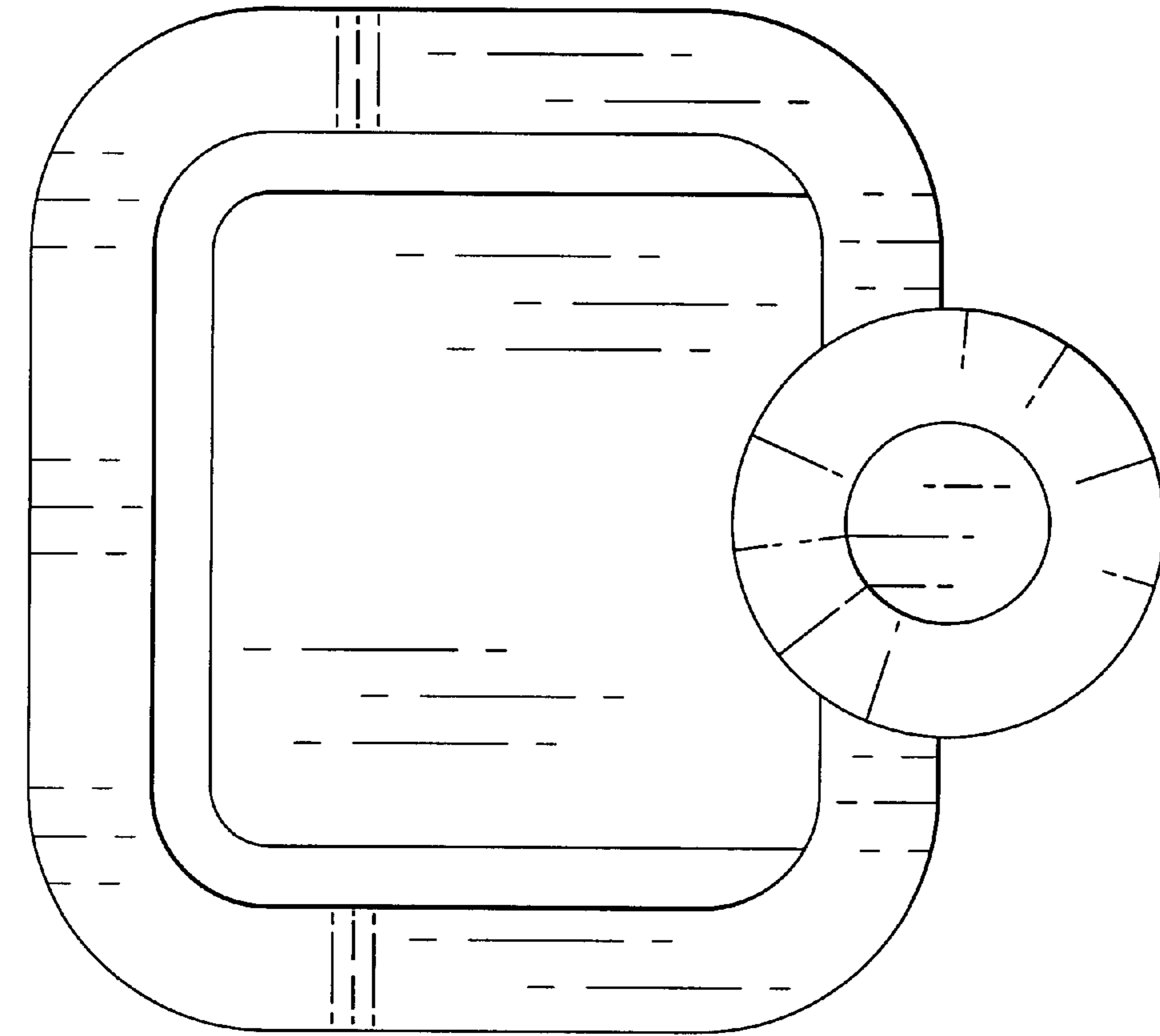


FIG. 5

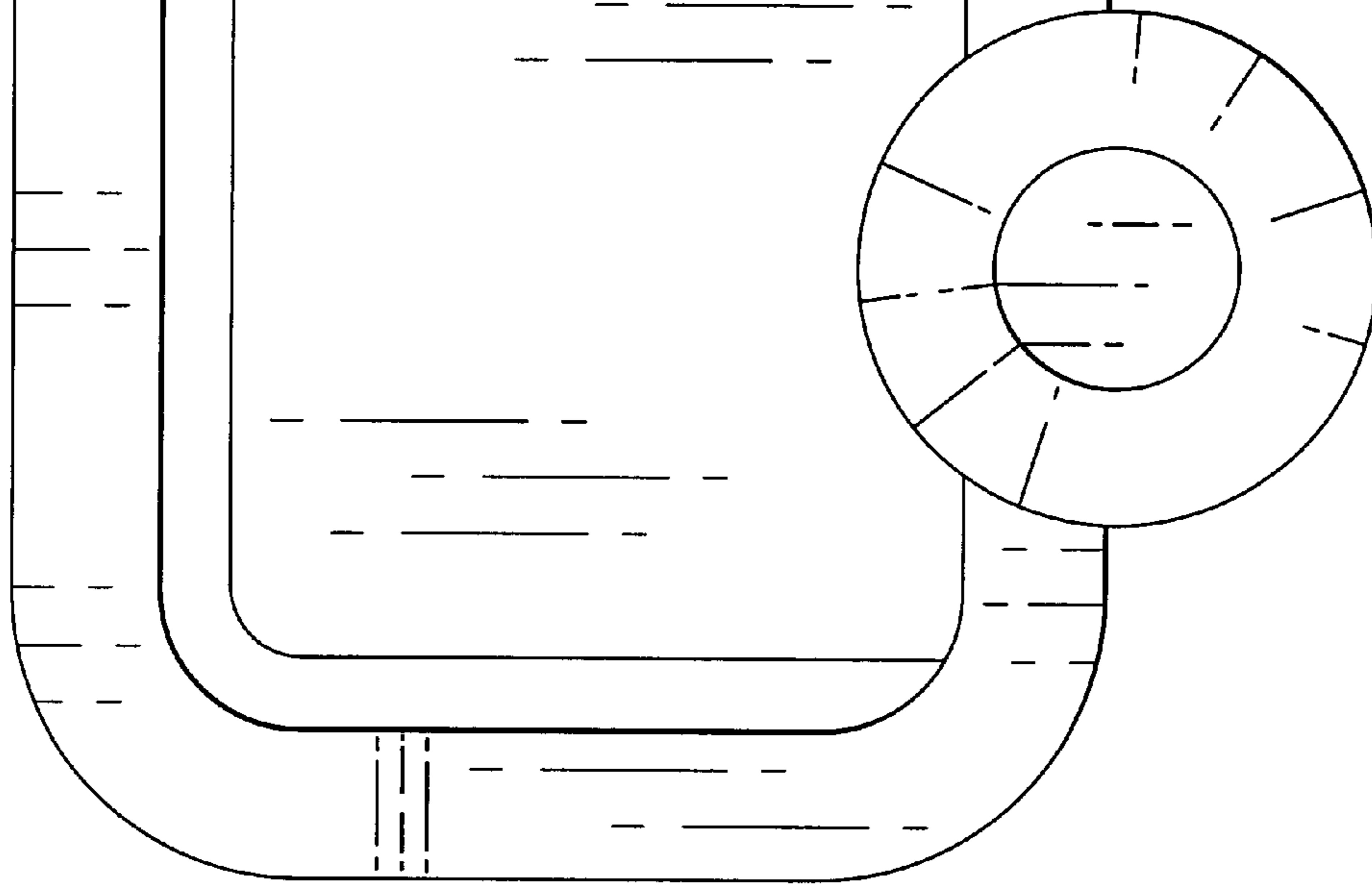


FIG. 6