



US00D487287S

(12) **United States Design Patent**
Hoshiya

(10) **Patent No.:** **US D487,287 S**

(45) **Date of Patent:** **** Mar. 2, 2004**

(54) **PRINTER WITH COPYING AND SCANNING FUNCTIONS**

(75) Inventor: **Kazuhiro Hoshiya**, Nagoya (JP)

(73) Assignee: **Brother Industries, Ltd.**, Nagoya (JP)

(**) Term: **14 Years**

(21) Appl. No.: **29/177,971**

(22) Filed: **Mar. 20, 2003**

(30) **Foreign Application Priority Data**

Oct. 1, 2002 (JP) 2002-026963

(51) **LOC (7) Cl.** **14-02**

(52) **U.S. Cl.** **D18/50; D14/248; D14/471; D18/41**

(58) **Field of Search** D18/7, 36-41, D18/50-56; D13/163; D10/104, 106; D19/59, 60; D14/191, 218, 247, 248, 388, 399-401, 414, 415, 454-456, 462-471; 399/1-7, 75, 81, 130, 151

(56) **References Cited**

U.S. PATENT DOCUMENTS

D375,099 S * 10/1996 Khoo D14/191

D384,070 S * 9/1997 Davis et al. D14/191
D390,231 S * 2/1998 Scheid et al. D14/191
D420,668 S * 2/2000 Choi D14/218
D423,563 S * 4/2000 Collins et al. D18/55
D478,581 S * 8/2003 Lehtonen D14/248

* cited by examiner

Primary Examiner—Caron D. Veynar

(74) *Attorney, Agent, or Firm*—Oliff & Berridge, PLC

(57) **CLAIM**

The ornamental design for a printer with copying and scanning functions, as shown and described.

DESCRIPTION

FIG. 1 is a front view of a printer with copying and scanning functions; and

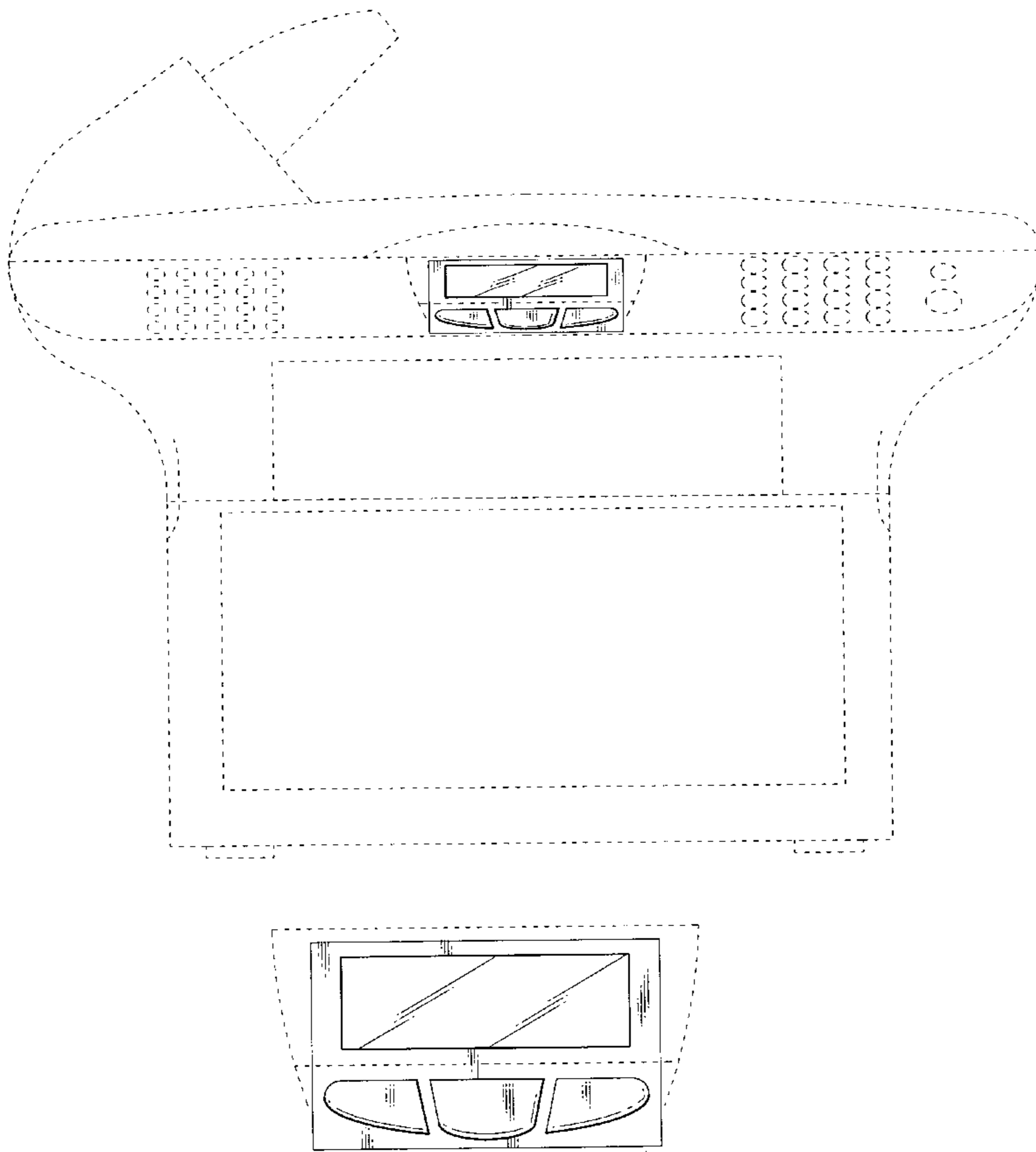
FIG. 2 is a top view thereof; and,

FIG. 3 is an enlarged front view thereof illustrating an area including a display panel and operation buttons.

The left, right, rear and bottom views contain no ornamentality and are omitted.

The broken line showing is for illustrative purposes only and forms no part of the claimed design.

1 Claim, 2 Drawing Sheets



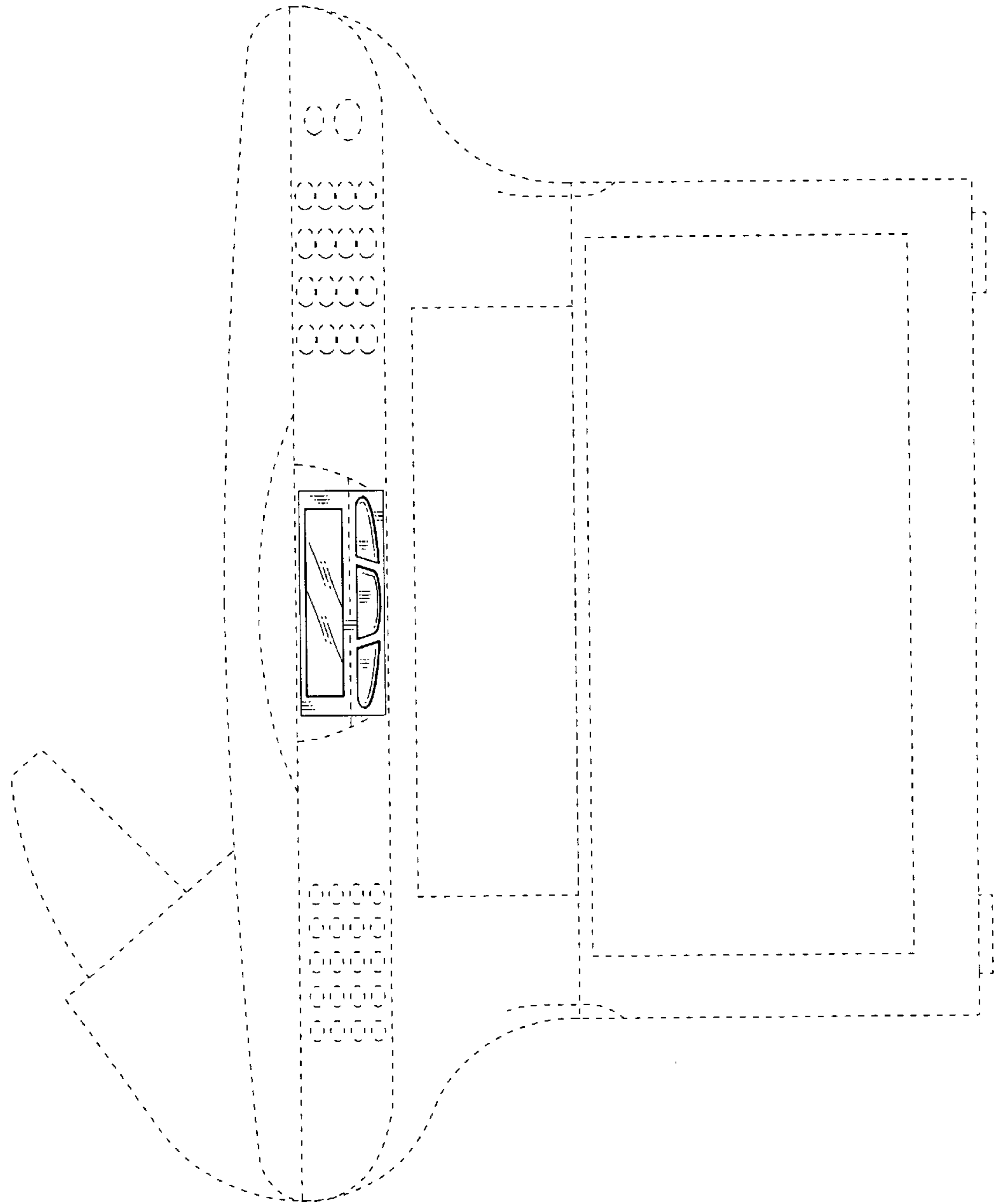


Fig. 1

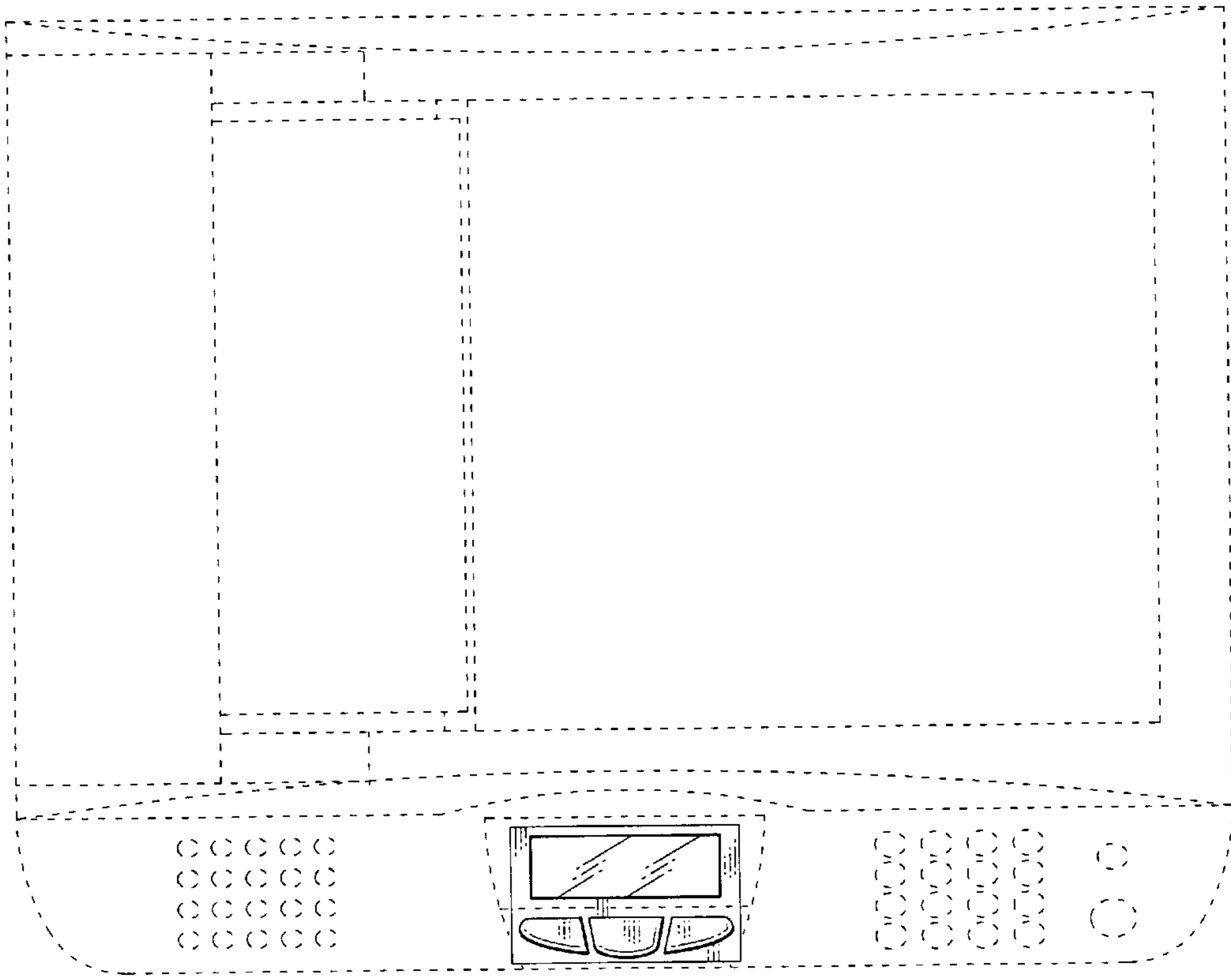


Fig. 2

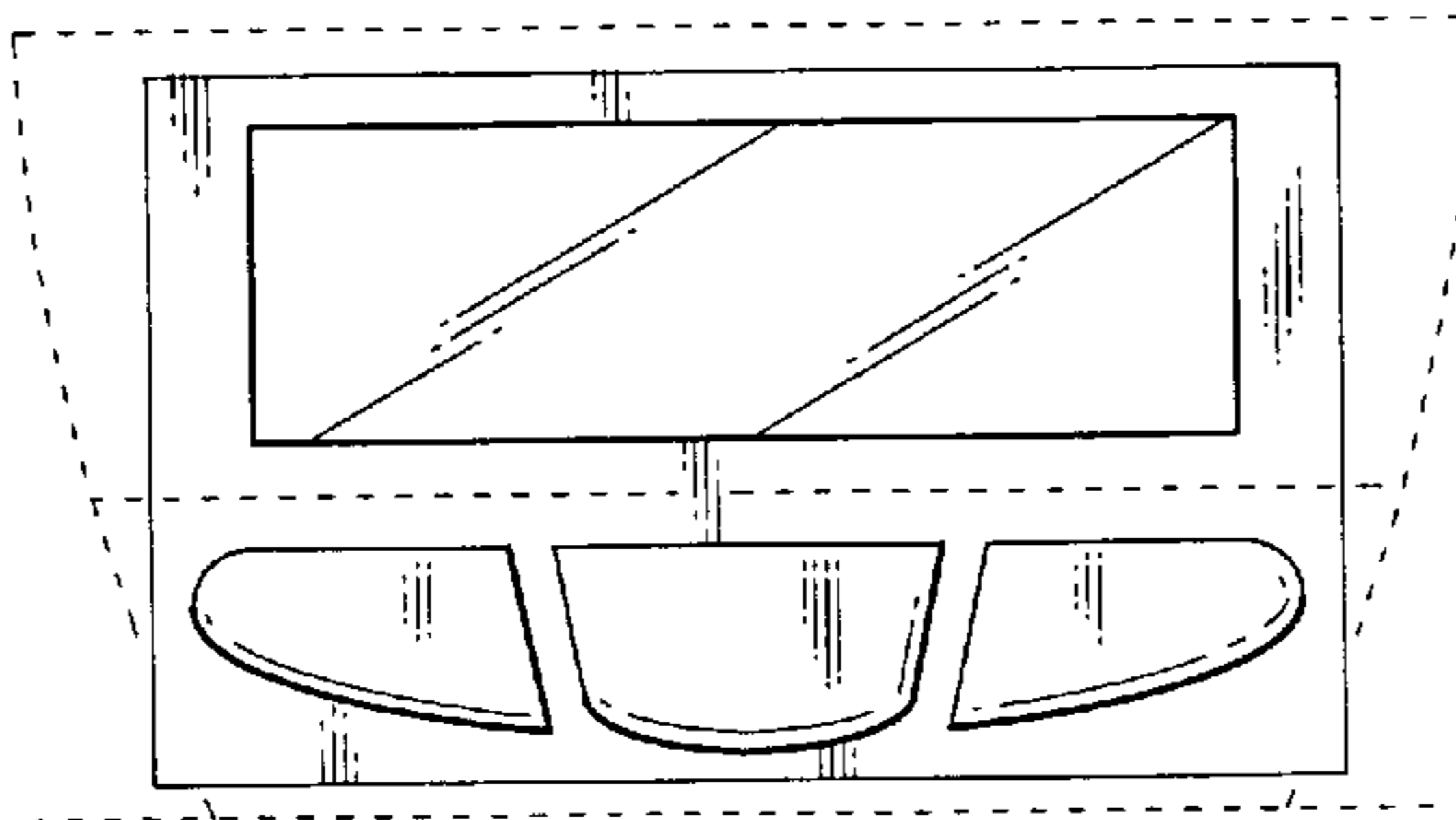


Fig. 3