



US00D487283S

(12) **United States Design Patent**
Watanabe

(10) **Patent No.:** **US D487,283 S**

(45) **Date of Patent:** **** Mar. 2, 2004**

(54) **DIGITAL CAMERA**

(75) Inventor: **Akira Watanabe**, Saitama (JP)

(73) Assignee: **Pentax Corporation**, Tokyo (JP)

(**) Term: **14 Years**

(21) Appl. No.: **29/177,887**

(22) Filed: **Mar. 19, 2003**

(30) **Foreign Application Priority Data**

Sep. 20, 2002 (JP) 2002-025727

(51) **LOC (7) Cl.** **16-01**

(52) **U.S. Cl.** **D16/202**

(58) **Field of Search** **D16/200-204,**
D16/208, 209, 218; 348/373-376; 358/909.1;
396/535-541

(56) **References Cited**

U.S. PATENT DOCUMENTS

D407,098 S	*	3/1999	Goto et al.	D16/202
D410,665 S	*	6/1999	Shinano	D16/202
D422,611 S	*	4/2000	Katayama et al.	D16/202
D423,544 S	*	4/2000	Yamamoto et al.	D16/218
D475,072 S	*	5/2003	Yoshida	D16/202

OTHER PUBLICATIONS

Japanese 016409, published Jun. 20, 2002, PENTAX (Optio 430RS).

* cited by examiner

Primary Examiner—Adir Aronovich

(74) *Attorney, Agent, or Firm*—Sughrue Mion, PLLC

(57) **CLAIM**

The ornamental design for a digital camera, as shown and described.

DESCRIPTION

FIG. 1 is a perspective view of the top, front and right side of a digital camera showing my new design; FIG. 2 is a front elevational view thereof; FIG. 3 is a right side elevational view thereof; FIG. 4 is a left side elevational view thereof; FIG. 5 is a top plan view thereof; FIG. 6 is a bottom plan view thereof; FIG. 7 is a rear elevational view thereof; and, FIG. 8 is a perspective view similar to FIG. 1 with the lens extended.

1 Claim, 4 Drawing Sheets

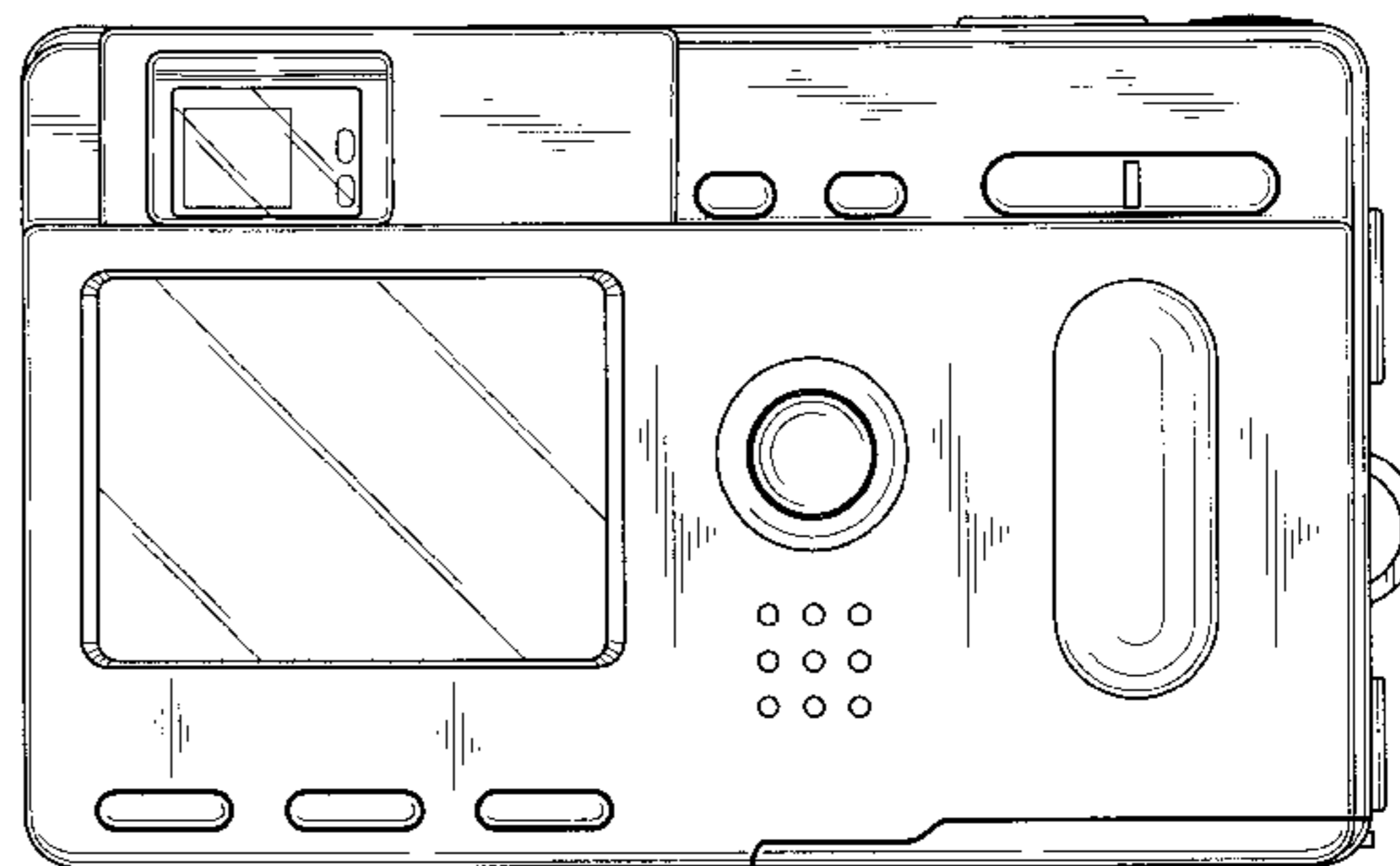
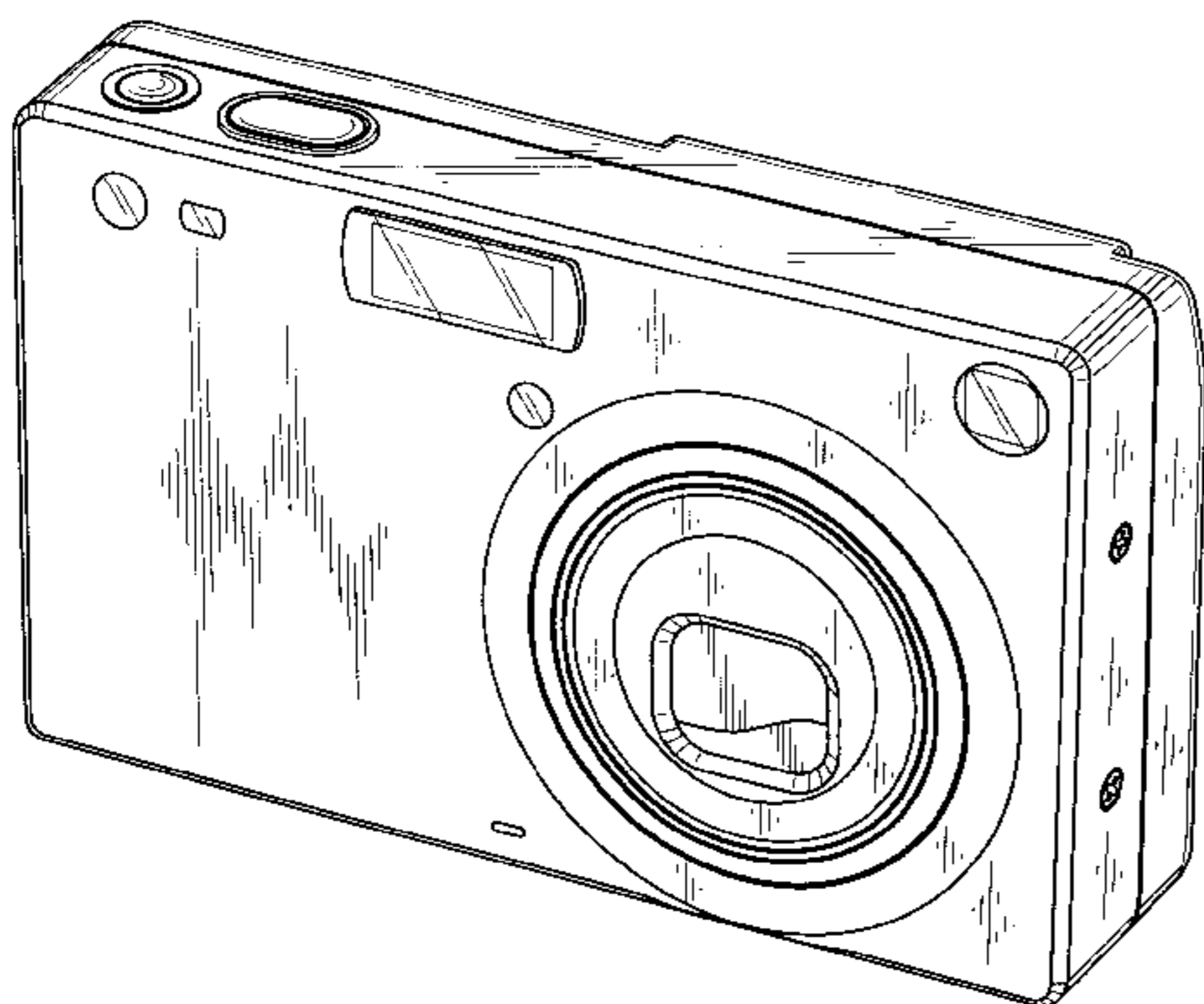


FIG. 1

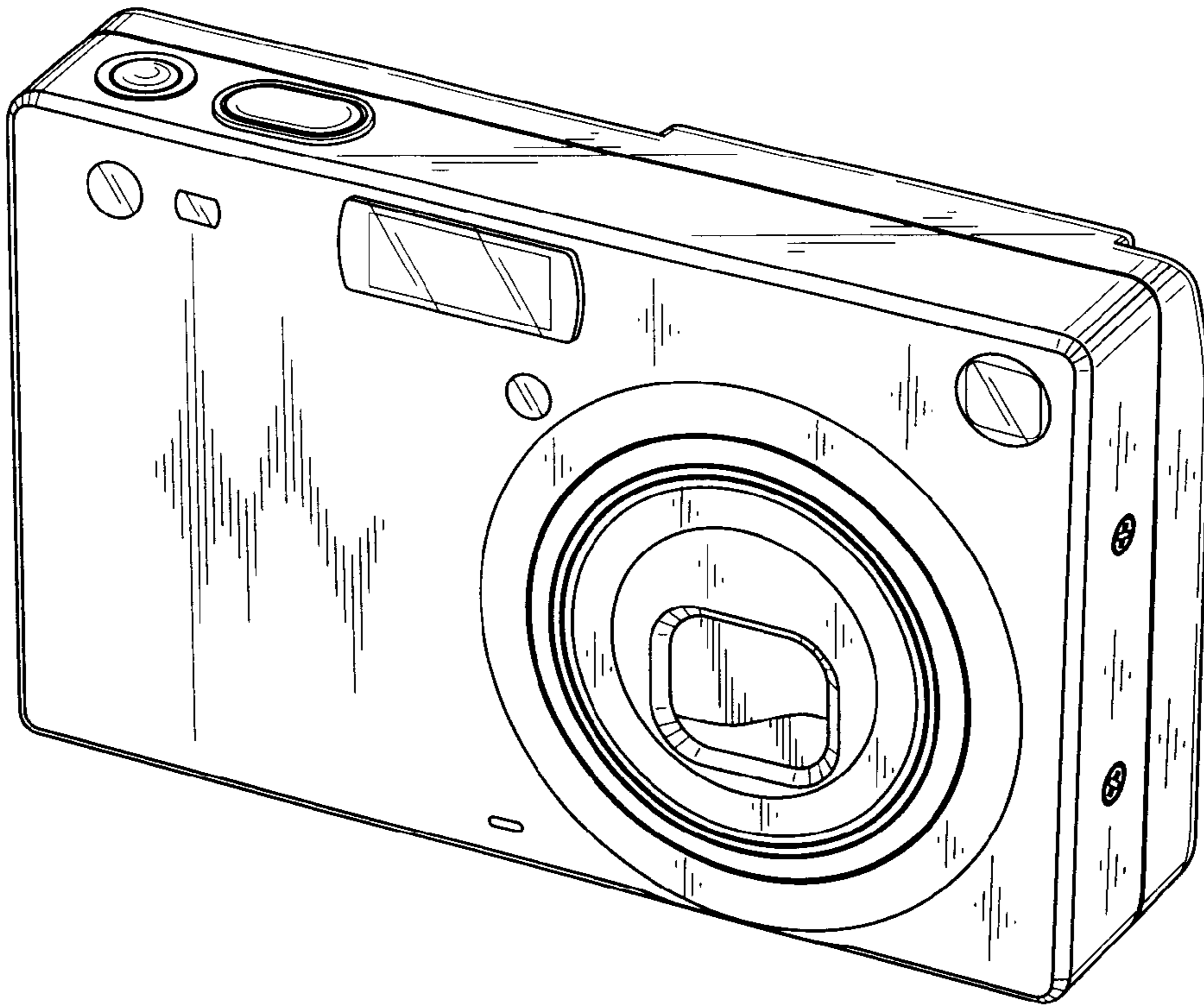


FIG. 2

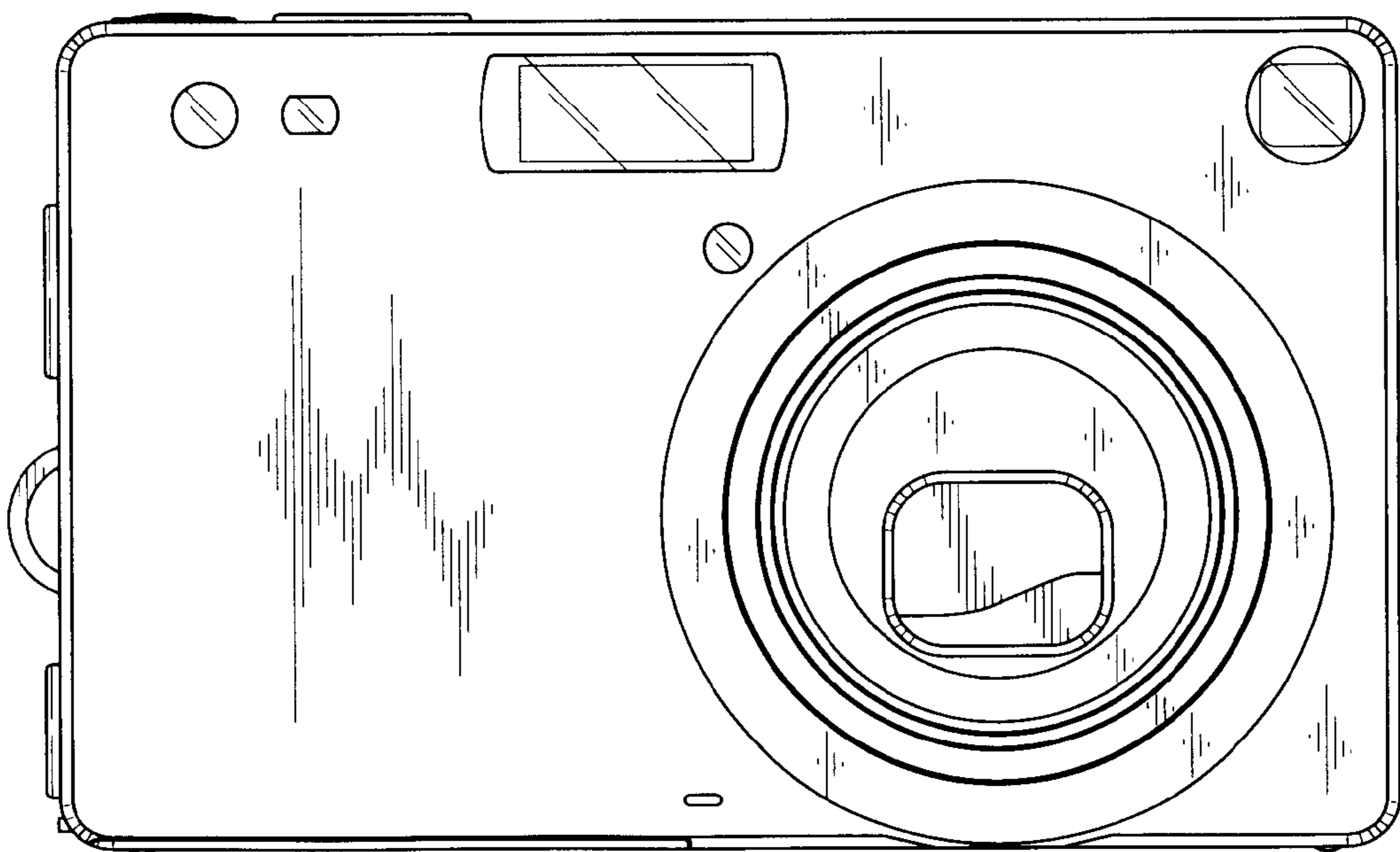


FIG. 3

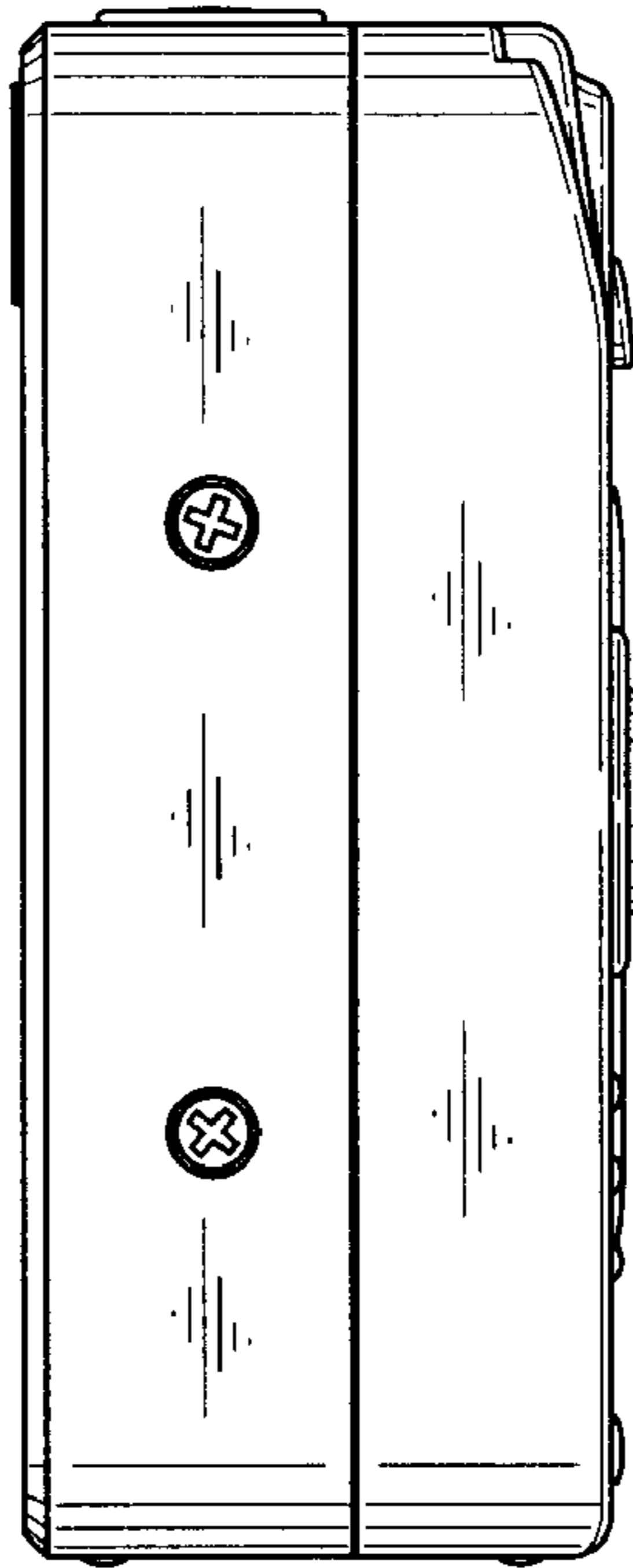


FIG. 4

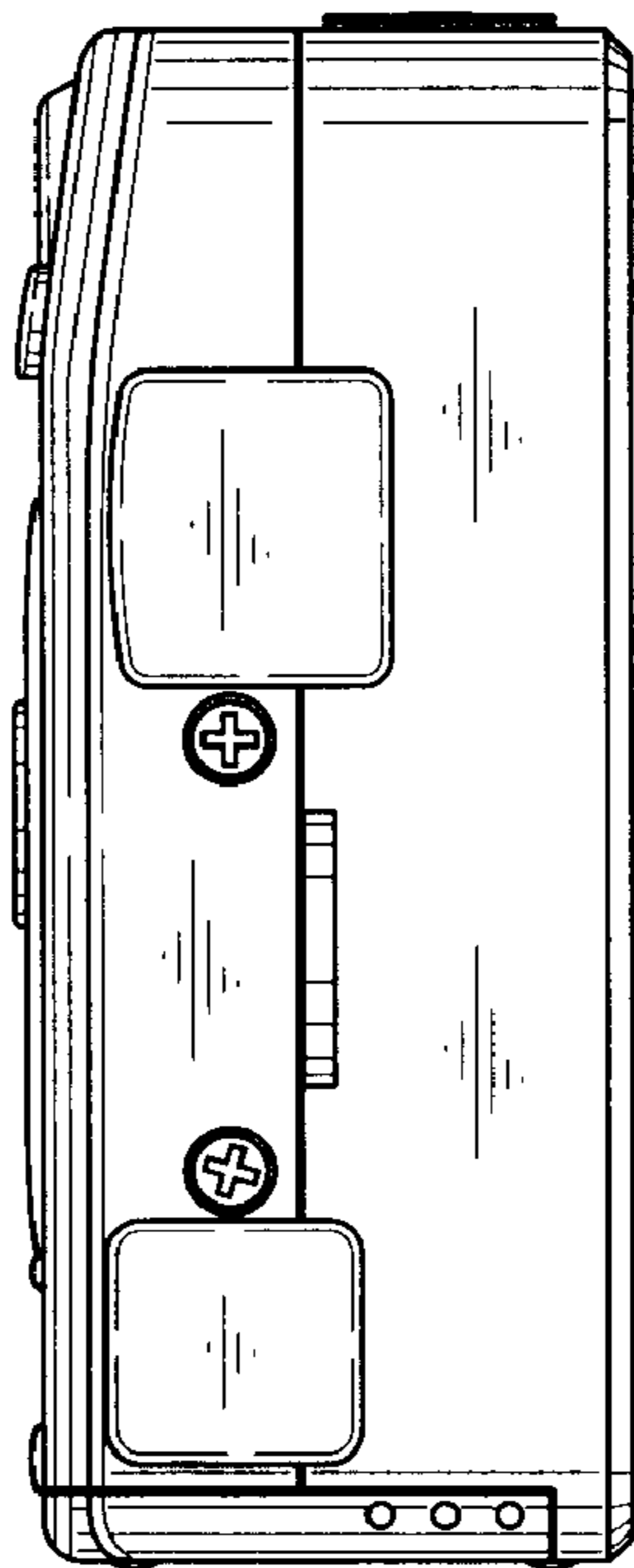


FIG. 5

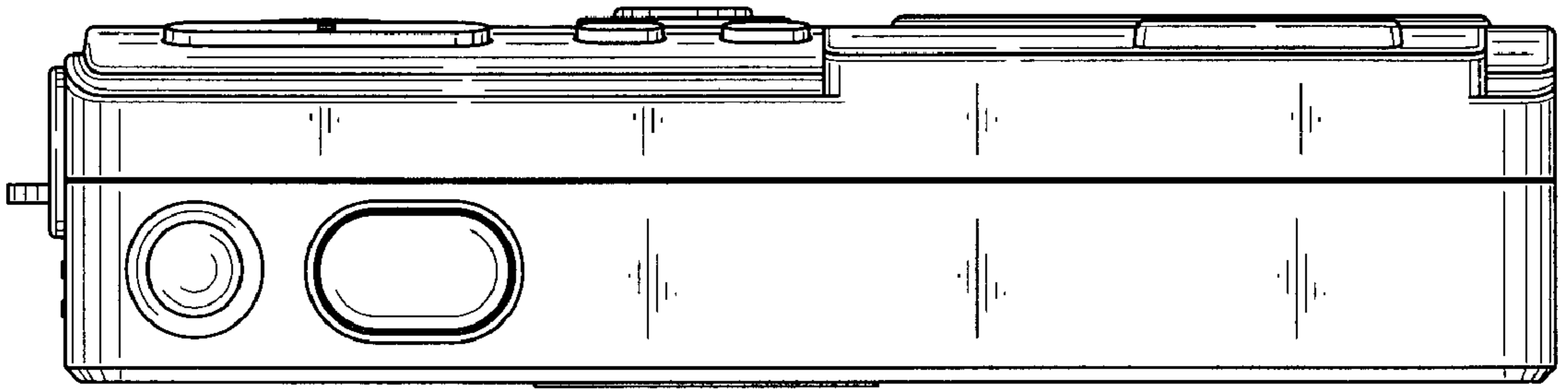


FIG. 6

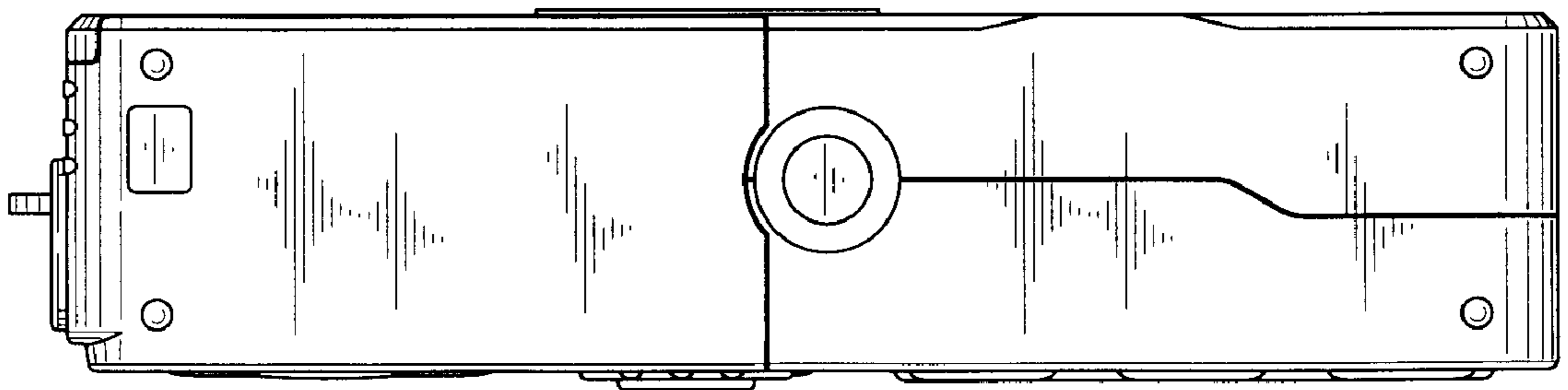


FIG. 7

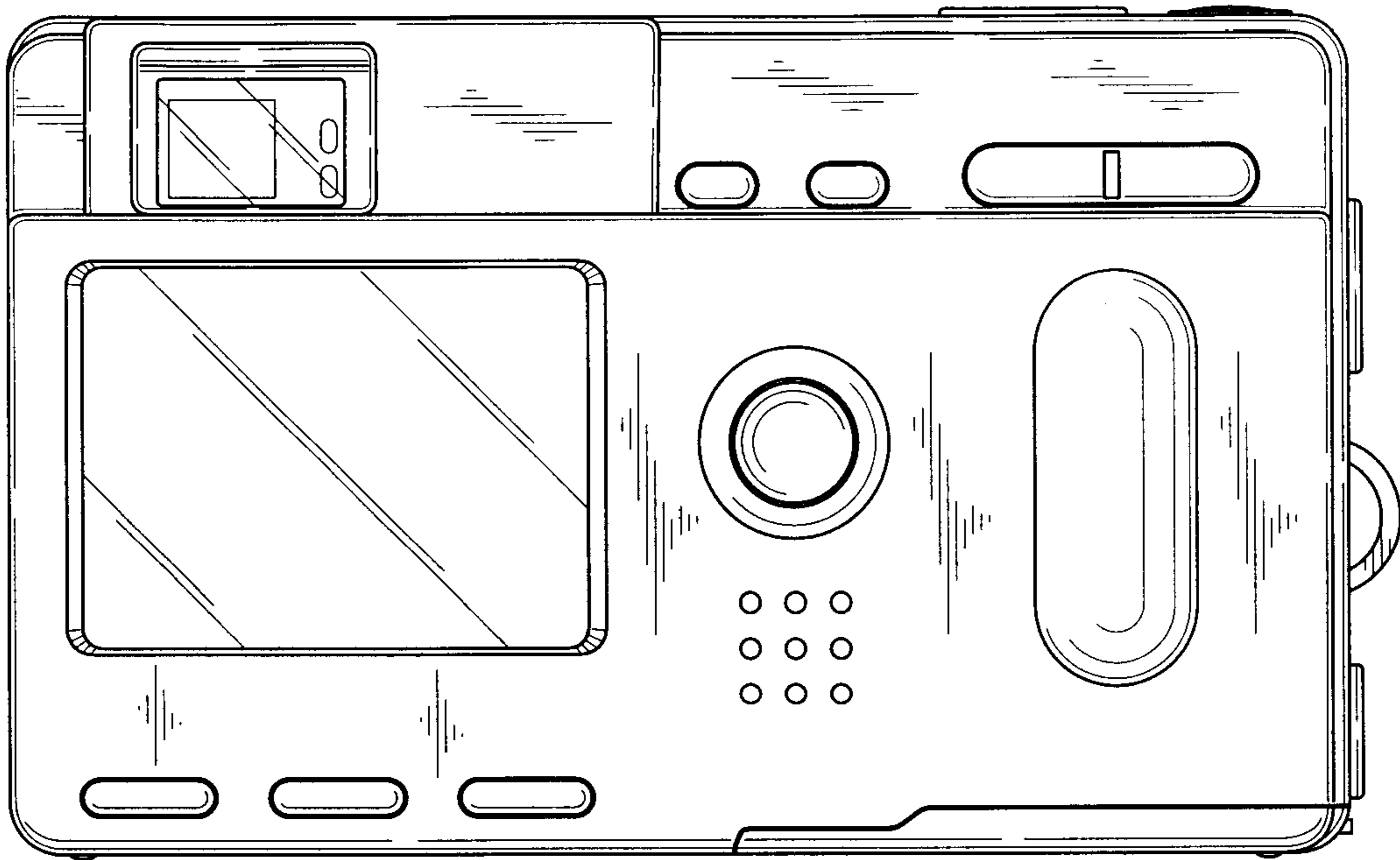


FIG. 8

