



US00D487282S

(12) **United States Design Patent**
Zhou

(10) **Patent No.:** **US D487,282 S**

(45) **Date of Patent:** **** Mar. 2, 2004**

(54) **DIGITAL CAMERA**

(75) Inventor: **Ju Zhou**, Chengdu (CN)

(73) Assignee: **Olympus Corporation**, Tokyo (JP)

(**) Term: **14 Years**

(21) Appl. No.: **29/174,679**

(22) Filed: **Jan. 22, 2003**

(51) **LOC (7) Cl.** **16-01**

(52) **U.S. Cl.** **D16/202; D16/212**

(58) **Field of Search** **D16/200-204,**
D16/208, 209, 211, 212, 218; 396/349,
448, 535-541

(56) **References Cited**

U.S. PATENT DOCUMENTS

- D384,684 S * 10/1997 Hamamura D16/209
- D410,019 S * 5/1999 Shimobayashi et al. ... D16/209
- 5,913,089 A * 6/1999 Ebe 396/448
- D437,868 S * 2/2001 Naito D16/212
- D464,665 S * 10/2002 Yoshida D16/202

D465,800 S * 11/2002 Suzuki et al. D16/202

* cited by examiner

Primary Examiner—Adir Aronovich

(74) *Attorney, Agent, or Firm*—Hogan & Hartson LLP

(57) **CLAIM**

The ornamental design for a digital camera, substantially as shown and described.

DESCRIPTION

FIG. 1 is a front perspective view of a digital camera showing my new design.

FIG. 2 is a back perspective view of a digital camera.

FIG. 3 is a front elevation view of a digital camera.

FIG. 4 is a back elevation view of a digital camera.

FIG. 5 is a top plan view of a digital camera.

FIG. 6 is a bottom plan view of a digital camera.

FIG. 7 is a right side view of a digital camera.

FIG. 8 is a left side view of a digital camera; and,

FIG. 9 is a front elevational view of a digital camera with the lens cover in an open position.

1 Claim, 6 Drawing Sheets

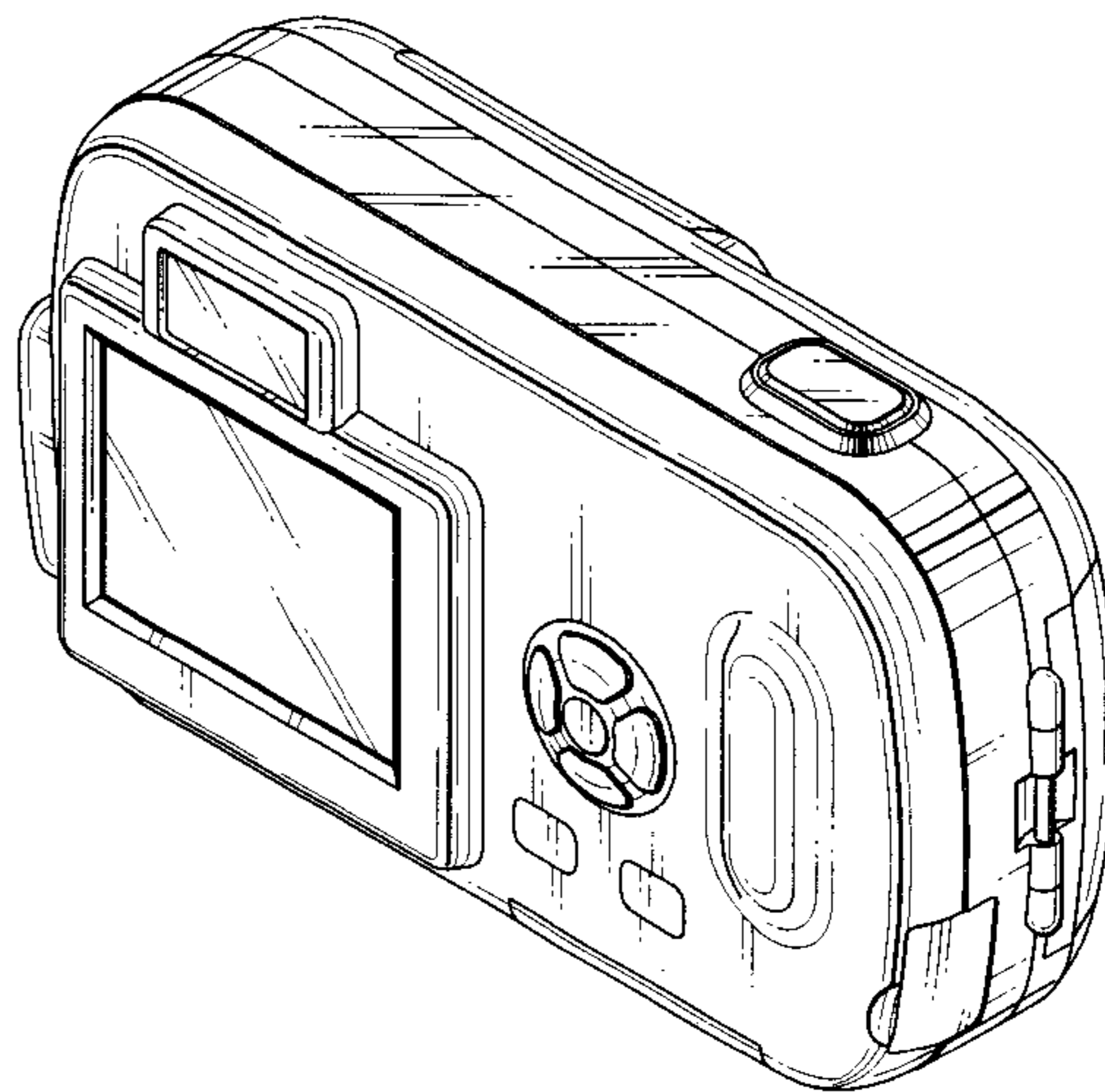
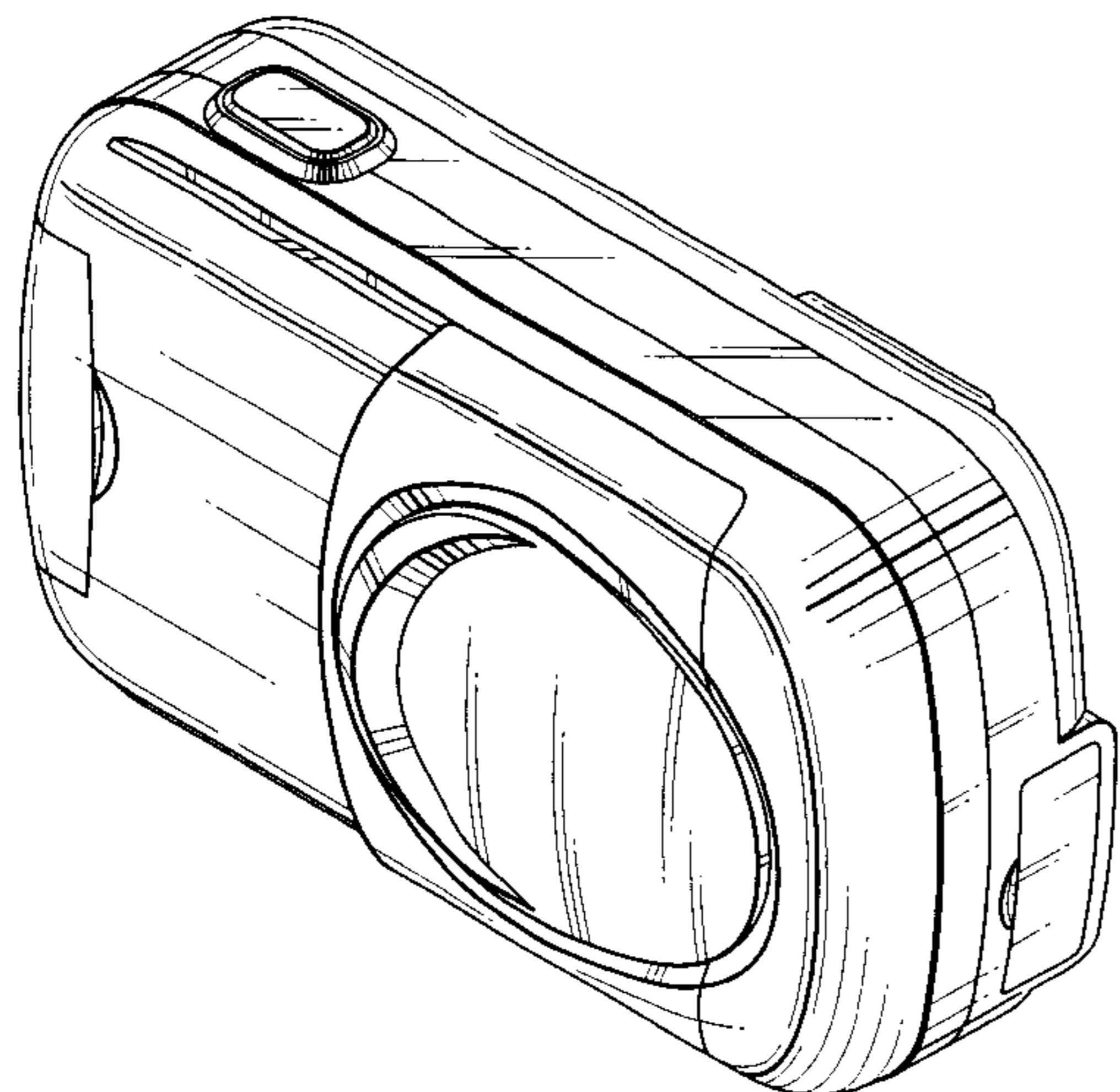


FIG. 1

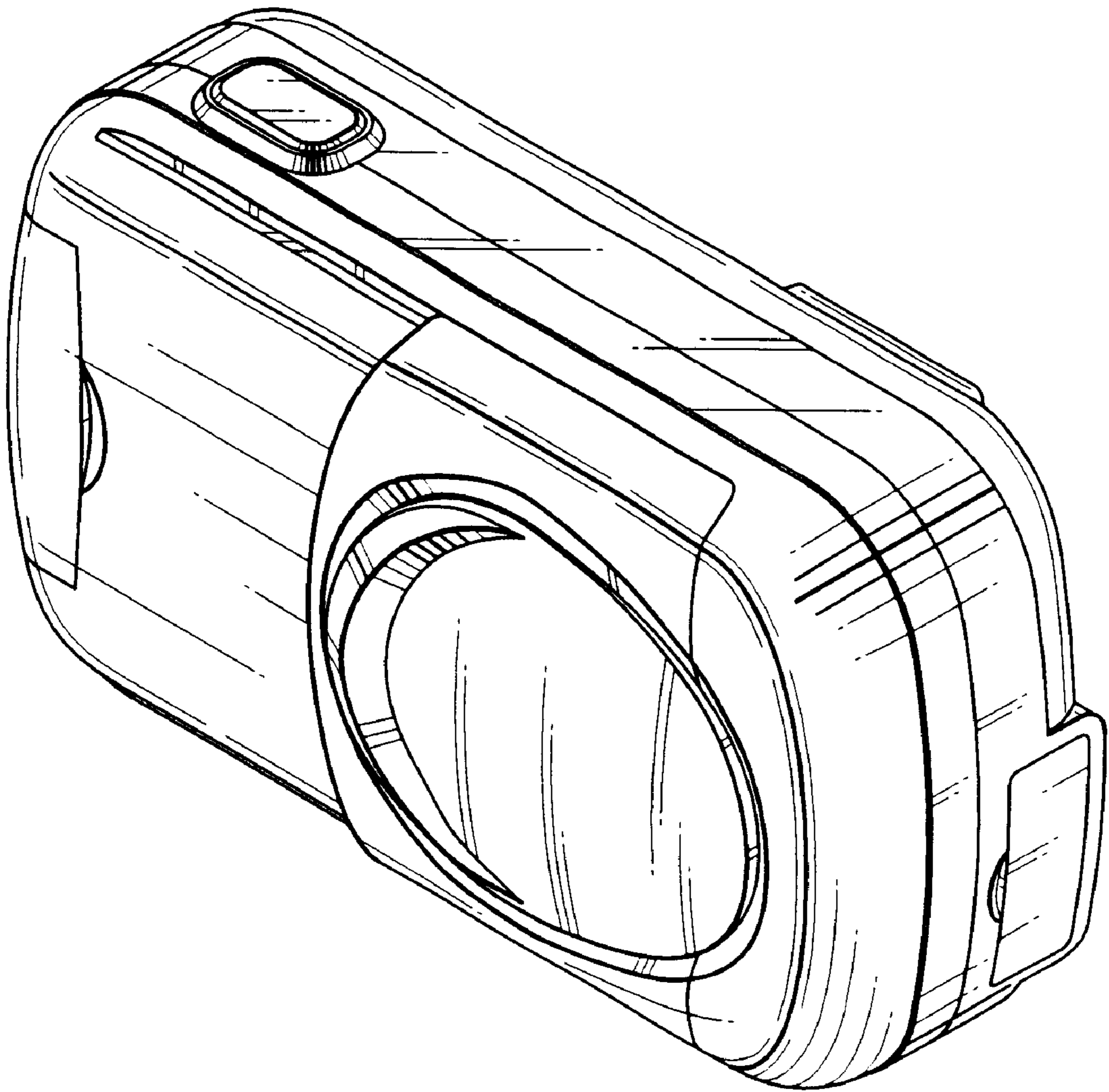


FIG. 2

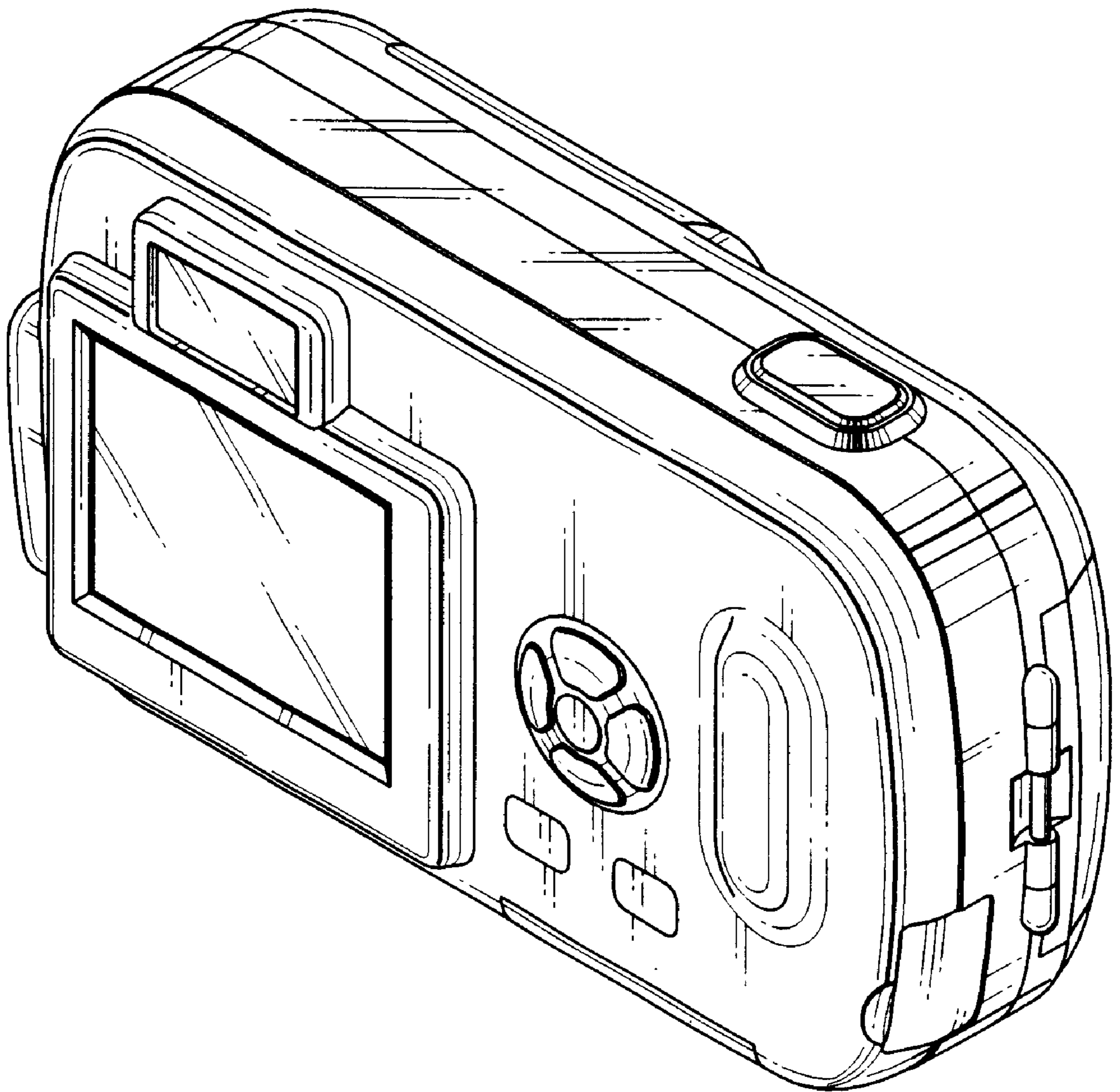


FIG. 3

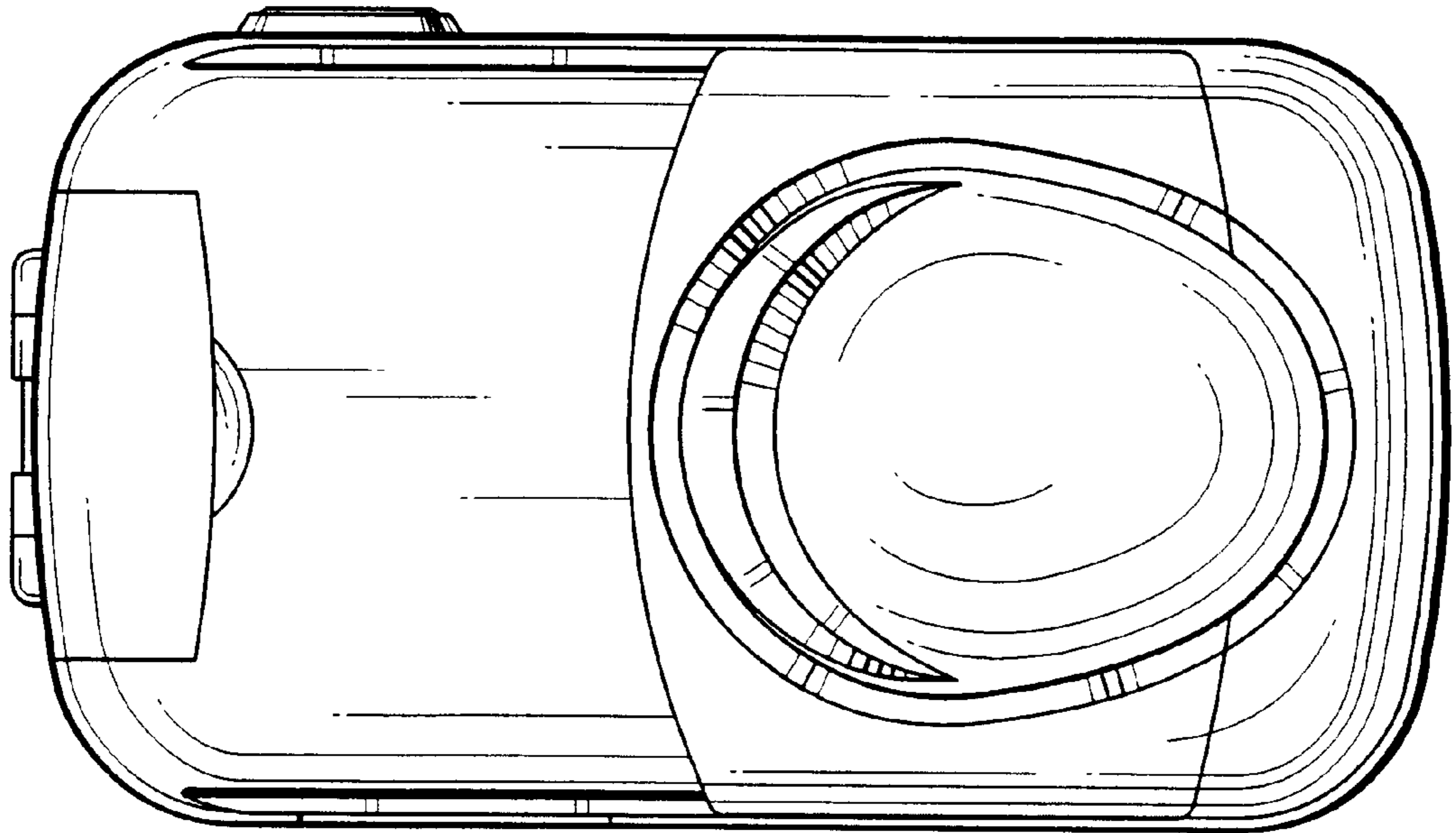


FIG. 4

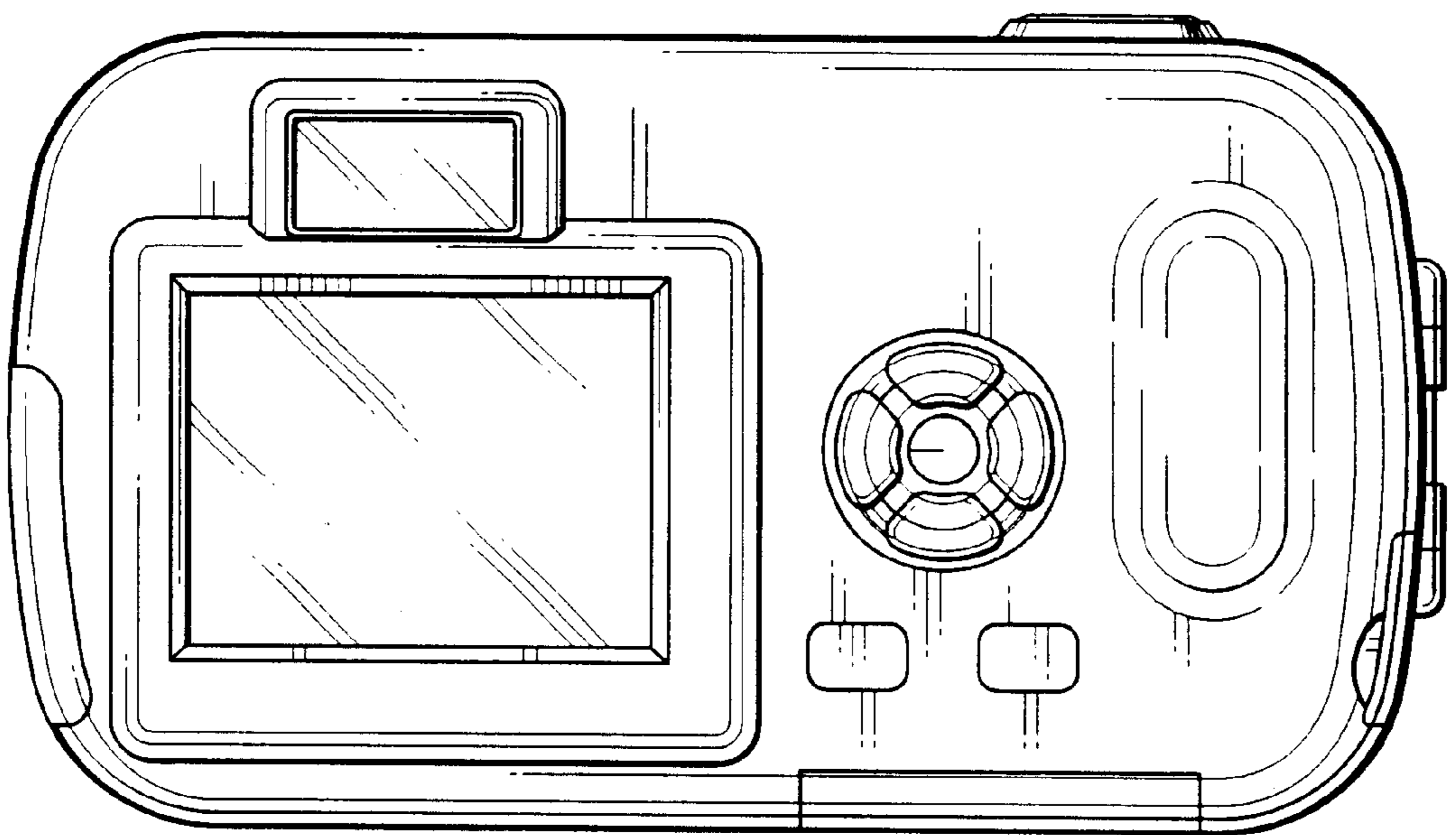


FIG.5

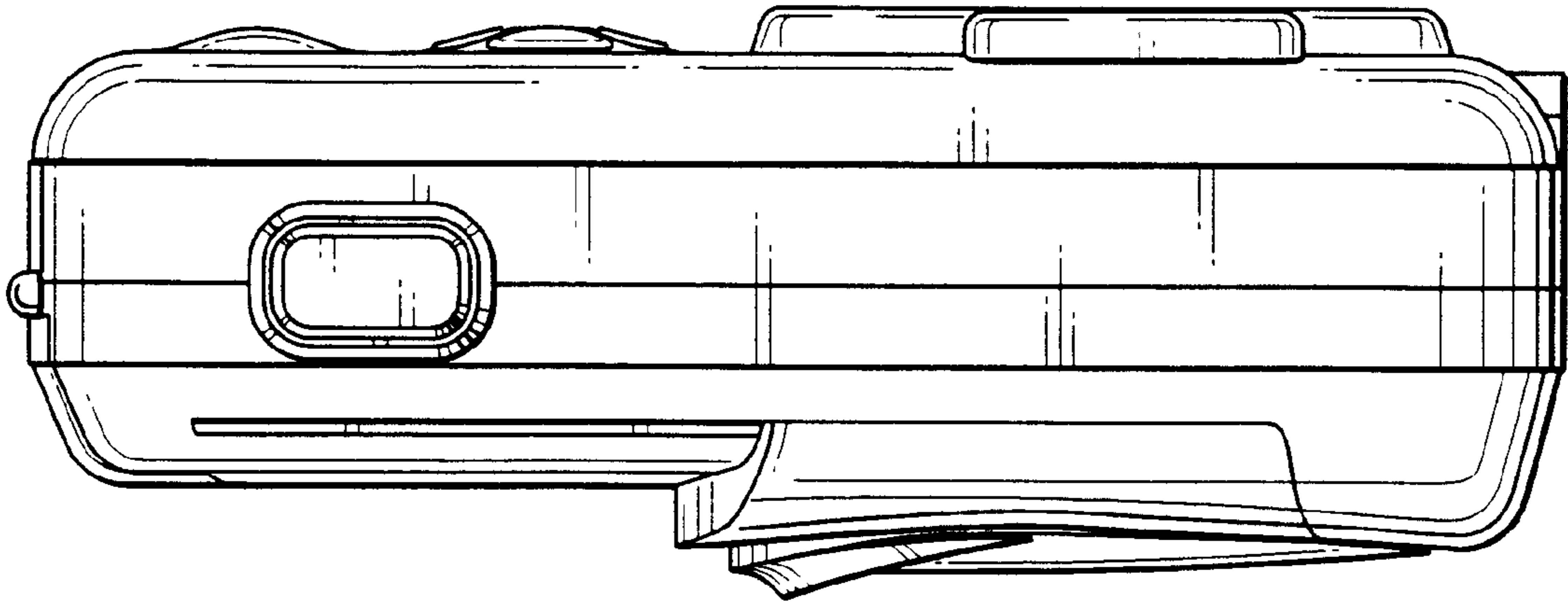


FIG.6

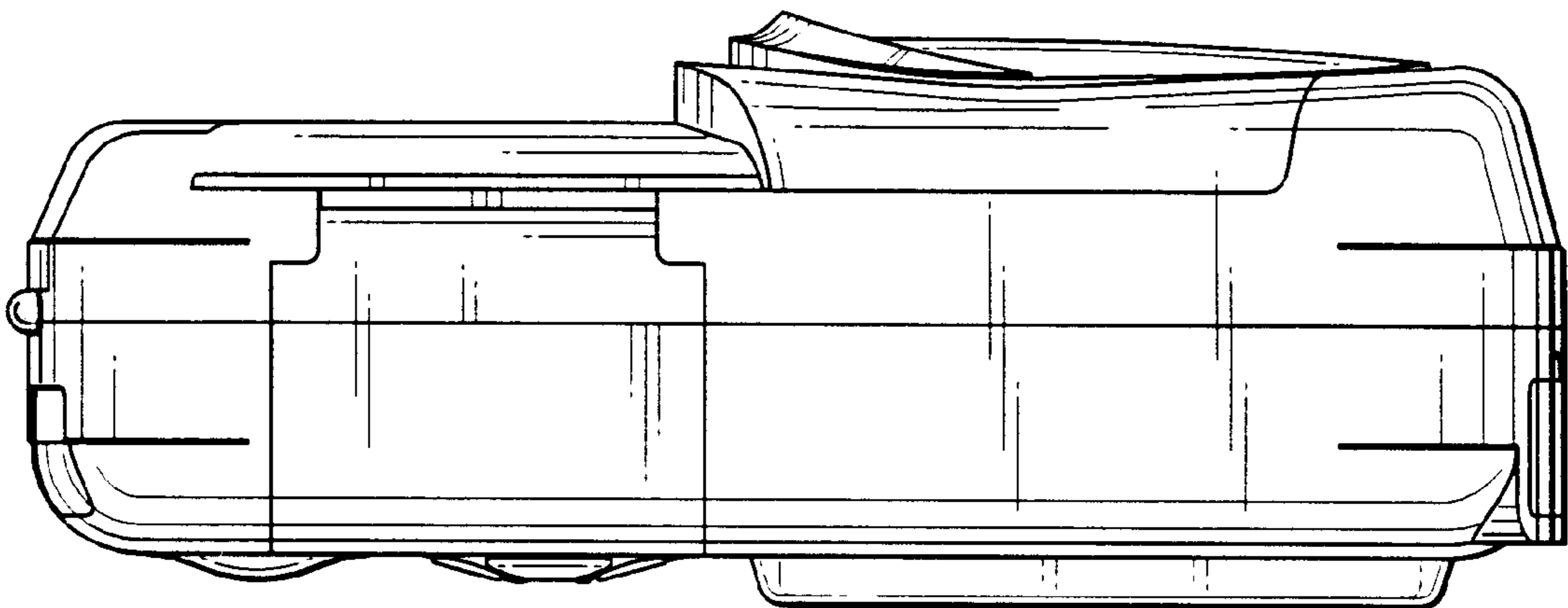


FIG. 7

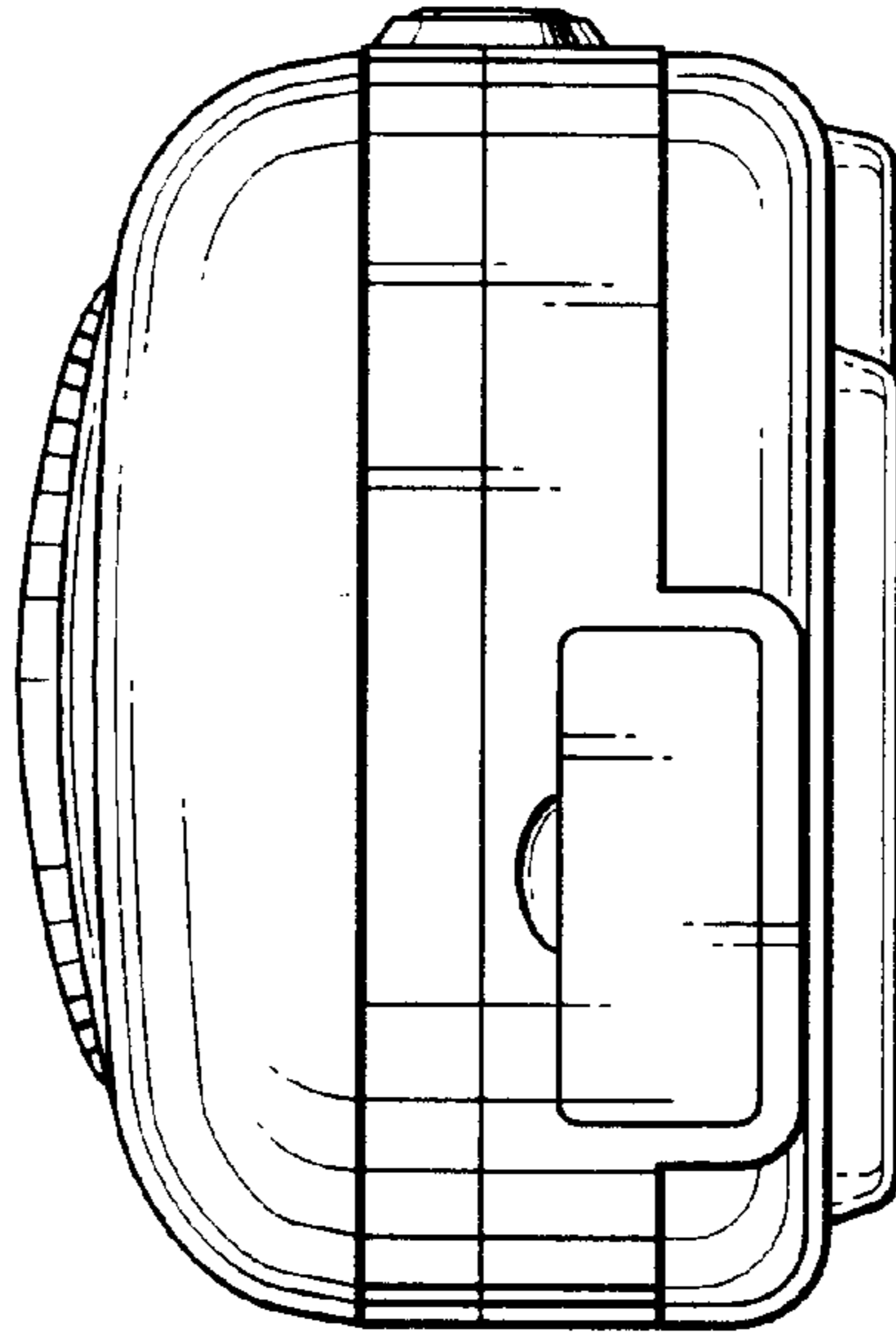


FIG. 8

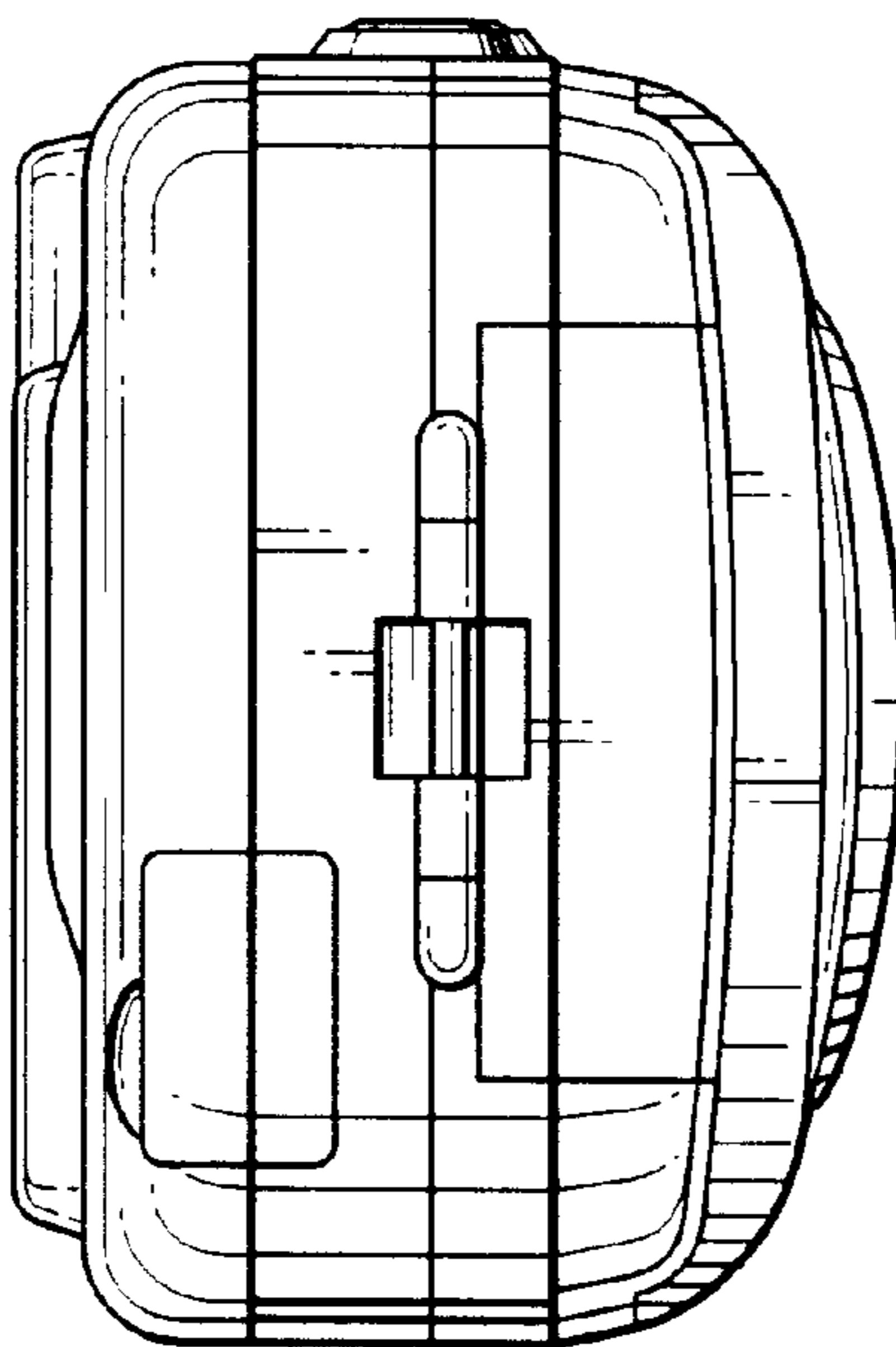


FIG. 9

