



US00D487281S

(12) **United States Design Patent**
Roman et al.

(10) **Patent No.:** **US D487,281 S**
(45) **Date of Patent:** **** Mar. 2, 2004**

(54) **CUTTING INSERT FOR CUTTING TOOL**

(75) Inventors: **Stefan Roman**, Kungsgården (SE); **Leif Widin**, Sandviken (SE)

(73) Assignee: **Sandvik Aktiebolag**, Sandviken (SE)

(**) Term: **14 Years**

(21) Appl. No.: **29/171,763**

(22) Filed: **Nov. 29, 2002**

(30) **Foreign Application Priority Data**

May 29, 2002 (SE) 02-0854

(51) **LOC (7) Cl.** **15-09**

(52) **U.S. Cl.** **D15/139**

(58) **Field of Search** D15/139; 407/113-117

(56) **References Cited**

U.S. PATENT DOCUMENTS

5,232,319 A * 8/1993 Satran et al. 407/114
6,543,970 B1 * 4/2003 Qvarth et al. 407/114

* cited by examiner

Primary Examiner—Antoine Duval Davis
(74) *Attorney, Agent, or Firm*—Burns, Doane, Swecker & Mathis, L.L.P.

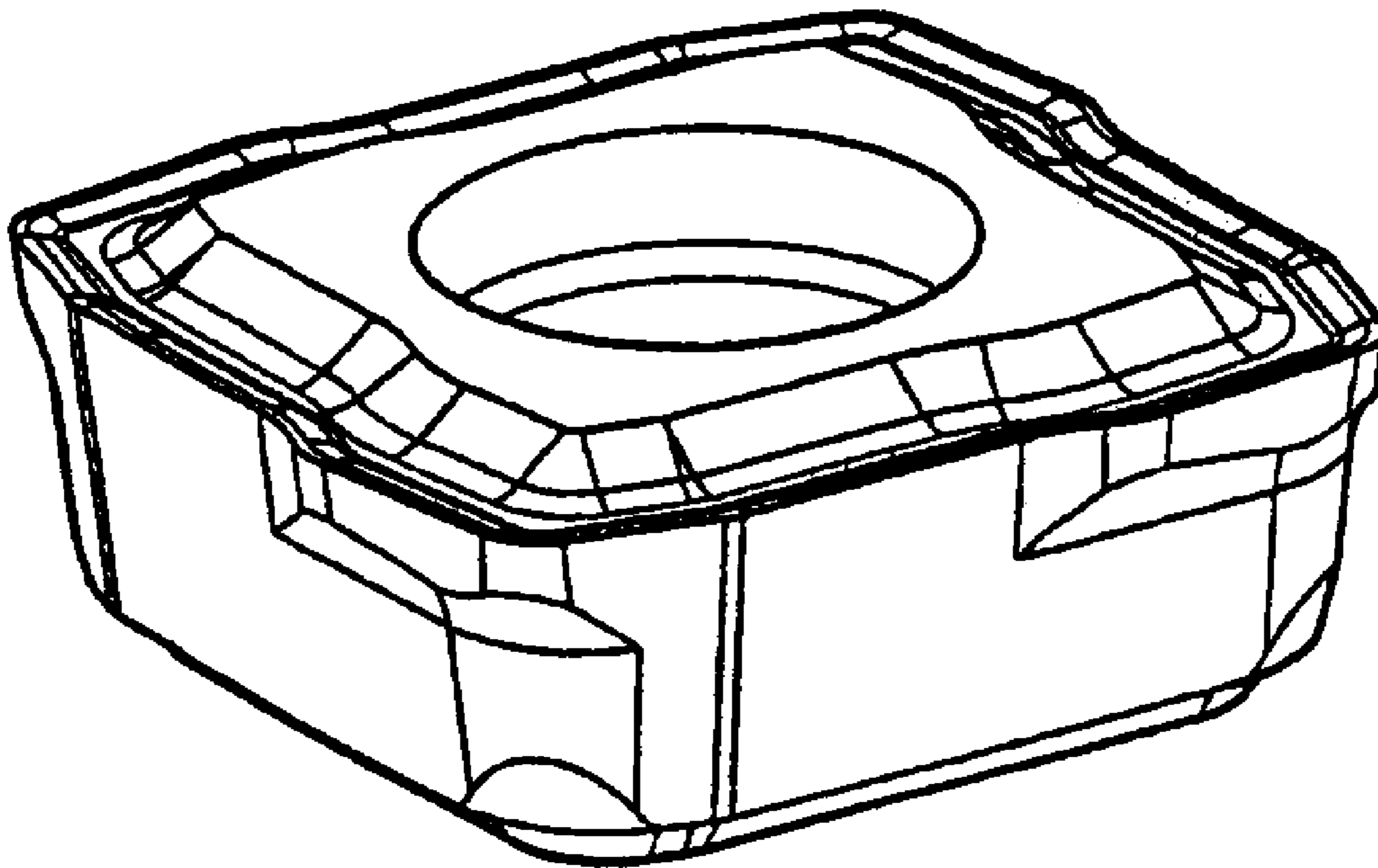
(57) **CLAIM**

The ornamental design for a cutting insert for cutting tool, as shown and described.

DESCRIPTION

FIG. 1 is a front, side perspective view of a cutting insert illustrating the new design.
FIG. 2 is a bottom, side perspective of a cutting insert illustrating the new design.
FIG. 3 is a rear elevational view of the cutting insert of FIG. 7.
FIG. 4 is a left side elevational view of the cutting insert of FIG. 7.
FIG. 5 is a front elevational view of the cutting insert of FIG. 7.
FIG. 6 is a right side elevational view of the cutting insert of FIG. 7.
FIG. 7 is a top plan view of the cutting insert of FIG. 1; and, FIG. 8 is a bottom plan view of the cutting insert of FIG. 1.

1 Claim, 1 Drawing Sheet



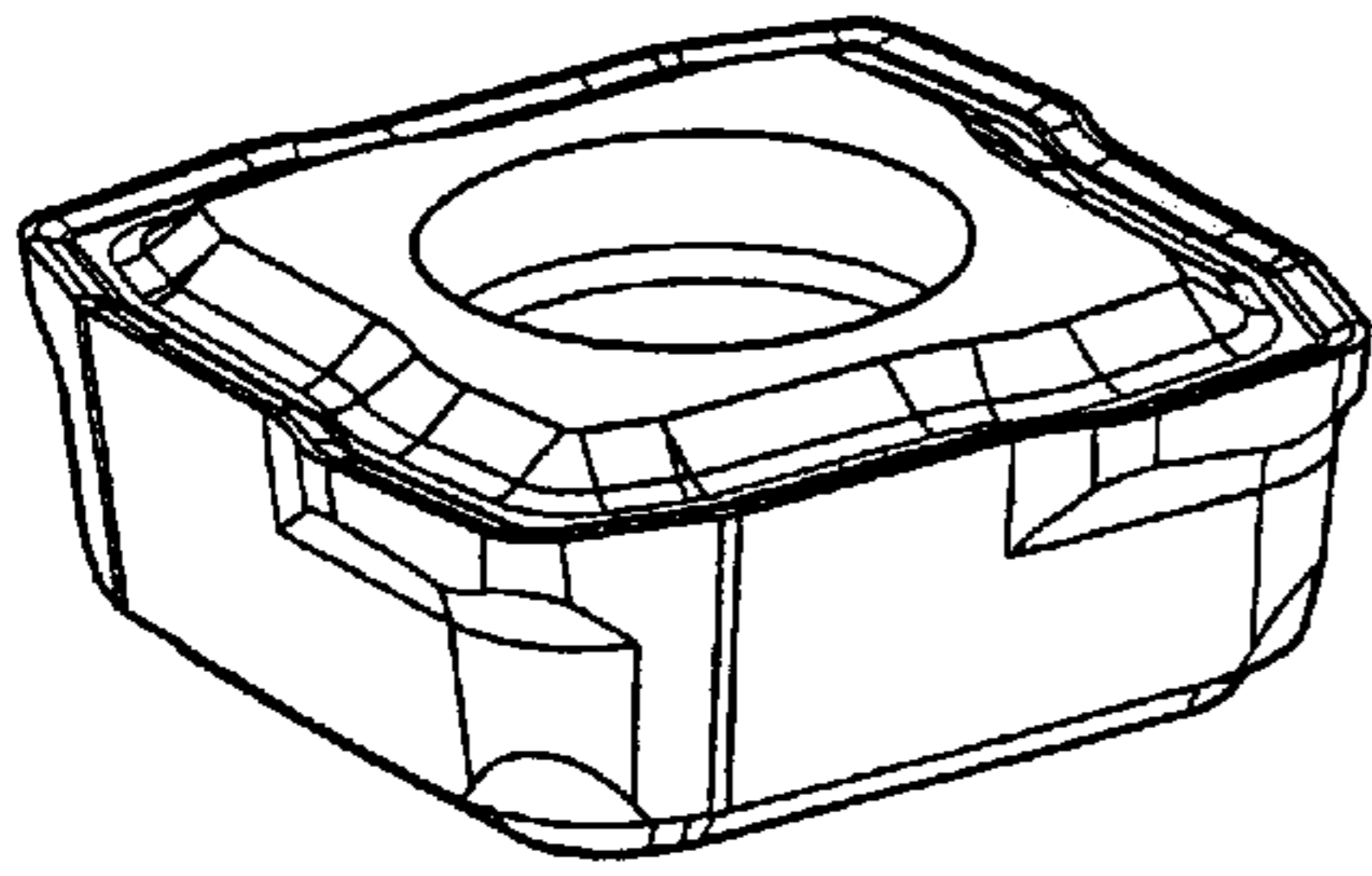


FIG. 1

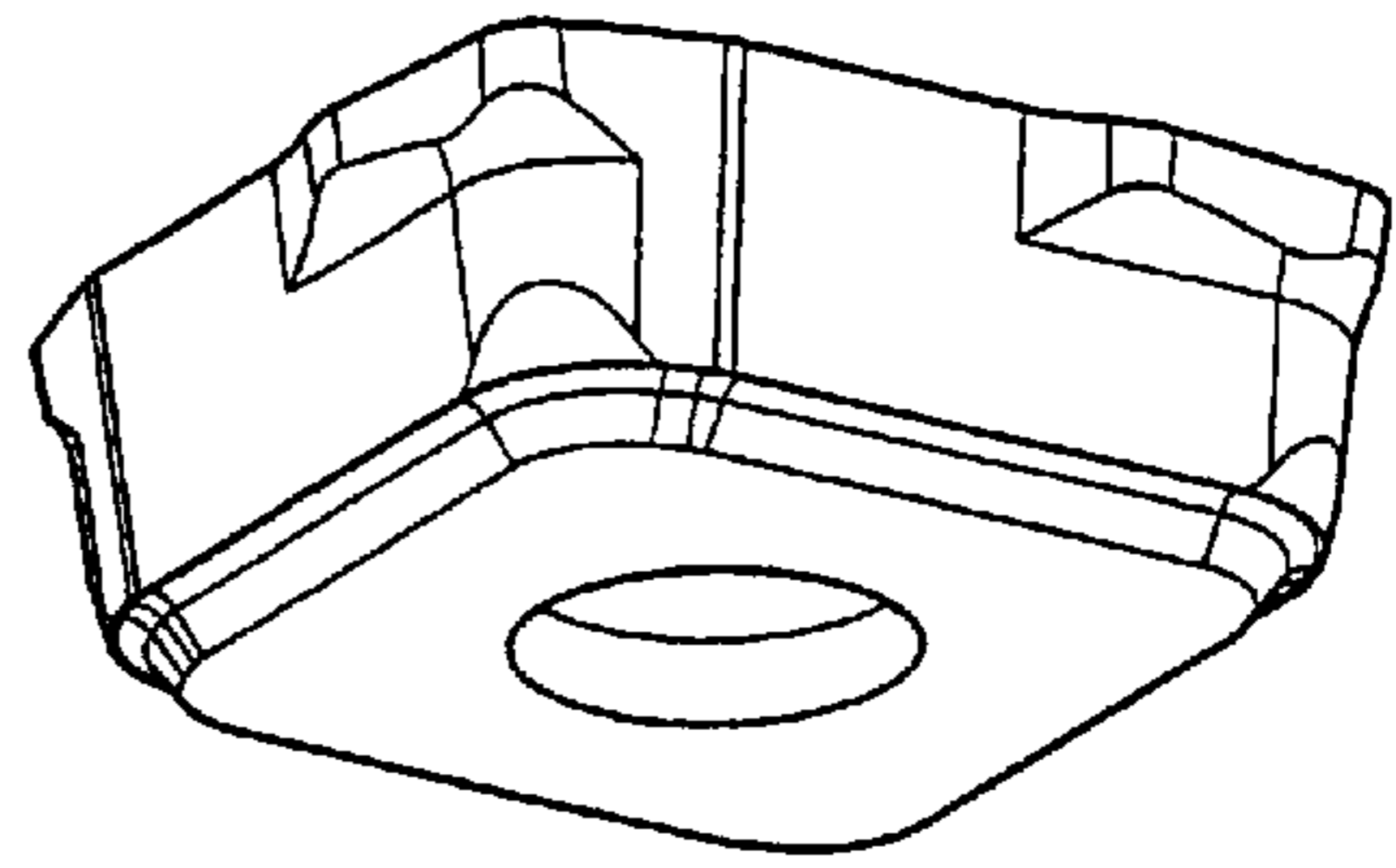


FIG. 2

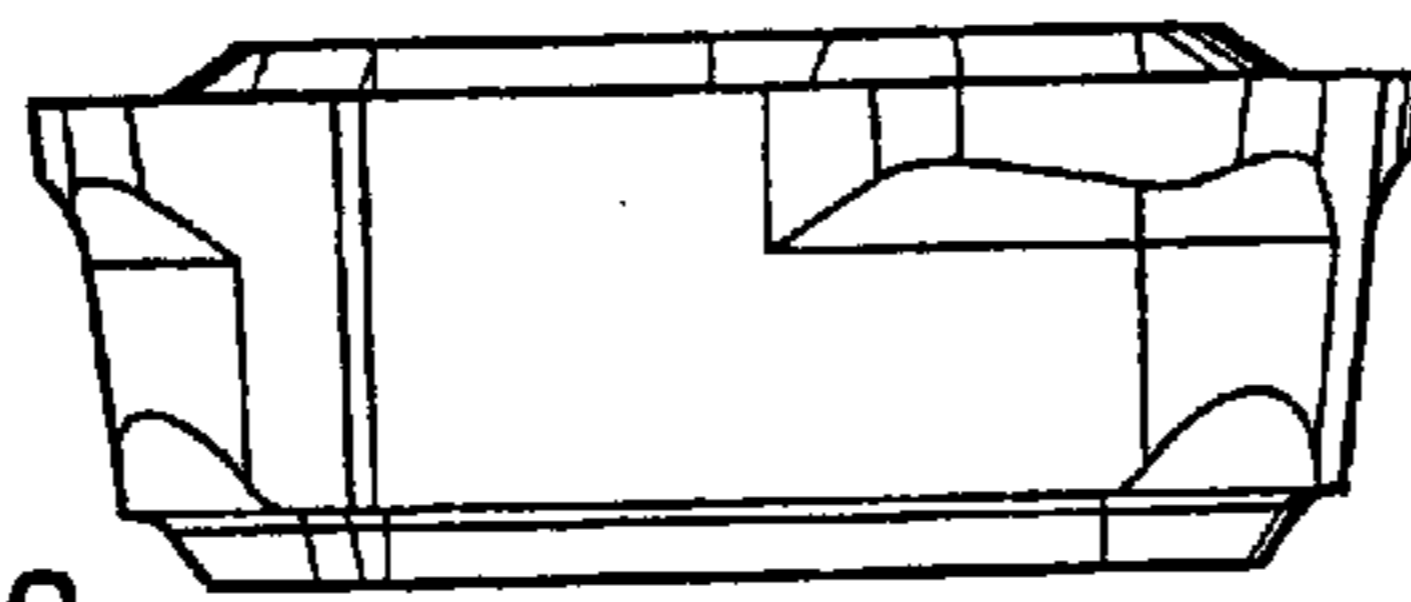


FIG. 3

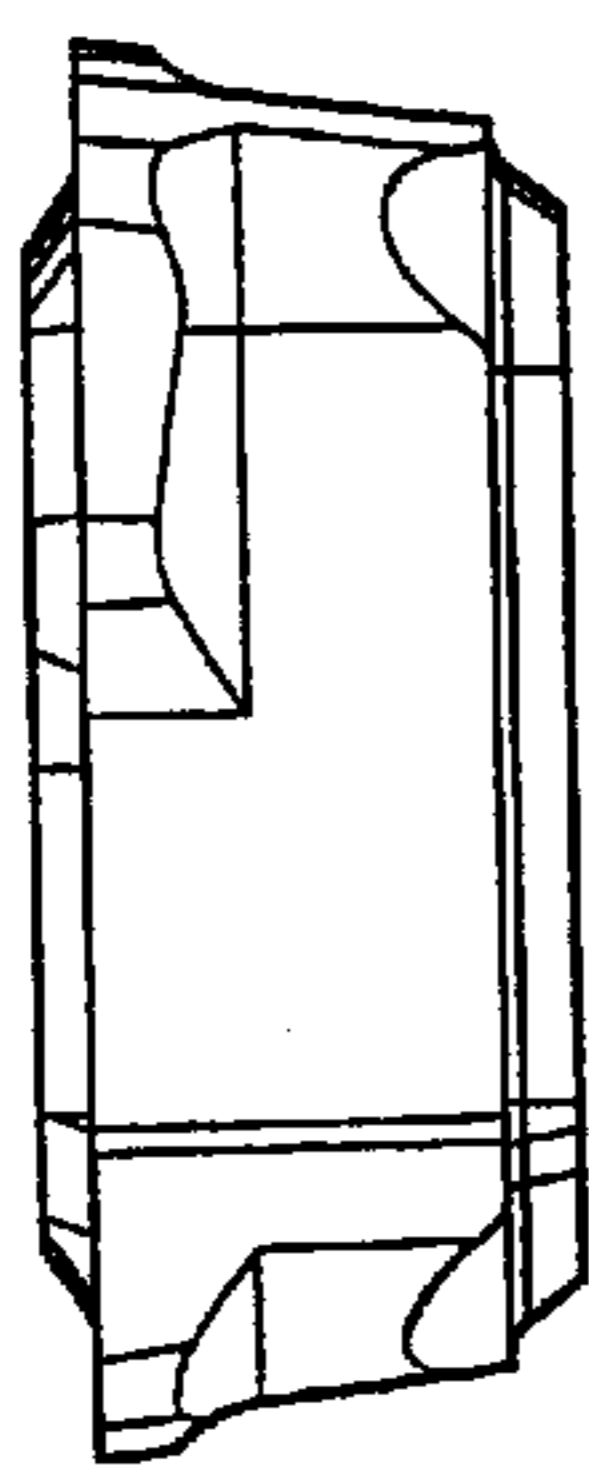


FIG. 4

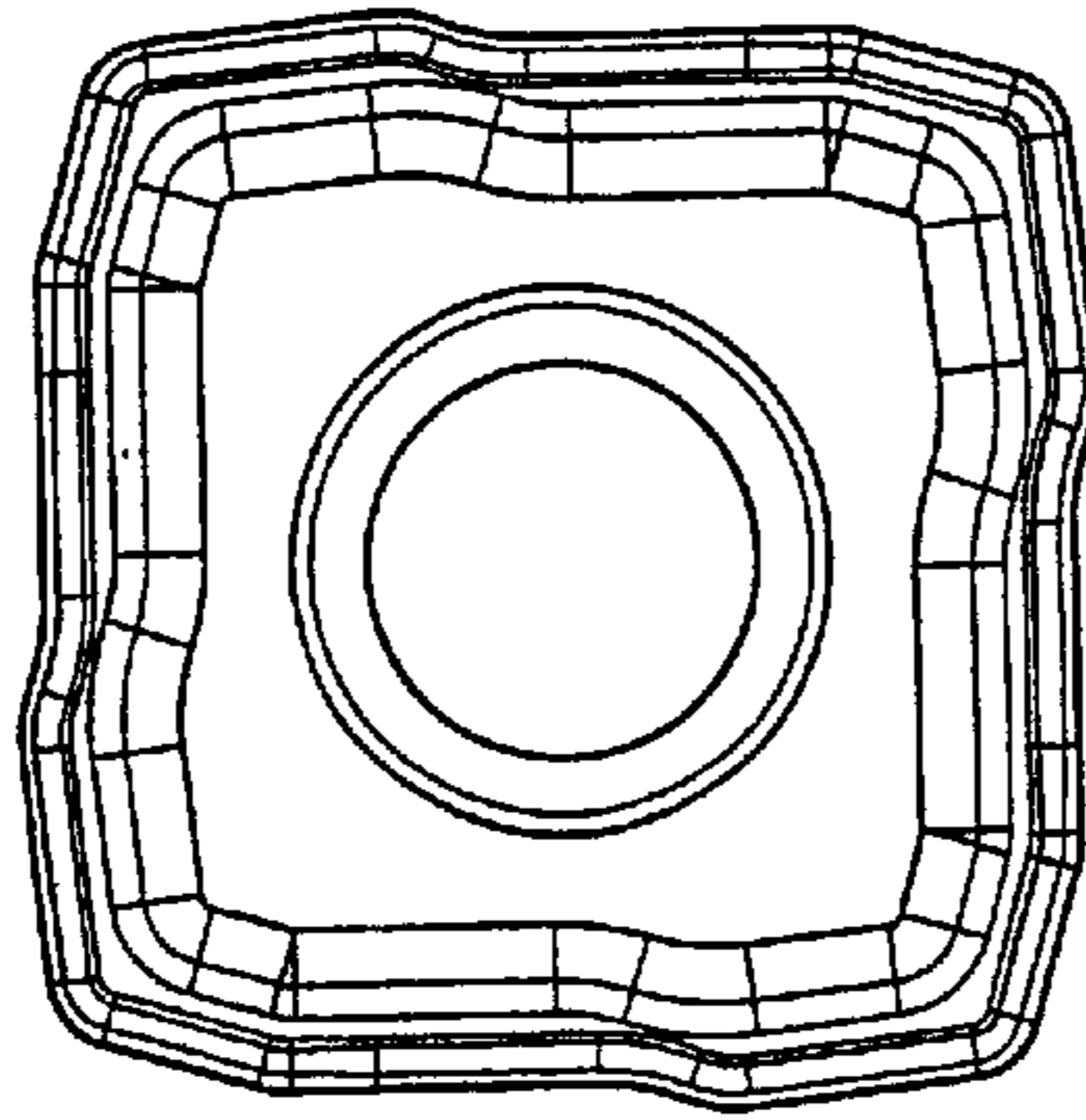


FIG. 7

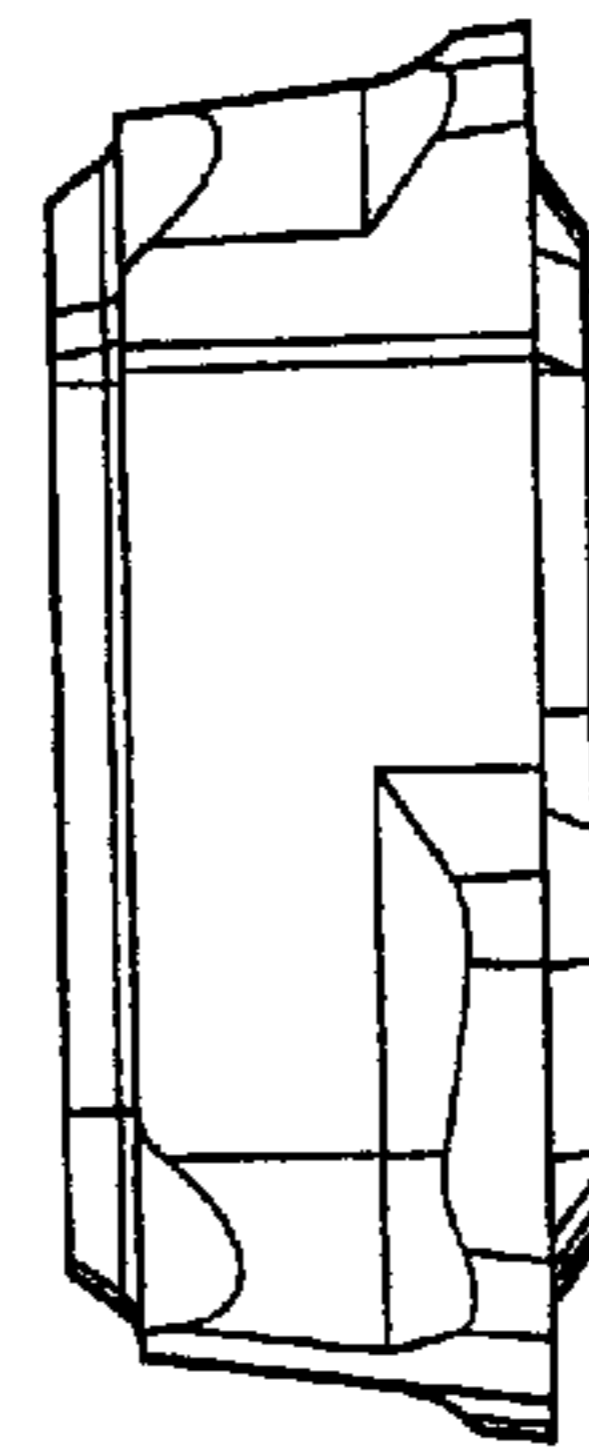


FIG. 6

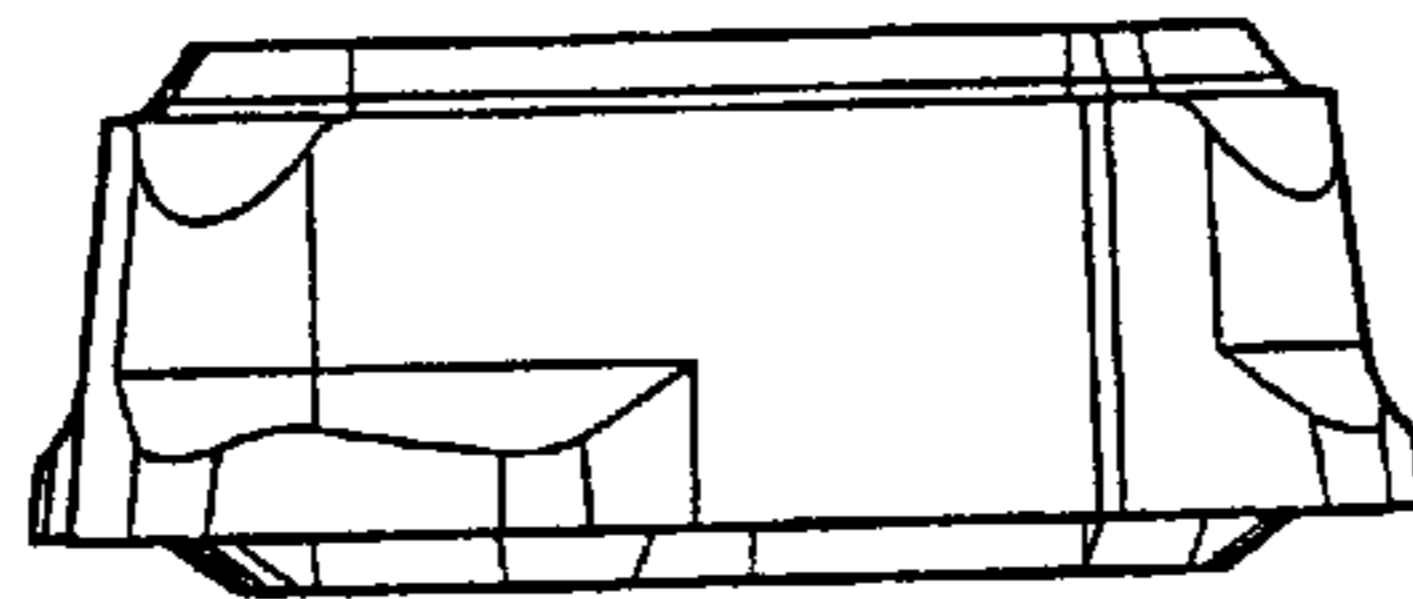


FIG. 5

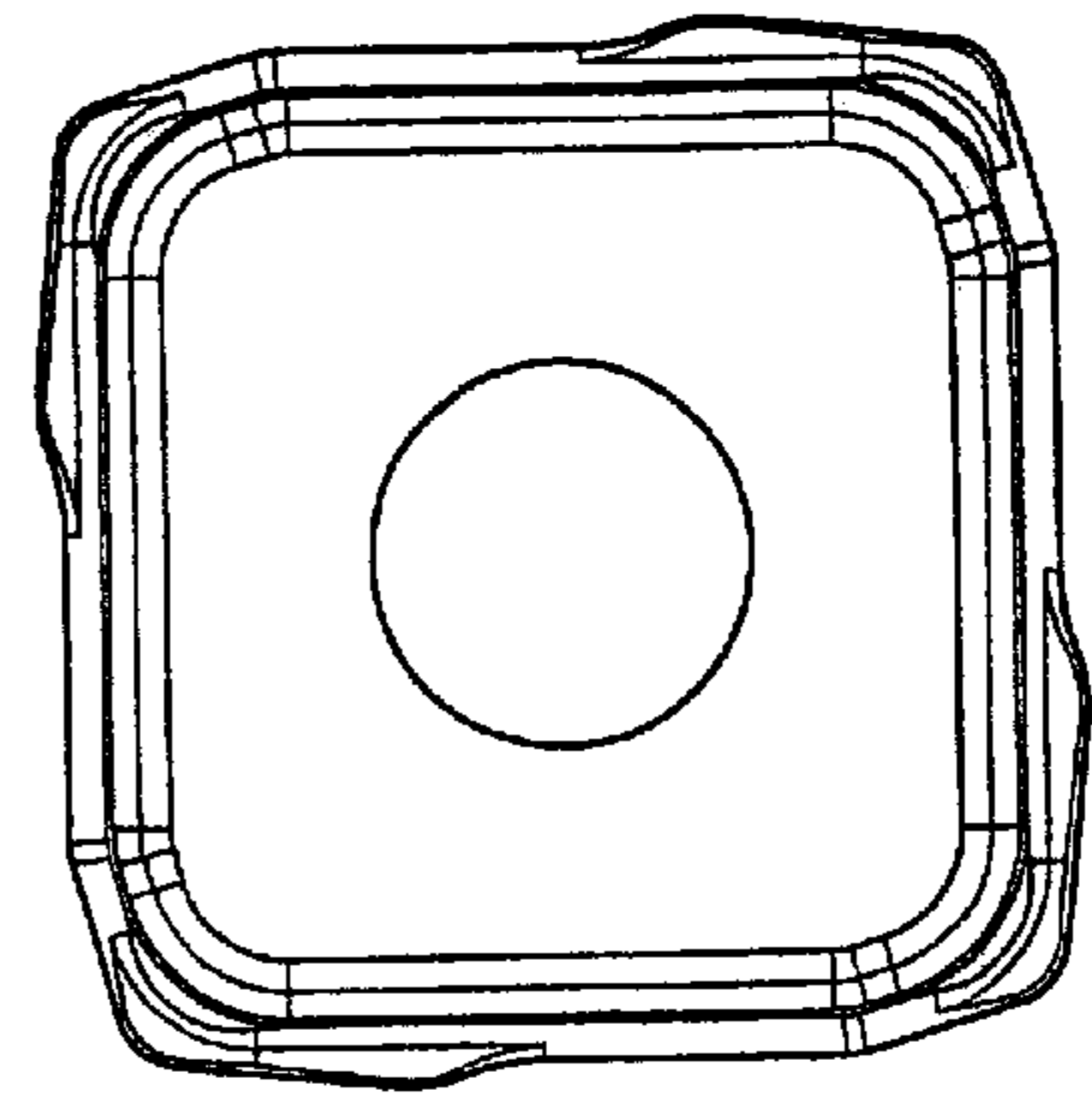


FIG. 8