



US00D487280S

(12) **United States Design Patent**  
**Hon et al.**

(10) **Patent No.:** **US D487,280 S**

(45) **Date of Patent:** **\*\* Mar. 2, 2004**

(54) **MITER SAW**

(75) Inventors: **Tsang Lap Hon**, Tuen Mun (HK);  
**Daniel Alex Chunn**, Kowloon (HK)

(73) Assignee: **One World Technologies, Limited**,  
Hamilton (BM)

(\*\*) Term: **14 Years**

(21) Appl. No.: **29/181,087**

(22) Filed: **May 5, 2003**

(51) **LOC (7) Cl.** ..... **15-09**

(52) **U.S. Cl.** ..... **D15/133**

(58) **Field of Search** ..... D15/133, 127;  
83/471.1, 471.3, 477, 581

(56) **References Cited**

**U.S. PATENT DOCUMENTS**

- D352,948 S \* 11/1994 Chang ..... D15/133
- D383,765 S \* 9/1997 Kani et al. .... D15/133
- 5,778,747 A \* 7/1998 Chen ..... 83/471.3

- 5,865,079 A \* 2/1999 Itzov ..... 83/471.3
- D420,370 S \* 2/2000 Shibata et al. .... D15/133

\* cited by examiner

*Primary Examiner*—Brian N. Vinson

(74) *Attorney, Agent, or Firm*—Andrew Y. Pang; Nexsen  
Pruet Jacobs & Pollard, LLC

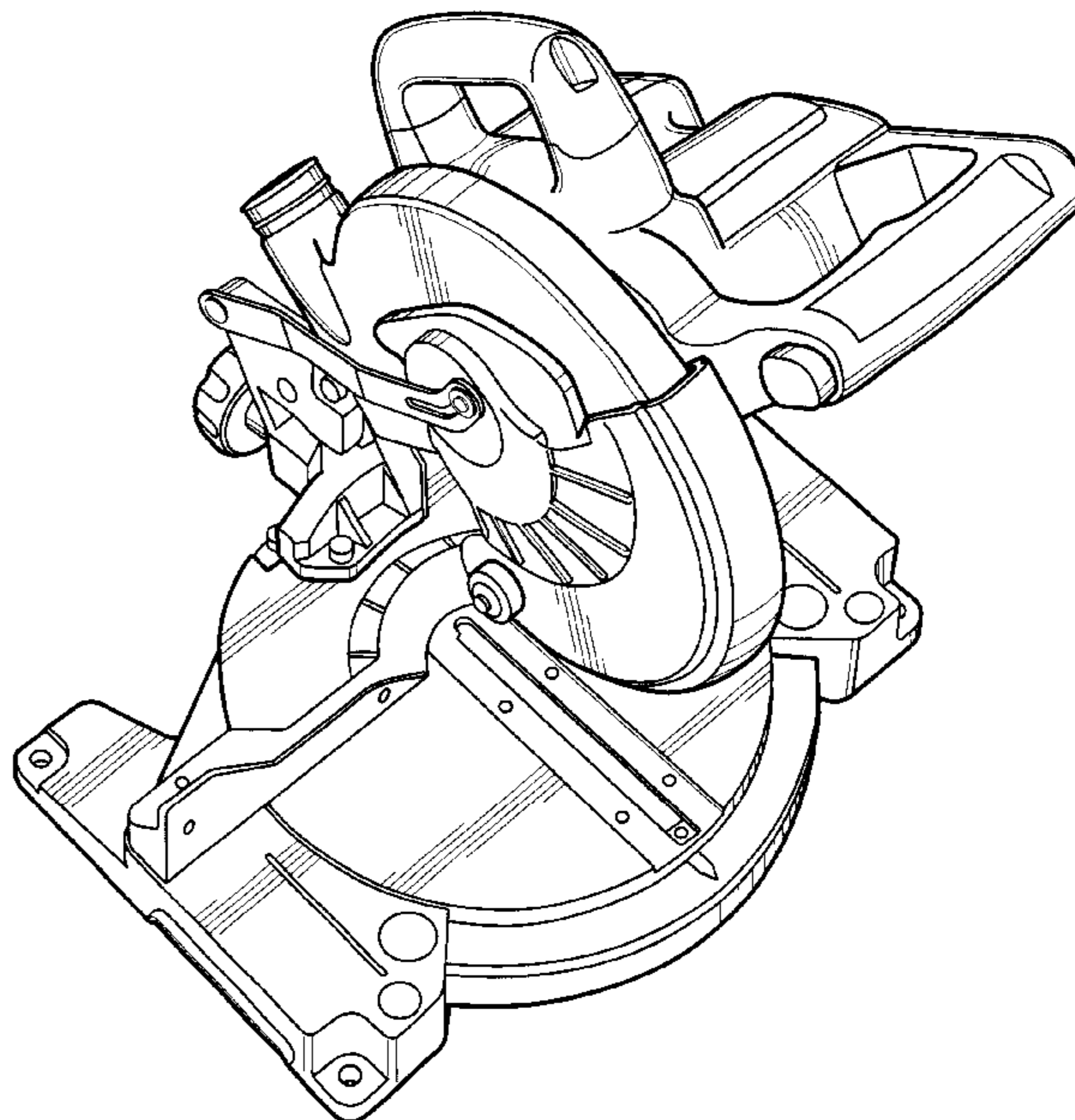
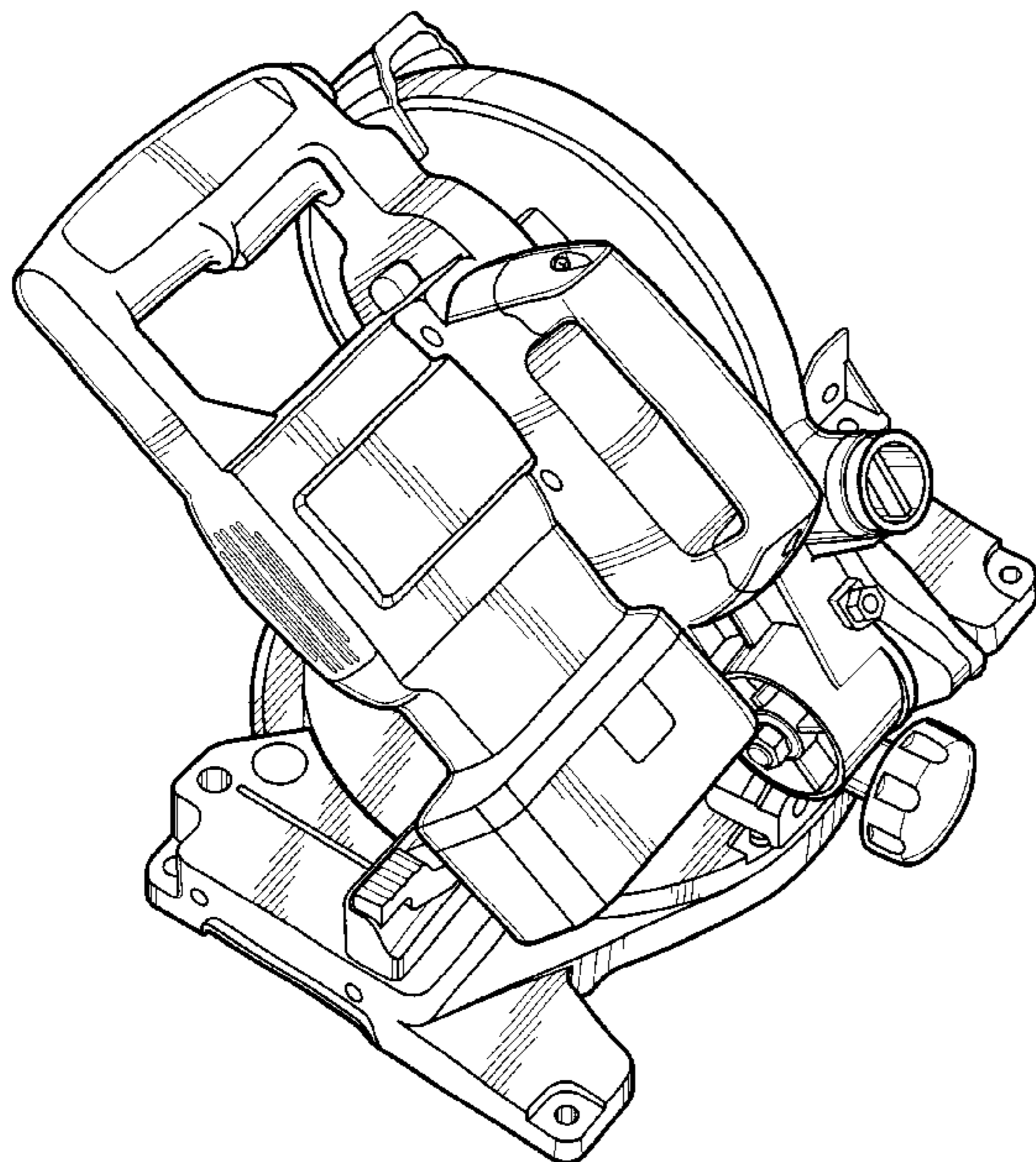
(57) **CLAIM**

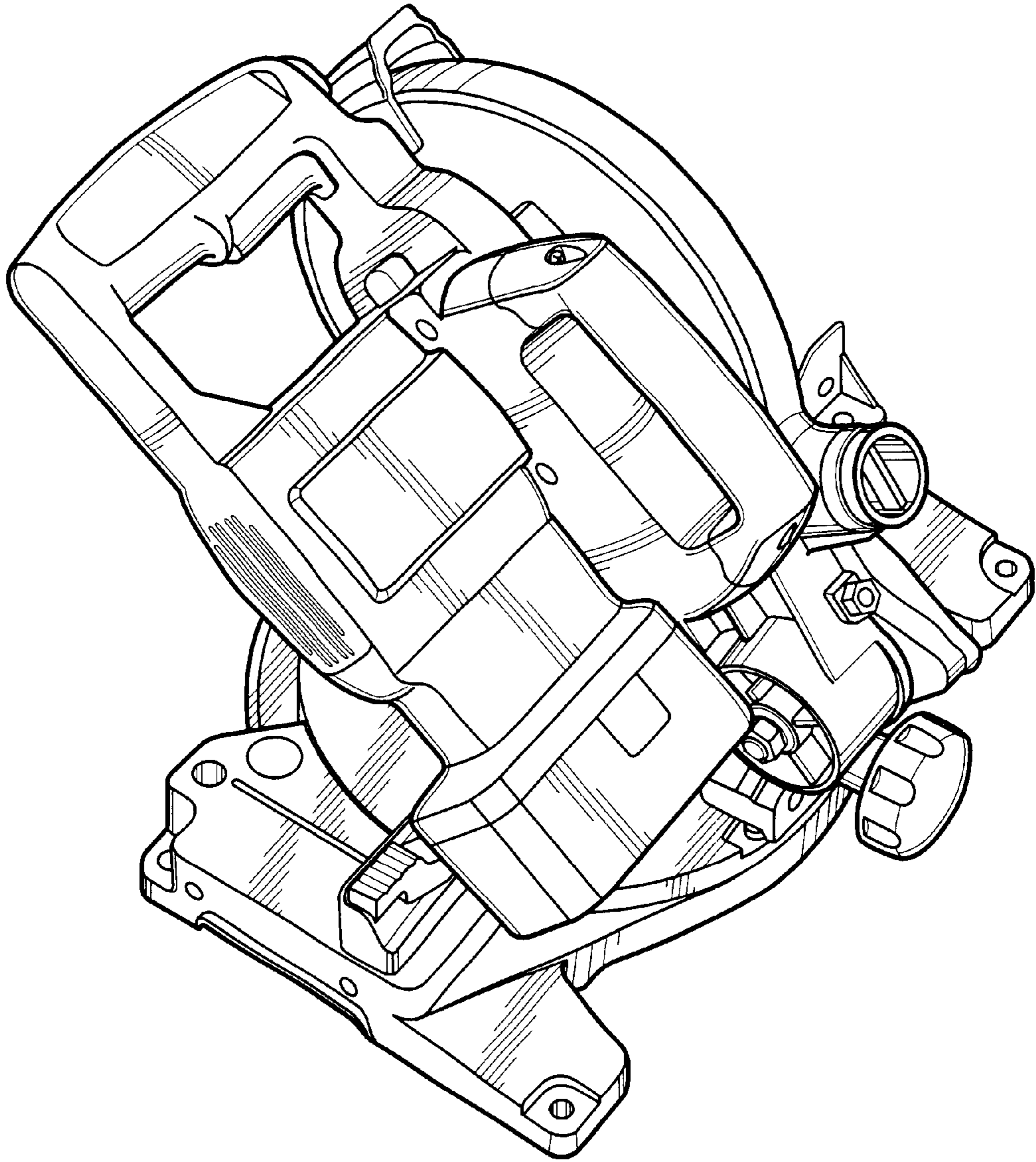
The ornamental design for a miter saw, as shown and described.

**DESCRIPTION**

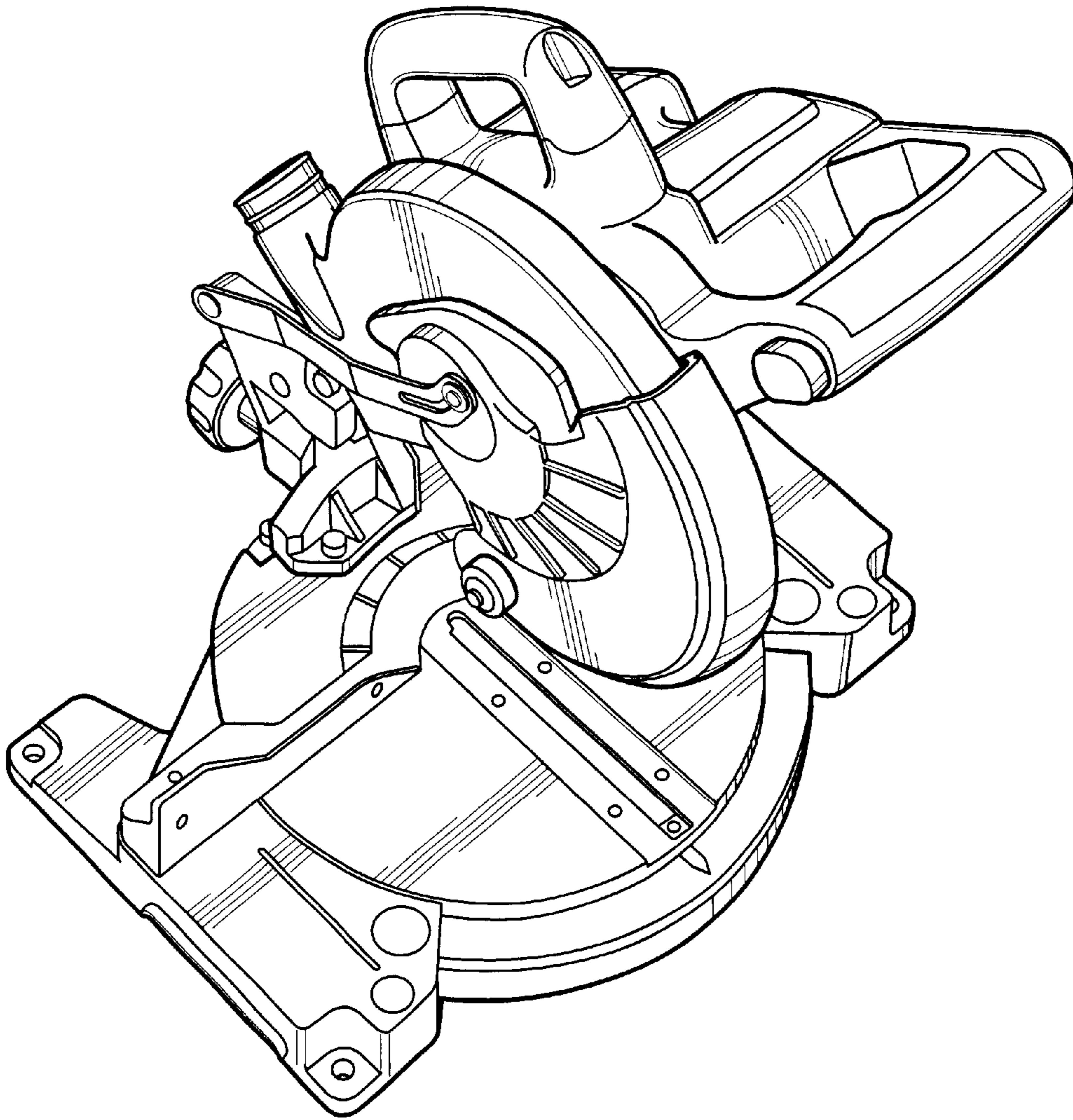
FIG. 1 is a top rear perspective view of the miter saw of the present invention;  
 FIG. 2 is a top front perspective view thereof;  
 FIG. 3 is a rear view thereof;  
 FIG. 4 is a front view thereof;  
 FIG. 5 is a right side elevational view thereof;  
 FIG. 6 is a left side elevational view thereof;  
 FIG. 7 is a top view thereof; and,  
 FIG. 8 is a bottom view thereof.

**1 Claim, 5 Drawing Sheets**

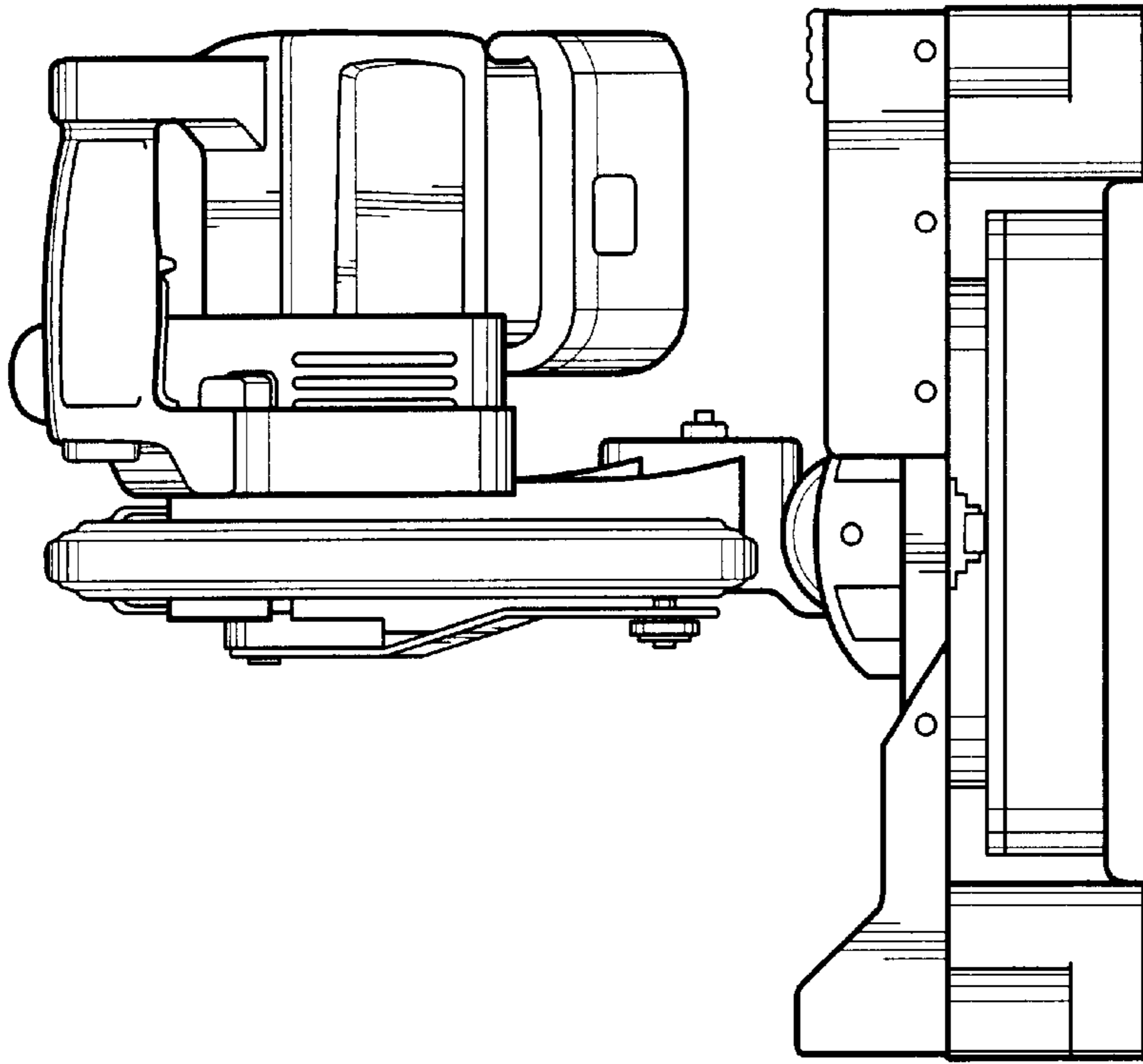




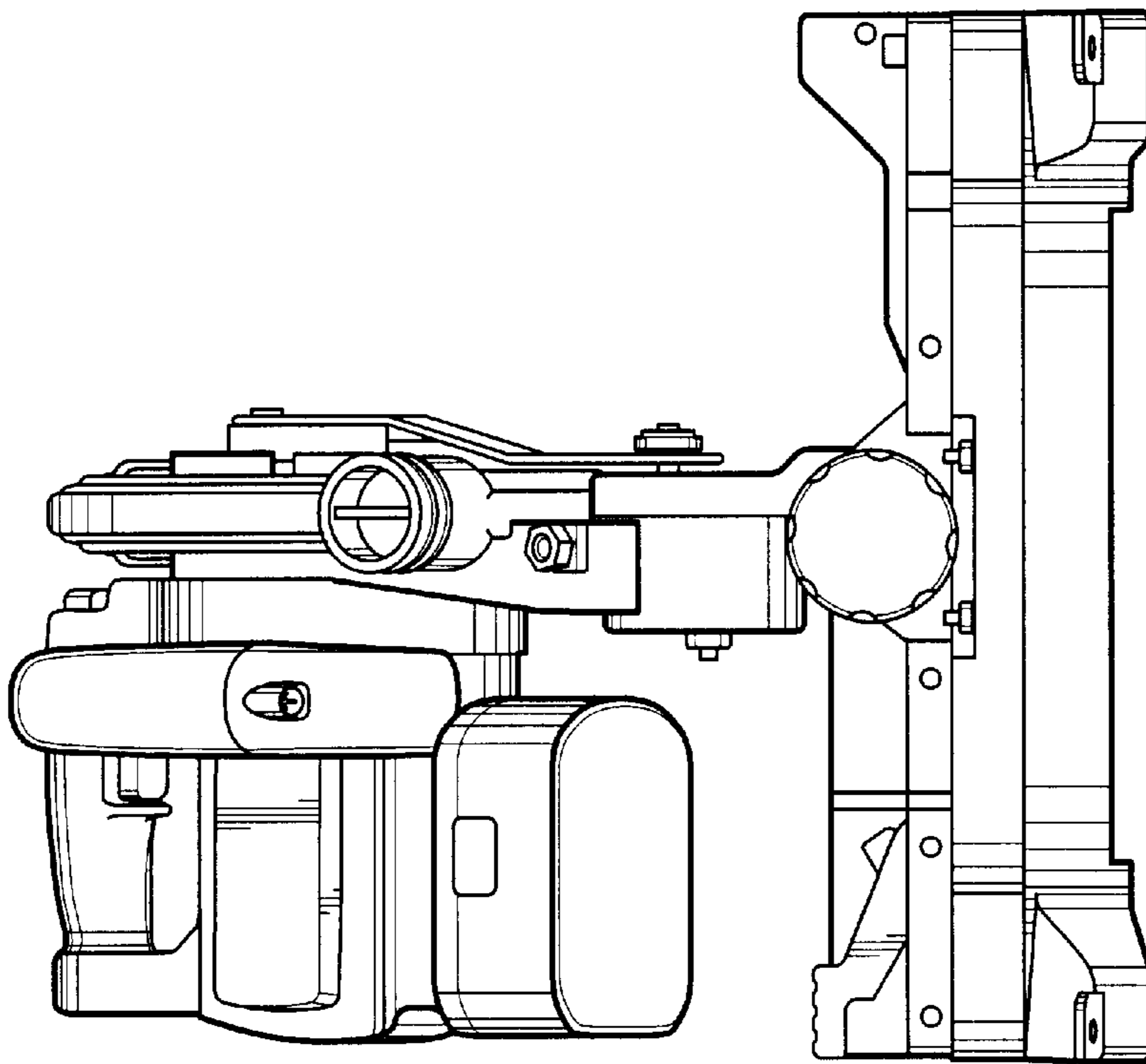
**FIG. 1**



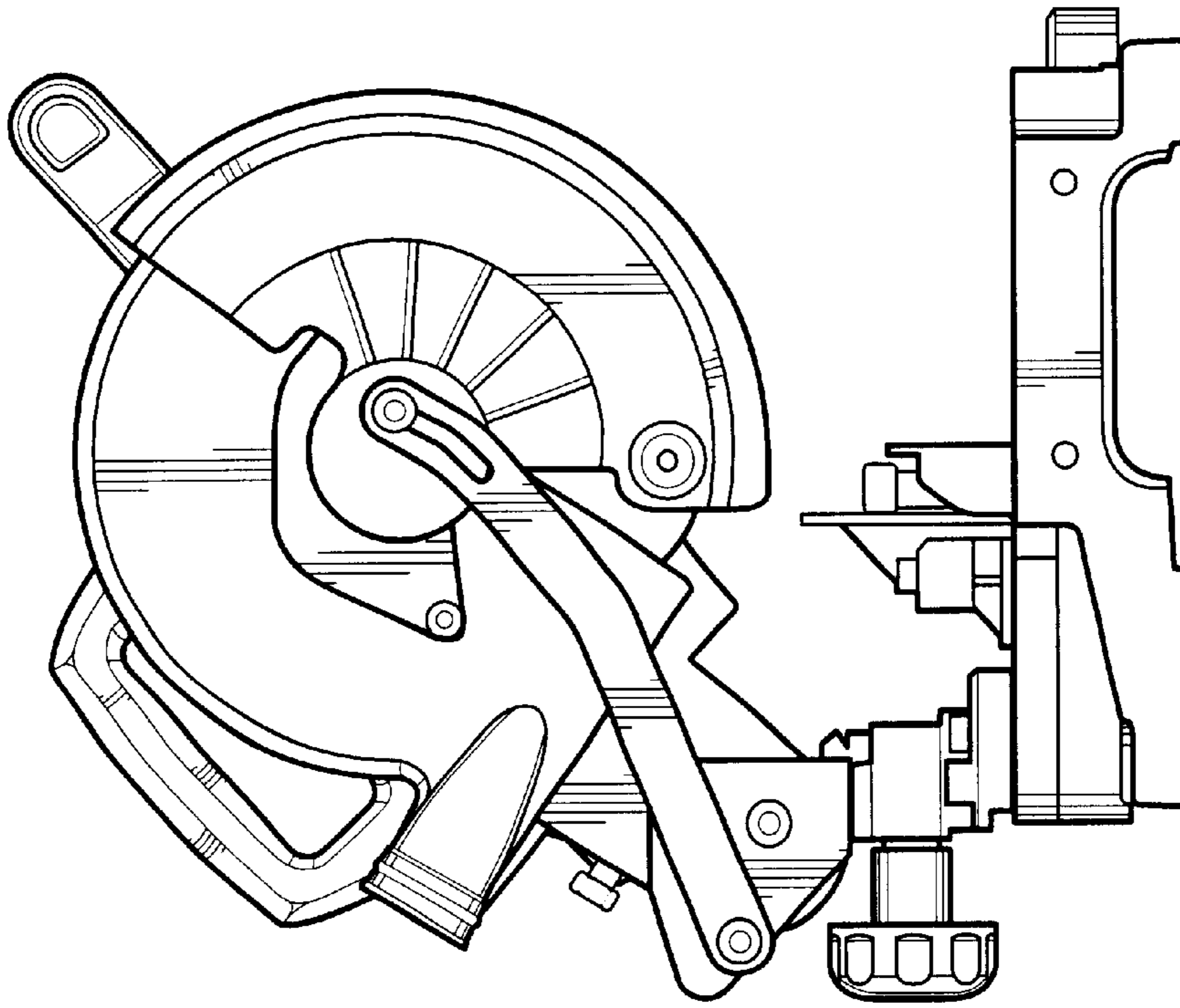
**FIG. 2**



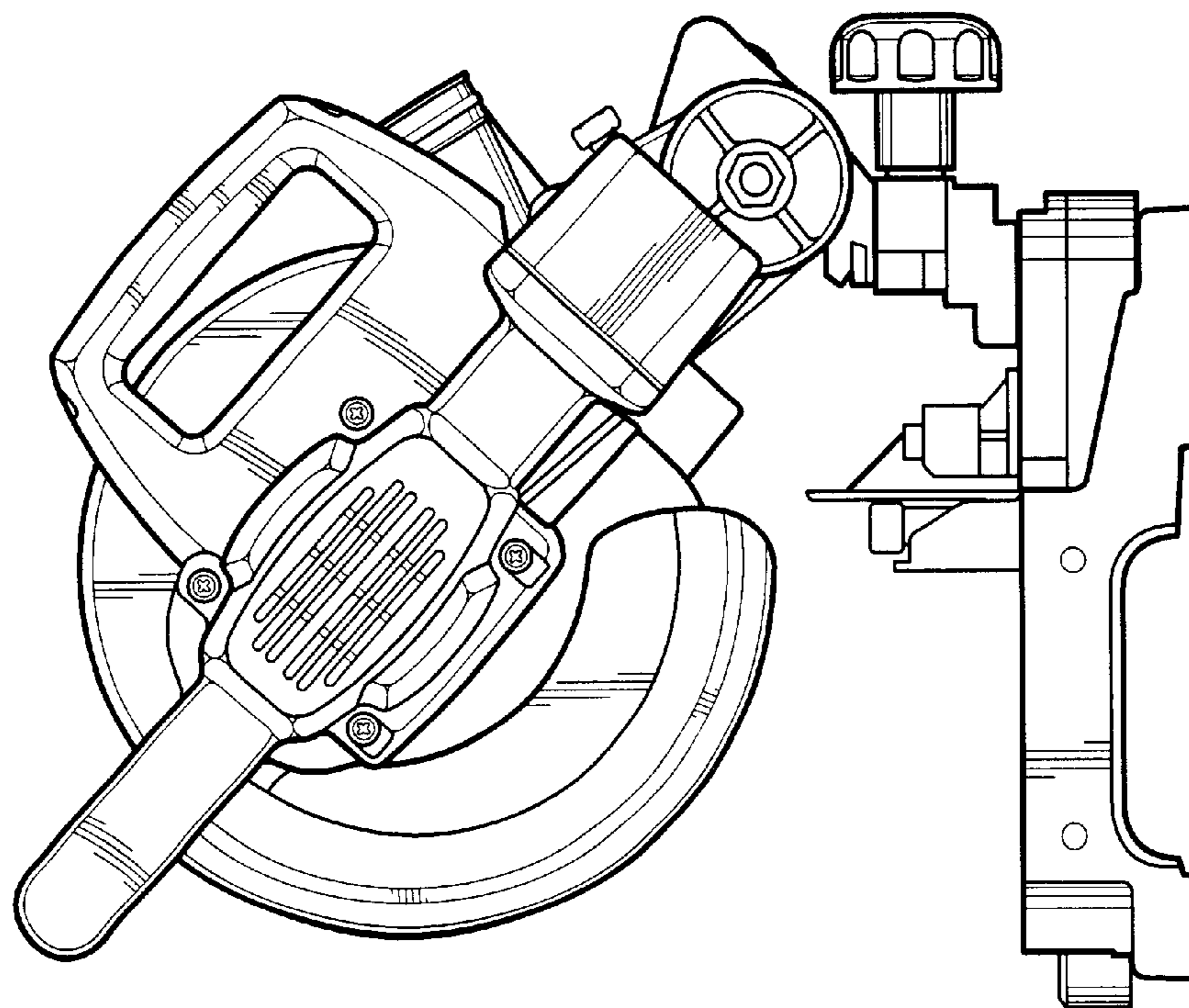
**FIG. 4**



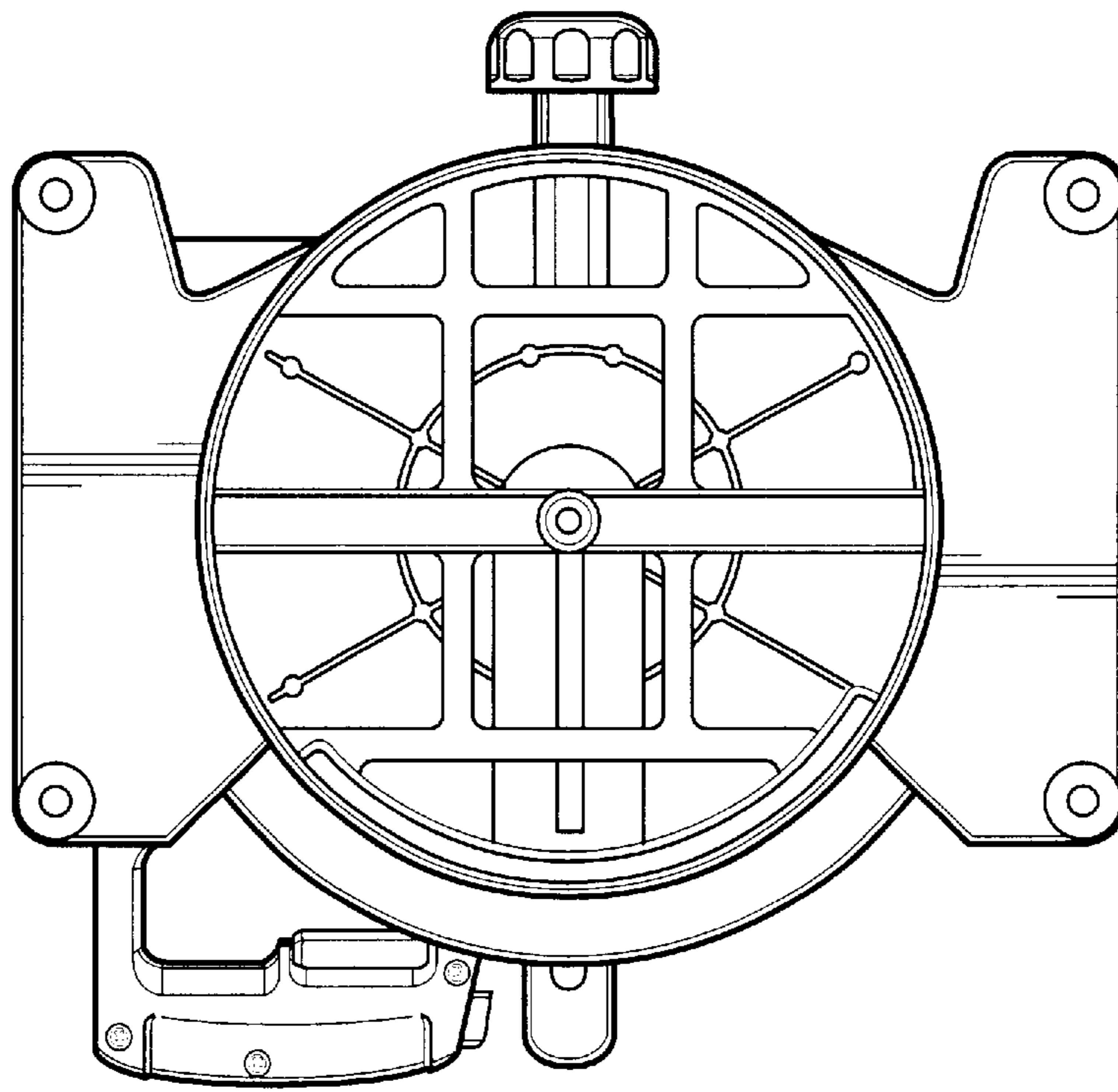
**FIG. 3**



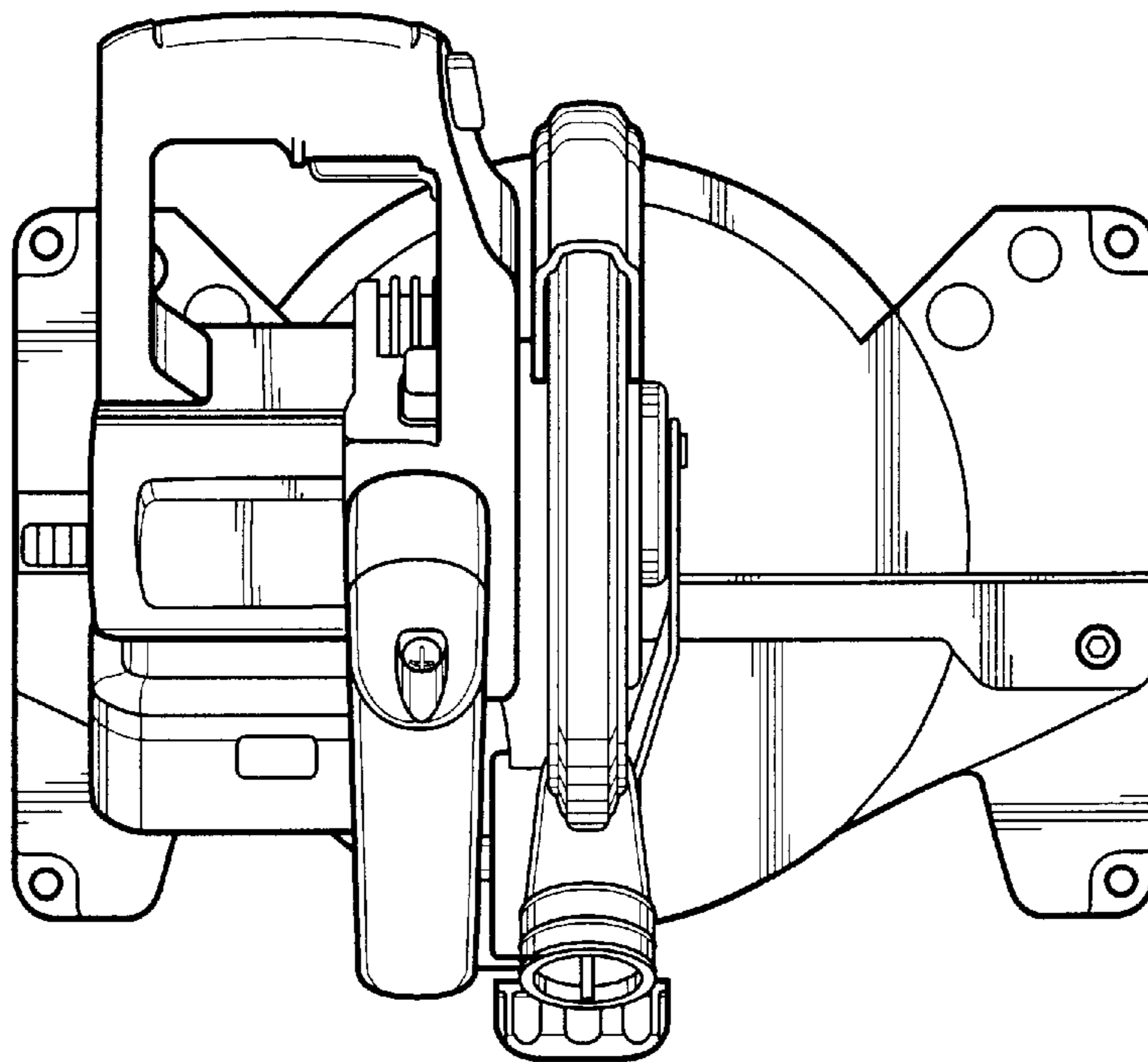
**FIG. 6**



**FIG. 5**



**FIG. 7**



**FIG. 8**