



US00D487276S

(12) **United States Design Patent**  
**Cobigo**

(10) **Patent No.:** **US D487,276 S**

(45) **Date of Patent:** **\*\* Mar. 2, 2004**

(54) **SOUND TRANSMITTING DEVICE**

(75) **Inventor:** **Stephanie Cobigo**, Eindhoven (NL)

(73) **Assignee:** **Koninklijke Philips Electronics N.V.**,  
Eindhoven (NL)

(\*\*) **Term:** **14 Years**

(21) **Appl. No.:** **29/177,608**

(22) **Filed:** **Mar. 12, 2003**

(30) **Foreign Application Priority Data**

Oct. 2, 2002 (WO) ..... DMA/055 858

(51) **LOC (7) Cl.** ..... **14-03**

(52) **U.S. Cl.** ..... **D14/496; D10/104**

(58) **Field of Search** ..... D14/496, 154,  
D14/158, 217, 356, 299, 358, 168; 181/148;  
352/1, 3, 5, 12, 34, 38, 244, 242; 369/83,  
63; 386/4, 52, 54, 56, 86; D10/104

(56) **References Cited**

**U.S. PATENT DOCUMENTS**

2,025,366 A \* 12/1935 Mihaly ..... 352/34  
2,051,661 A \* 8/1936 Weber ..... 352/34  
3,093,709 A \* 6/1963 Yashushi et al. .... 360/17

D214,381 S \* 6/1969 Rin ..... D14/496  
4,800,135 A \* 1/1989 Kilbane et al. .... 428/653  
D424,560 S \* 5/2000 Heath ..... D14/159  
D424,561 S \* 5/2000 Heath ..... D14/159  
D430,052 S \* 8/2000 Nowak ..... D10/104  
D430,546 S \* 9/2000 Gibson ..... D14/159  
D440,511 S \* 4/2001 Heath ..... D10/104  
D440,899 S \* 4/2001 Heath ..... D10/104

\* cited by examiner

*Primary Examiner*—Prabhakar Deshmukh

(74) *Attorney, Agent, or Firm*—Ernestine C. Bartlett

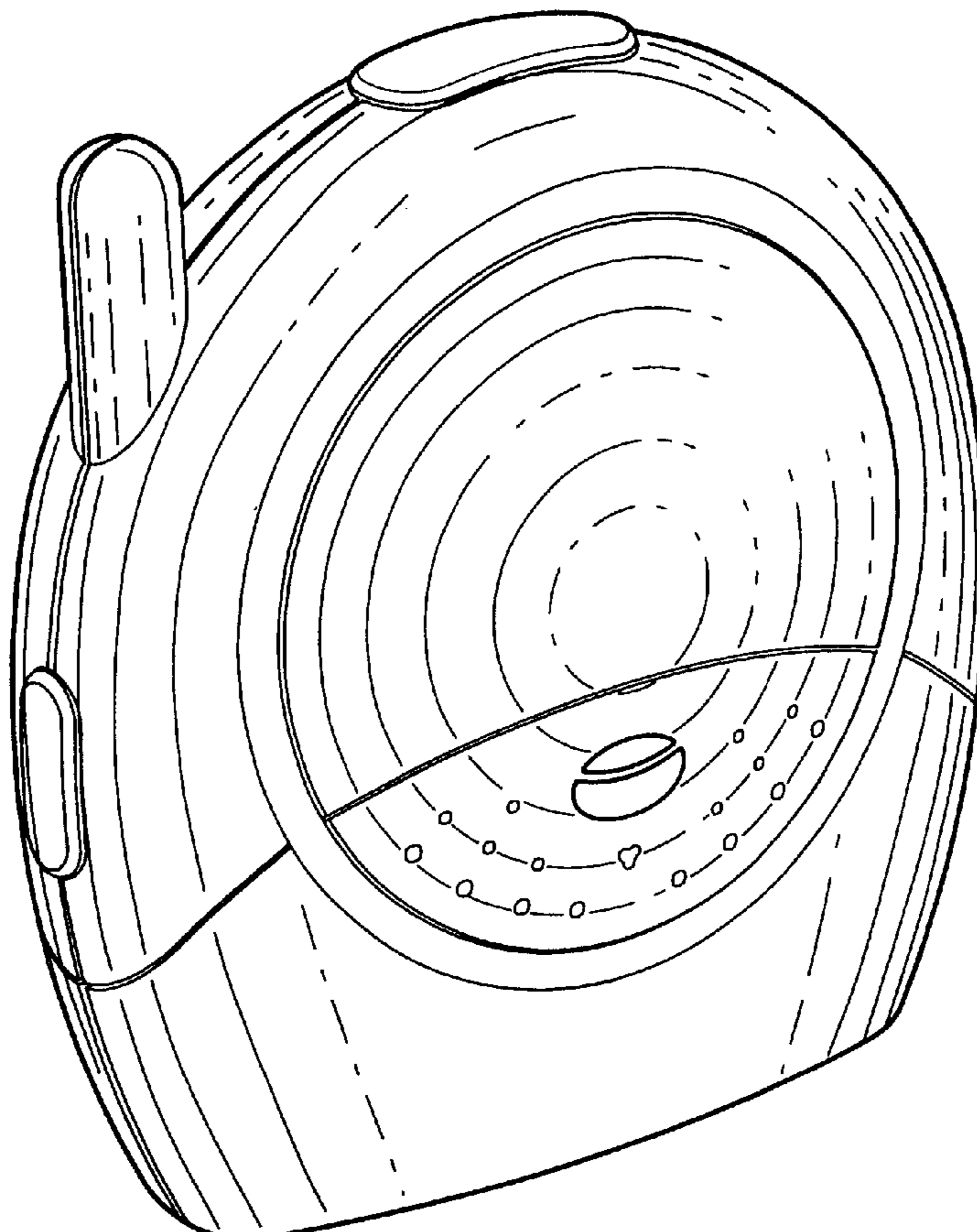
(57) **CLAIM**

The ornamental design for a sound transmitting device, as shown.

**DESCRIPTION**

FIG. 1 is a perspective view showing my design;  
FIG. 2 is a front elevational view thereof;  
FIG. 3 is a rear elevational view thereof;  
FIG. 4 is a left side elevational view thereof;  
FIG. 5 is a right side elevational view thereof;  
FIG. 6 is a top plan view thereof; and,  
FIG. 7 is a bottom plan view thereof.

**1 Claim, 4 Drawing Sheets**



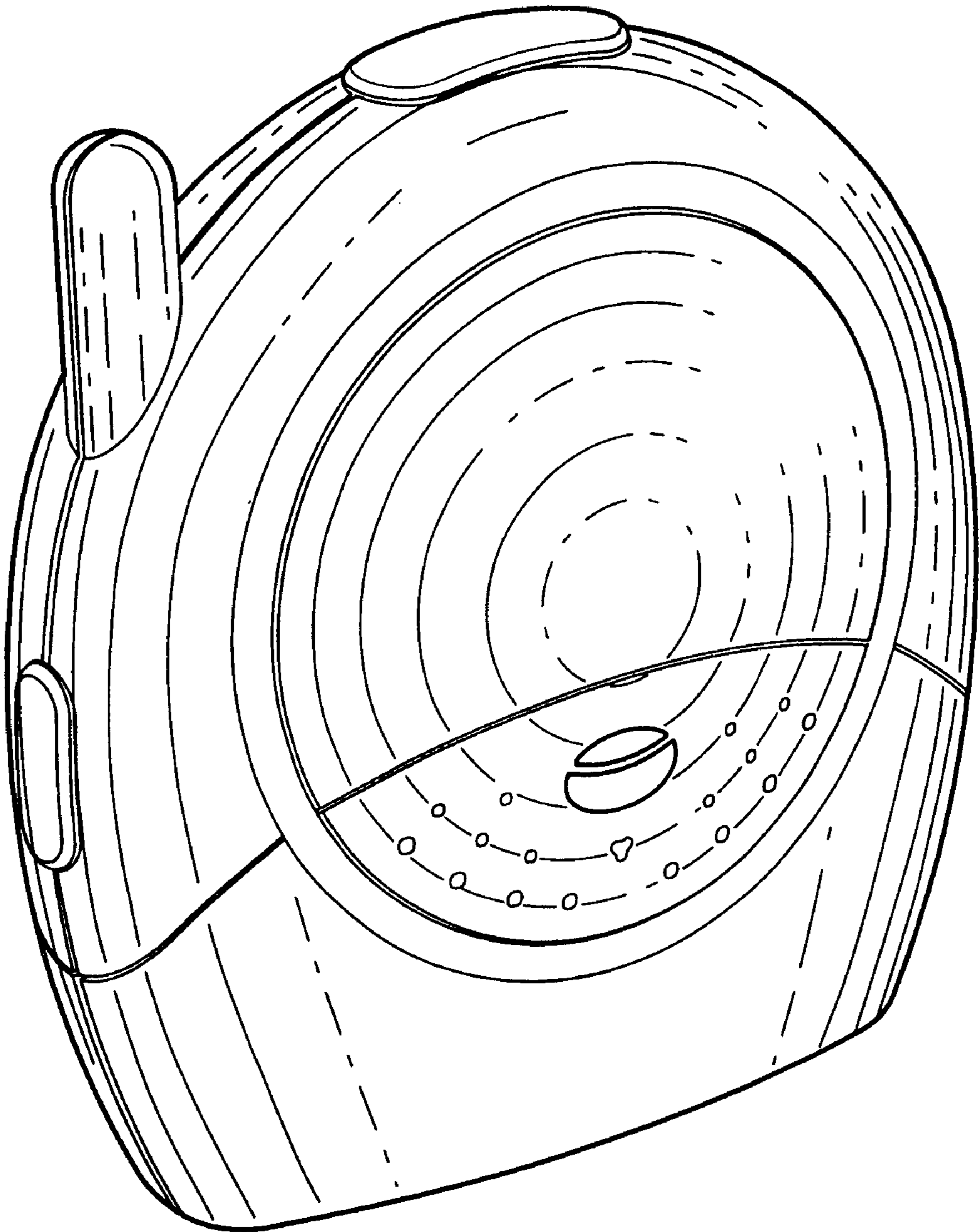


FIG. 1

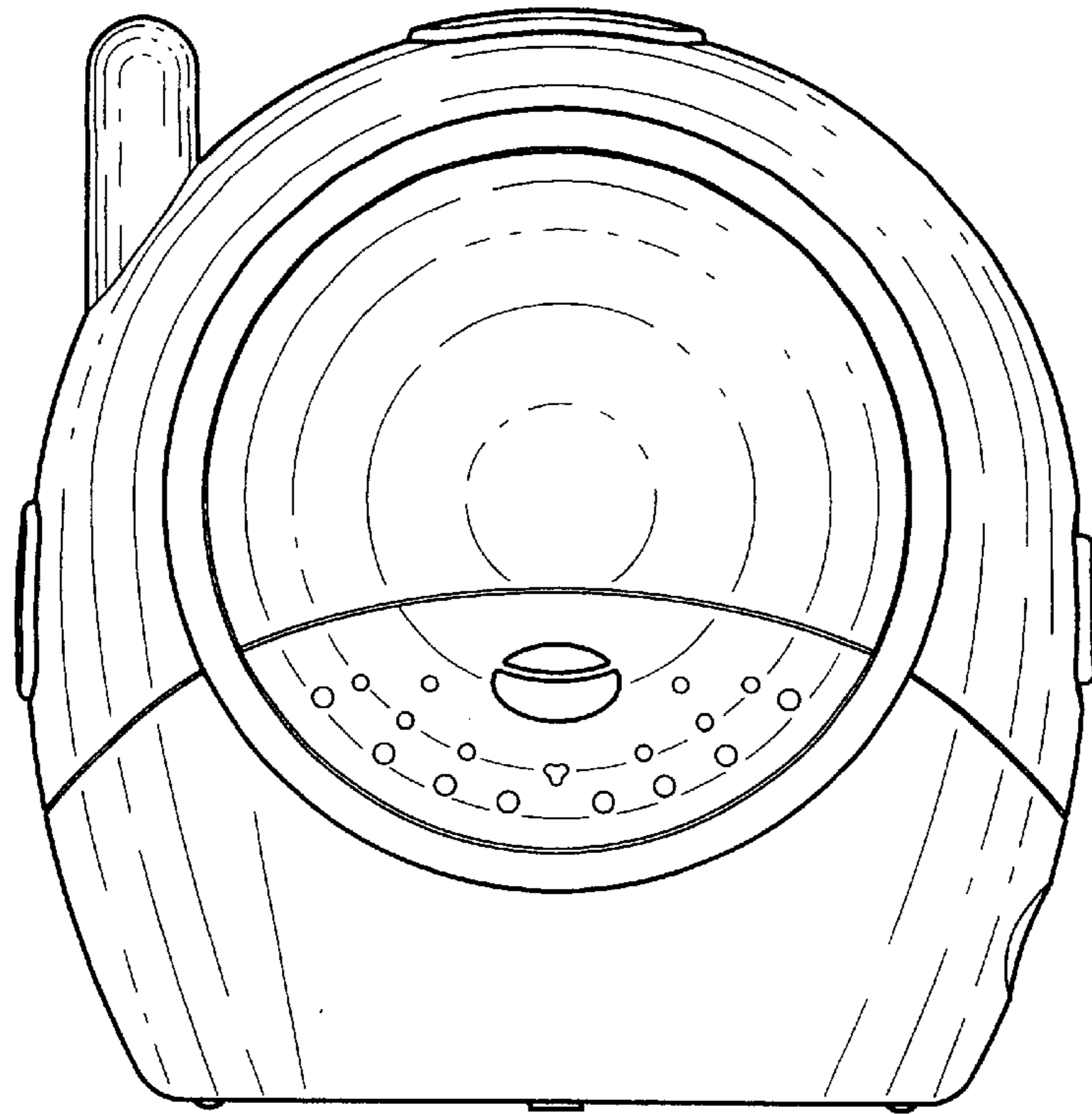


FIG. 2

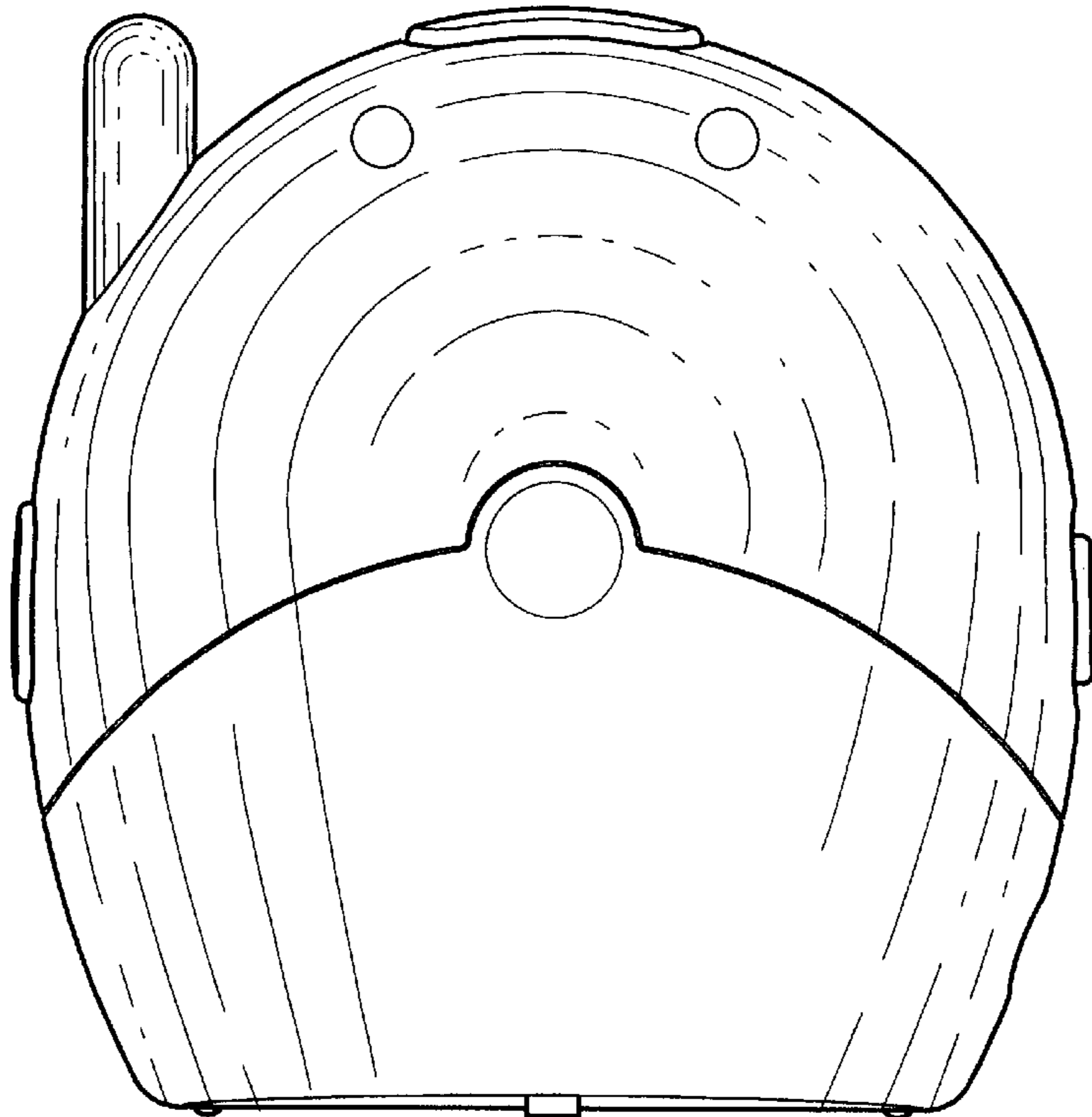


FIG. 3



FIG.4

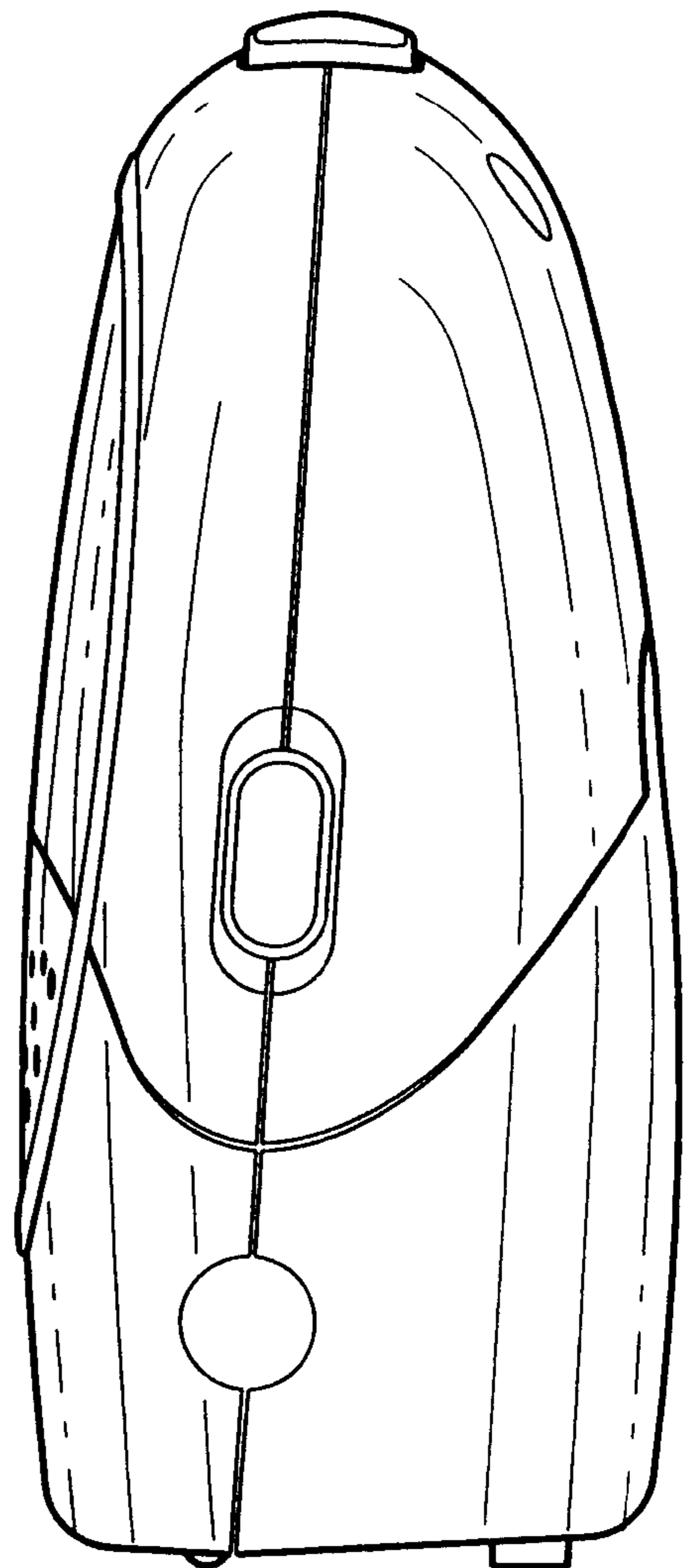


FIG.5

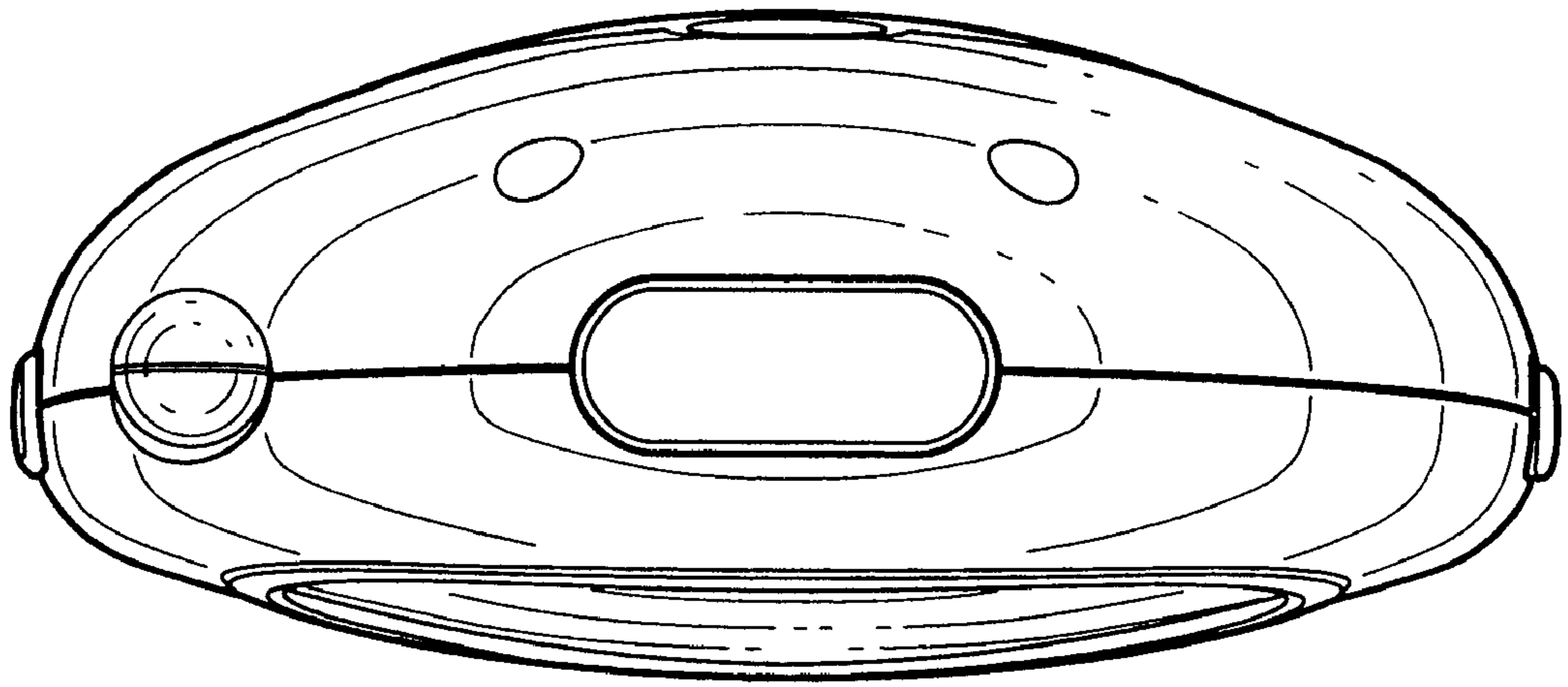


FIG. 6

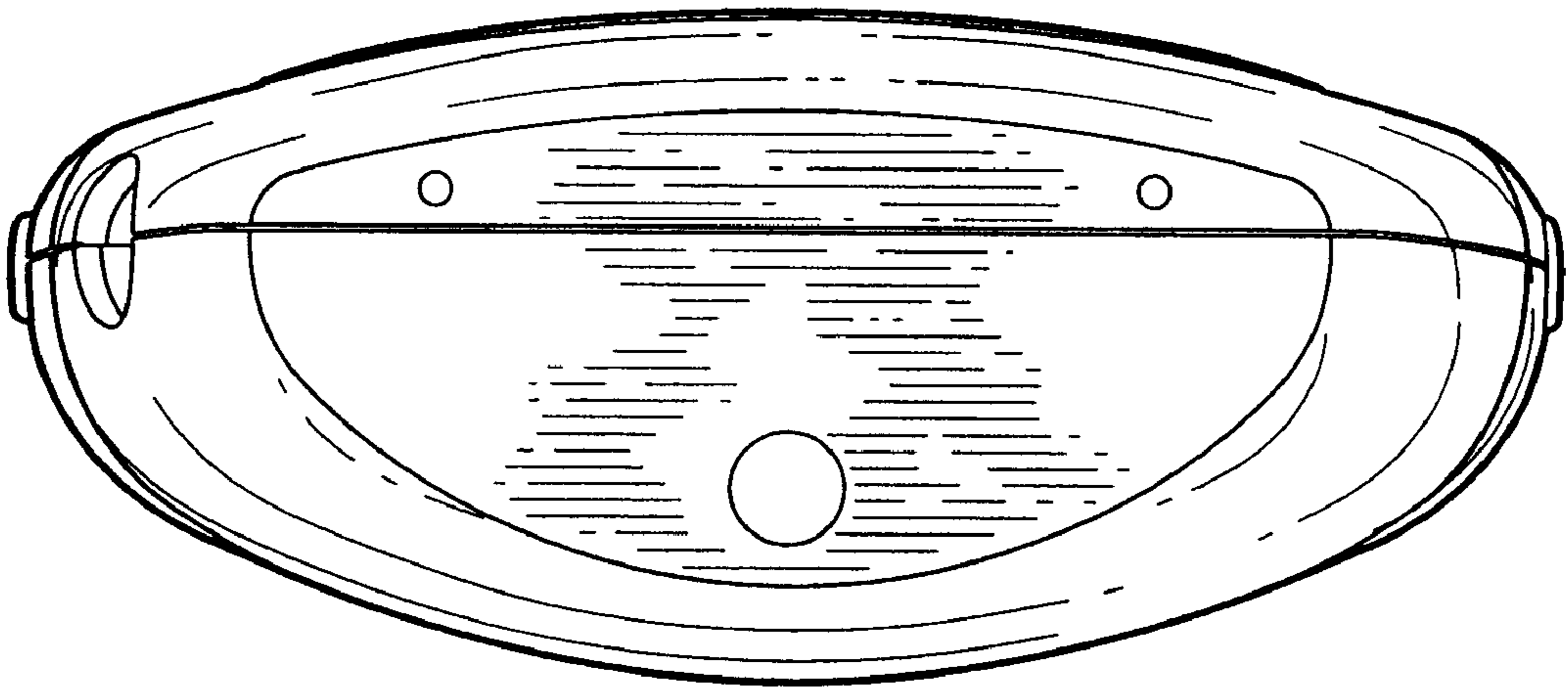


FIG. 7