



US00D487274S

(12) **United States Design Patent**
Nakamura

(10) **Patent No.:** **US D487,274 S**

(45) **Date of Patent:** **** Mar. 2, 2004**

(54) **ADAPTER FOR RECORDING MEDIA**

6,238,291 B1 * 5/2001 Fujimoto et al. 273/148 B
D466,130 S * 11/2002 Hussaini et al. D14/496
D467,539 S 12/2002 Kataoka

(75) Inventor: **Toshihiro Nakamura**, Tokyo (JP)

(73) Assignee: **Sony Corporation**, Tokyo (JP)

(**) Term: **14 Years**

OTHER PUBLICATIONS

Catalog "New Products 2001 Autumn", p. 9, Sony (Autumn/2001).

* cited by examiner

(21) Appl. No.: **29/182,936**

Primary Examiner—Prabhakar Deshmukh

(22) Filed: **Jun. 4, 2003**

(74) *Attorney, Agent, or Firm*—Rader, Fishman & Grauer PLLC

(51) **LOC (7) Cl.** **14-99**

(52) **U.S. Cl.** **D14/483; D21/333**

(58) **Field of Search** D14/496, 474-483,
D14/167, 168, 217; 273/148 B; 463/1,
43-47; 360/55, 61, 62, 58, 137; 369/1,
2, 11, 292; D13/107, 108

(57) **CLAIM**

The ornamental design for an adapter for recording media, as shown.

(56) **References Cited**

DESCRIPTION

U.S. PATENT DOCUMENTS

| | | | | | |
|-------------|---|---------|----------------|-------|---------|
| 4,032,983 A | * | 6/1977 | Sato | | 369/11 |
| 4,588,187 A | * | 5/1986 | Dell | | 463/47 |
| D324,244 S | * | 2/1992 | Stamper et al. | | D21/333 |
| D340,048 S | * | 10/1993 | Tseng | | D14/433 |
| D358,364 S | * | 5/1995 | Siddoway | | D13/108 |
| D372,274 S | * | 7/1996 | Douglas et al. | | D21/333 |
| 5,586,090 A | * | 12/1996 | Otte | | 369/2 |
| 6,091,672 A | * | 7/2000 | Oh | | 369/2 |

FIG. 1 is a perspective view of an adapter for recording media showing my new design;
FIG. 2 is a front elevational view thereof;
FIG. 3 is a rear elevational view thereof;
FIG. 4 is a left side elevational view thereof;
FIG. 5 is a right side elevational view thereof;
FIG. 6 is a top plan view thereof; and,
FIG. 7 is a bottom plan view thereof.

1 Claim, 4 Drawing Sheets

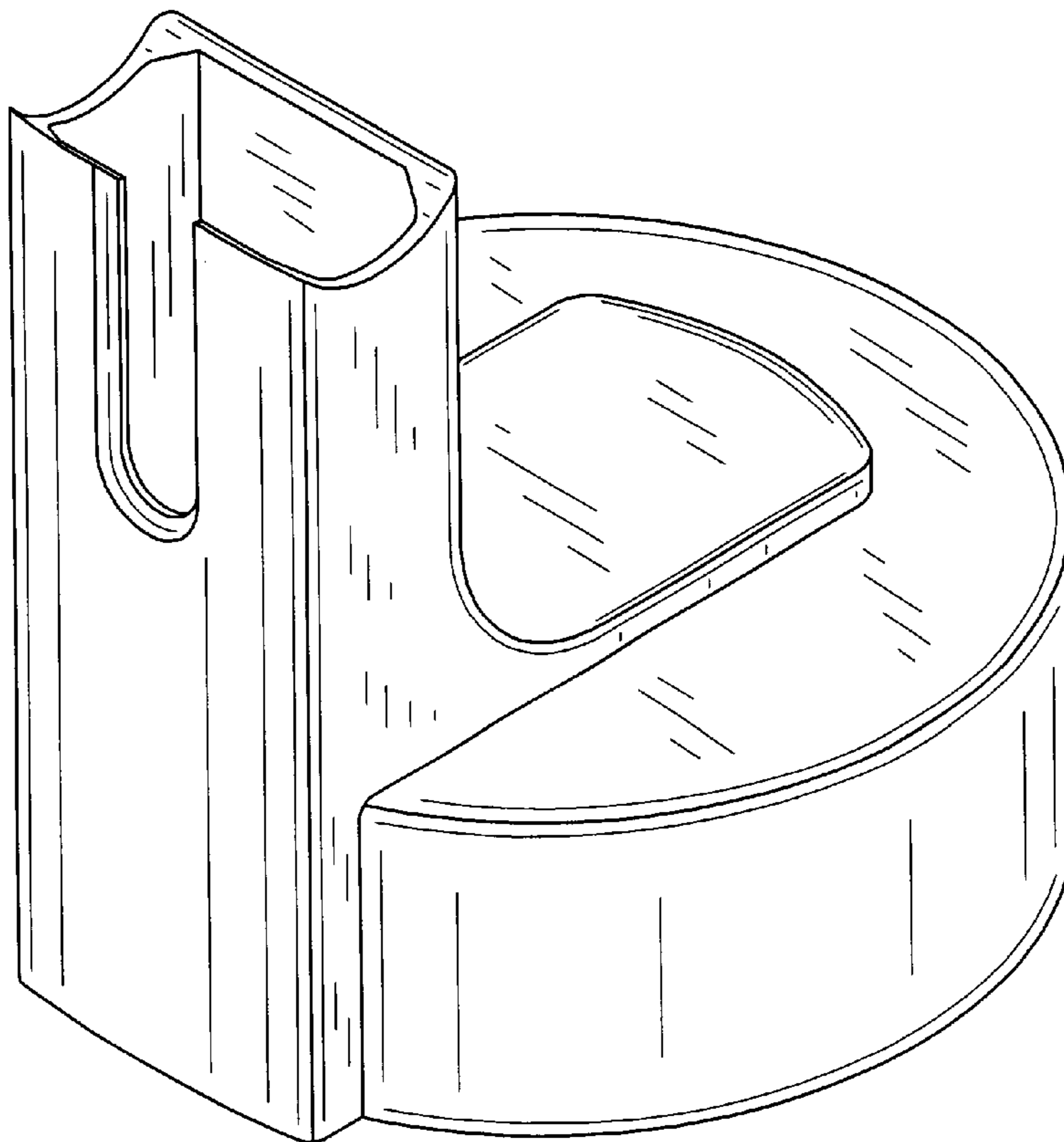


FIG. 1

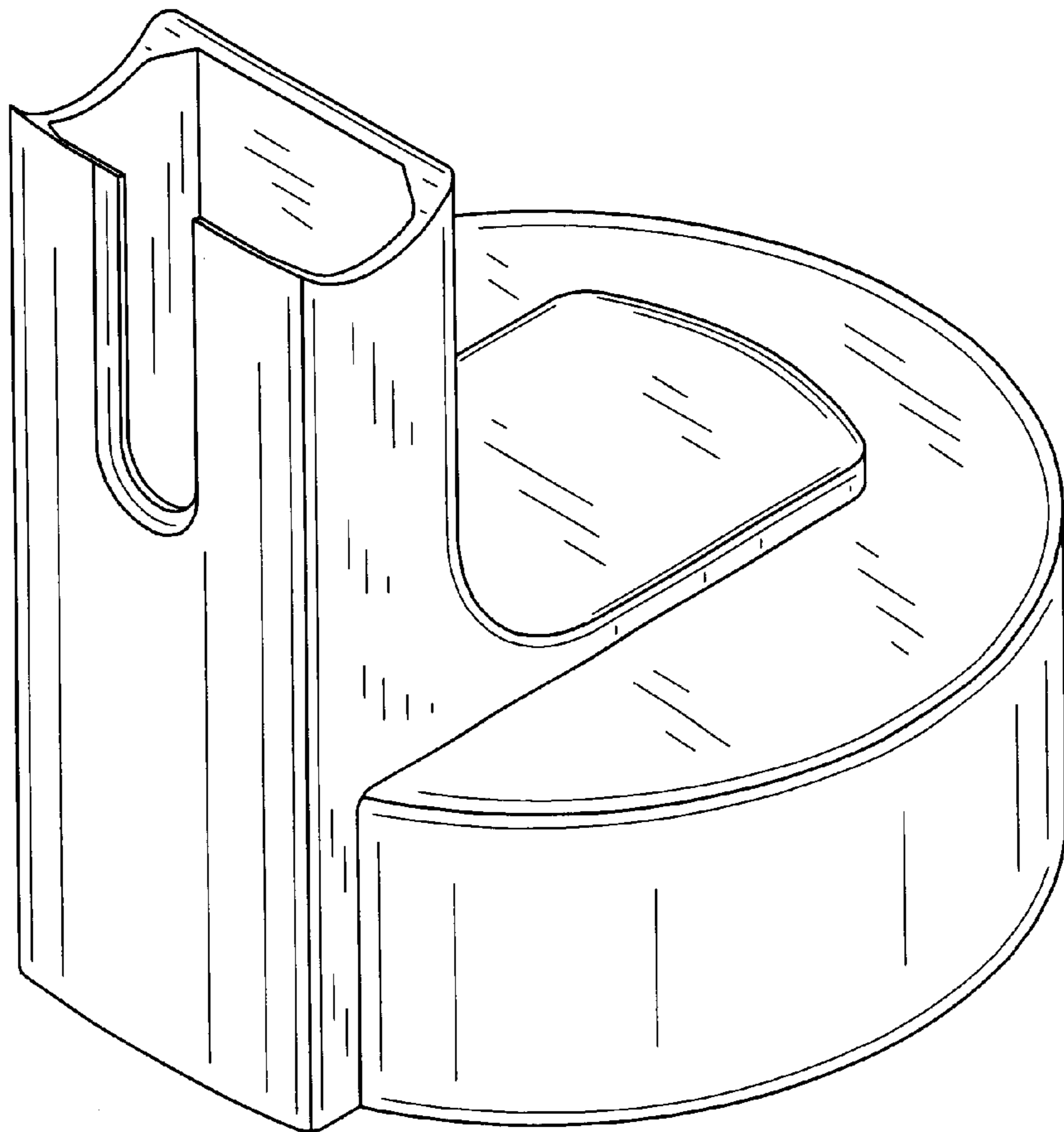


FIG. 2

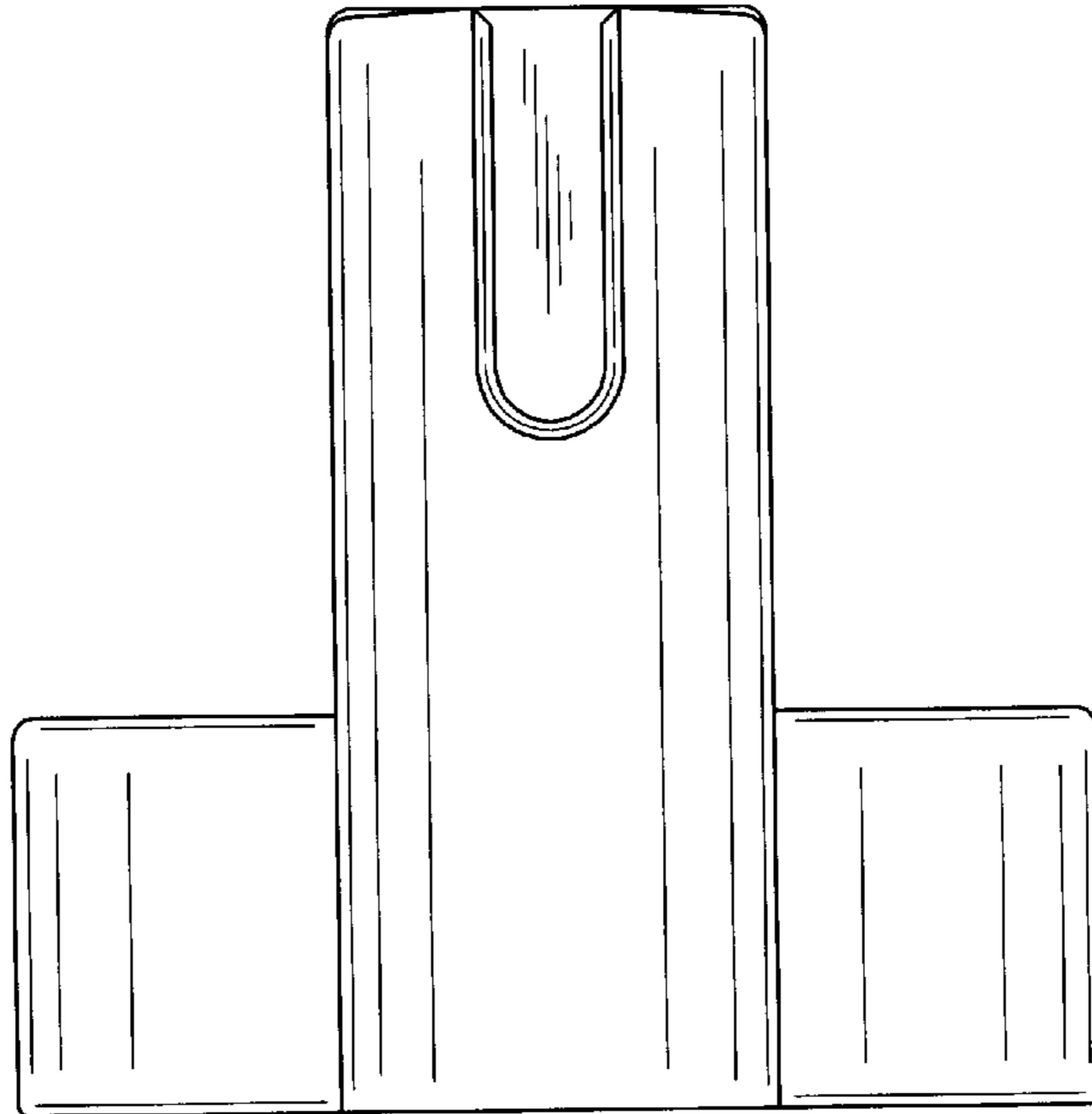


FIG. 3

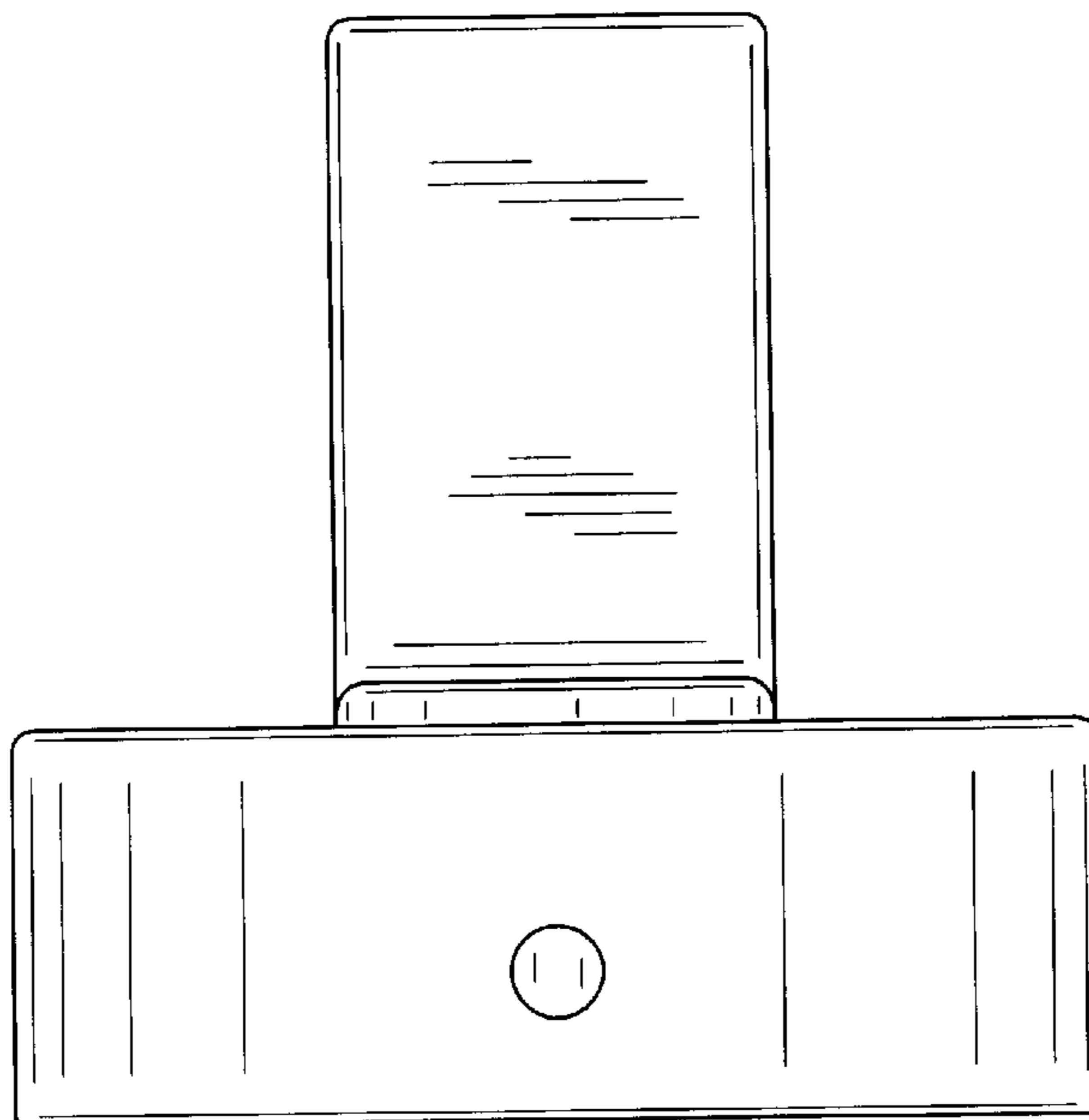


FIG. 4

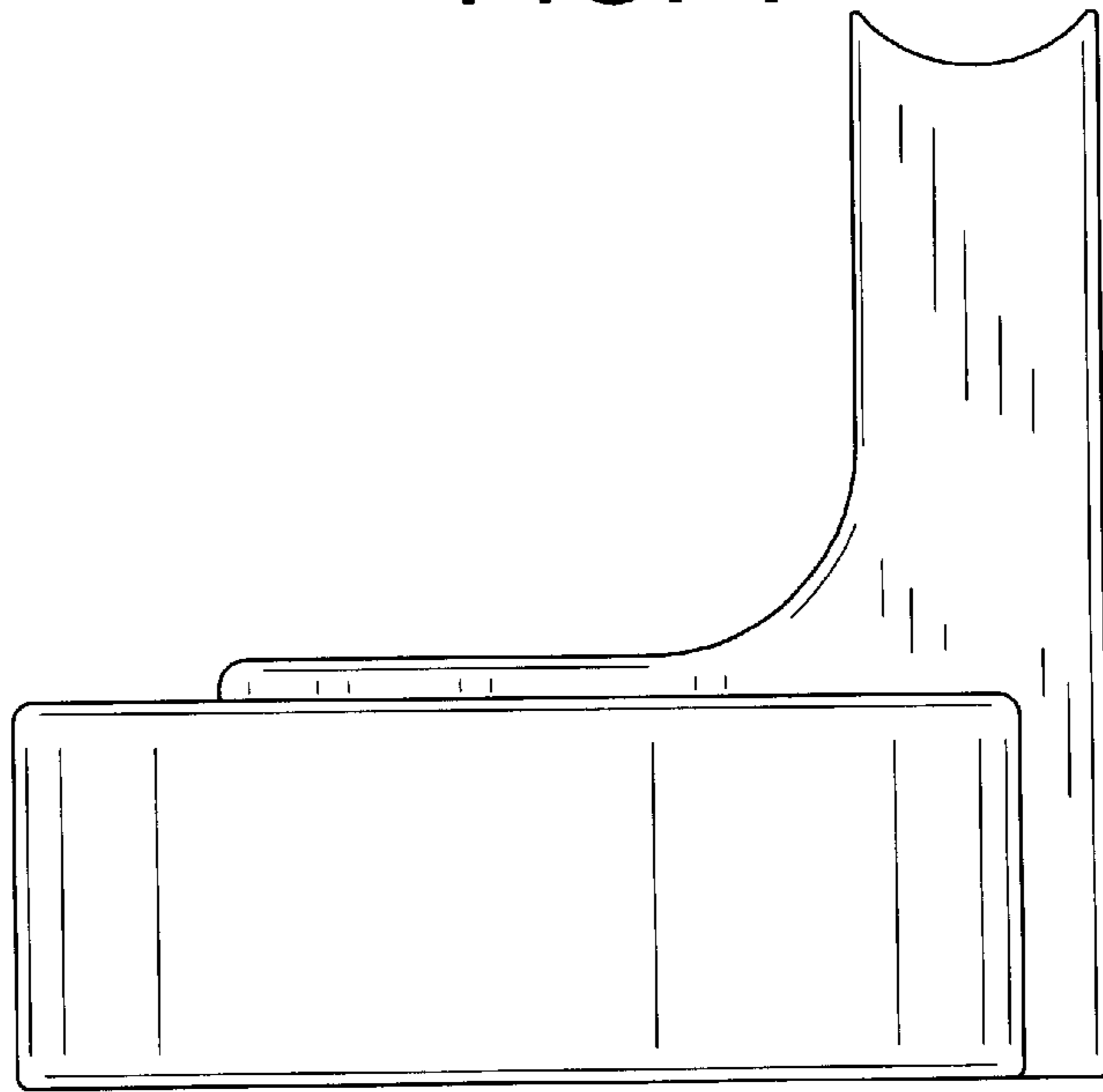


FIG. 5

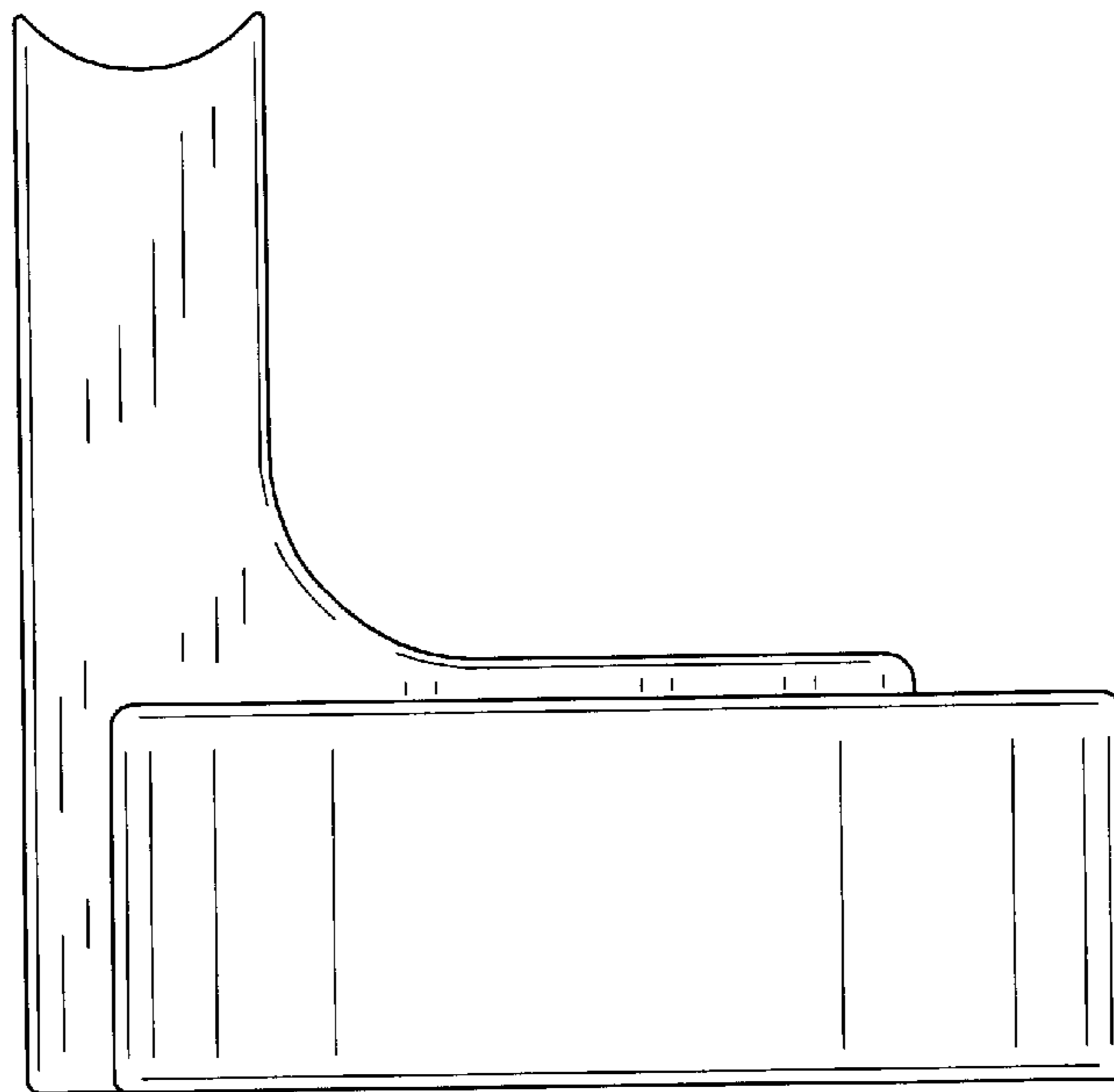


FIG. 6

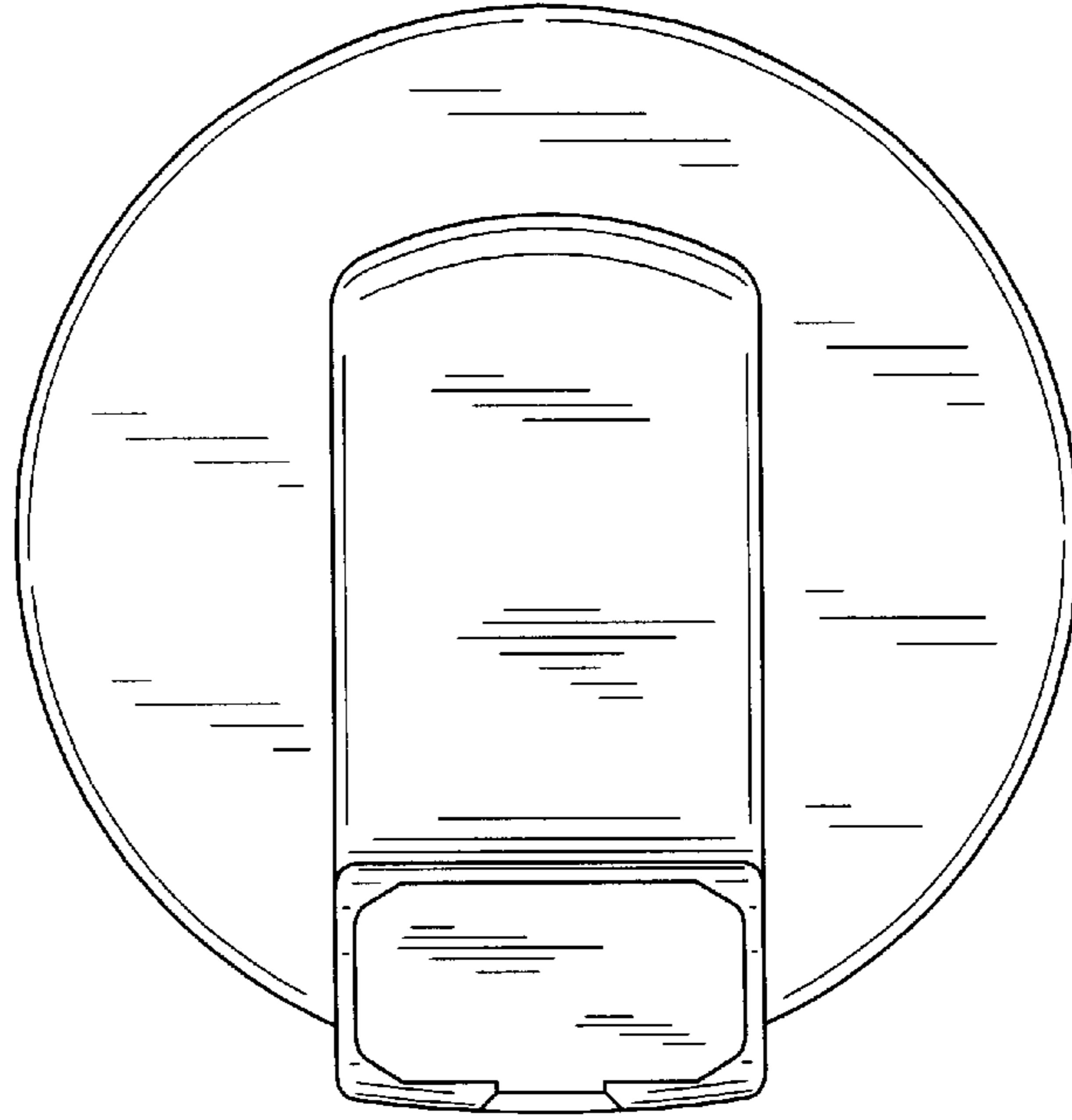


FIG. 7

