



US00D487273S

(12) **United States Design Patent**  
**Korpai**

(10) **Patent No.:** **US D487,273 S**

(45) **Date of Patent:** **\*\* Mar. 2, 2004**

(54) **SCREEN BORDER**

(76) Inventor: **James Korpai**, 67-23 50<sup>TH</sup> Ave.,  
Woodside, NY (US) 11377

(\*\*) Term: **14 Years**

(21) Appl. No.: **29/181,511**

(22) Filed: **May 12, 2003**

(51) **LOC (7) Cl.** ..... **14-02**

(52) **U.S. Cl.** ..... **D14/448; D6/300**

(58) **Field of Search** ..... D14/374, 448-450;  
D6/300-314; 40/511, 513, 700, 720, 722,  
658, 725, 594; D8/353; 248/442.2, 447.1,  
453, 918

(56) **References Cited**

**U.S. PATENT DOCUMENTS**

D288,746 S	*	3/1987	Allekotte	.....	D6/300
D365,688 S	*	1/1996	Lewis	.....	D6/300
5,901,937 A		5/1999	Compeau et al.		
D437,695 S		2/2001	Leung		
D461,113 S		8/2002	Aubert Capella		
D473,877 S		4/2003	James		
D474,615 S	*	5/2003	Harris	.....	D6/300

\* cited by examiner

*Primary Examiner*—Kay H. Chin

(57) **CLAIM**

The ornamental design for a screen border, as shown and described.

**DESCRIPTION**

FIG. 1 is a front view of a screen border showing my new design, with such border shown for purposes of illustration as attached to a monitor that is shown in dotted lines as environment and forms no part of the claimed invention;

FIG. 2 is a rear view thereof;  
 FIG. 3 is a perspective view thereof;  
 FIG. 4 is a top view thereof;  
 FIG. 5 is a bottom view thereof;  
 FIG. 6 is a left end view thereof;  
 FIG. 7 is a right end view thereof;  
 FIG. 8 is a front view of a second embodiment of the screen border;  
 FIG. 9 is a rear view thereof;  
 FIG. 10 is a perspective view thereof;  
 FIG. 11 is a top view thereof;  
 FIG. 12 is a bottom view thereof;  
 FIG. 13 is a right end view thereof;  
 FIG. 14 is a left end view thereof;  
 FIG. 15 is a front view of a third embodiment of the screen border, wherein the squared cover members are transparent. The rear view of this embodiment is the same as the FIG. 2;  
 FIG. 16 is a perspective view thereof;  
 FIG. 17 is a top view thereof;  
 FIG. 18 is a bottom view thereof;  
 FIG. 19 is a left end view thereof;  
 FIG. 20 is a right end view thereof;  
 FIG. 21 is a front view of a fourth embodiment of my the screen border, wherein the squared cover members are transparent. The rear view of this embodiment is the same as the FIG. 9;  
 FIG. 22 is a perspective view thereof;  
 FIG. 23 is a top view thereof;  
 FIG. 24 is a bottom view thereof;  
 FIG. 25 is a right end view thereof; and,  
 FIG. 26 is a left end view thereof.

**1 Claim, 18 Drawing Sheets**

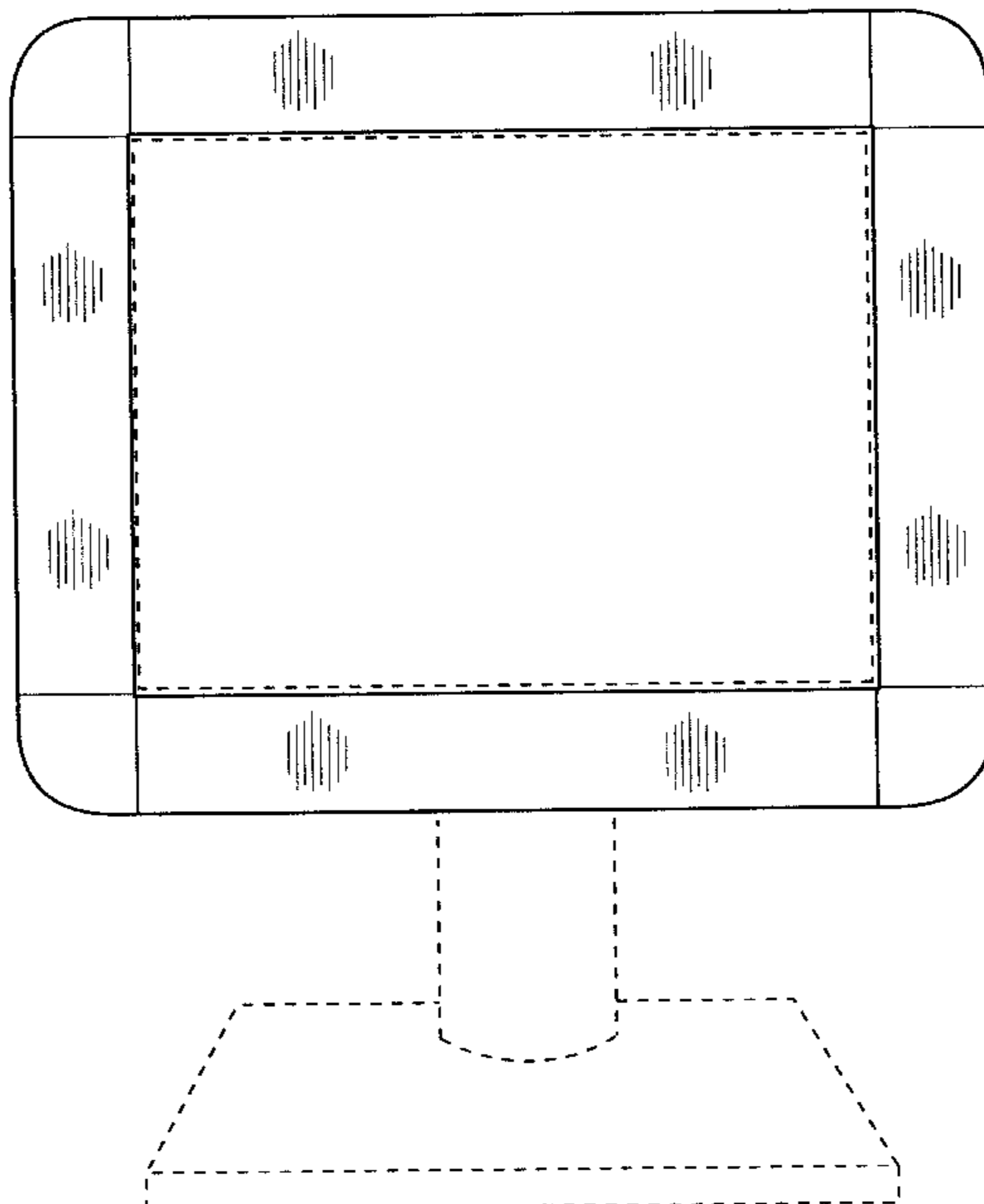


FIG. 1

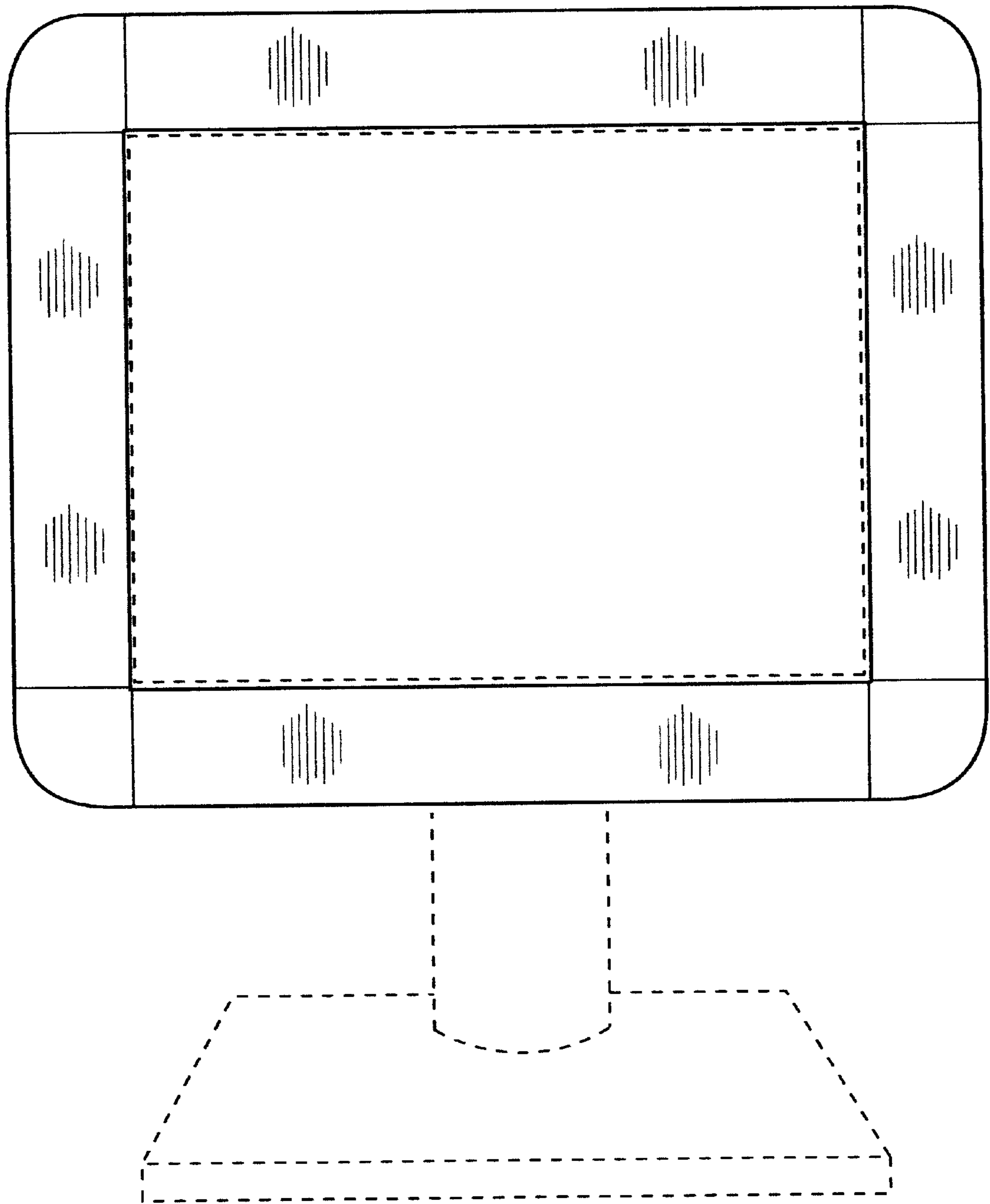


FIG. 2

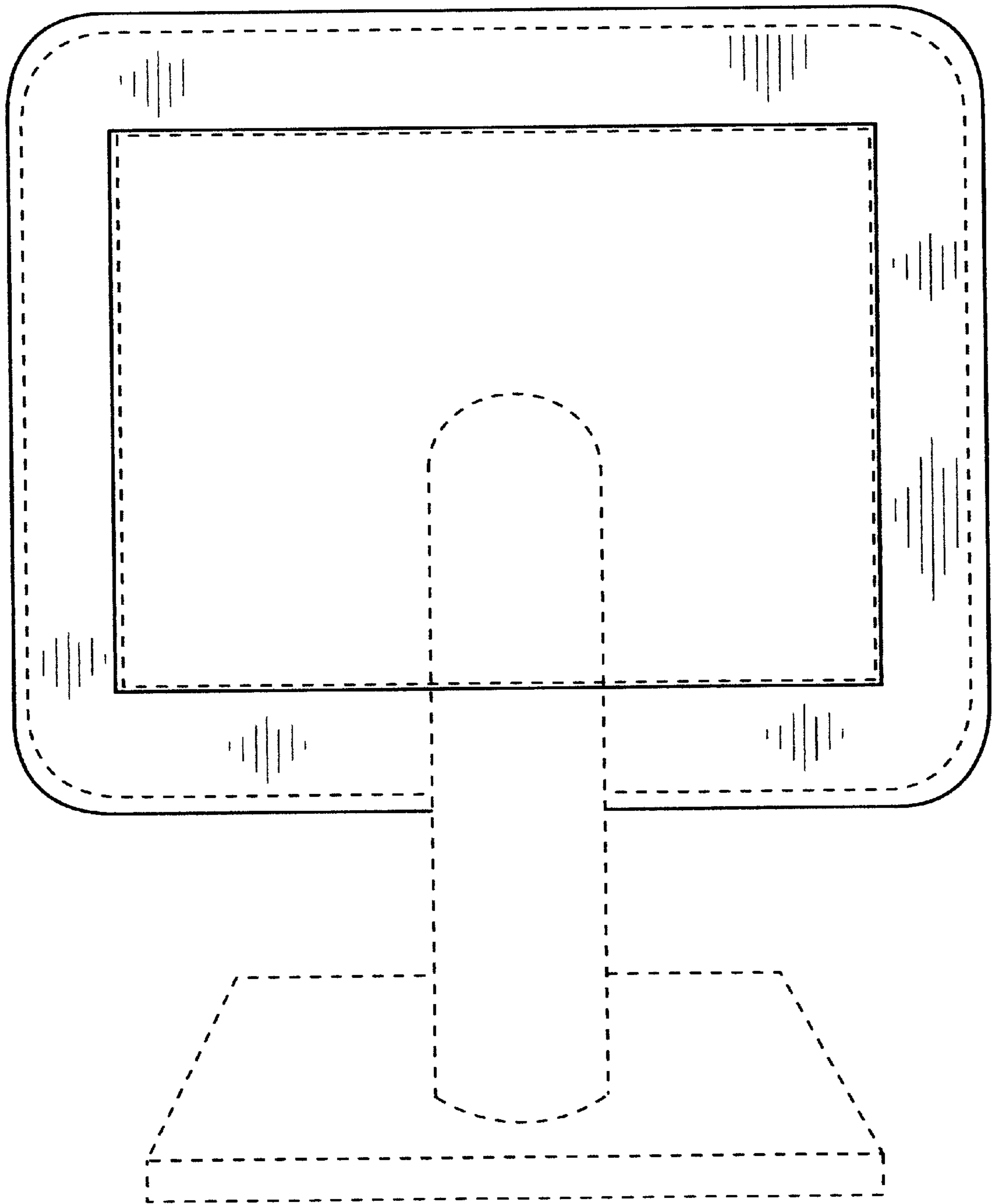


FIG. 3

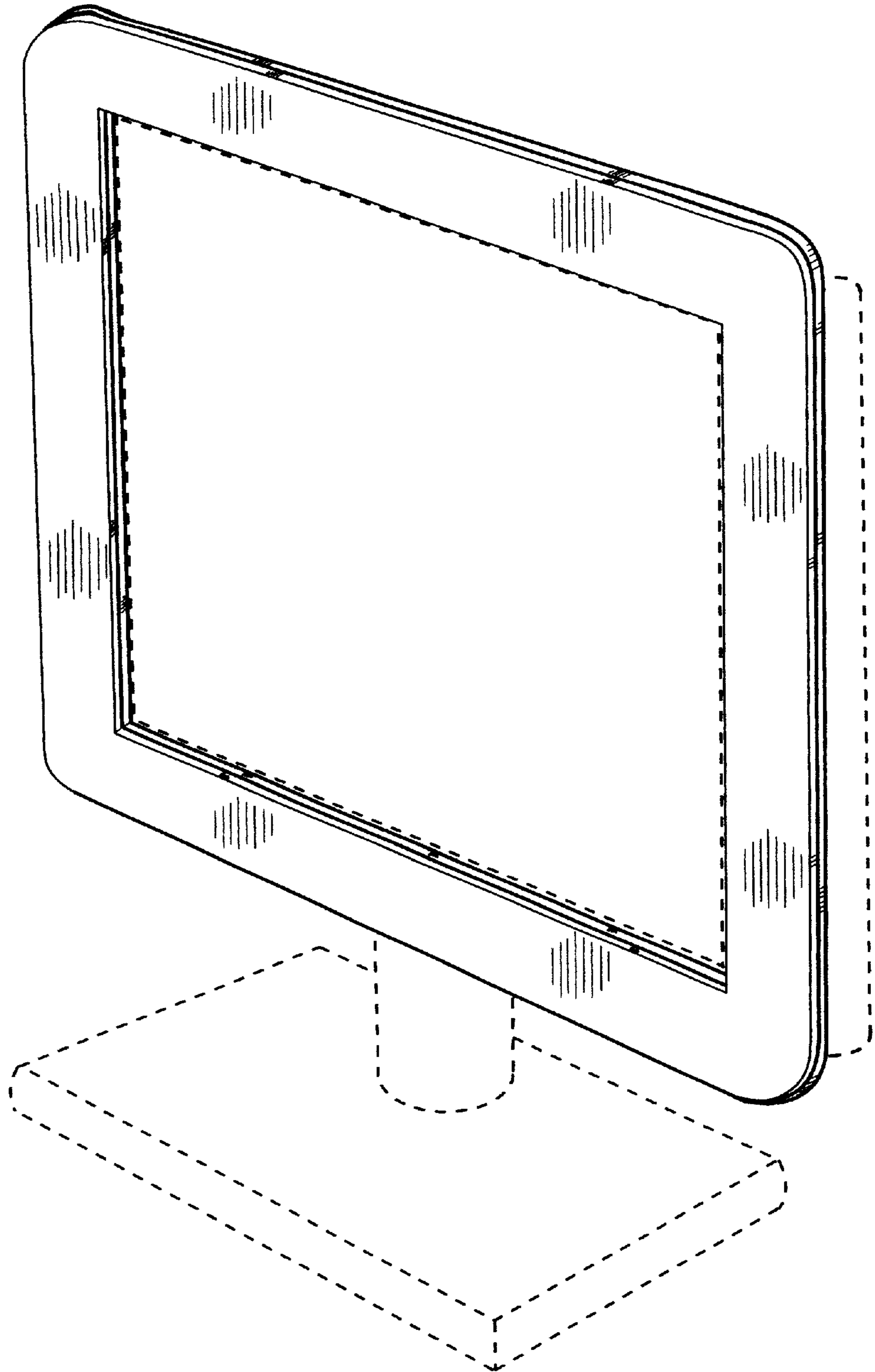


FIG. 4

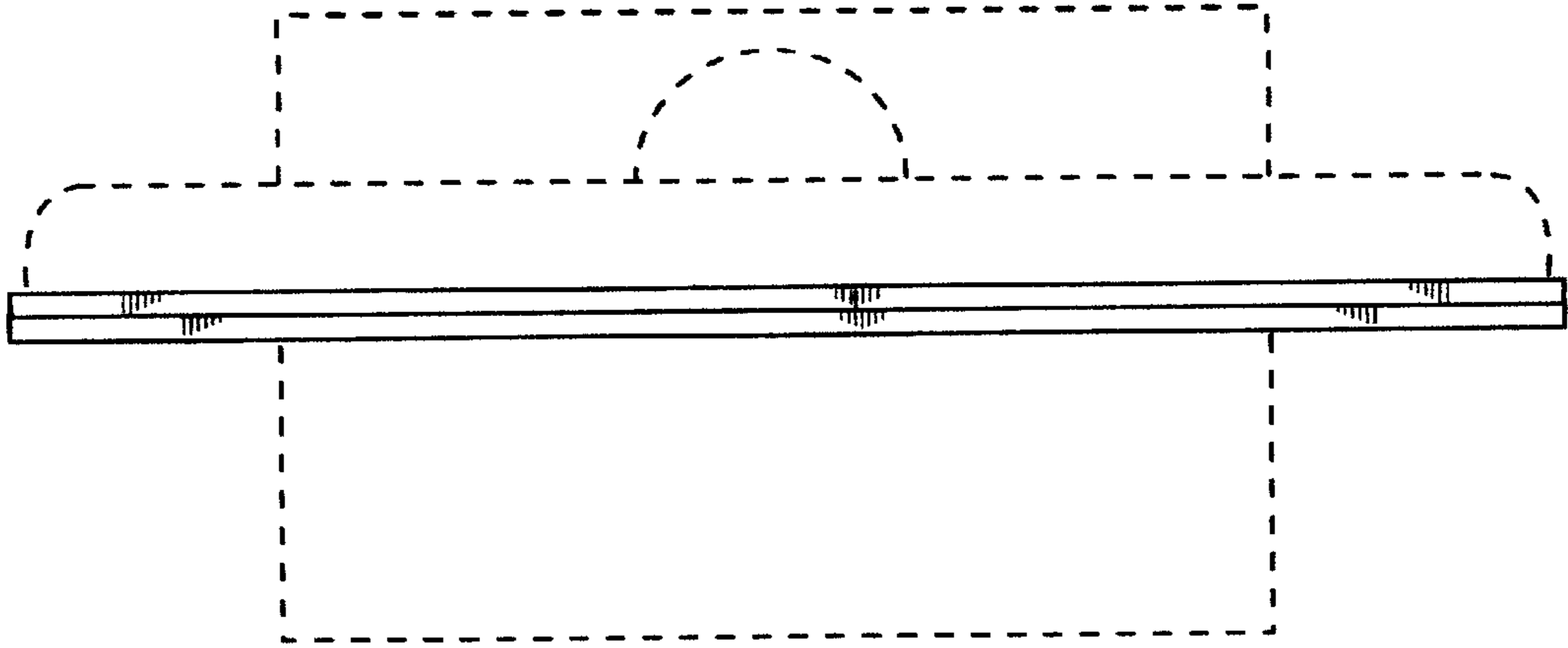


FIG. 5

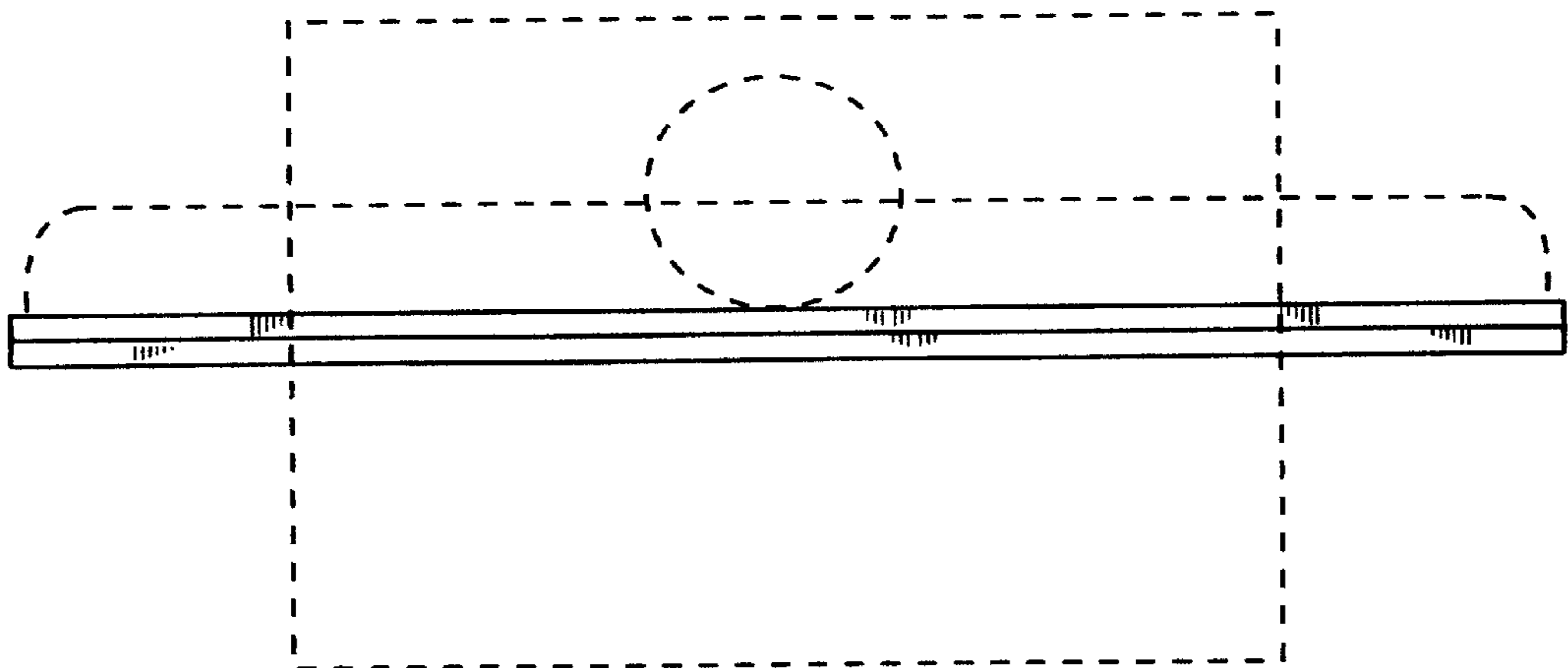


FIG. 6

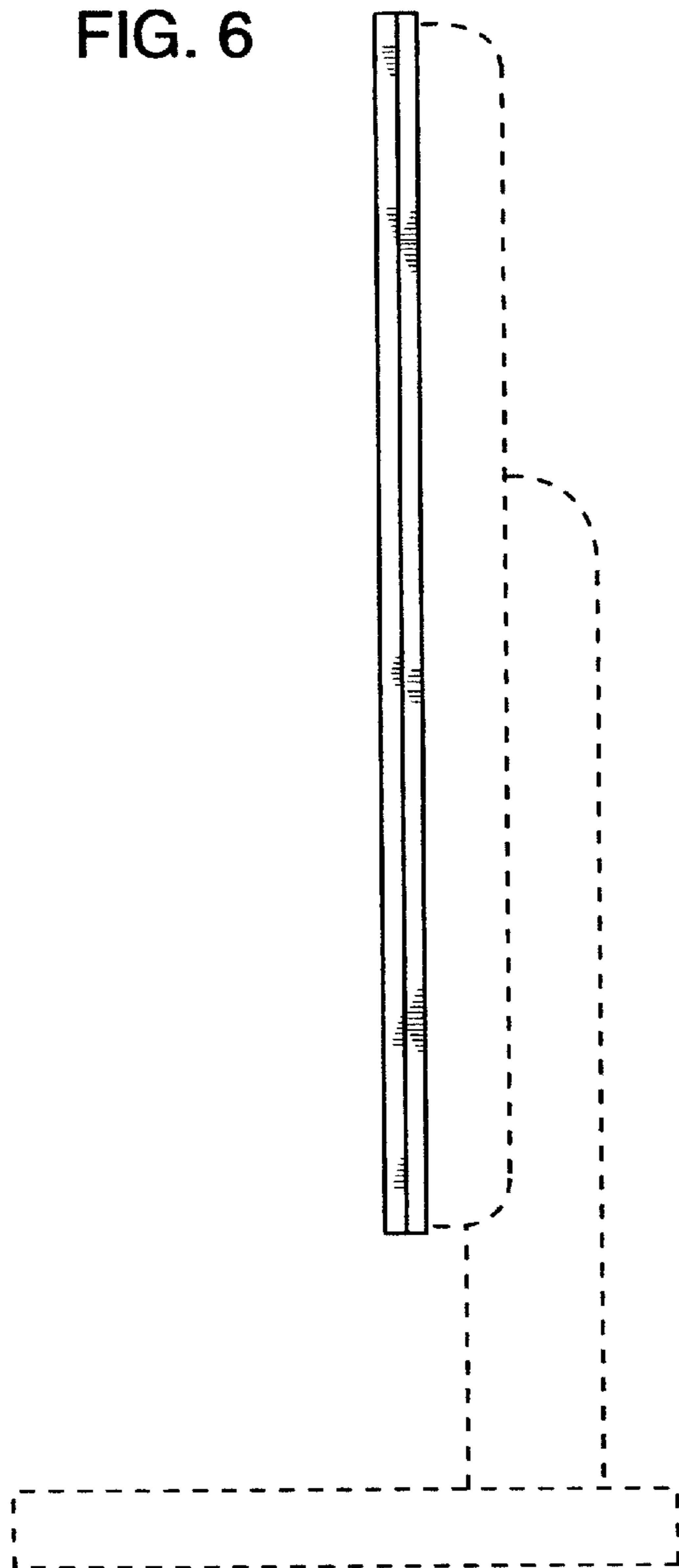


FIG. 7

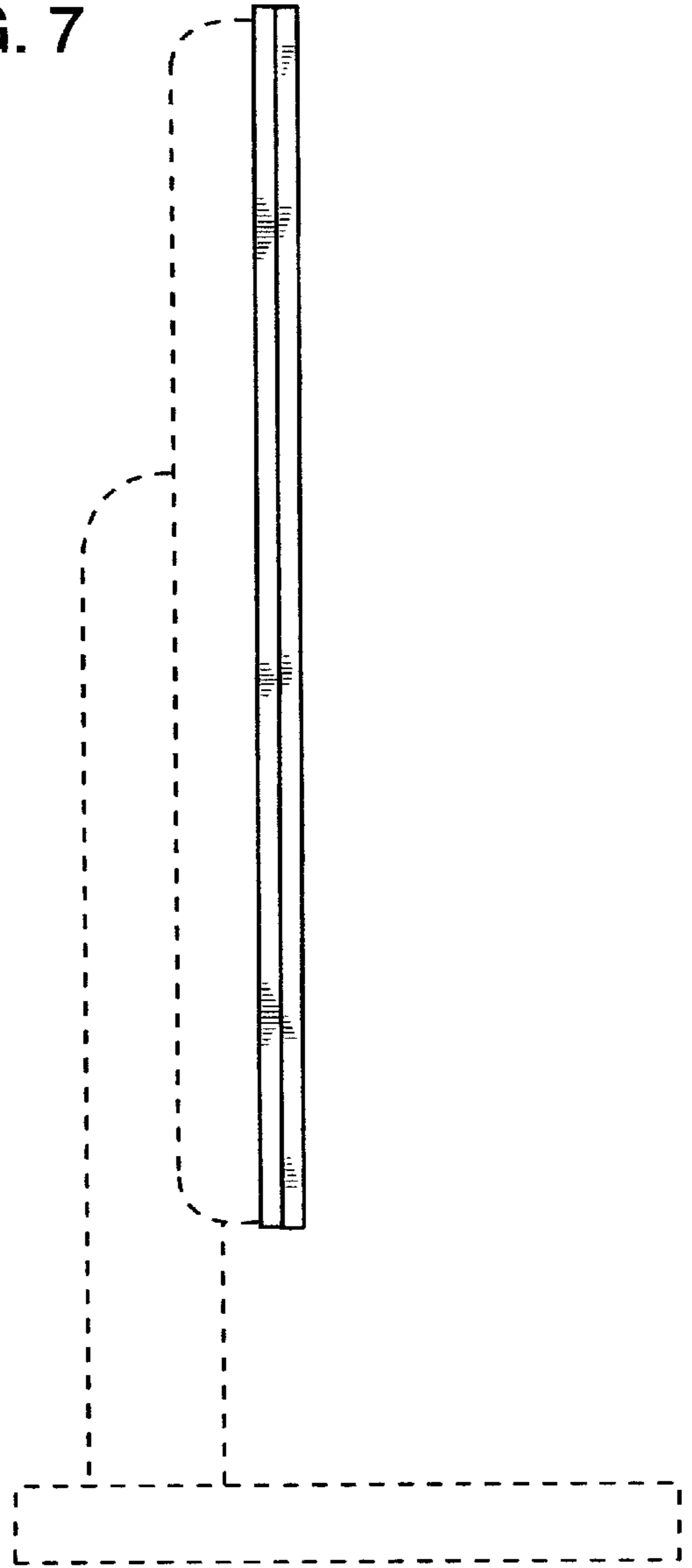


FIG. 8

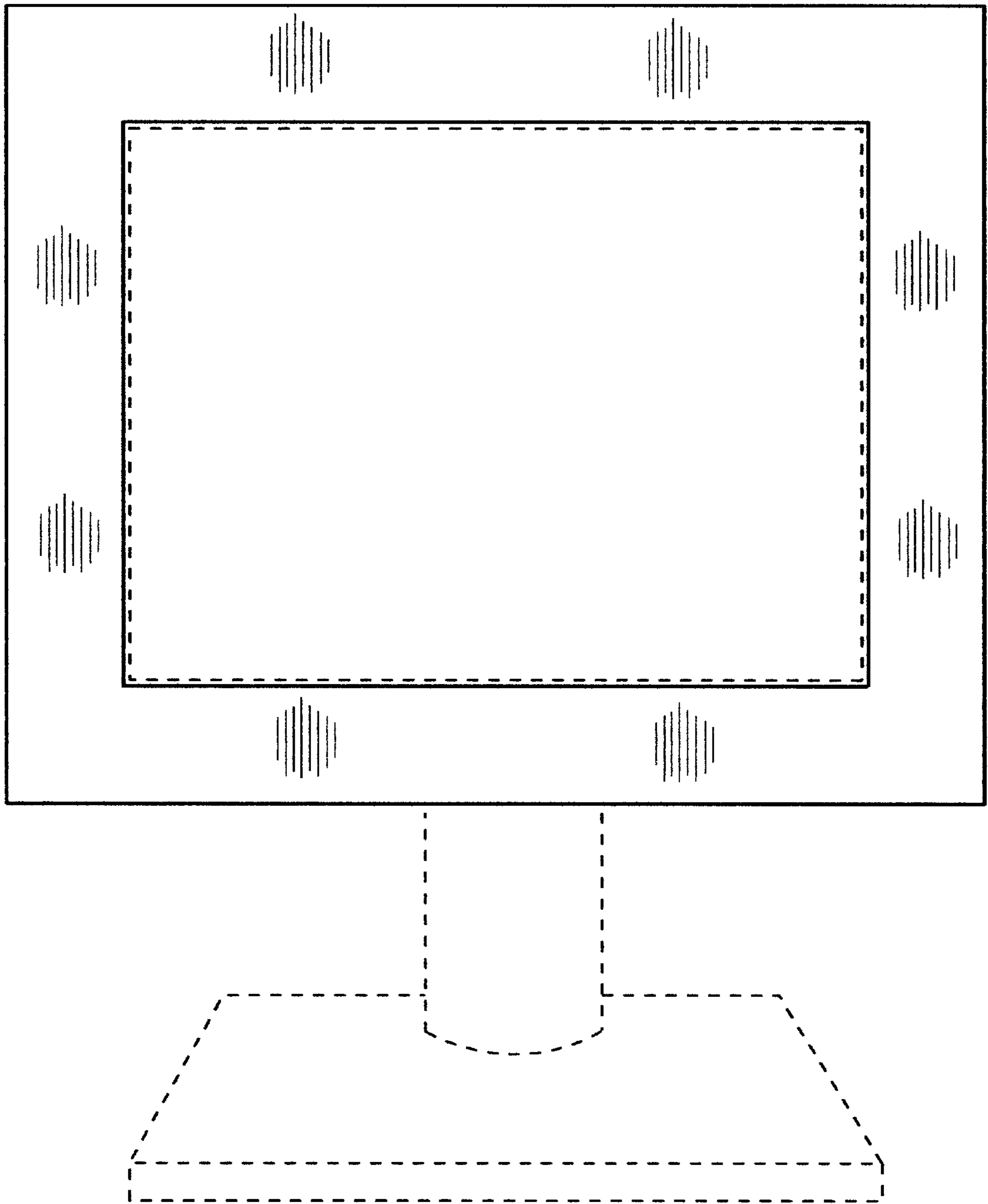


FIG. 9

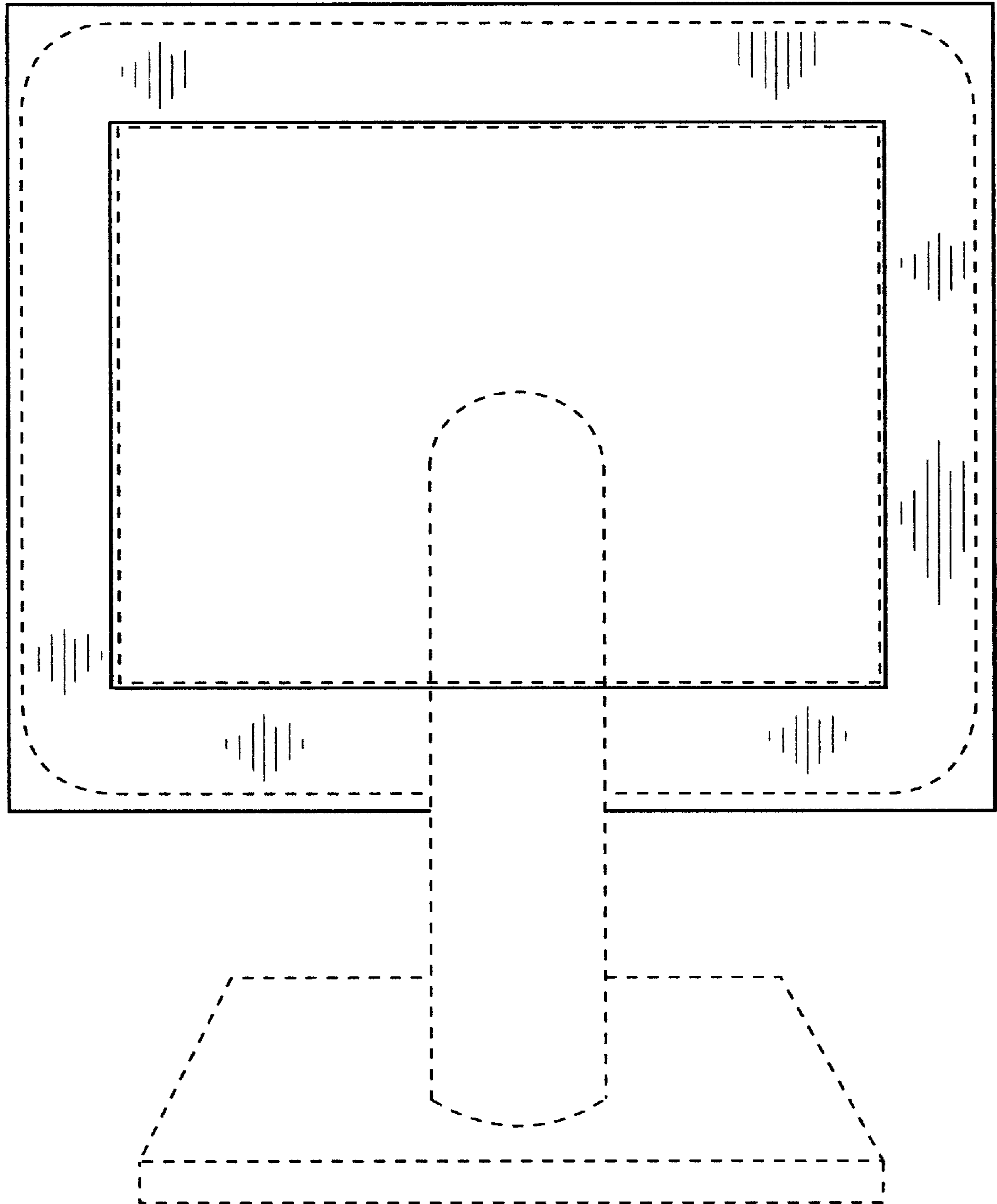




FIG. 10

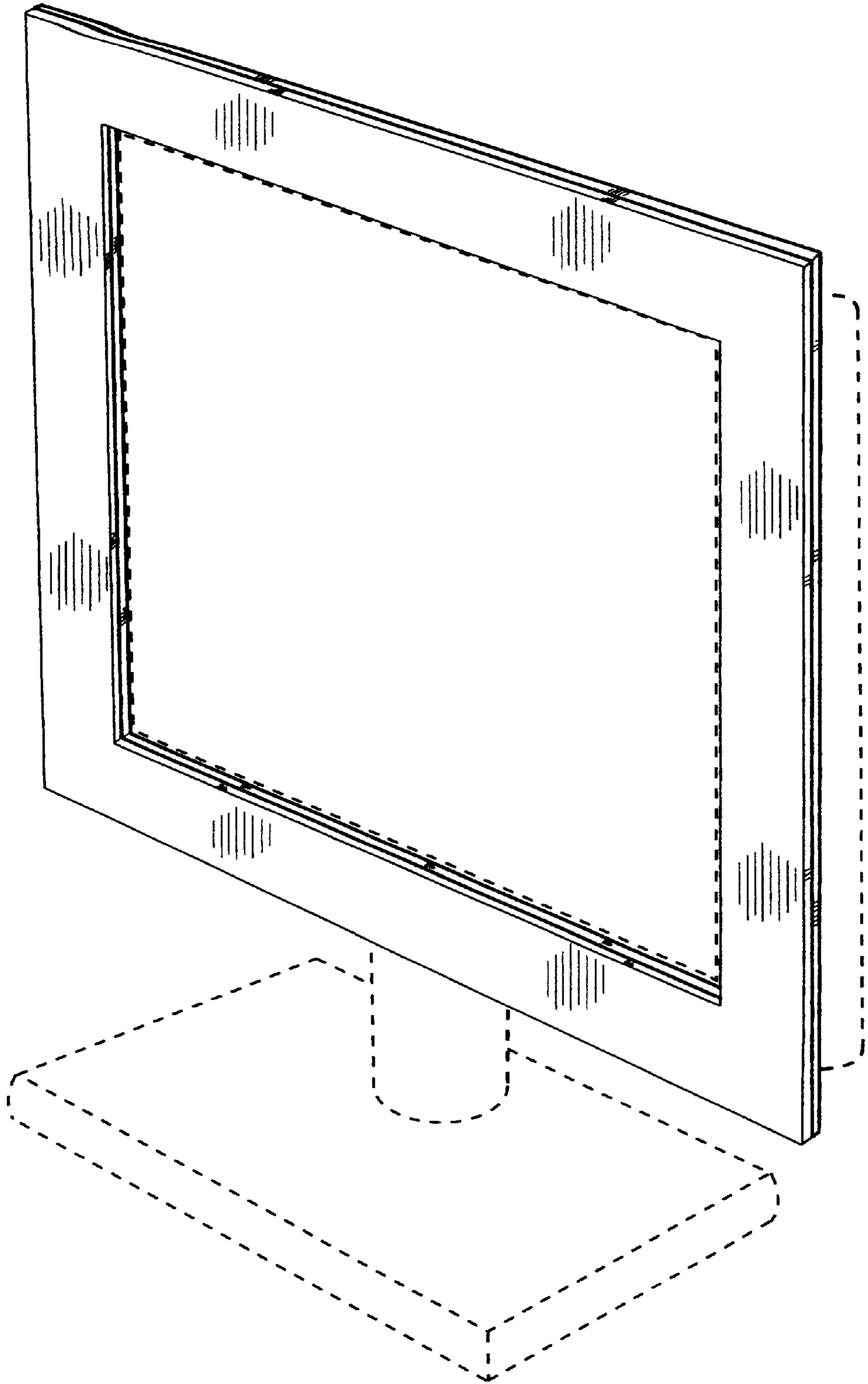


FIG. 11

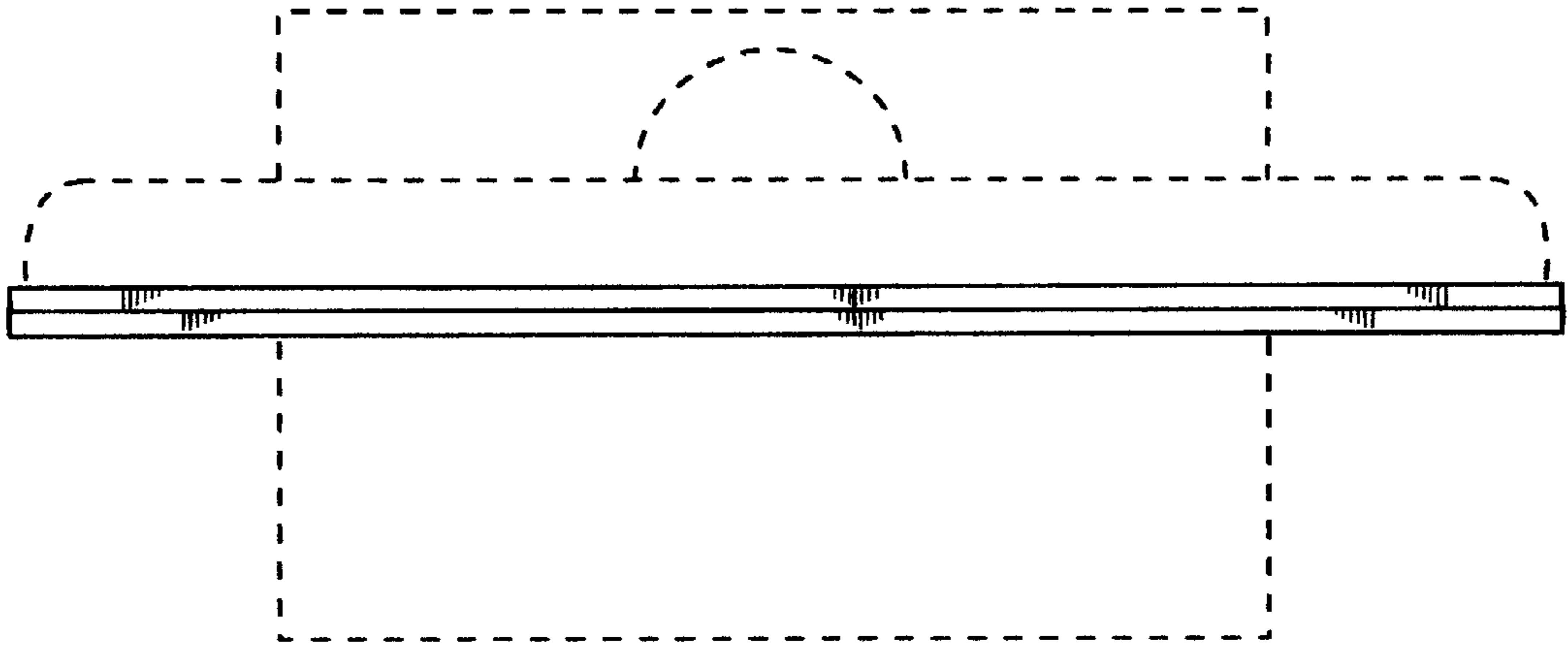


FIG. 12

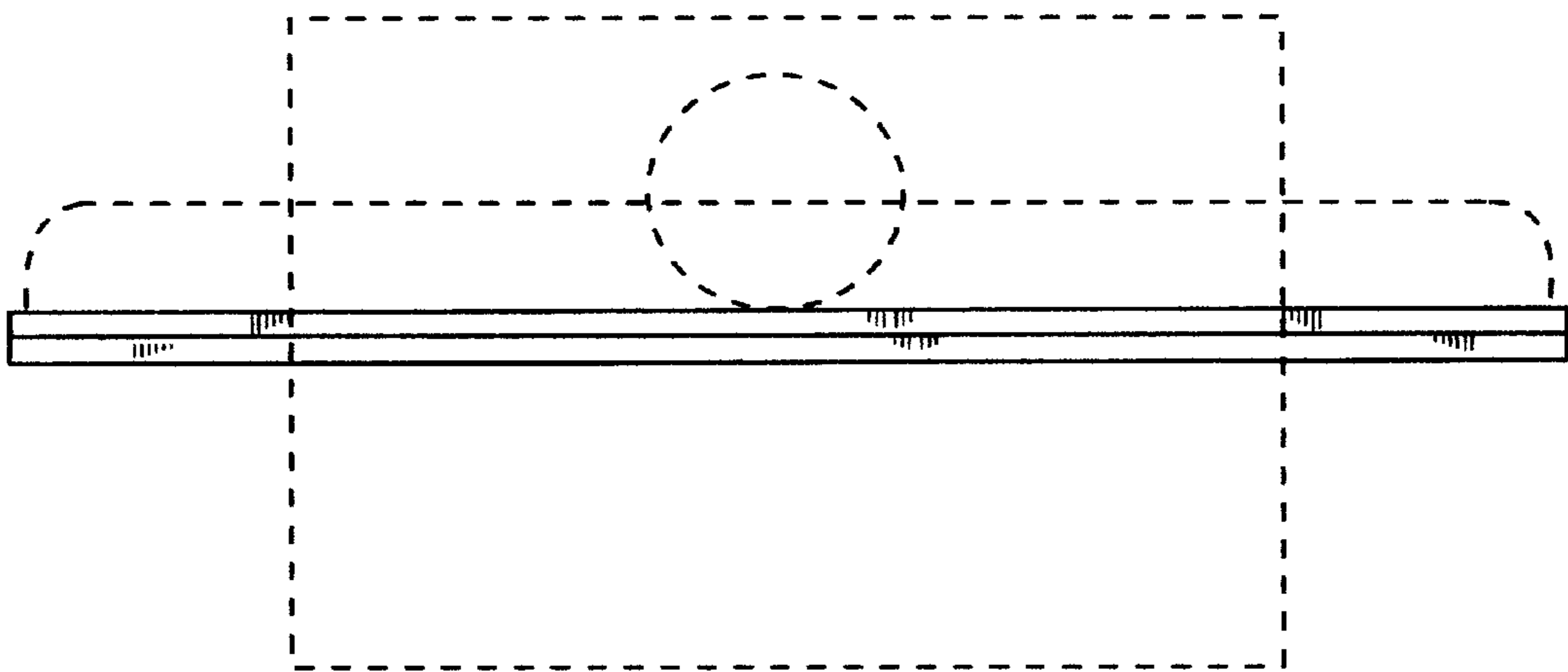


FIG. 13

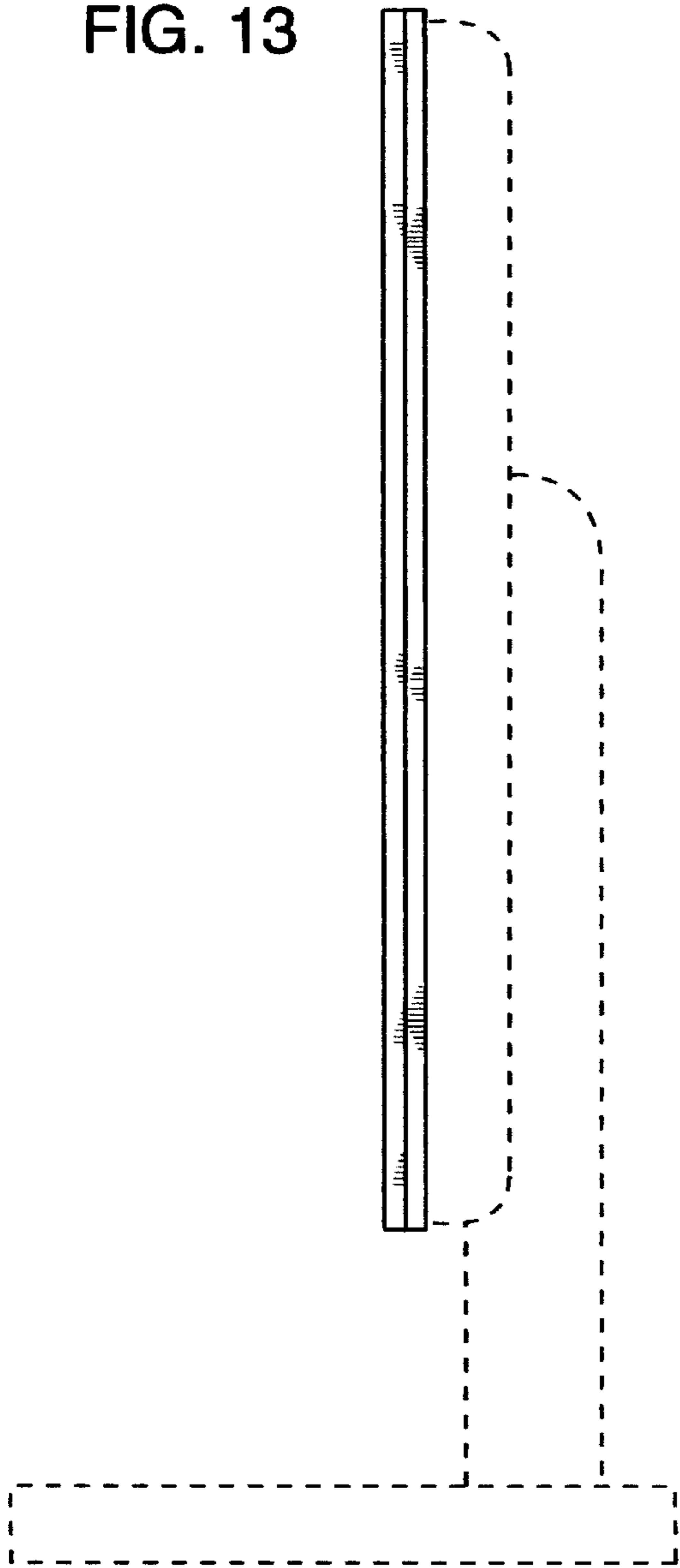


FIG. 14

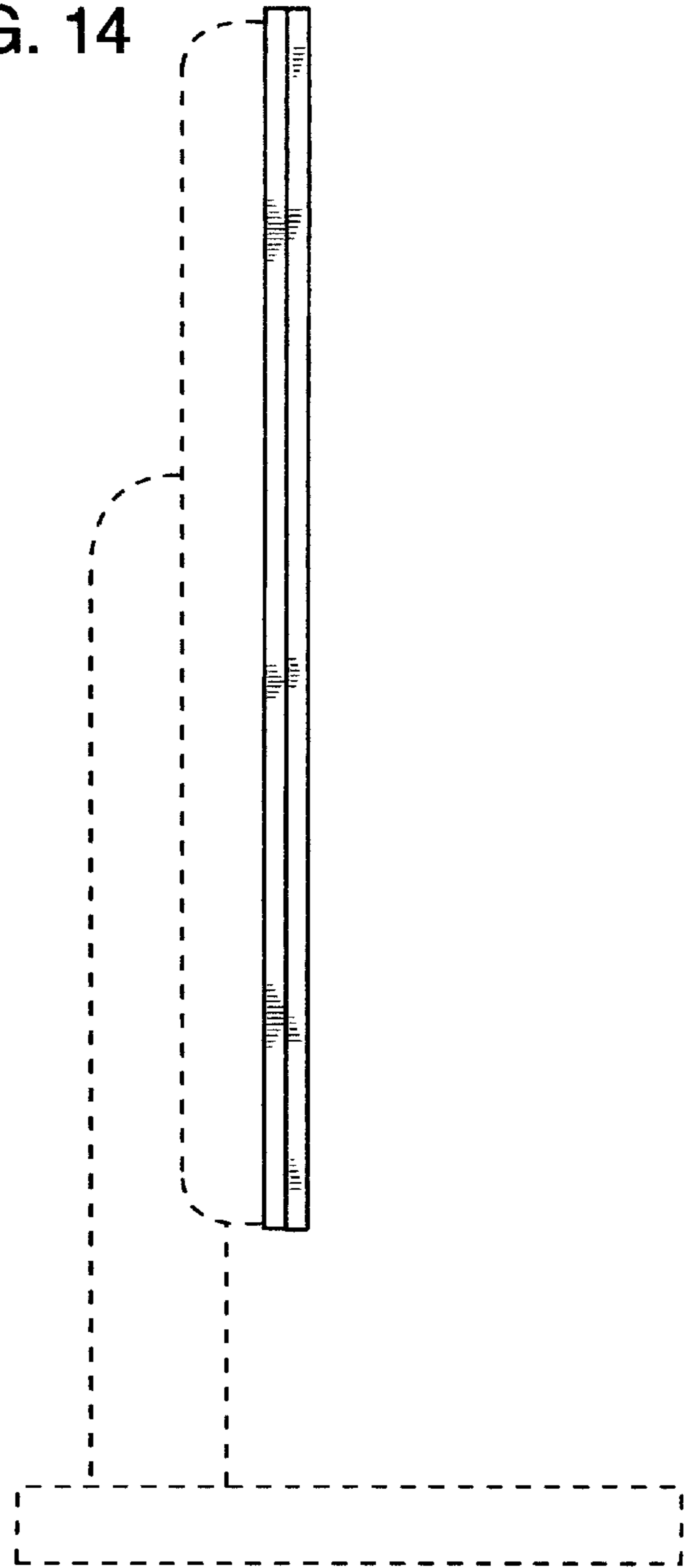


FIG. 15

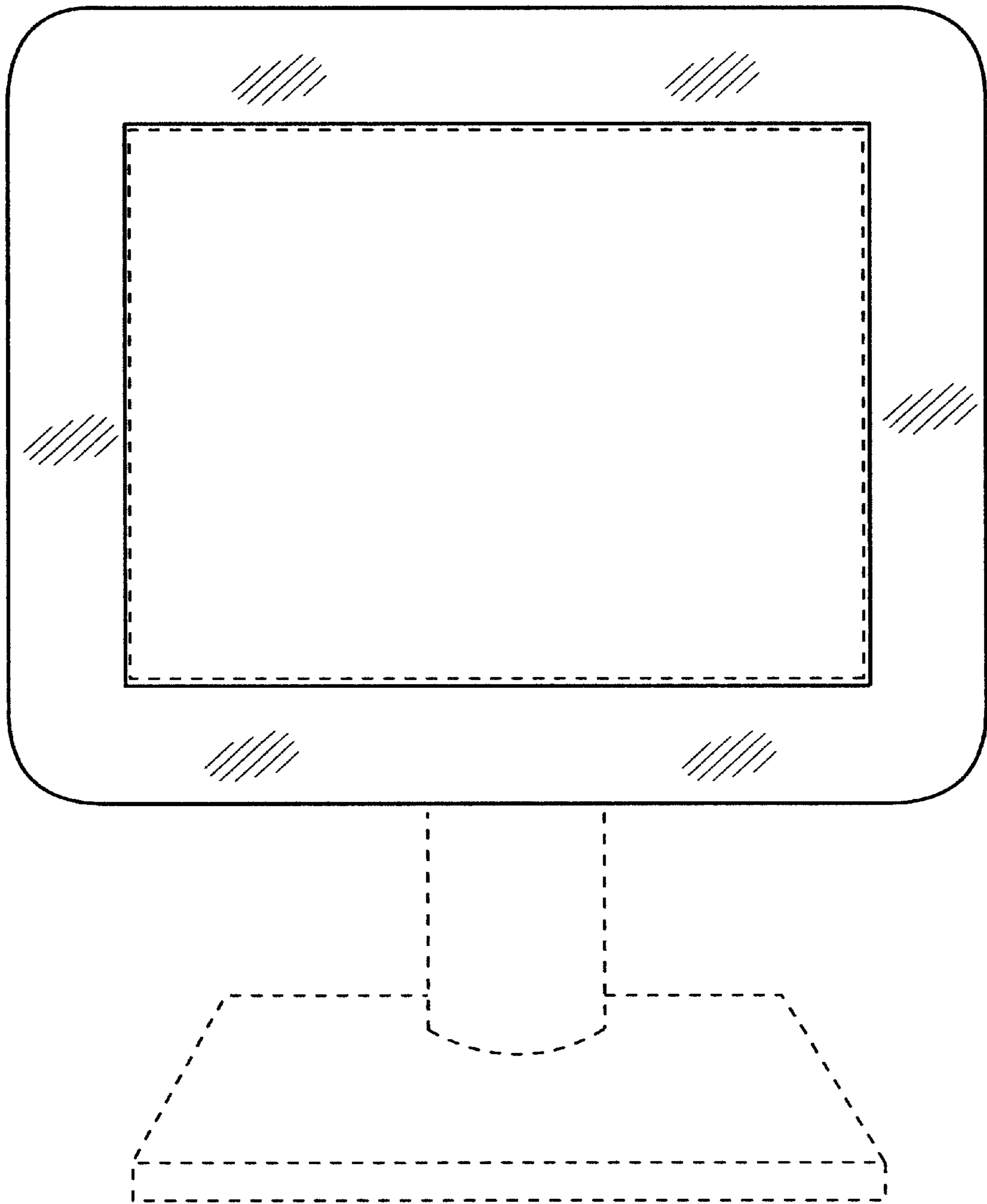


FIG. 16

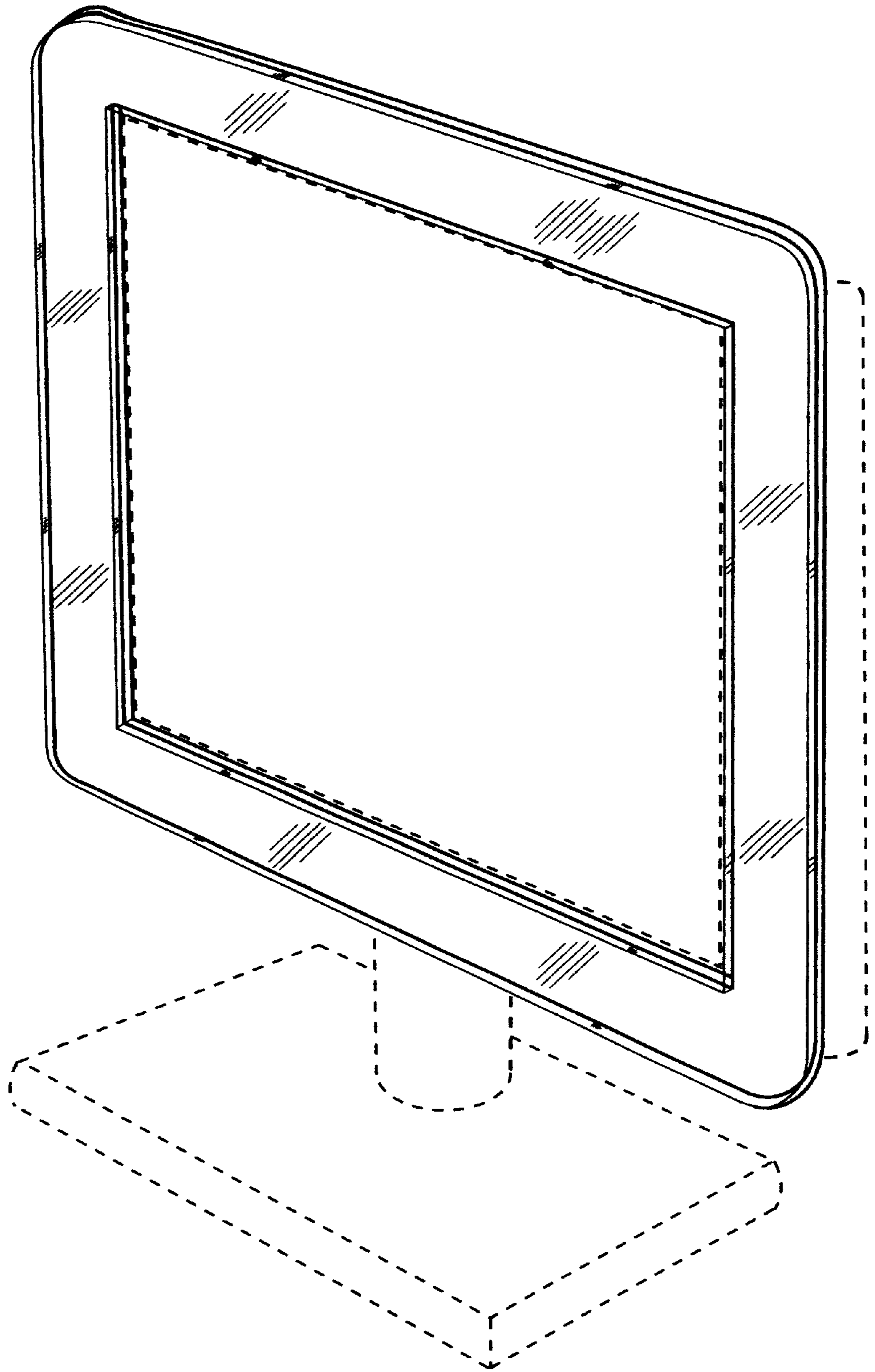


FIG. 17

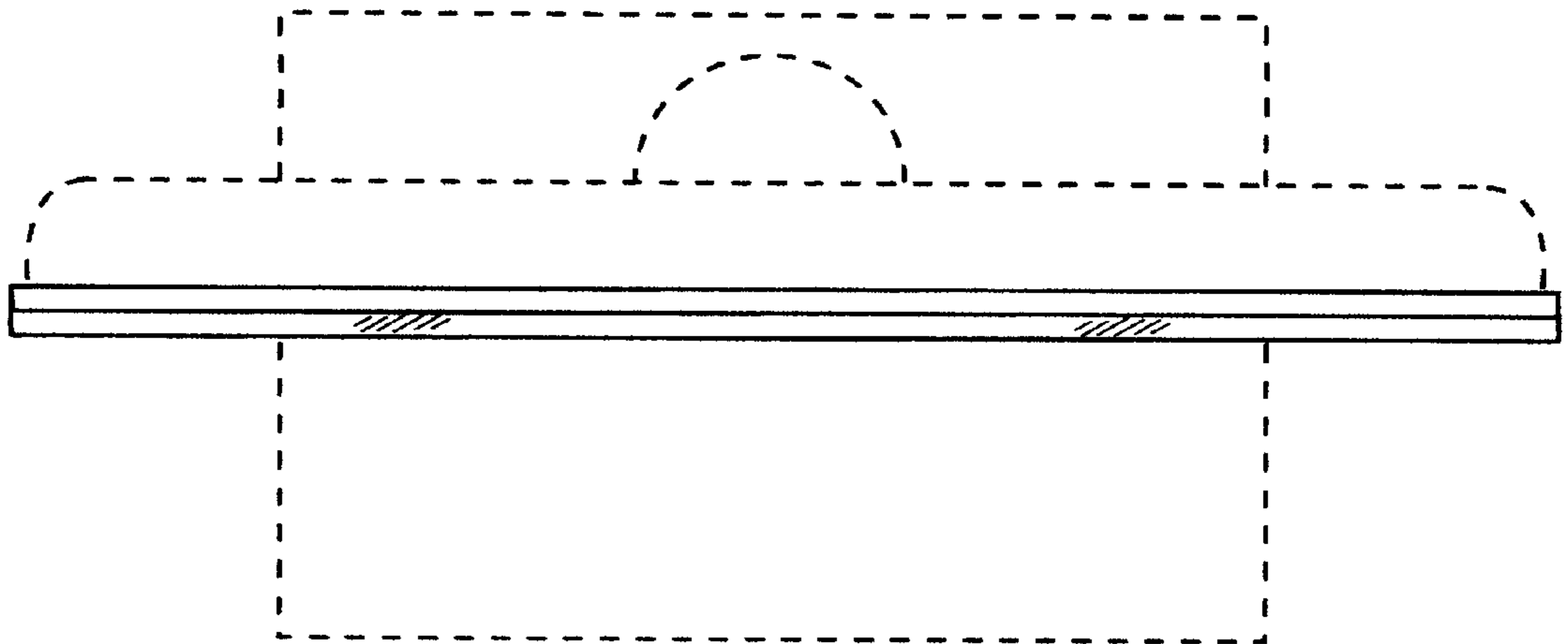


FIG. 18

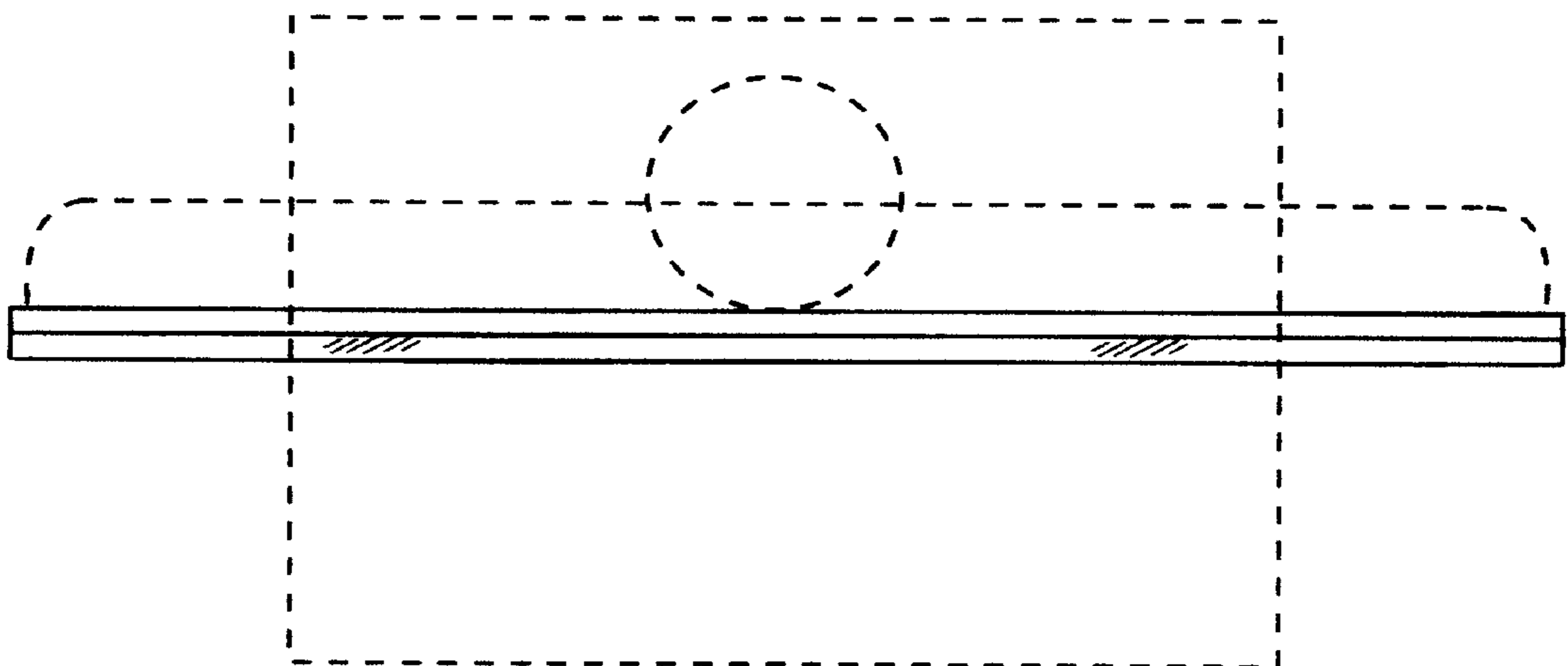


FIG. 19

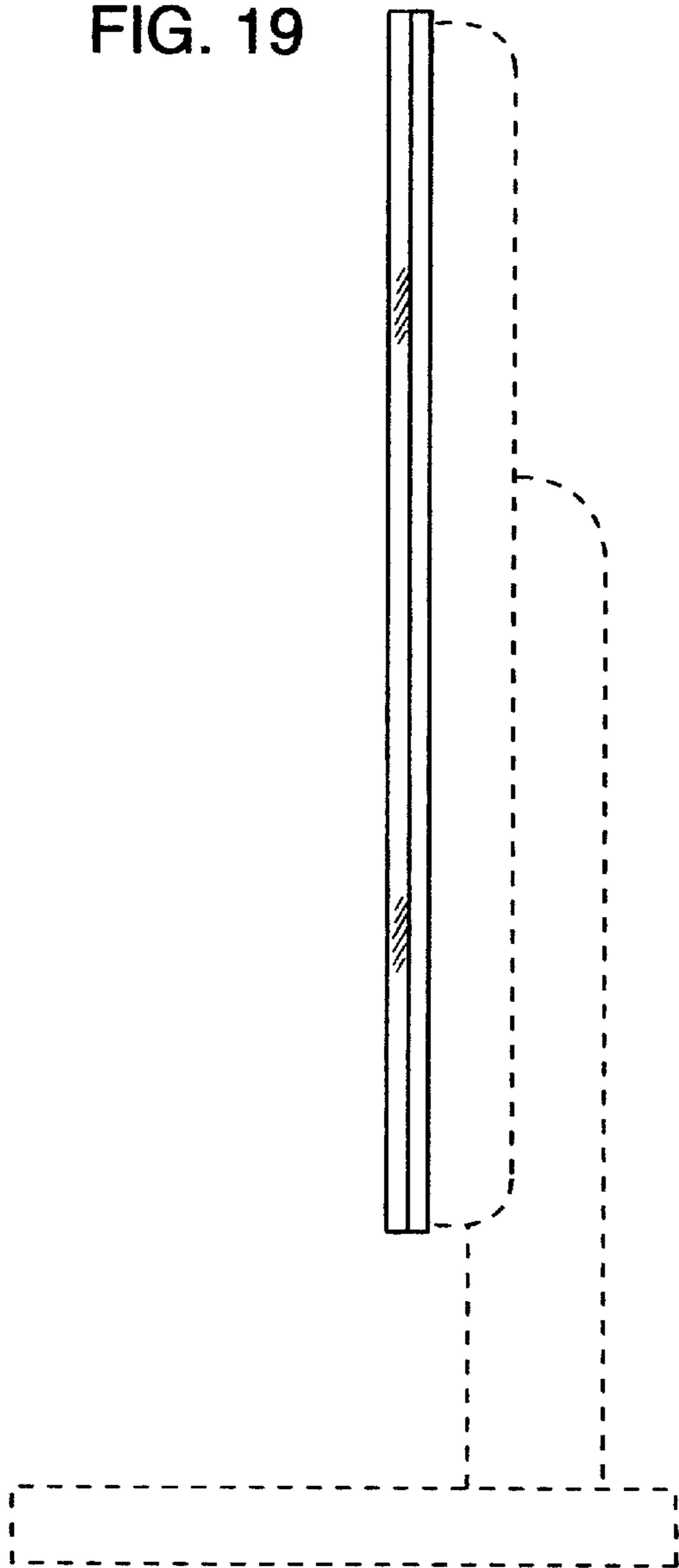


FIG. 20

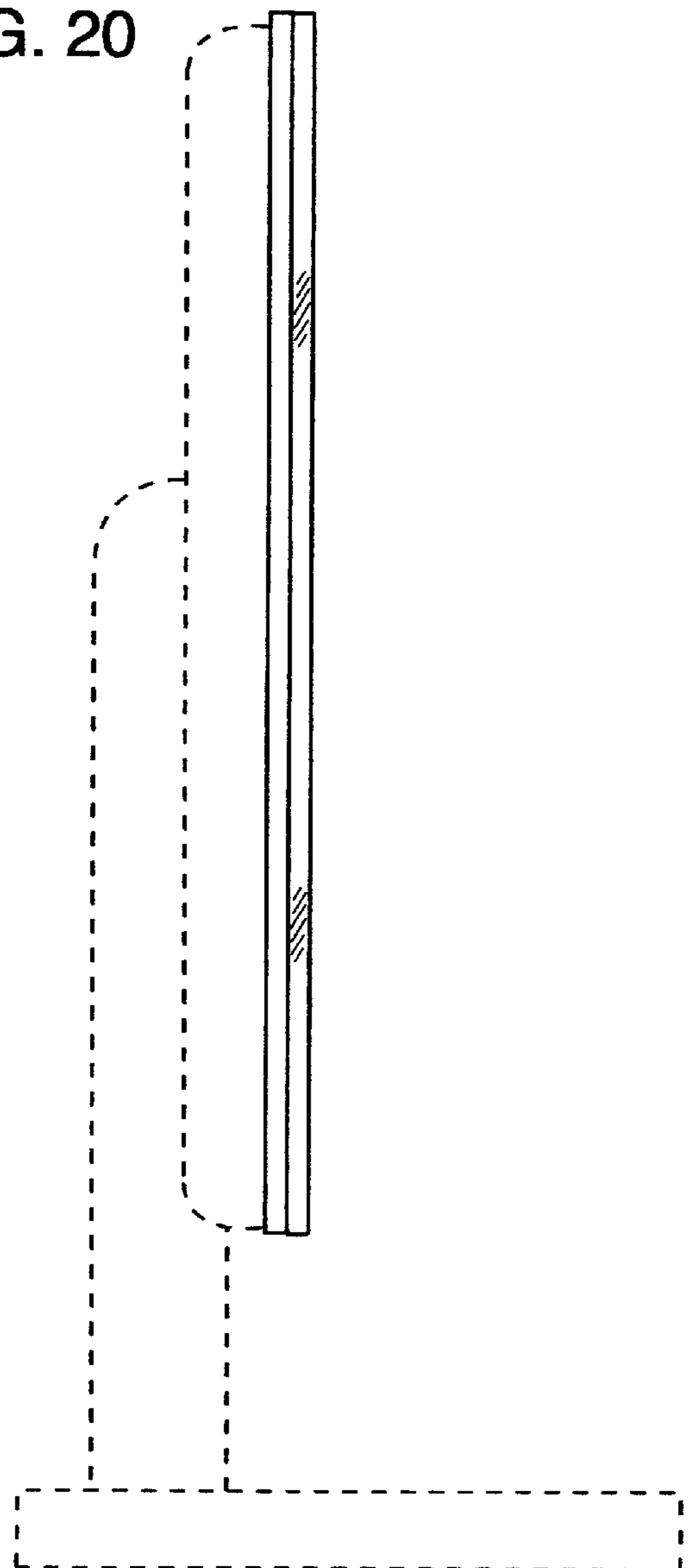


FIG. 21

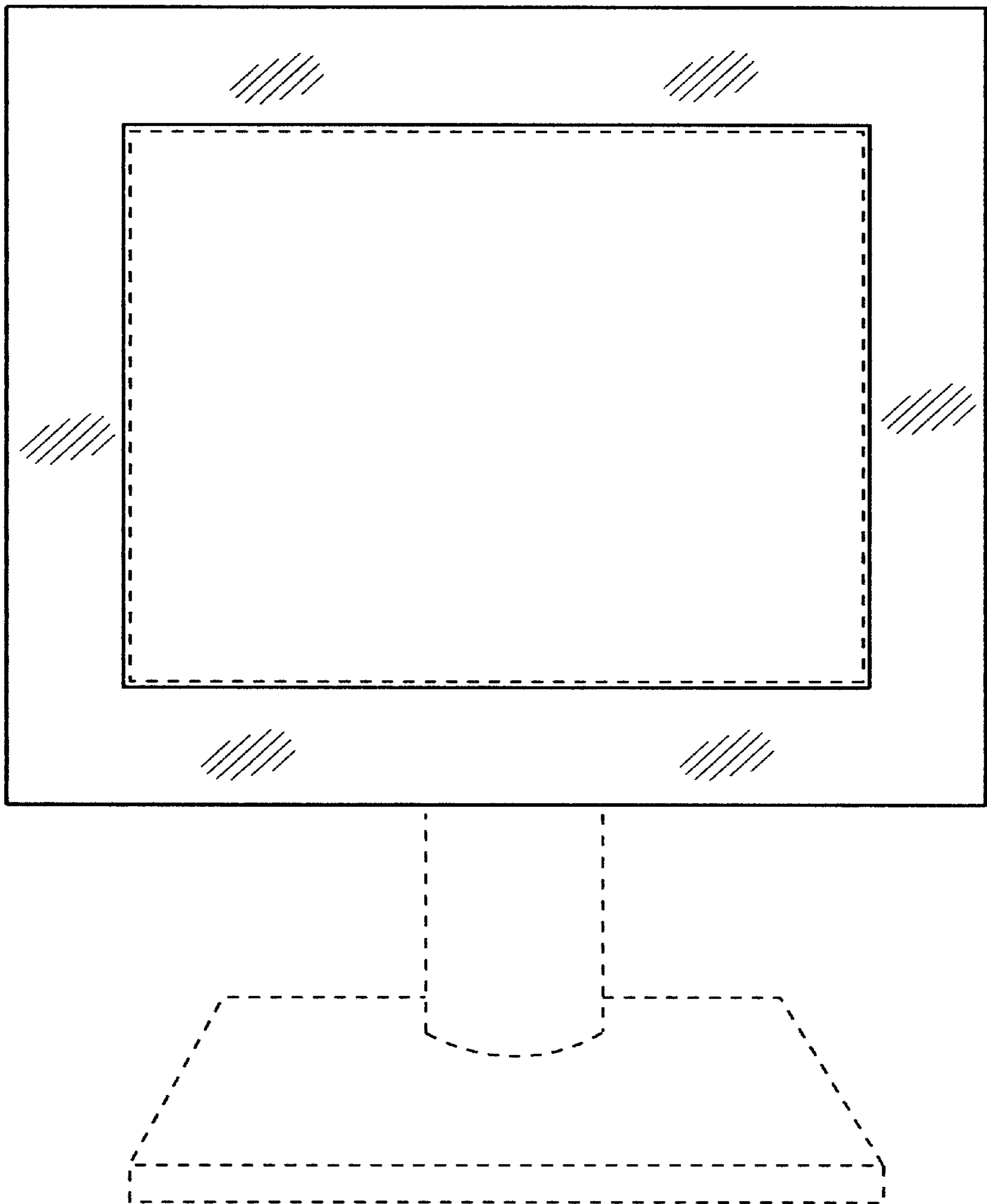




FIG. 22

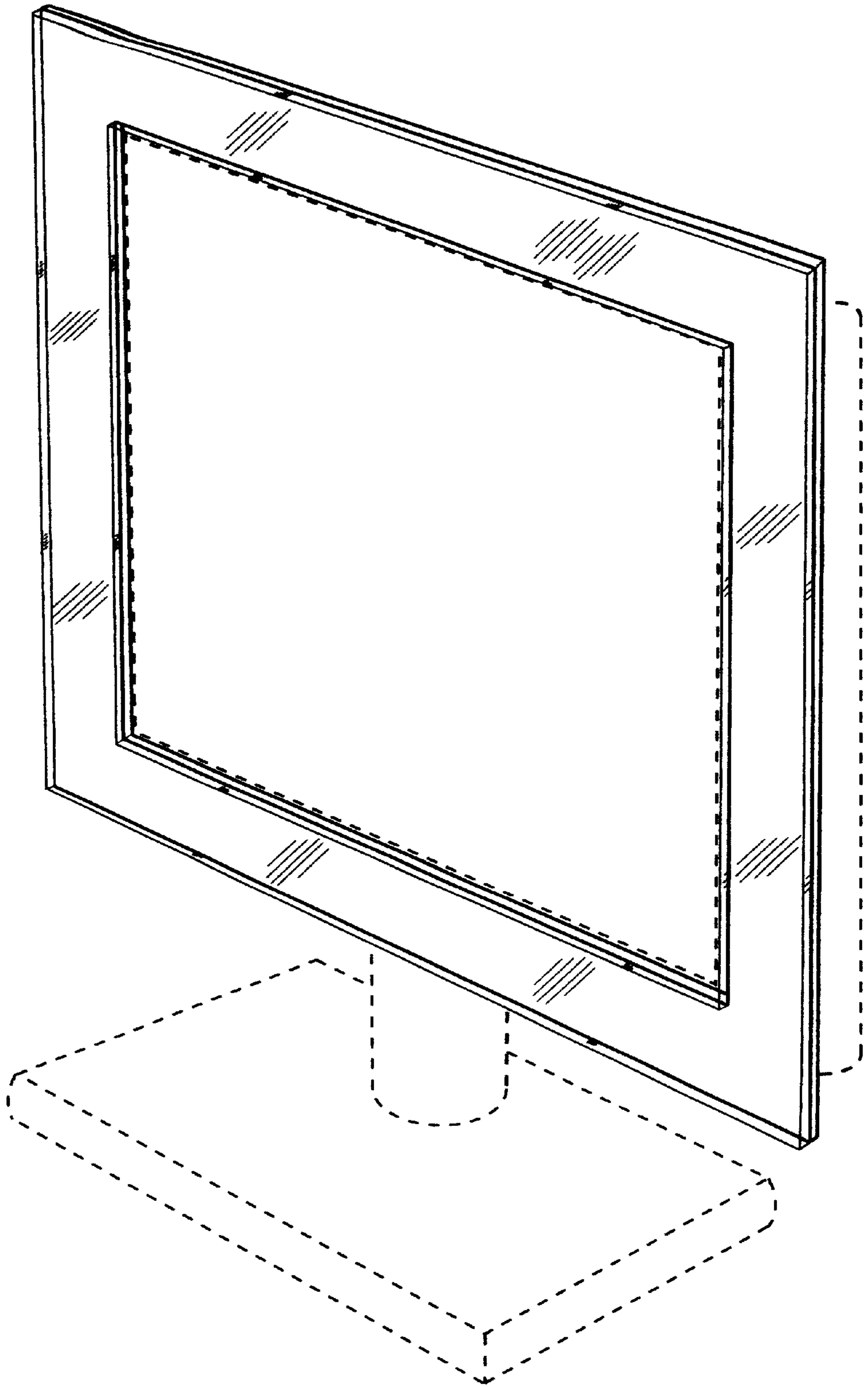


FIG. 23

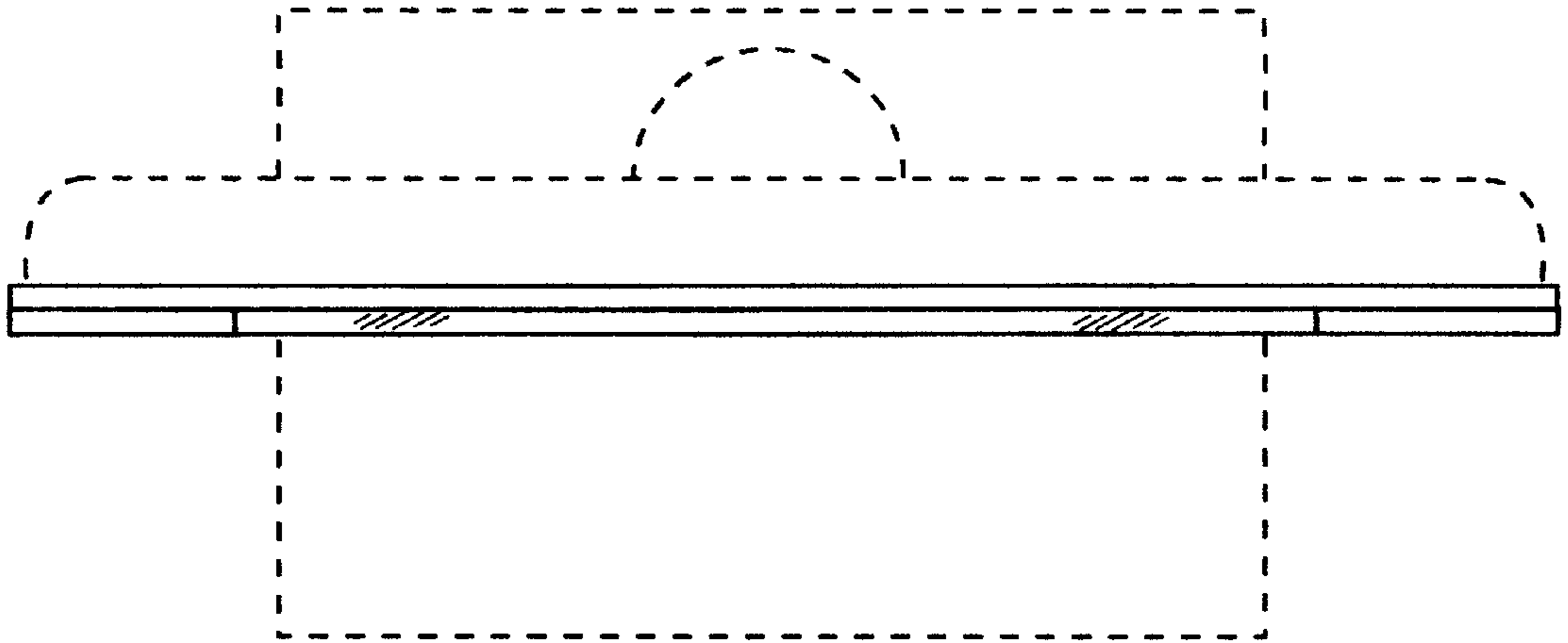


FIG. 24

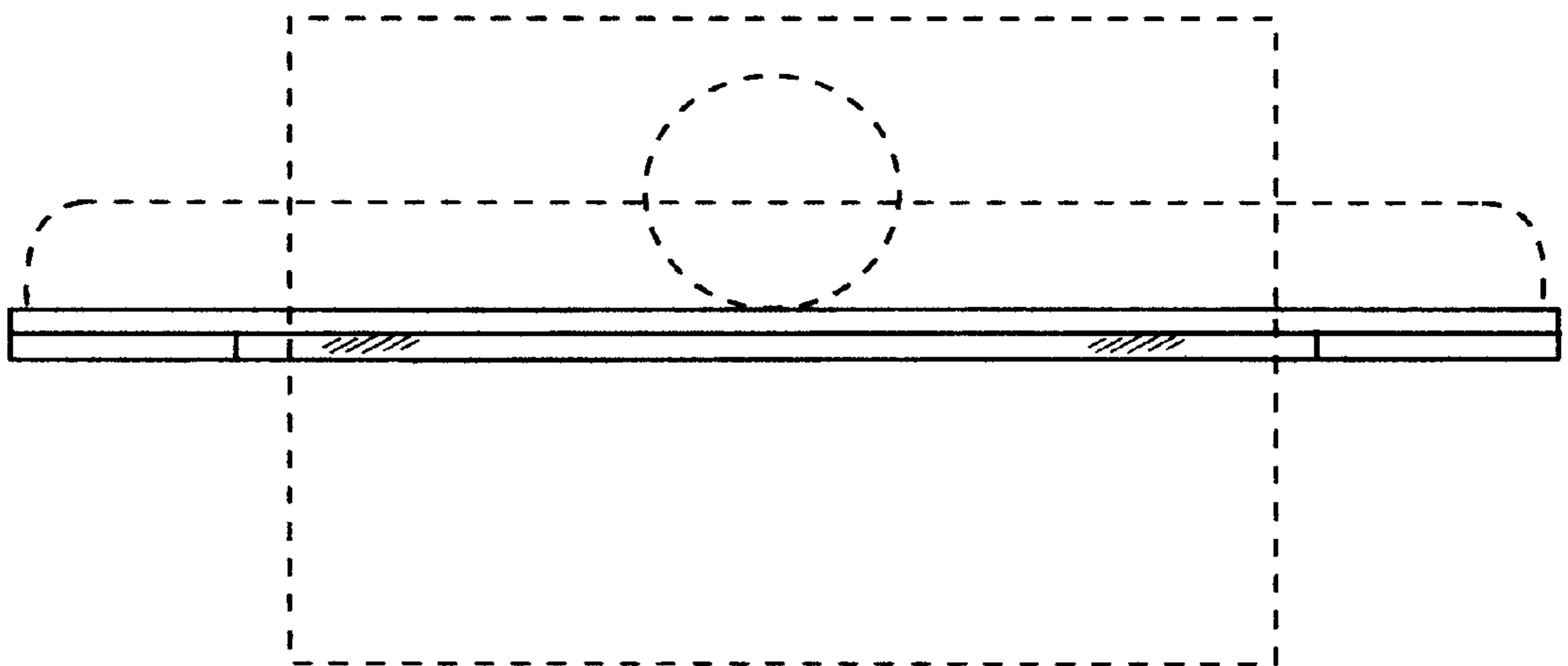


FIG. 25

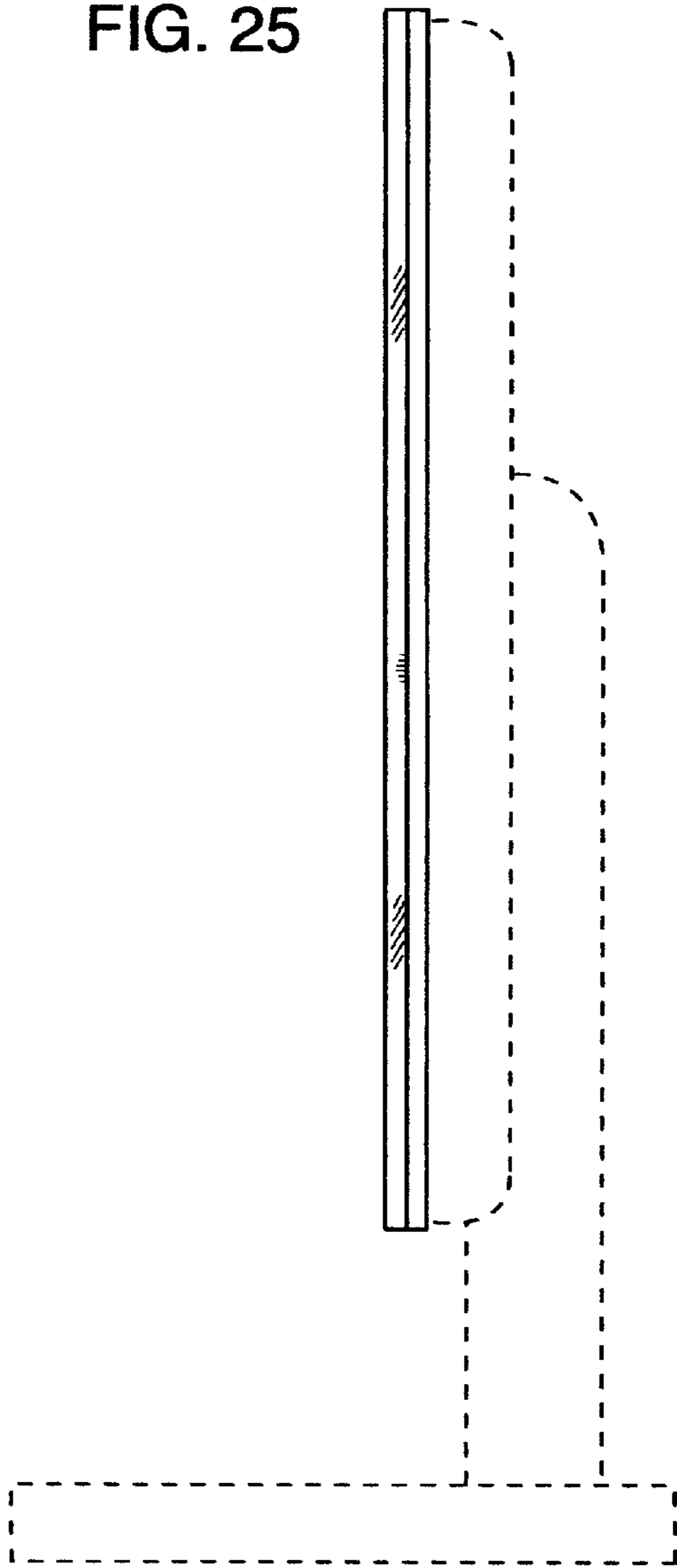


FIG. 26

