



US00D487270S

(12) **United States Design Patent**
Richter

(10) **Patent No.:** **US D487,270 S**

(45) **Date of Patent:** **** Mar. 2, 2004**

(54) **ARTICLE SUPPORT DEVICE**

(76) **Inventor:** **Herbert Richter**, Drosselweg 8, 75331 Engelbrand (DE)

(**) **Term:** **14 Years**

(21) **Appl. No.:** **29/182,904**

(22) **Filed:** **Jun. 3, 2003**

(51) **LOC (7) Cl.** **14-02**

(52) **U.S. Cl.** **D14/447**

(58) **Field of Search** D8/349, 354, 355, D8/373, 380, 71; D12/415; D14/142, 224, 229, 251, 252, 253, 375, 447, 451, 452; 248/124.1, 124.2, 125.1, 125.9, 205.5, 346.01, 346.03, 346.06, 346.5, 349.1, 371, 917, 918, 919, 920, 921, 922, 923, 924; 361/681, 682; 379/454, 455

(56) **References Cited**

U.S. PATENT DOCUMENTS

D269,945 S	*	8/1983	Carney	D14/251
D332,789 S	*	1/1993	Rak	D12/415
5,715,137 A	*	2/1998	Choi	361/681
D418,382 S	*	1/2000	Jones	D8/71
D419,415 S	*	1/2000	Richter	D8/71

6,354,552 B1	*	3/2002	Chiu	248/917
6,427,856 B1	*	8/2002	Allen	248/349.1
6,532,628 B2	*	3/2003	Kim	248/917

* cited by examiner

Primary Examiner—Doris V. Coles

Assistant Examiner—Elizabeth A. Albert

(74) *Attorney, Agent, or Firm*—Klaus J. Bach

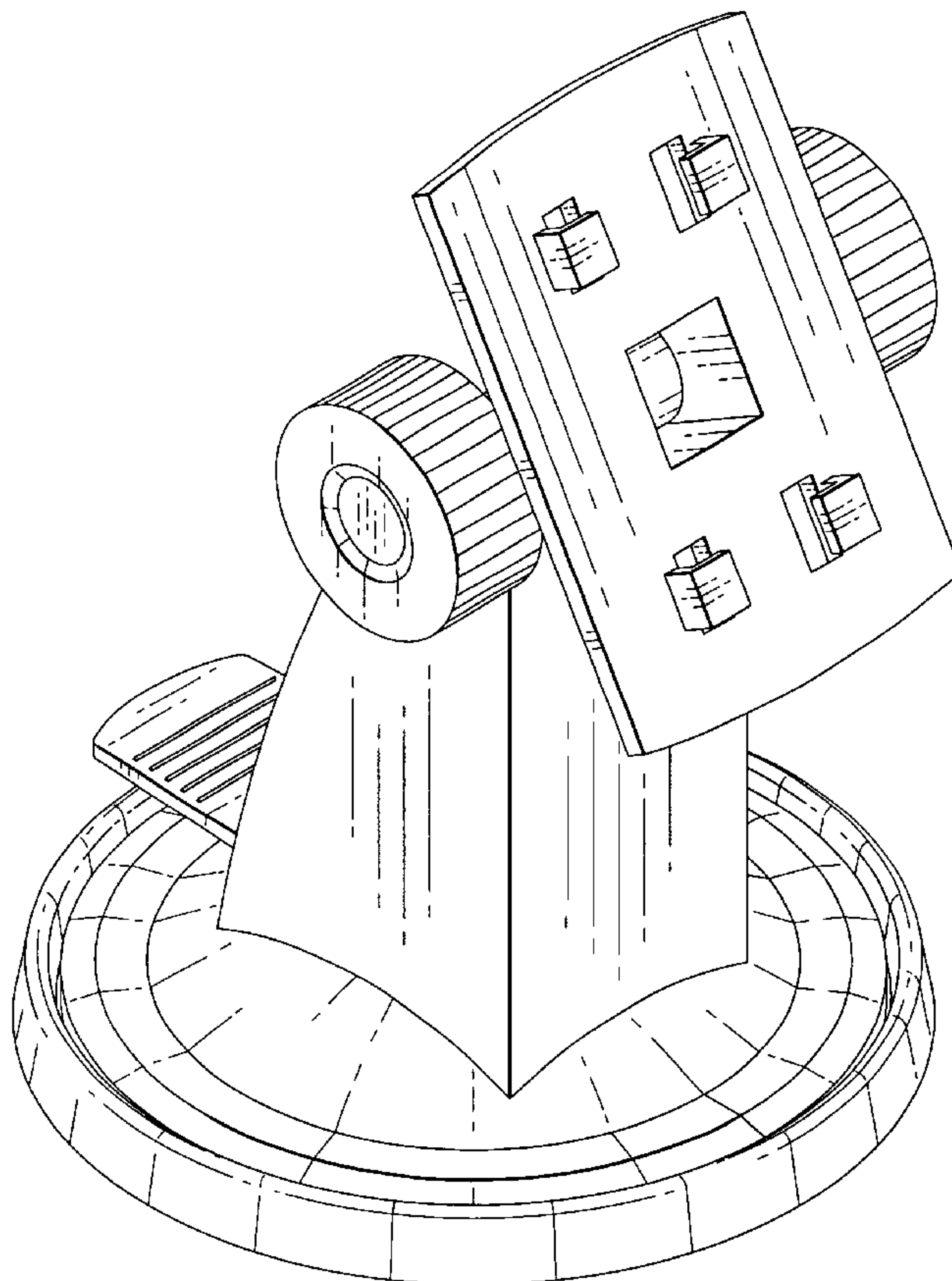
(57) **CLAIM**

The ornamental design for a article support device, as shown and described.

DESCRIPTION

FIG. 1 is a perspective view of an article support device, FIG. 2 is a left side view of the article support device shown in FIG. 1, a right side view being a mirror-reversed image of the left side view, FIG. 3 is a front view of the article support device shown in FIG. 1, FIG. 4 is a top end view of the article support device as shown in FIG. 3, FIG. 5 is a rear end view of the article support device as shown in FIG. 3; and, FIG. 6 is a bottom view of the article support device shown in FIG. 1.

1 Claim, 5 Drawing Sheets



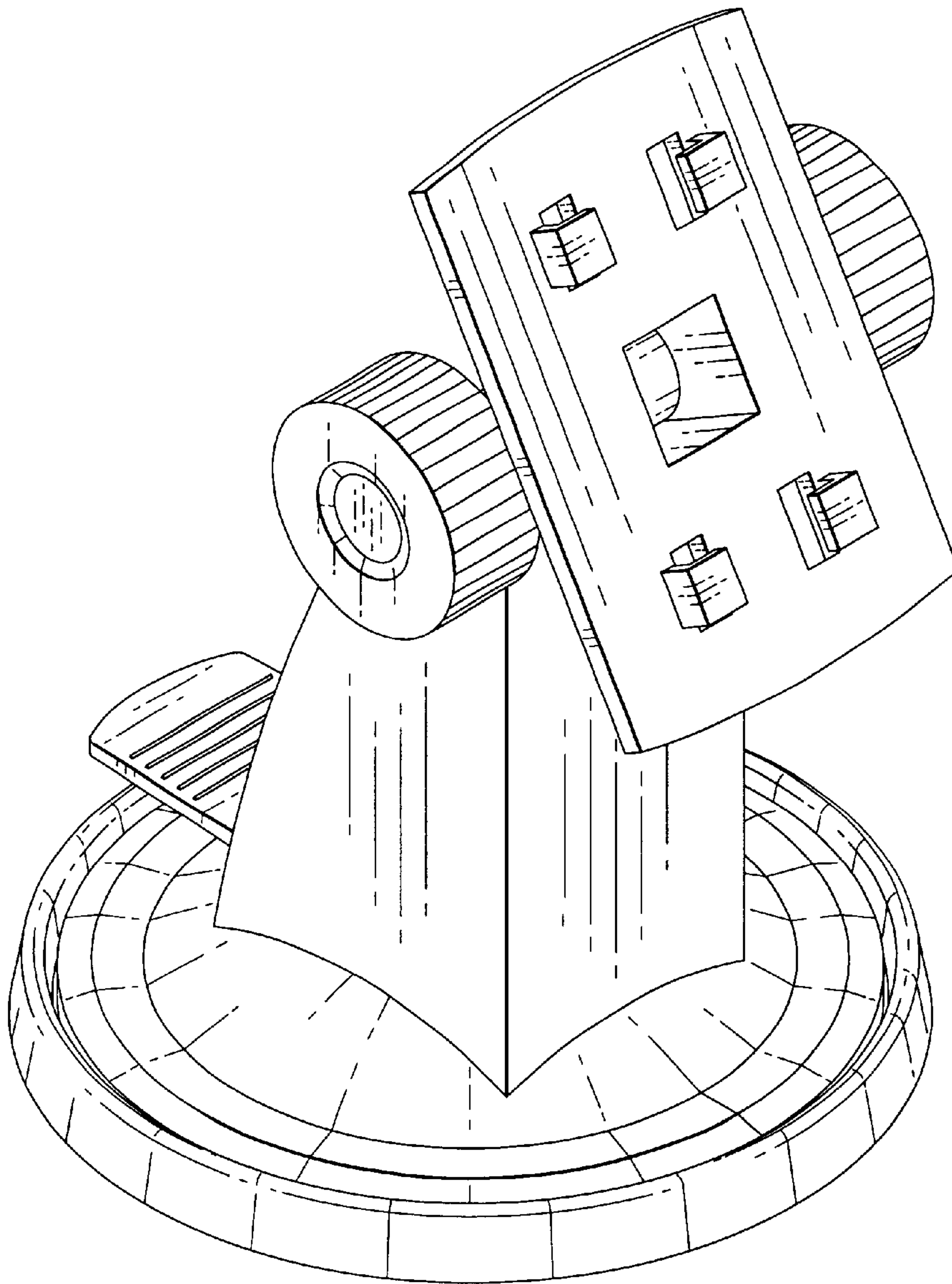


FIG. 1

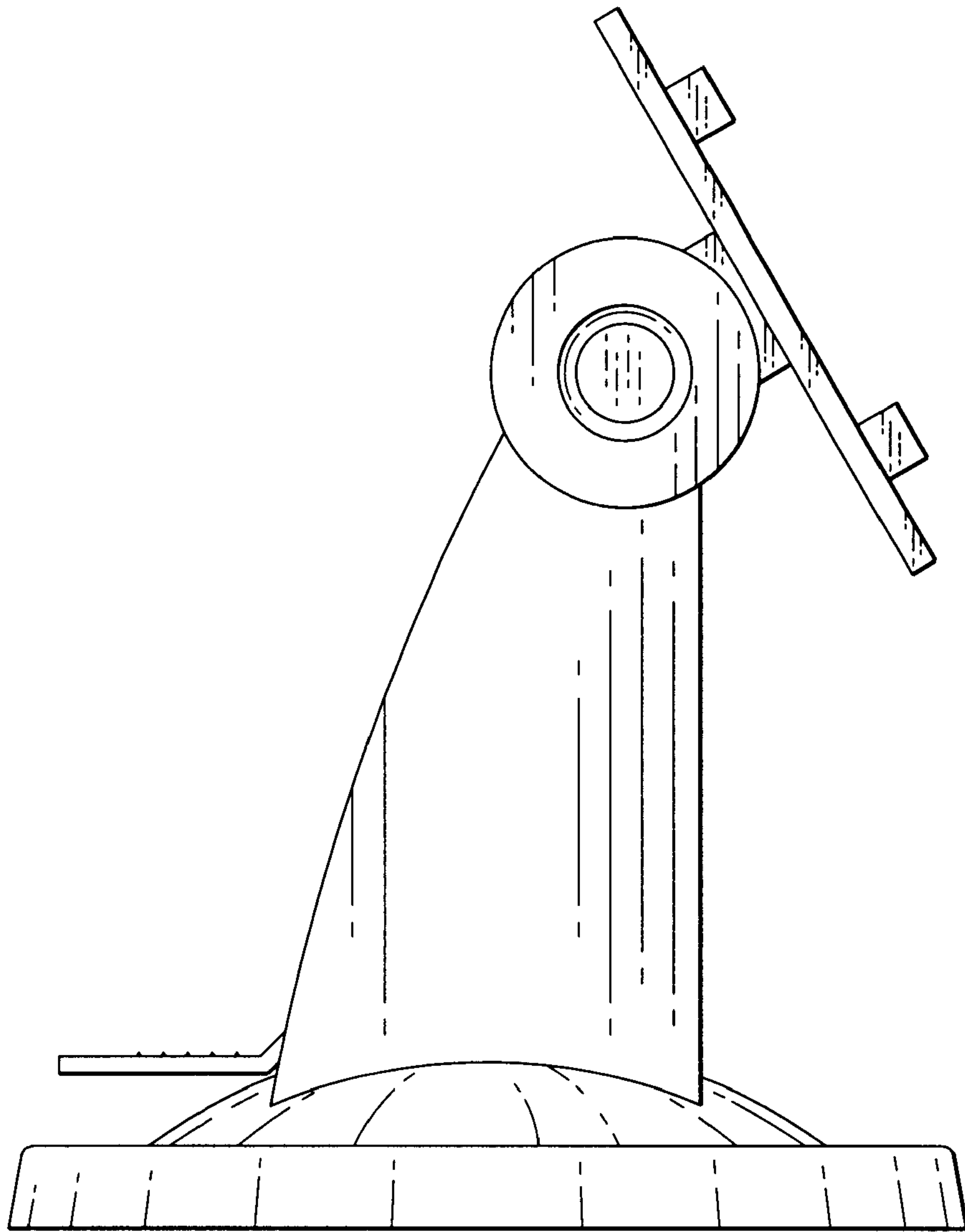


FIG. 2

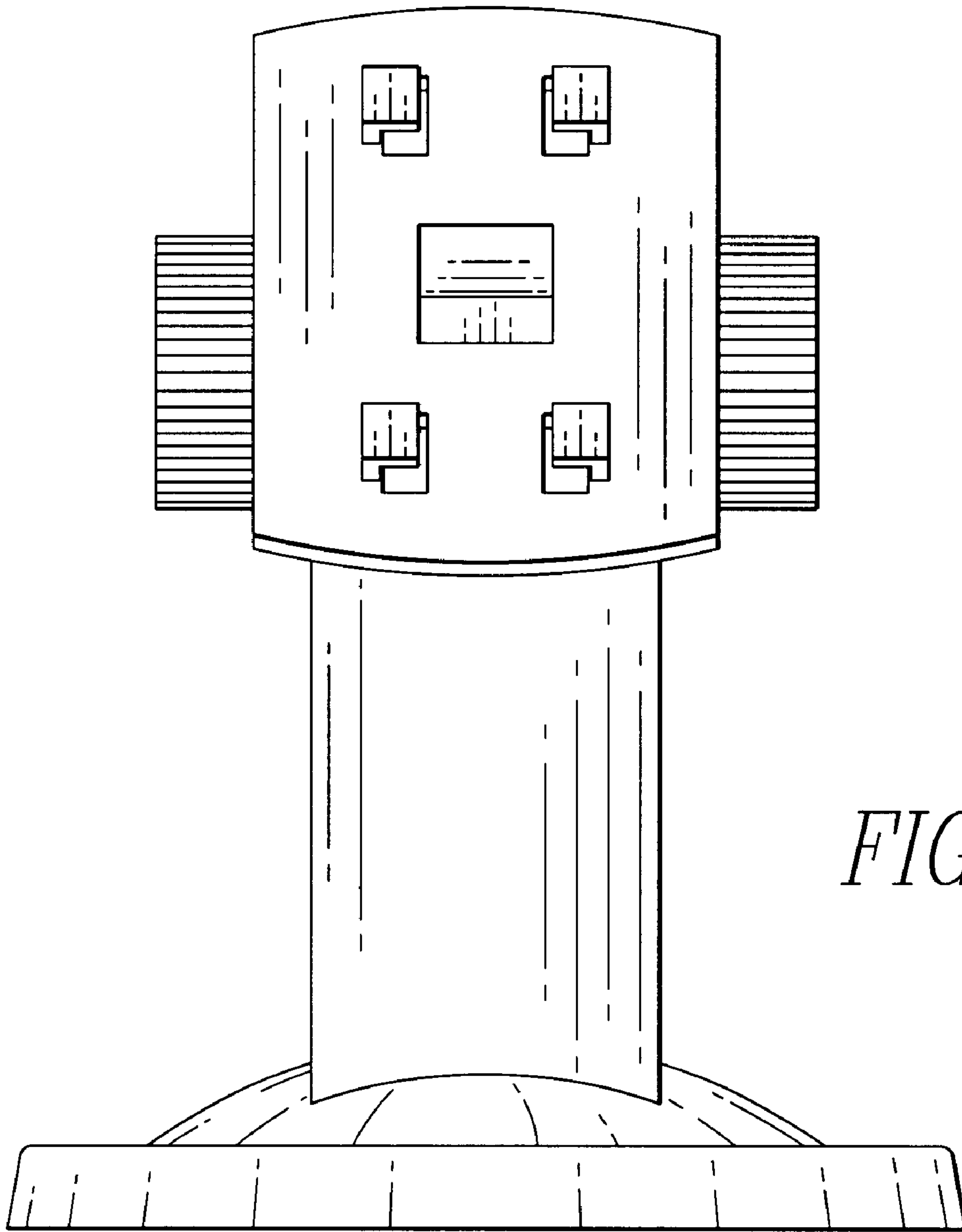


FIG. 3

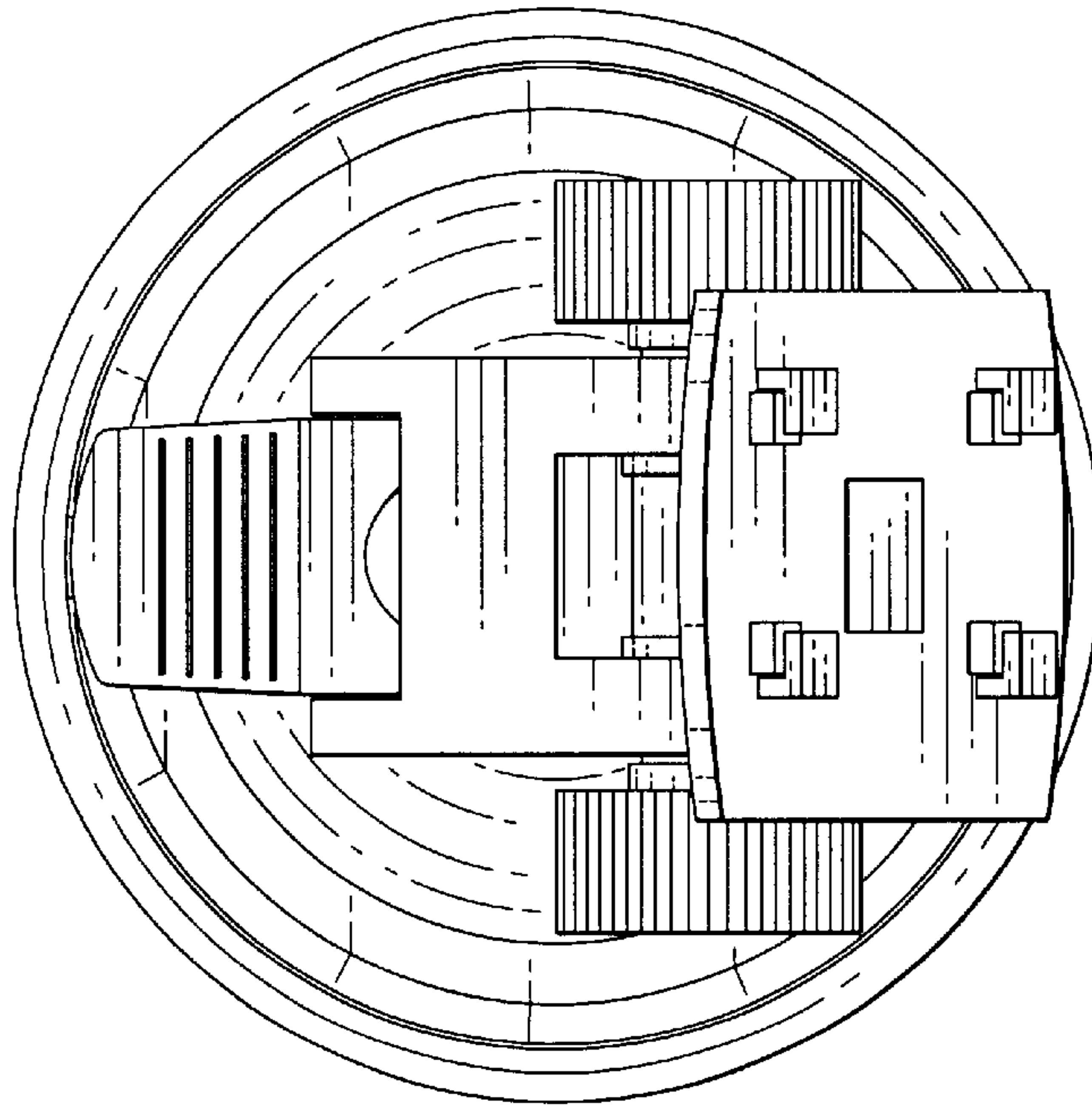


FIG. 4

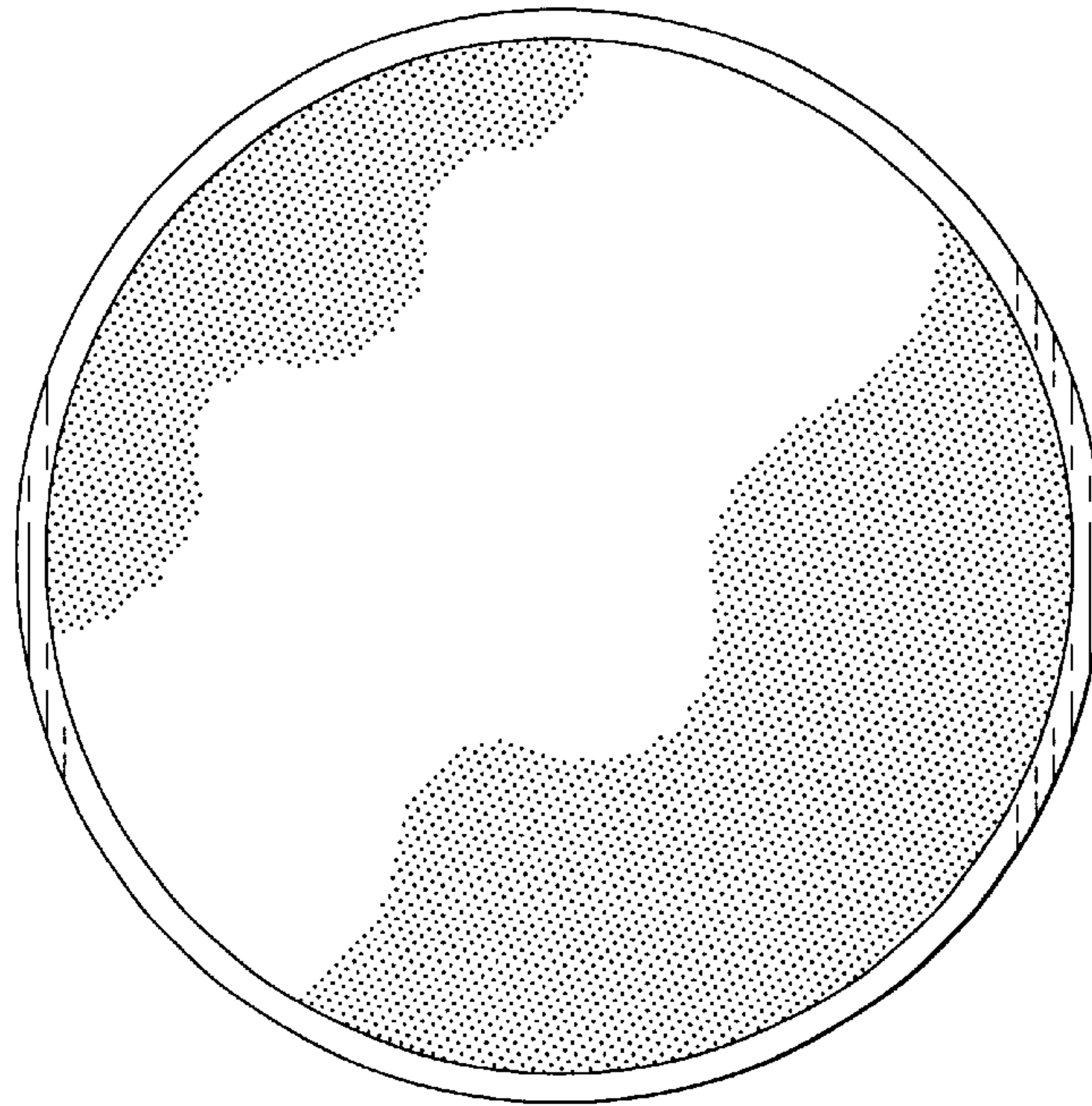


FIG. 6

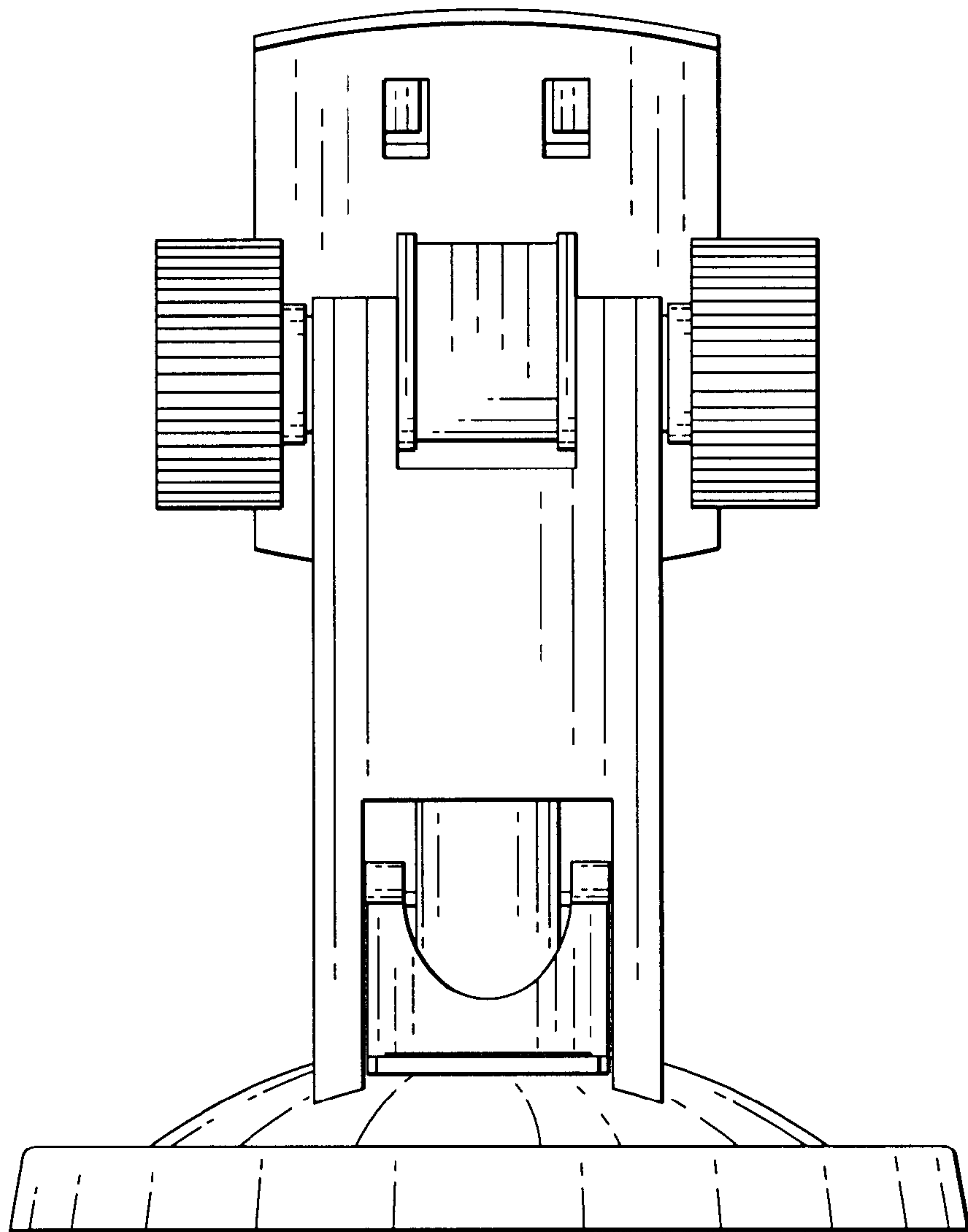


FIG. 5