



US00D487265S

(12) **United States Design Patent**
Kumano et al.

(10) **Patent No.:** **US D487,265 S**

(45) **Date of Patent:** **** Mar. 2, 2004**

(54) **COMPUTER**

(75) Inventors: **Daigaku Kumano**, Tokyo (JP); **Gisuke Ota**, Chiba (JP)

(73) Assignee: **Sony Corporation**, Tokyo (JP)

(**) Term: **14 Years**

(21) Appl. No.: **29/182,524**

(22) Filed: **May 29, 2003**

(51) **LOC (7) Cl.** **14-02**

(52) **U.S. Cl.** **D14/349**

(58) **Field of Search** D14/300, 301,
D14/308, 310, 312, 313, 348-355; 361/683,
724; 312/223.2

(56) **References Cited**

U.S. PATENT DOCUMENTS

D352,501 S	*	11/1994	Weaver et al.	D14/349
D380,203 S	*	6/1997	Stringer	D14/352
5,826,922 A	*	10/1998	Wernig	292/39
D401,573 S		11/1998	Goto		
D436,952 S		1/2001	Goto		
D449,298 S		10/2001	Matsuoka		
D466,506 S		12/2002	Matsuoka		

OTHER PUBLICATIONS

Catalog "Vaio", p. 24, Sony (Jan. 2003).
Web page "PC STATION SX6130/P71G1," <http://www.yodobashi.com/enjoy/i.jsp?oid=6786132>, 1 sheet, Yodobashi Camera (Feb. 2003).

* cited by examiner

Primary Examiner—Joel Sincavage
(74) *Attorney, Agent, or Firm*—Rader, Fishman & Grauer PLLC

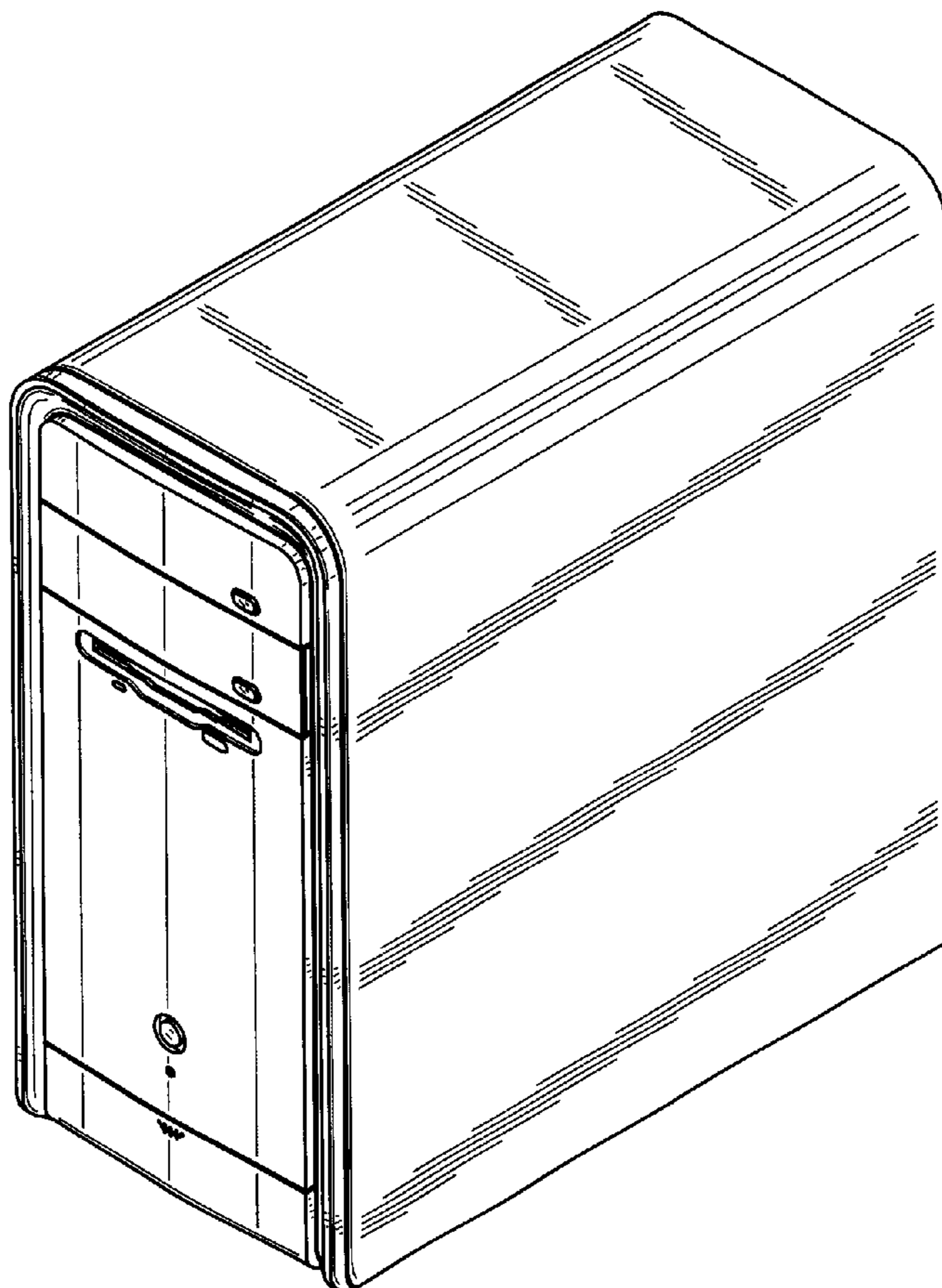
(57) **CLAIM**

The ornamental design for a computer, as shown.

DESCRIPTION

FIG. 1 is a perspective view of a computer showing our new design;
FIG. 2 is a front elevational view thereof;
FIG. 3 is a rear elevational view thereof;
FIG. 4 is a left side elevational view thereof;
FIG. 5 is a right side elevational view thereof;
FIG. 6 is a top plan view thereof; and,
FIG. 7 is a bottom plan view thereof.

1 Claim, 4 Drawing Sheets



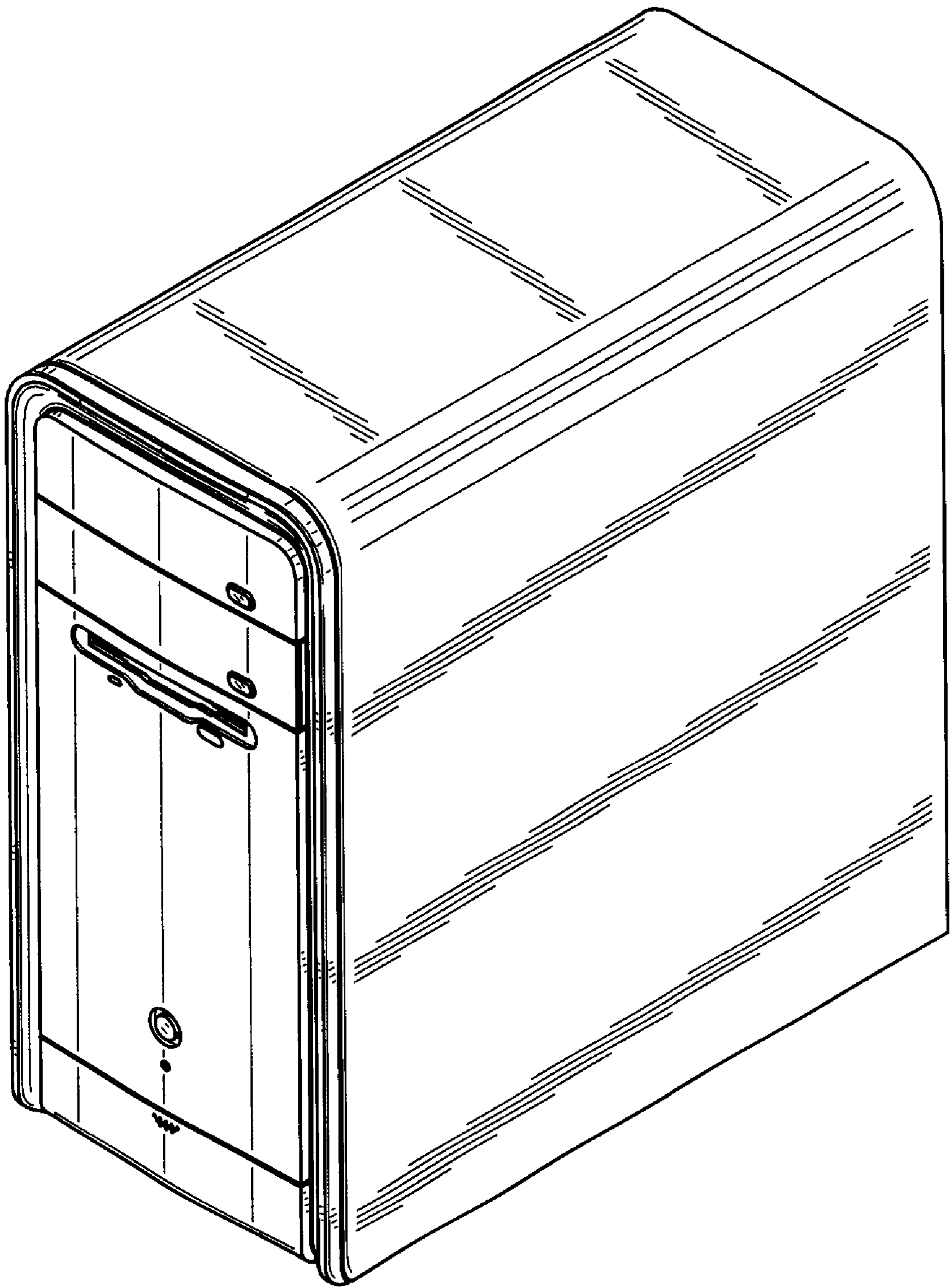


FIG. 1

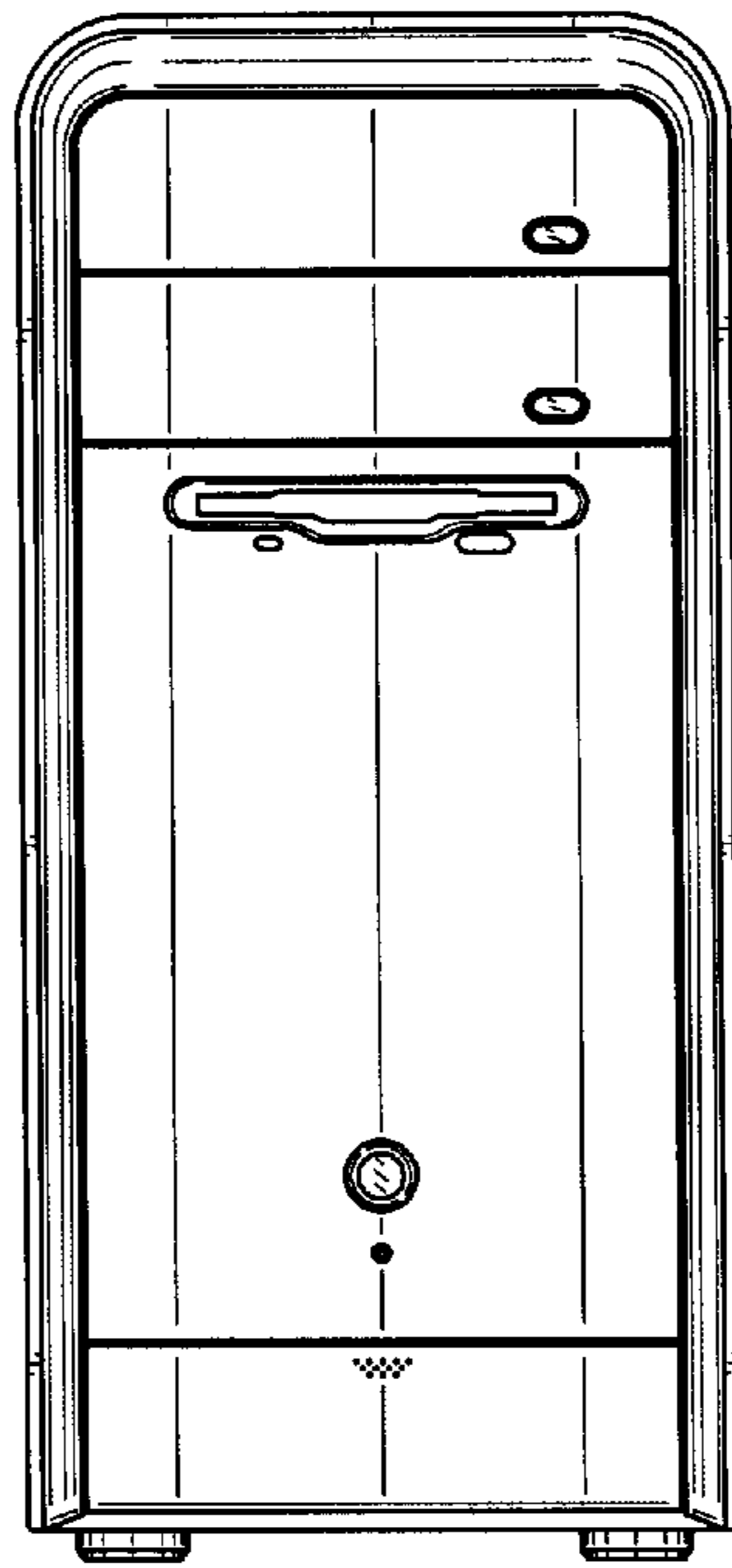


FIG. 2

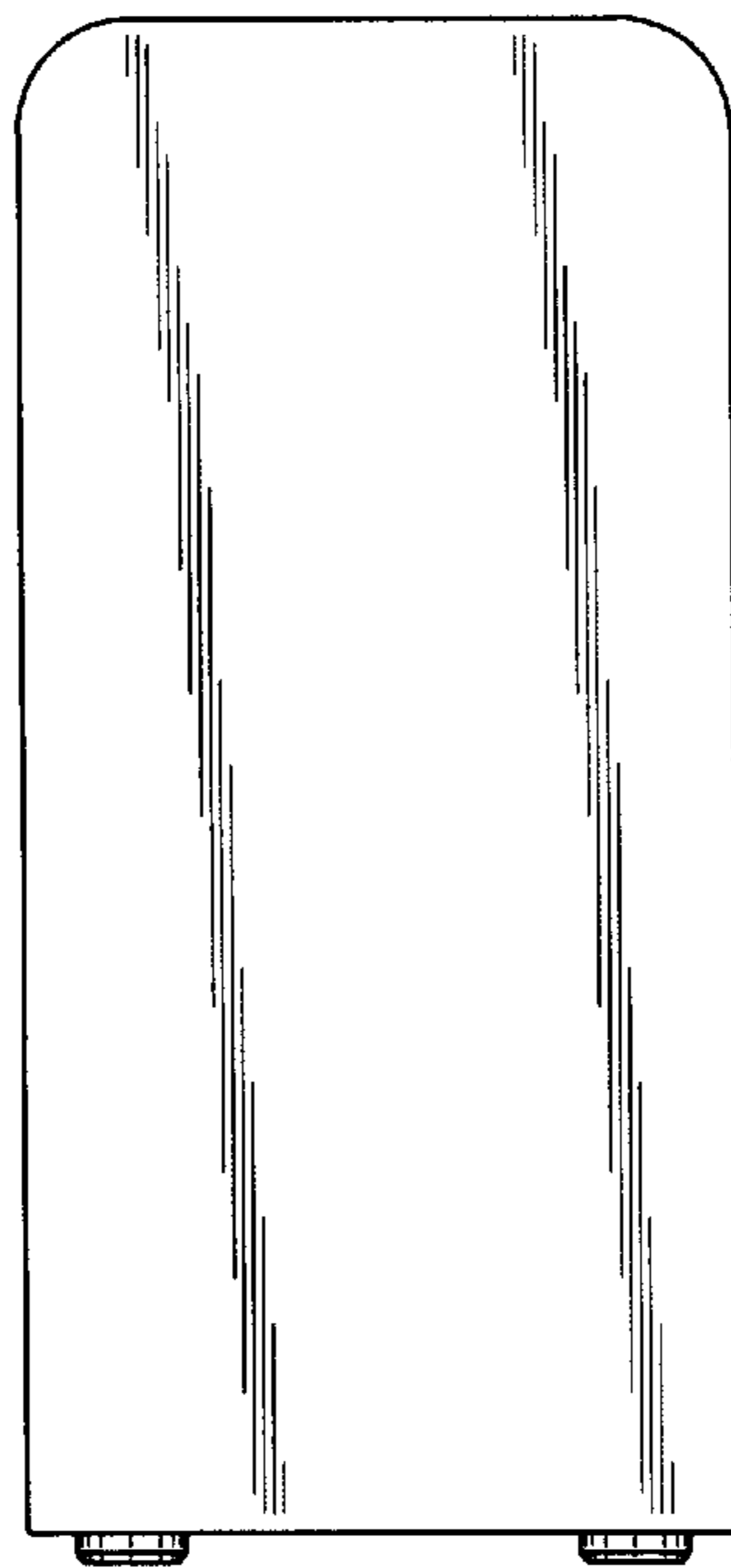


FIG. 3

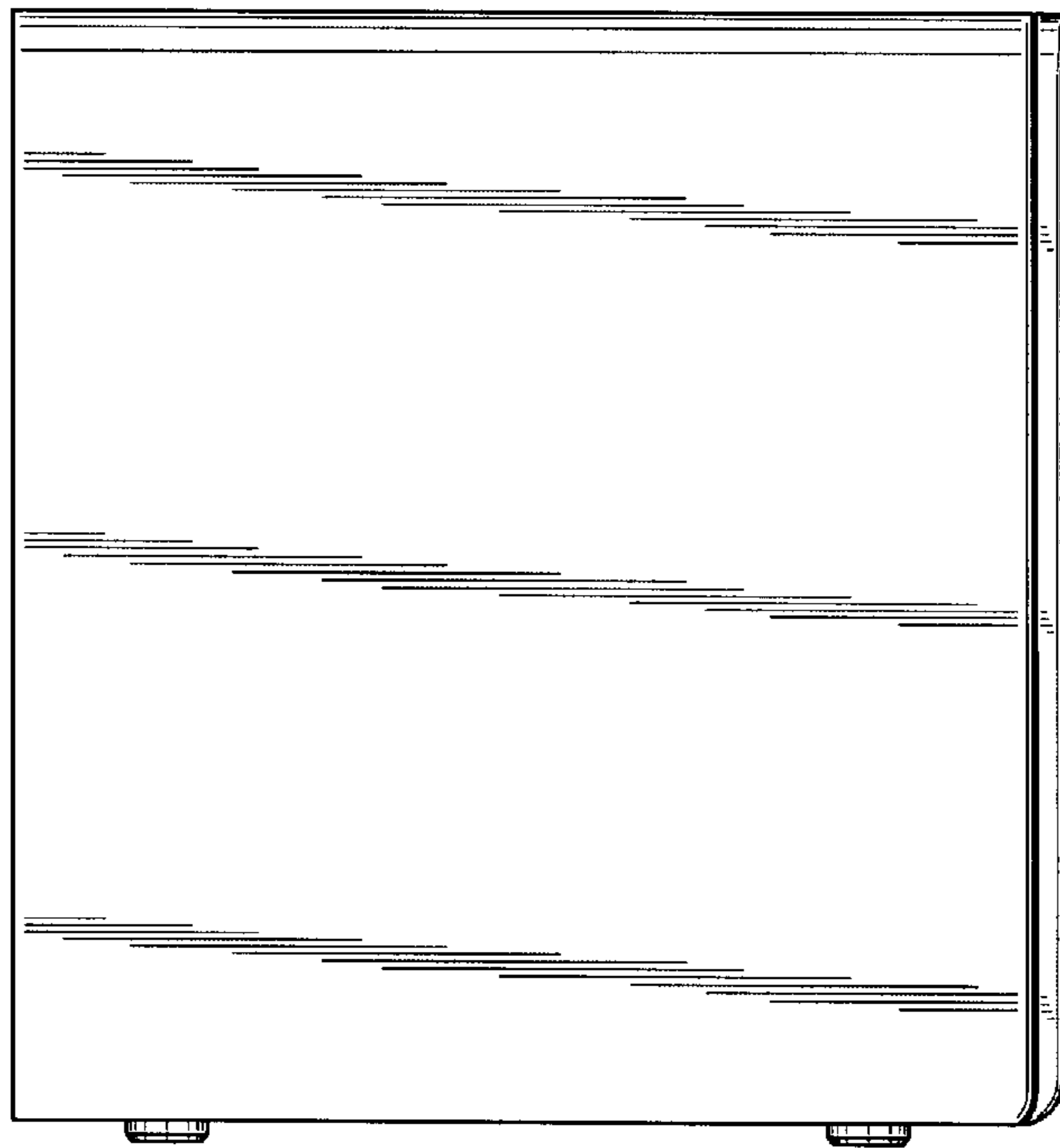


FIG. 4

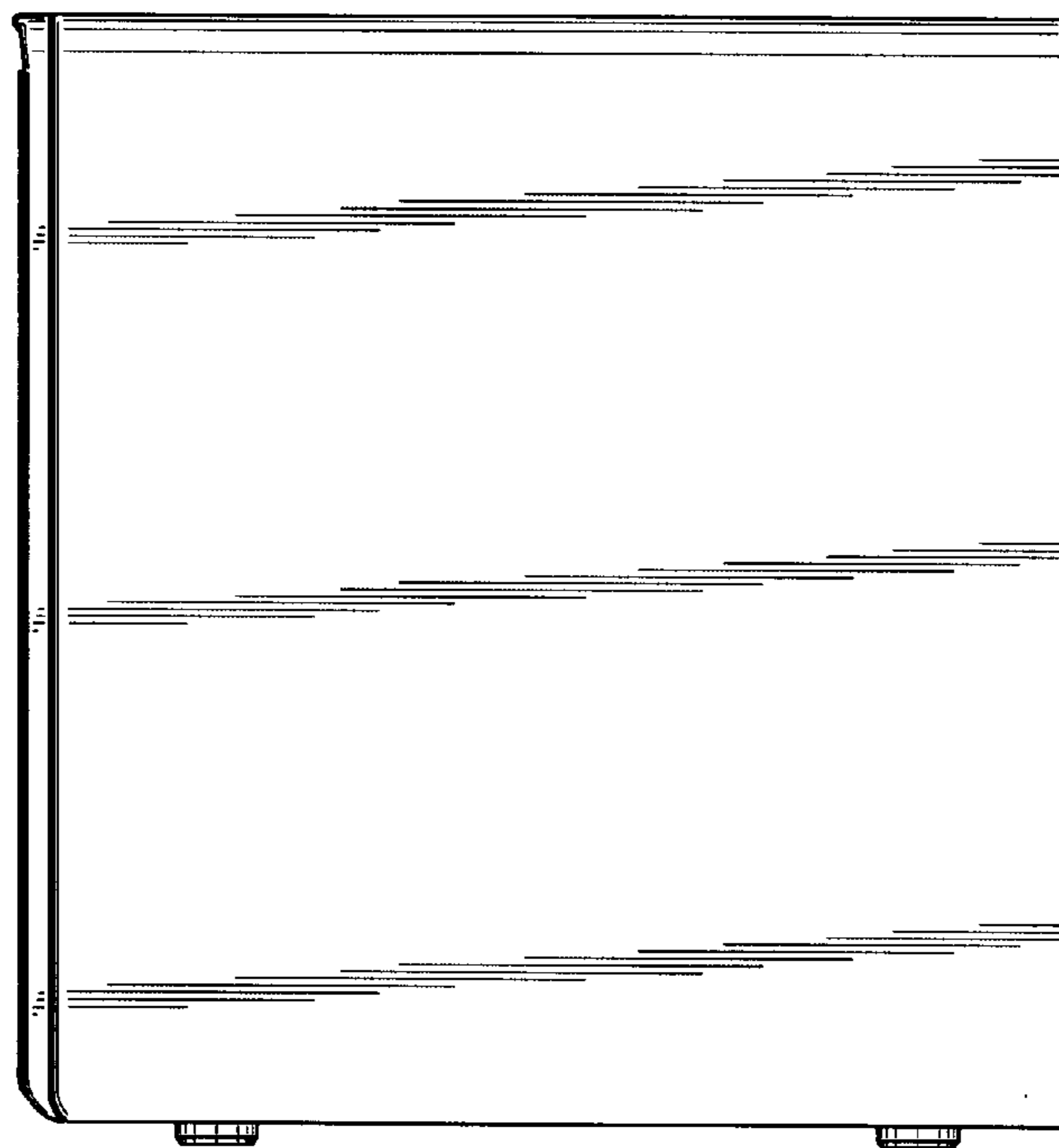


FIG. 5

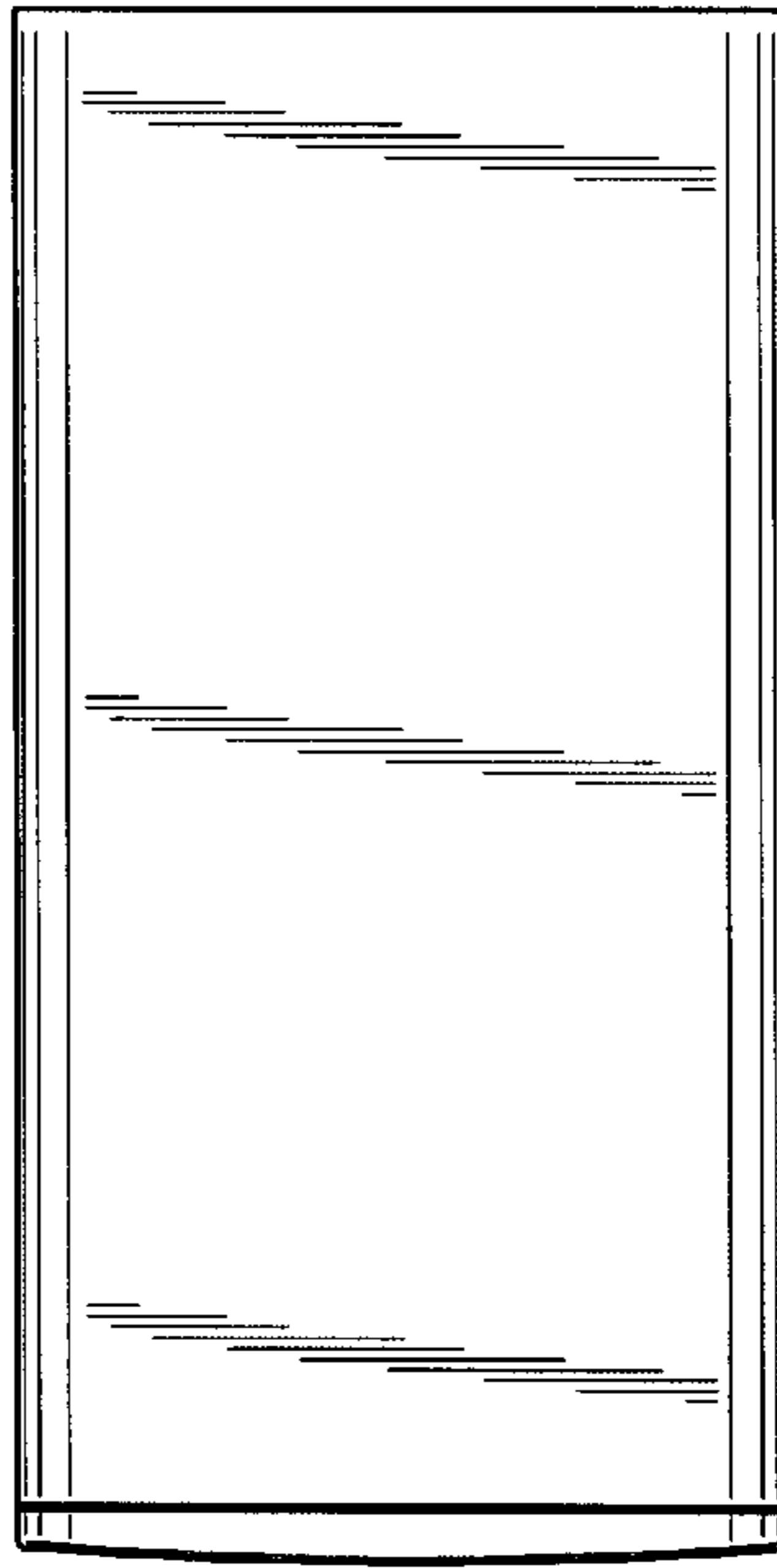


FIG. 6

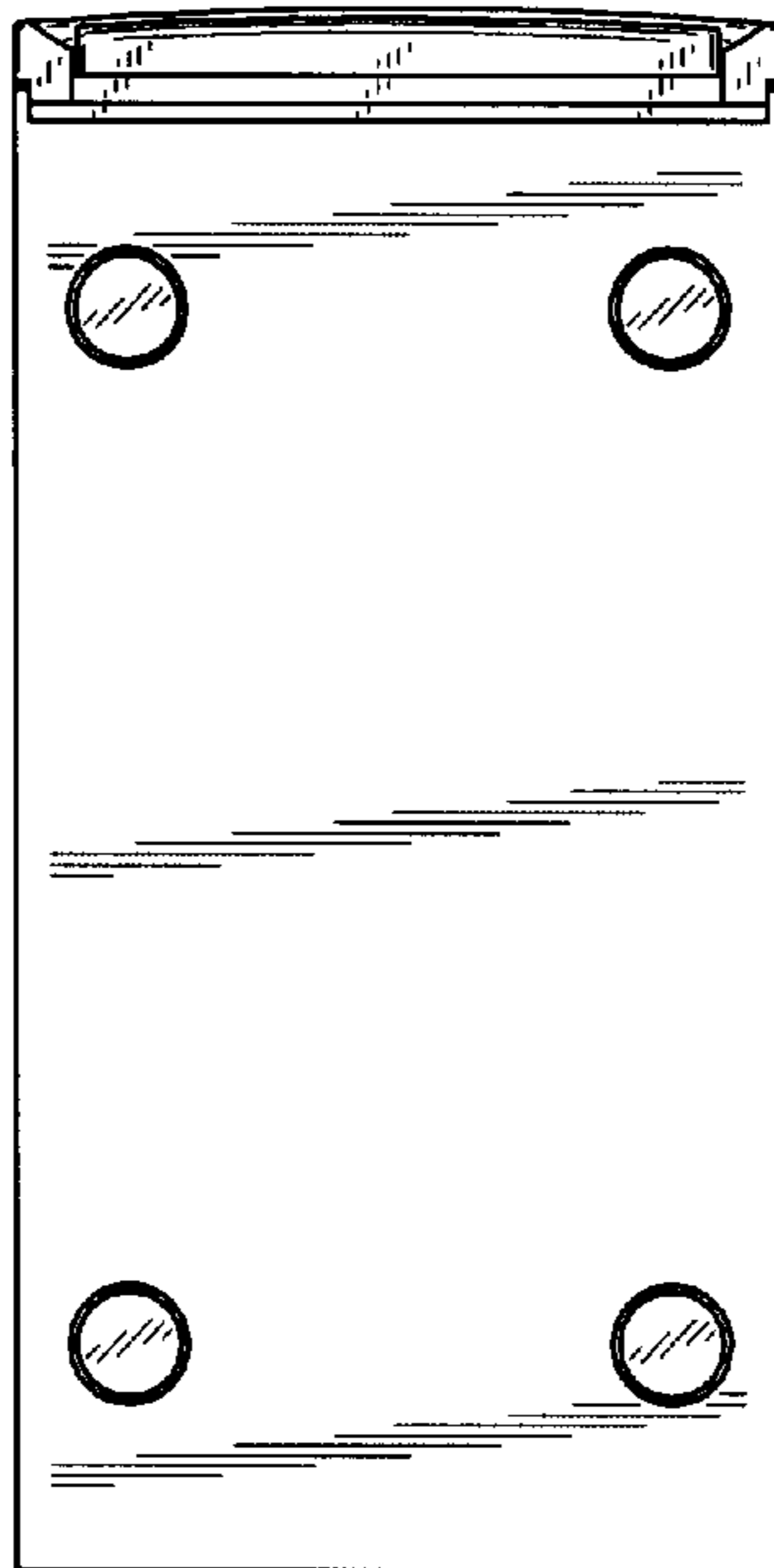


FIG. 7